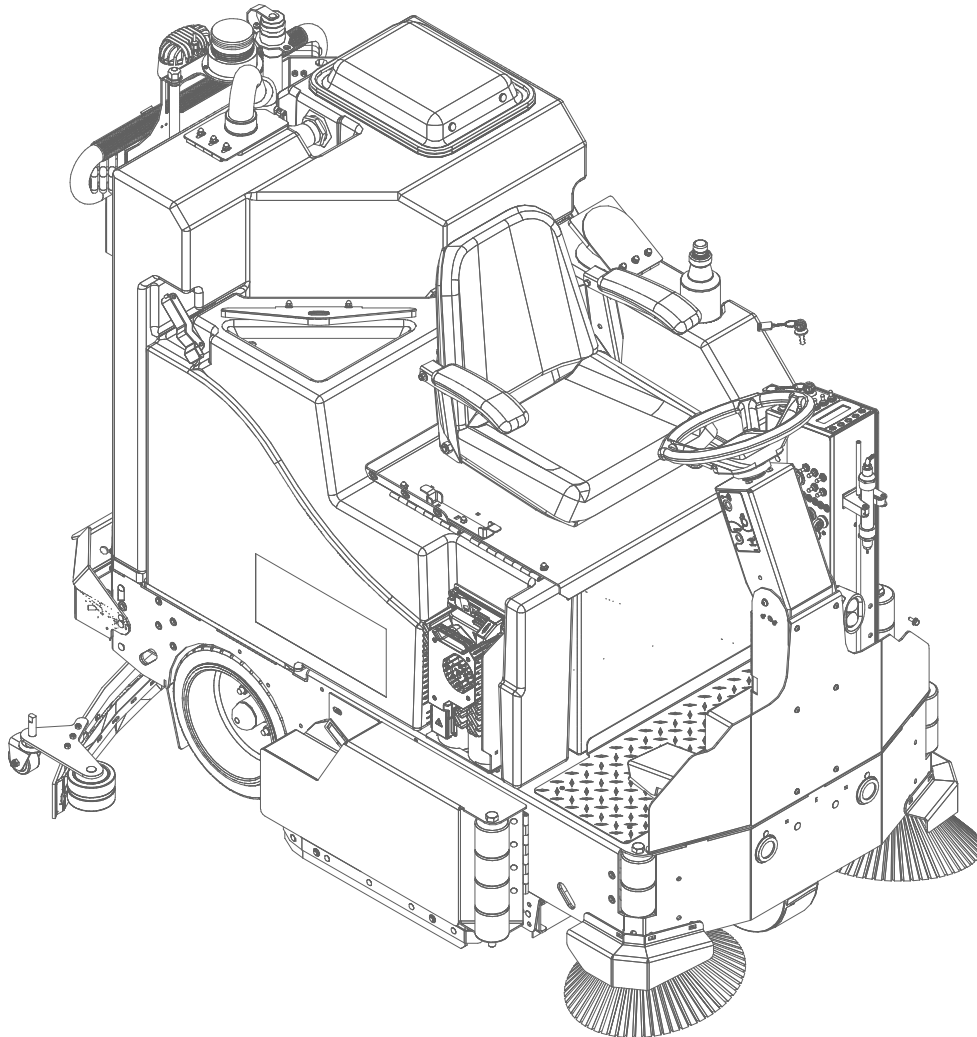


## Parts Manual (EN)



Read Operation Instructions  
before using the machine.



Read the Safety Messages  
before using the machine.

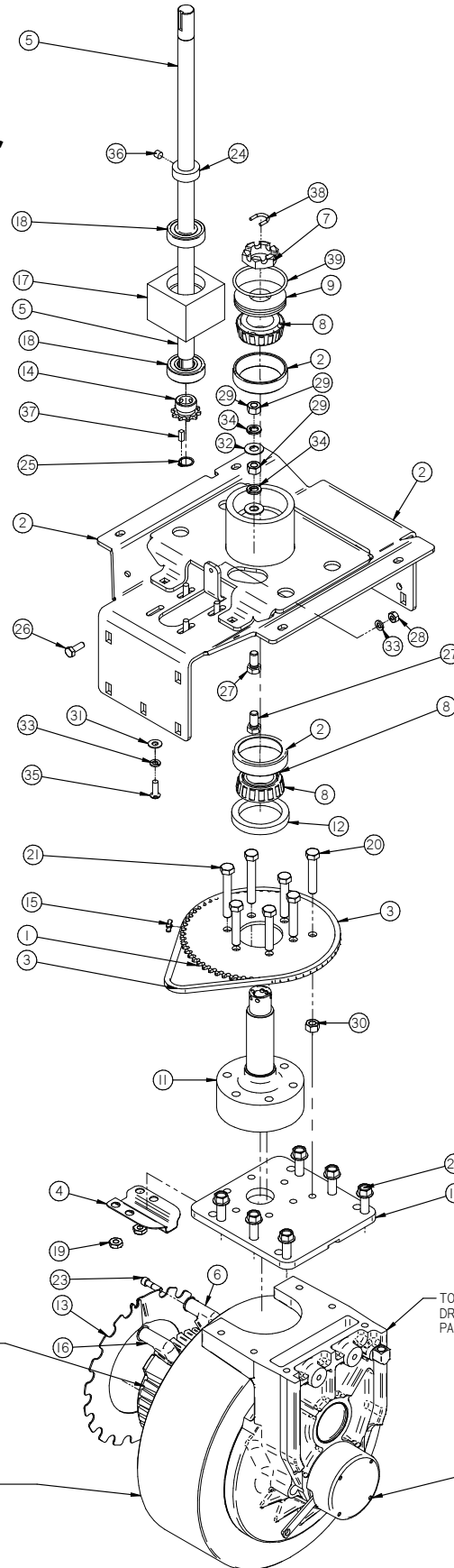


---

Front Wheel Drive.....	4
Front Wheel Drive.....	5
Side Brooms.....	6
Front Wheel, Side Brooms, and Side Rollers.....	7
Attaching Decks.....	8
Disk Shrouds.....	9
Disk Decks.....	10
Cylindrical Actuator Lift.....	11
Cylindrical Decks.....	12
Cylindrical Decks.....	13
Cylindrical Wipers.....	14
Cylindrical Doors.....	15
Squeegee Swing Trail Arm - Standard.....	16
Squeegee Actuator lift.....	17
Squeegees.....	18
Attaching Squeegee Trail Arm, Bumper, & Axle.....	19
Solution System.....	20
ZERO3 System.....	21
Suds System.....	22
Solution Tank.....	23
Recovery Tank.....	24
Vacuum Box Assembly.....	25
Attaching Tanks & Batteries.....	26
Utility Bracket.....	27
Charger.....	28
Rear Charger.....	29
Legacy Central Command.....	30
Military Central Command.....	32
Touch Central Command.....	34
Steering Column.....	36
Attaching Steering Column & Central Command.....	37
40" Side Doors.....	38
46" Side Doors.....	39
Suds Jug.....	40
Overhead Guard.....	41
Schematics.....	42
Schematics.....	43
Common Wear Parts.....	45
Decals.....	46

## Used on machines with serial # 139055 & lower

Item	Part No.	Part Description	Qty.
1	250-7314	60 TOOTH STEERING SPROCKET	1
2	250-7320A	12" DROP PLATE	1
3	250-7327	STEERING CHAIN	1
4	250-7328	WIRE GUIDE	2
5	275-7120	STEERING SHAFT, LOWER	1
6	290-2780	TERMINAL BOOT, BLACK	1
7	37-7321	SLOTTED NUT, 2.0 - 12	1
8	370-7317	TAPERED ROLLER BEARING	2
9	370-7321	PRE LOAD SLEEVE	1
10	370-7326	PIVOT PLATE	3
11	370-7332	1.25" DIA STEERING SPINDLE	1
12	370-8374	BEARING SEAL	1
13	370-9557	DRIVE GUARD	2
14	5-826	10 TOOTH SPROCKET 5/8 SHAFT	1
15	5-831	MASTER LINK	1
16	8-278	TERMINAL BOOT, RED	1
17	8-723	BEARING BLOCK	1
18	8-723B	1-3/4 X 3/4" ROLLER BEARING	2
19	H-0171004	JNYL 3/8- 24 SS	2
20	H-0172949	HCS 3/8"- 24 X 2" SS FULL THREADED	5
21	H-0172951	HCS 3/8"- 24 X 2-1/2" SS FULL THREADED	2
22	H-11115680	FB CASHD M10-1.5 X 30mm	6
23	H-23805	SHCS 1/4-28 X 7/8" GRADE 8 ALLOY	18
24	H-33376	SHAFT COLLAR, 3/4" ID X 9/16 LG	1
25	H-68013	SNAPRING	1
26	H-70003	HCS 1/4"-20 X 3/4" SS	1
27	H-70103	HCS 3/8"-16 X 3/4" SS	2
28	H-70710	HN 1/4"- 20 SS	1
29	H-70712	HN 3/8"-16 SS	2
30	H-70732	HN 3/8"- 24 SS	1
31	H-71013	FW 1/4 ID X 5/8 OD SS	4
32	H-71017	FW 3/8 ID X 7/8 OD SS	2
33	H-71063	LW 1/4" SS	5
34	H-71067	LW 3/8" SS	2
35	H-73754	BHSCS 1/4 - 20 X 3/4" SS	4
36	H-81983	5/16" X 1/4" KURL SET SCREW	1
37	H-K1432	3/16" X 1/2" KEY	1
38	M-9381T24	S-HOOK	1
39	M-9452K66	.125 X 2.25 X 2.5 0-RING.par	1



TO ORDER 12" MOTOR SEPARATELY USE PART #370-8311D  
FOR BRUSH KIT USE PART #250-6182

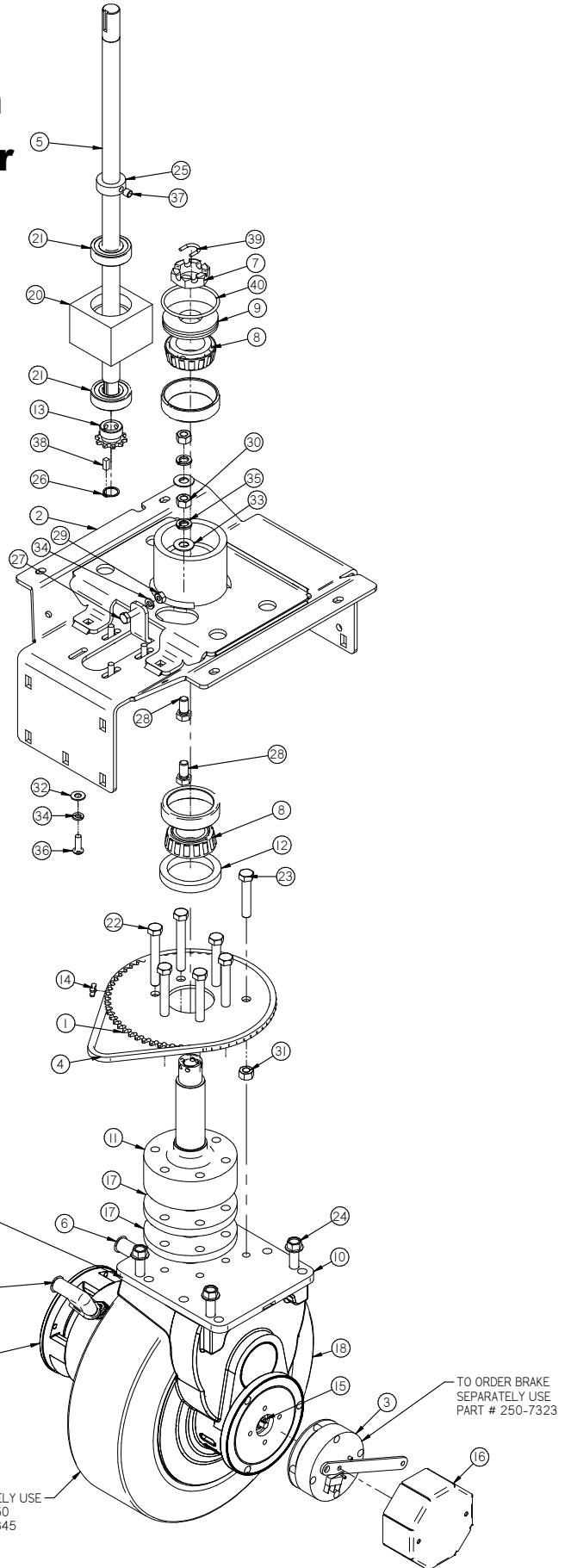
TO ORDER COMPLETE  
DRIVE UNIT USE  
PART # 370-8310D

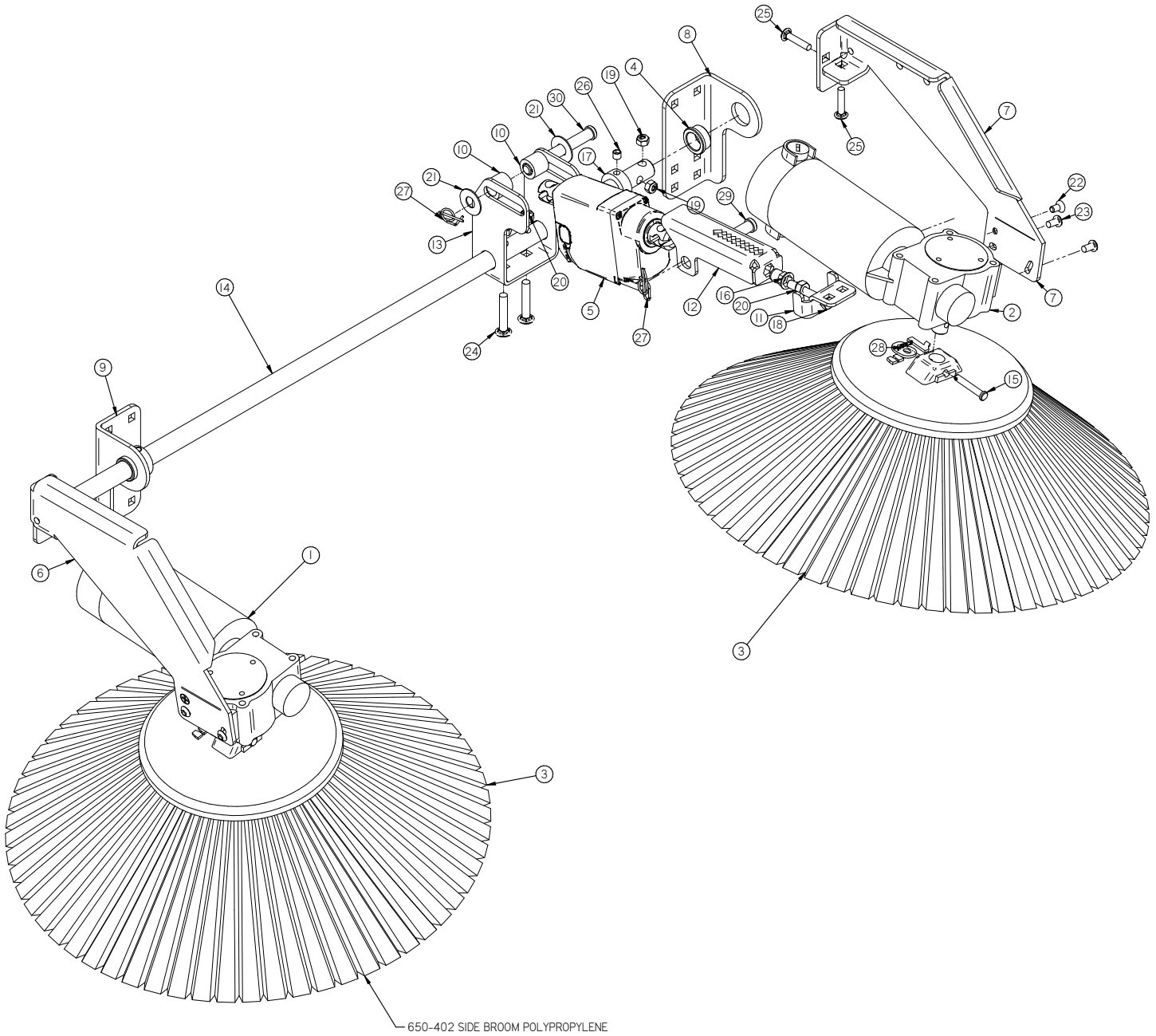
TO ORDER 12" TIRE USE PART  
GREY X GROOVE 290-7320  
BLACK HYTRAQ X MODIFIED GROOVE 370-8315  
P-7 X GROOVE 290-7315

TO ORDER BRAKE SEPARATELY  
USE PART #250-7323D

**Used on machines with  
serial #139056 & higher**

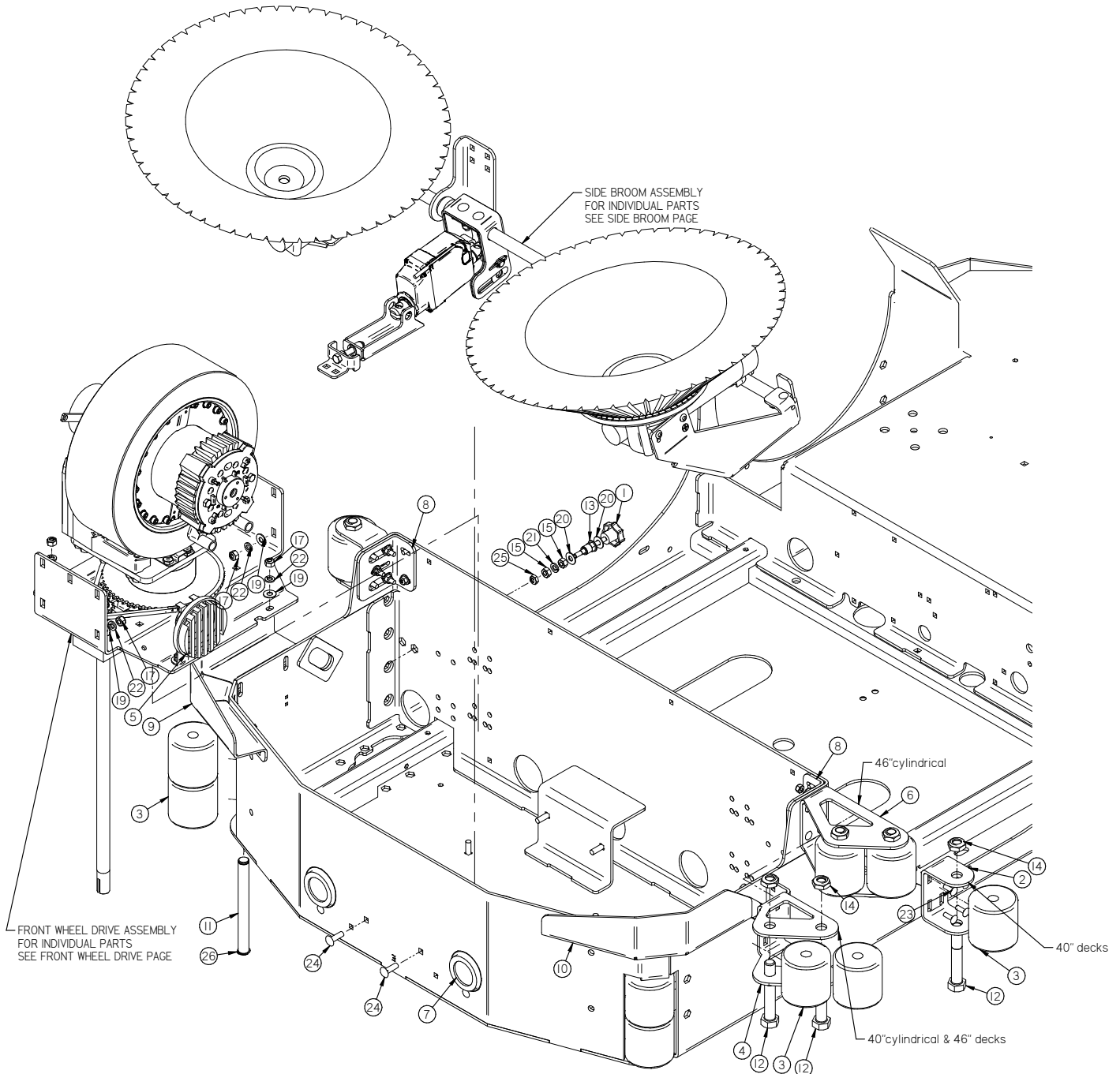
Item	Part No.	Part Description	Qty.
1	250-7314	60 TOOTH STEERING SPROCKET	1
2	250-7320A	12" DROP PLATE	1
3	250-7323	PARKING BRAKE	1
4	250-7327	STEERING CHAIN	1
5	275-7120	STEERING SHAFT, LOWER	1
6	290-2780	TERMINAL BOOT, BLACK	1
7	37-7321	SLOTTED NUT, 2.0 - 12	1
8	370-7317	TAPERED ROLLER BEARING	2
9	370-7321	PRE LOAD SLEEVE	1
10	370-7326	PIVOT PLATE	1
11	370-7332	1.25" DIA STEERING SPINDLE	1
12	370-8374	BEARING SEAL	1
13	5-826	10 TOOTH SPROCKET 5/8 SHAFT	1
14	5-831	MASTER LINK	1
15	600-7310K	KEY	1
16	600-7324	BRAKE COVER	1
17	650-7328	PIVOT SPACER PLATE	2
18	700-7340	12 INCH 36V DRIVE	1
19	8-278	TERMINAL BOOT, RED	1
20	8-723	BEARING BLOCK	1
21	8-723B	1-3/4 X 3/4" ROLLER BEARING	2
22	???	HCS 3/8" - 24 X 2.75" SS	6
23	H-0172949	HCS 3/8" - 24 X 2" SS FULL THREADED	1
24	H-11115680	FB CASHD MID-1.5 X 30mm	4
25	H-33376	SHAFT COLLAR, 3/4" ID X 9/16 LG	1
26	H-68013	SNAPRING	1
27	H-70003	HCS 1/4" - 20 X 3/4" SS	1
28	H-70103	HCS 3/8" - 16 X 3/4" SS	2
29	H-70710	HN 1/4" - 20 SS	1
30	H-70712	HN 3/8" - 16 SS	2
31	H-70732	HN 3/8" - 24 SS	1
32	H-71013	FW 1/4 ID X 5/8 OD SS	4
33	H-71017	FW 3/8 ID X 7/8 OD SS	2
34	H-71063	LW 1/4" SS	5
35	H-71067	LW 3/8" SS	2
36	H-73754	BHSCS 1/4 - 20 X 3/4" SS	4
37	H-81983	5/16" X 1/4" KURLR SET SCREW	1
38	H-K1432	3/16" X 1/2" KEY	1
39	M-9381T24	S-HOOK	1
40	M-9452K66	.125 X 2.25 X 2.5 O-RING.par	1



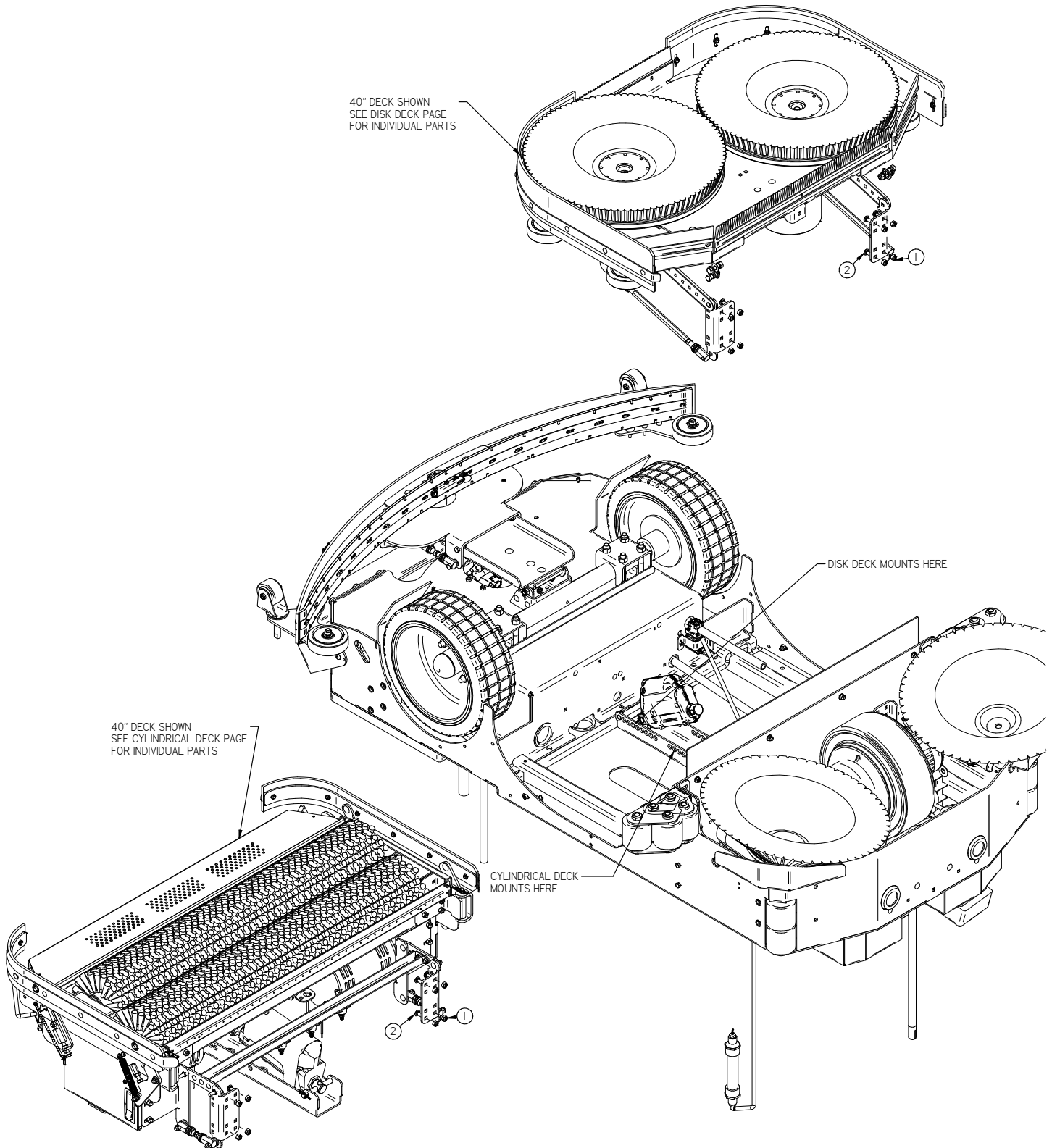


Item	Part No.	Part Description	Qty.	Item	Part No.	Part Description	Qty.
1	250-0220	IRHI SIDE BROOM MOTOR, 36V 106 RPM	1	16	H-312HCN	HCS 5/16"-18	1
2	250-0222	ILHI SIDE BROOM MOTOR, 36V 106 RPM (44.1)	1	17	H-33376	SHAFT COLLAR, 3/4" ID X 9/16 LG	2
3	370-402	19" SIDE BROOM POLYPROPYLENE	2	18	H-70061	HCS 5/16"- 18 X 2" SS	1
4	4-4230	3/4" X 1" X 1/2" FLG BEARING	2	19	H-70860	NYLOK 1/4"- 20 SS	2
5	600-2210	2.0" STROKE ACTUATOR (36V 600Nm)	1	20	H-70861	NYLOK 5/16"- 18 SS	3
6	650-4420	IRHI SIDE BROOM LIFT ARM	1	21	H-71019	FW 7/16 ID X 1-1/8 OD SS	2
7	650-4421	ILHI SIDE BROOM LIFT ARM	1	22	H-72704	FHP 1/4"- 20 X 1/2" SS	2
8	650-4630	SIDE BROOM AXLE BRACKET ILHI	1	23	H-73752	BHSCS 1/4 - 20 X 1/2" SS	4
9	650-4631	SIDE BROOM AXLE BRACKET IRHI	1	24	H-74401	CB 5/16"- 18 X 1-3/4" SS	2
10	700-0010	SIDE BROOM ACTUATOR SPACER	2	25	H-74421	CB 1/4"- 20 X 1-1/4" SS	2
11	700-1004	SIDE BROOM ANCHOR BRACKET	1	26	H-81983	5/16" X 1/4" KURL SET SCREW	2
12	700-1005	BRACKET, SIDEBROOM, LIFTING	1	27	H-RUE706	rue ring cotter .4375	2
13	700-4422	SIDE BROOM PIVOT	1	28	H-RUE8	RUE RING COTTER	1
14	700-4621	SIDE BROOM AXLE SHAFT	1	29	M-92390A320	4375 X 2.0 CLEVIS	1
15	H-0156730	1/4" X 1 1/2" CLEVIS PIN	2	30	M-92390A327	7/16" X 3-1/2" CLEVIS PIN	1

Front Wheel, Side Brooms, and Side Rollers



Item	Part No.	Part Description	Qty.	Item	Part No.	Part Description	Qty.
1	150-4570	STAR KNOB 5/16-18 X 2-1/2 SS	1	14	H-37038	JNYL 5/8"- 11	6
2	21-1126	ROLLER BRACKET	2	15	H-70711	HN 5/16"- 18 SS	2
3	21-1127	ROLLER	10	16	H-70860	NYLOK 1/4"- 20 SS	2
4	370-1126	DOUBLE ROLLER BRACKET (40")	2	17	H-70861	NYLOK 5/16"- 18 SS	5
5	370-2940	HORN	1	18	H-71013	FW 1/4 ID X 5/8 OD SS	1
6	390	SUB #390 JAW ROLLER	1	19	H-71015	FW 5/16 ID X 3/4 OD SS	5
7	500-2910	HEAD LIGHT	2	20	H-71015	FW 5/16 ID X 3/4 OD SS	2
8	700-1028	LOWER FRAME BRACKET	2	21	H-71065	LW 5/16" SS	1
9	700-1117	GUARD, SIDEBROOM, LH	1	22	H-71065	LW 5/16" SS	5
10	700-1118	GUARD, SIDEBROOM, RH	1	23	H-74419	CB 1/4"- 20 X .75" SS	19
11	700-7145	5/8 ROLLER PIN	2	24	H-74430	CB 5/16"- 18 X 1" SS	8
12	H-11319	HB 5/8"- 11 X 4"	6	25	H-NJ05C	JNYL 5/16"- 18 SS	1
13	H-312HCN	HCN 5/16"-18	1	26	M-93416A306	5/8 HD SNAP RING	4

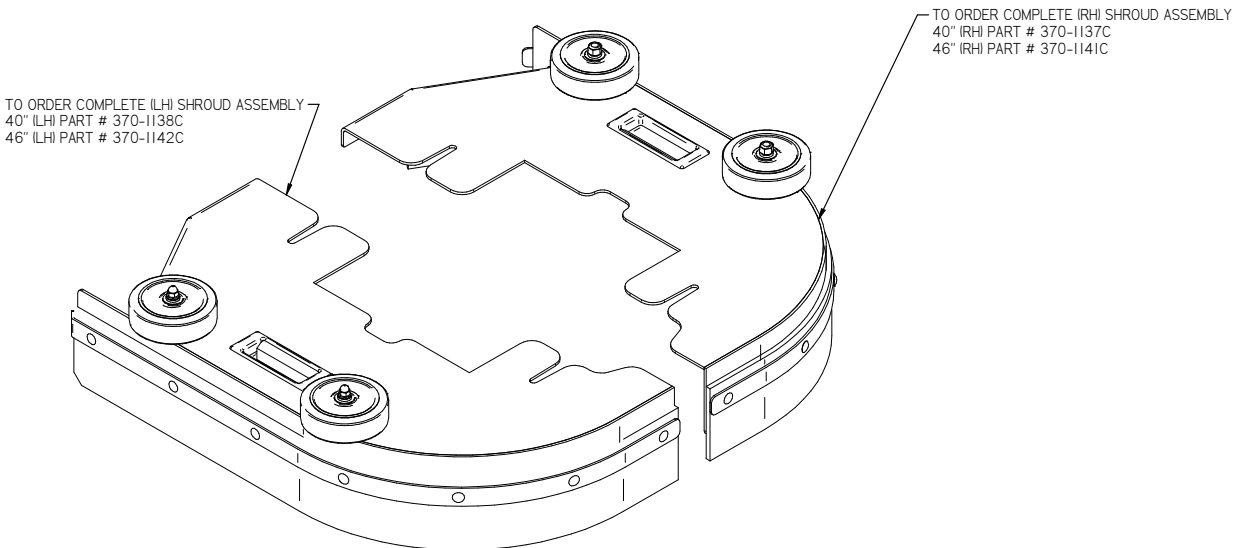
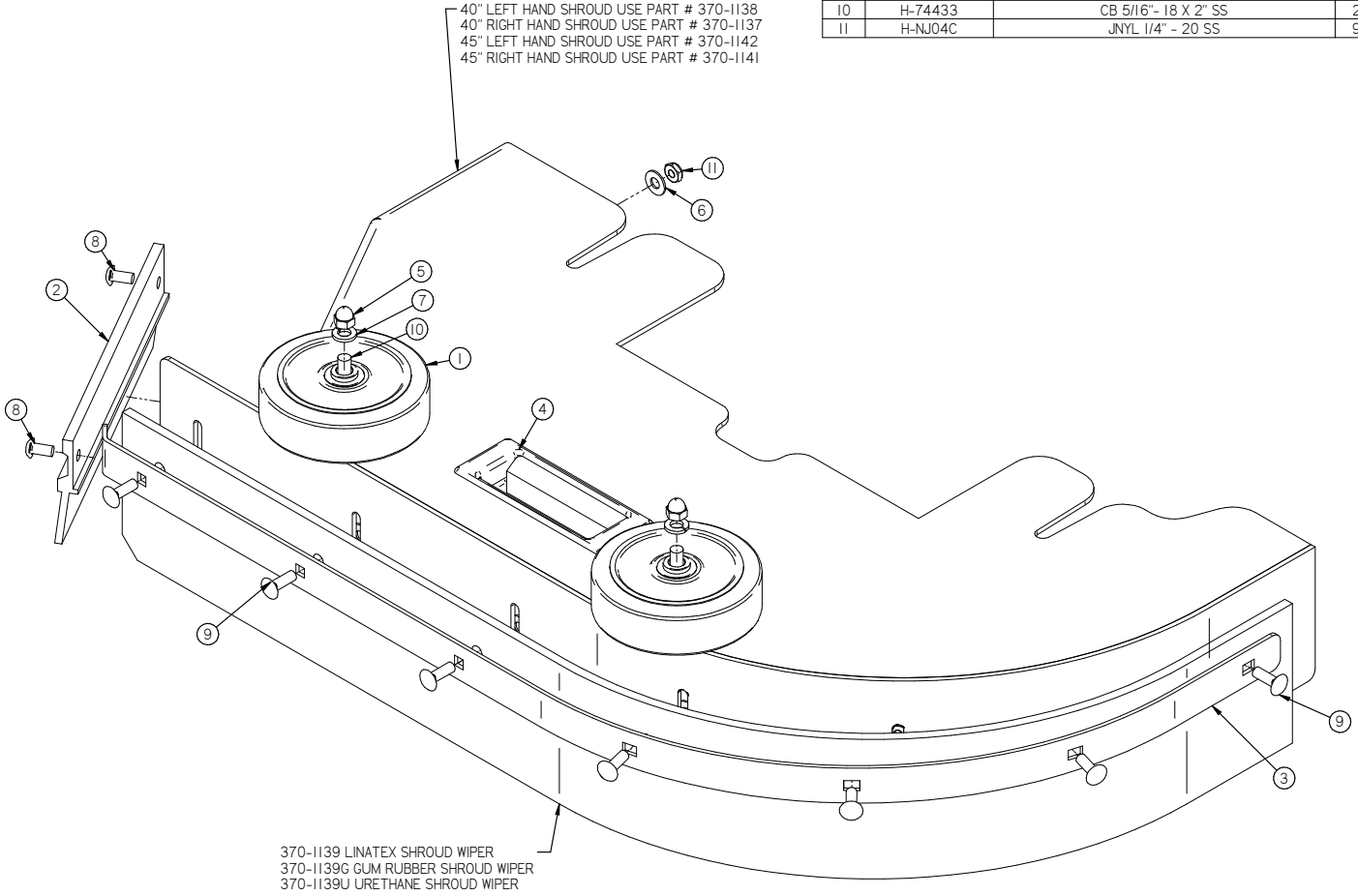


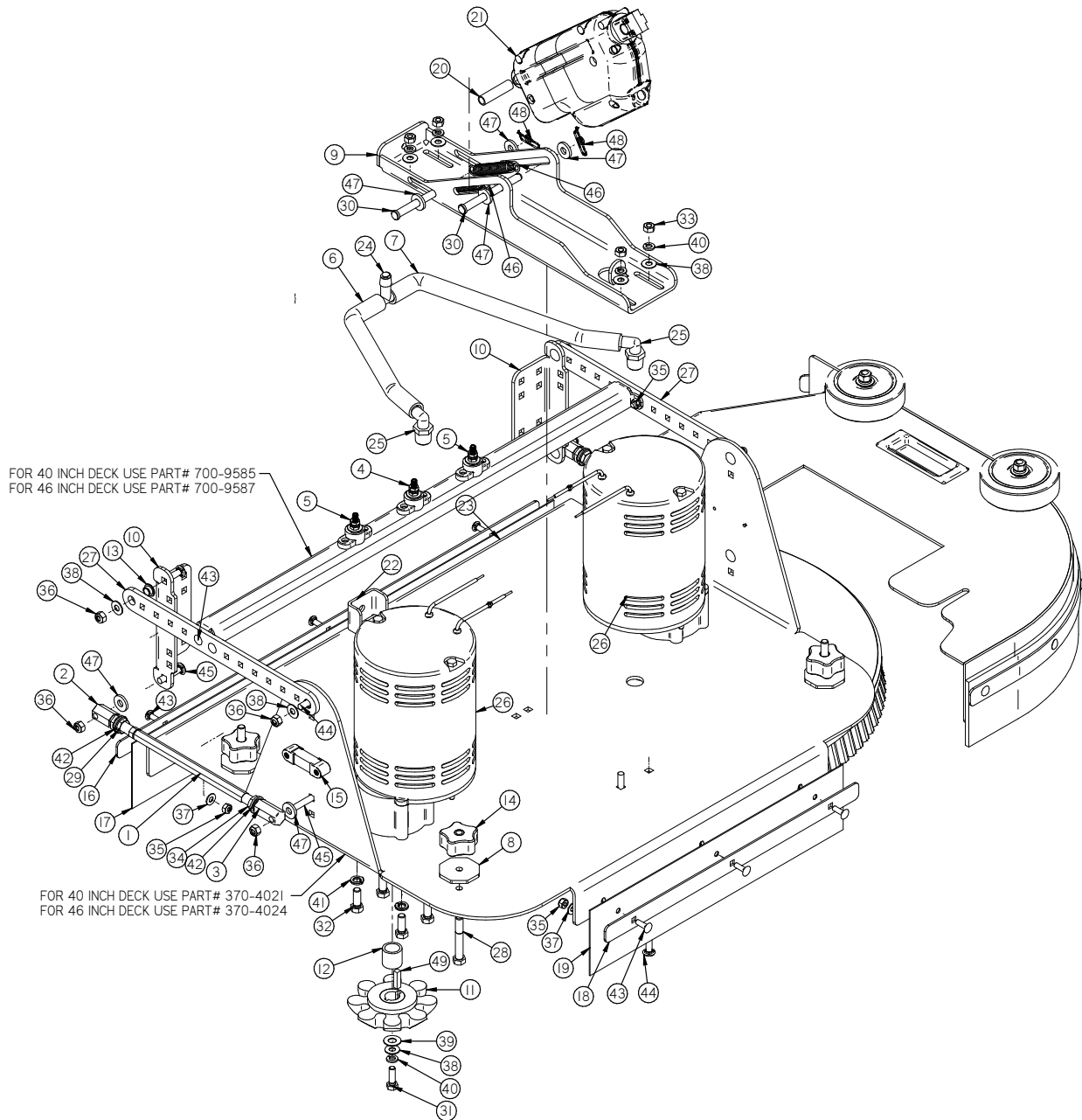
Item	Part No.	Part Description	Qty.
1	H-70861	NYLOK 5/16" - 18 SS	15
2	H-74429	CB 5/16" - 18 X 3/4" SS	15



Disk Shrouds

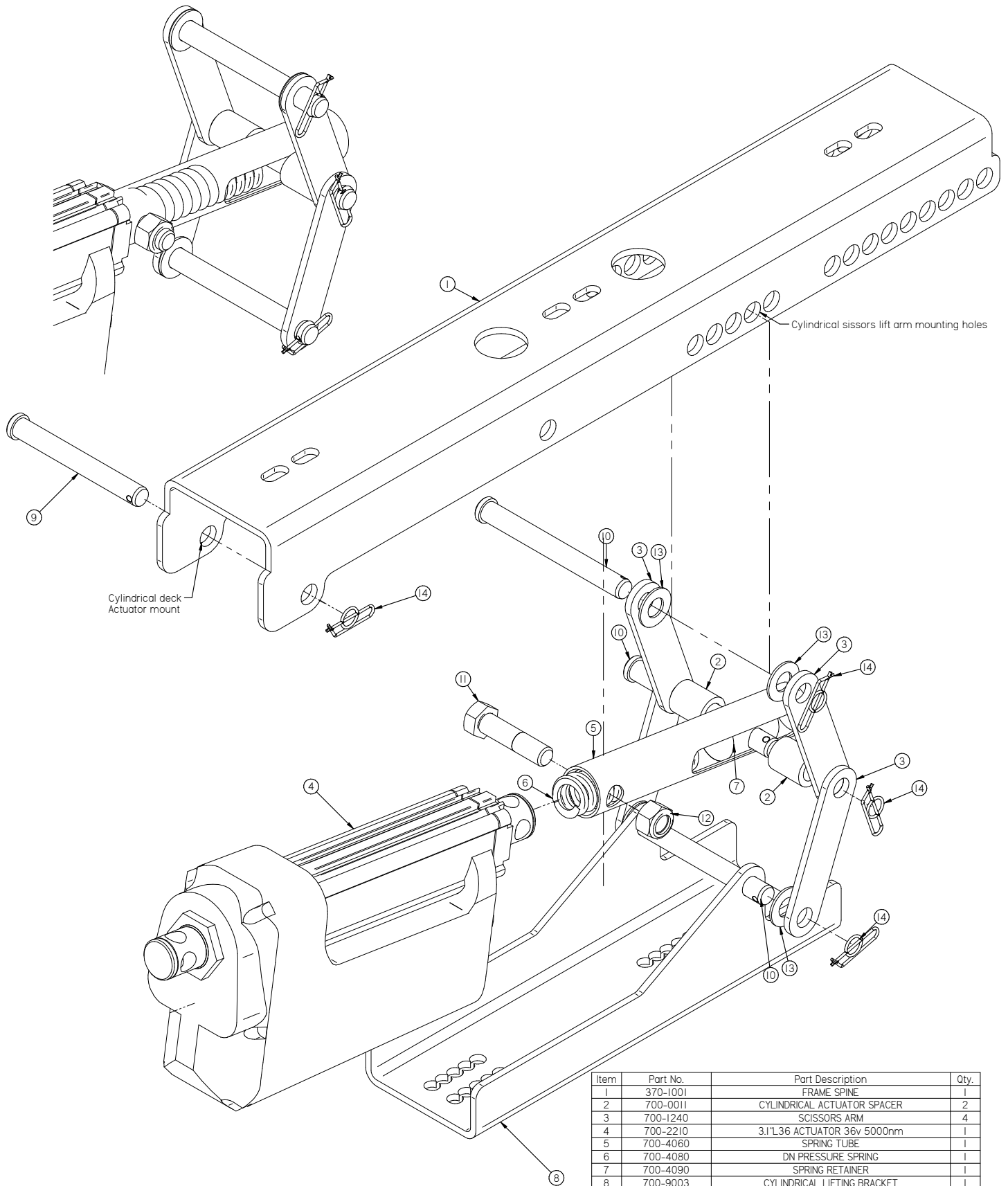
Item	Part No.	Part Description	Qty.
1	190-3030	4.0" WHEEL (GRAY)	2
2	370-0017	40" SHROUD CURTAIN	1
3	370-1140	SHROUD CURTAIN BAND (34" & 40")	1
4	5-849	RECESSED HANDLE	1
5	H-37709	5/16-18 ACORN NUT	2
6	H-71013	FW 1/4 ID X 5/8 OD SS	7
7	H-71065	LW 5/16" SS	2
8	H-73752	BHSCS 1/4 - 20 X 1/2" SS	2
9	H-74419	CB 1/4"- 20 X .75" SS	7
10	H-74433	CB 5/16"- 18 X 2" SS	2
11	H-NJ04C	JNYL 1/4" - 20 SS	9



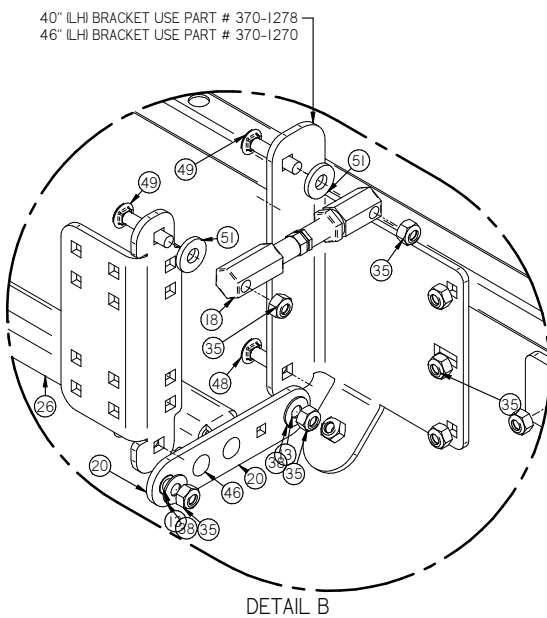
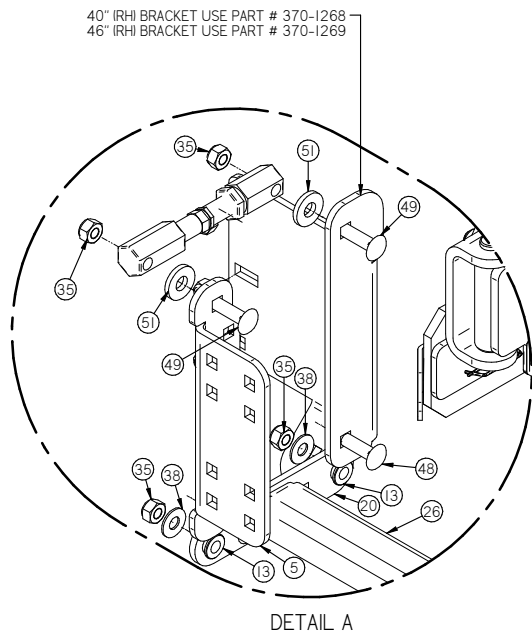
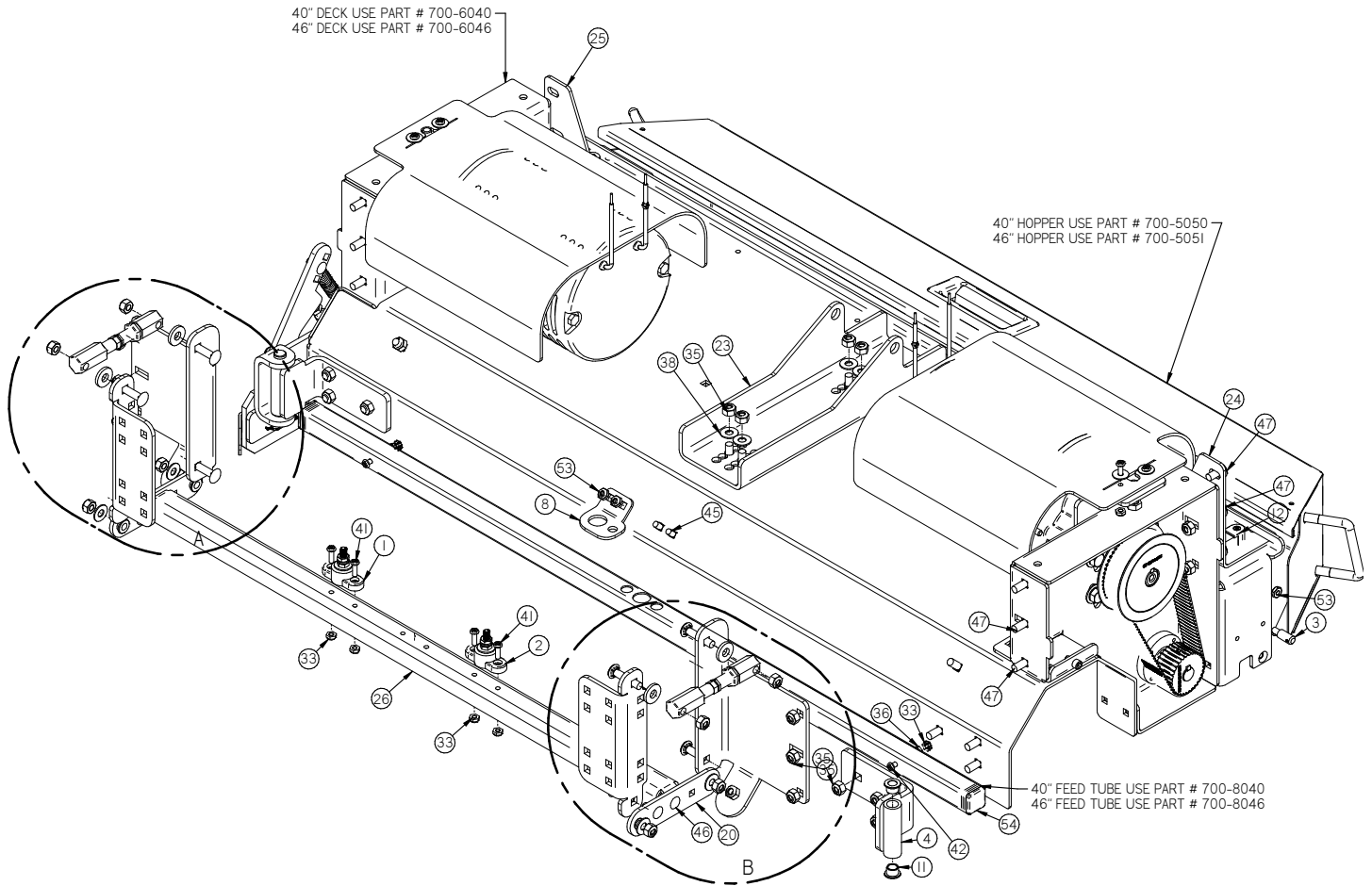


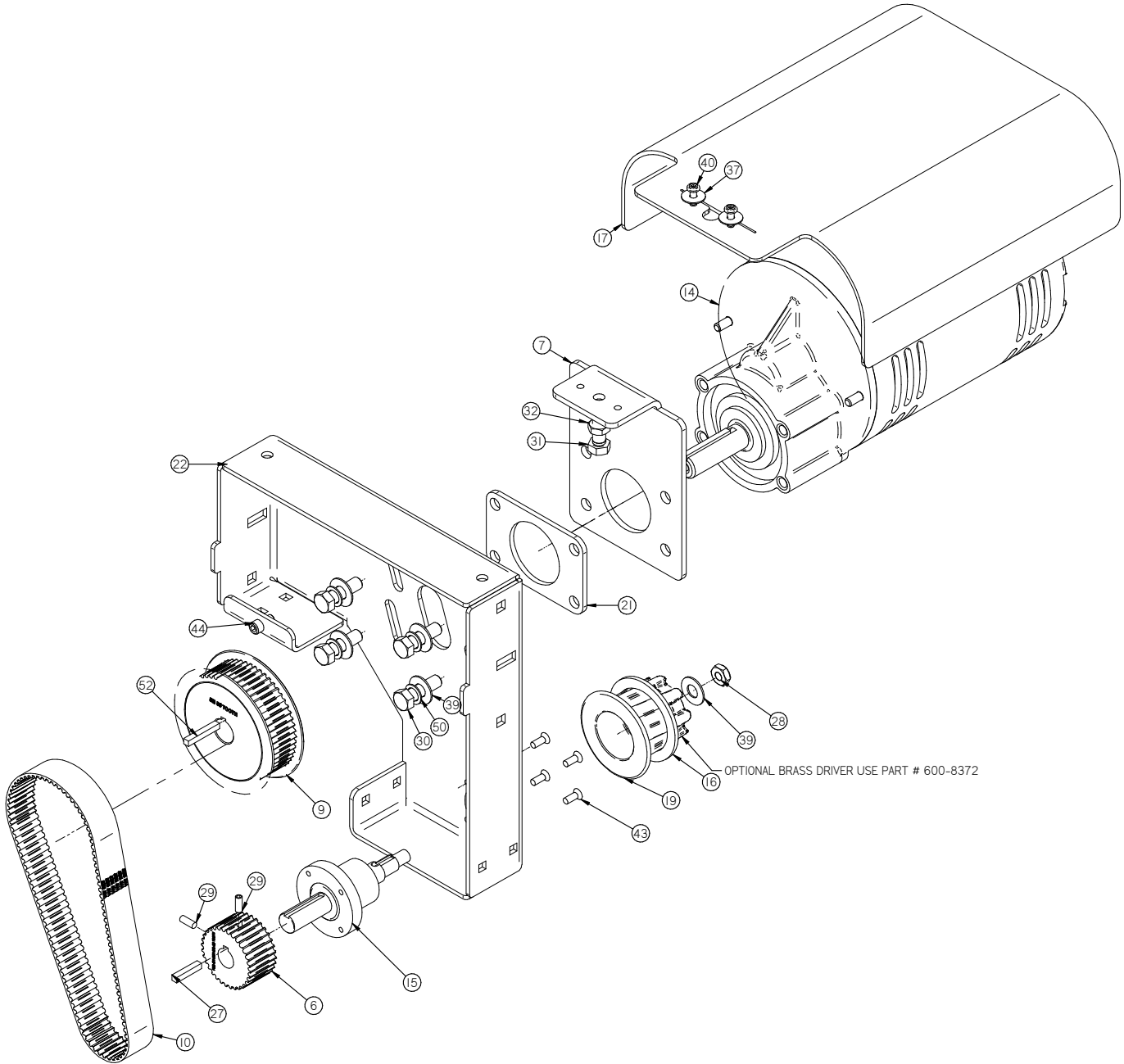
Item	Part No.	Part Description	Qty.	Item	Part No.	Part Description	Qty.
1	12-50-01	12-1/2" ADJUSTABLE LATERAL ARM BODY	2	26	700-2220	36V MOTOR 1.0 HP X 200 RPM	2
2	150-9583	ADJUSTABLE ROD END LH THREAD	2	27	700-9586	LATERAL ARM (DISK)	2
3	150-9584	ADJUSTABLE ROD END RH TREAD	2	28	H-0172951	HCS 3/8"- 24 X 2 1/2" S/S	4
4	175-2700	NEG INSULATOR POST (BLACK)	1	29	H-0175075	LH HX JAM .50-20 SS	2
5	175-2710	POS INSULATOR POST (RED)	2	30	H-11121256	3/8" X 4" CLEVIS PIN	2
6	250-0123	1/2" X 14" HOSE	1	31	H-70055	HCS 5/16"-18 X 1" SS	2
7	250-0124	1/2" X 14" HOSE	1	32	H-70105	HCS 3/8"- 16 X 1" SS	8
8	250-1084	SHROUD ADJUSTMENT KNOB	4	33	H-70711	HN 5/16"- 18 SS	4
9	250-1103	DISK SCRUB DECK BRACKET	1	34	H-70834	HX JAM .50-20 SS	2
10	250-1265	SCRUB ARM BRACKET	2	35	H-70860	NYLOK 1/4"- 20 SS	10
11	264-5003	BRUSH DRIVER ROUNDED TOOTH	2	36	H-70861	NYLOK 5/16"- 18 SS	8
12	264-5005	DRIVER SPACER	2	37	H-71013	FW 1/4 ID X 5/8 OD SS	6
13	290-1233	3/8" ID, 1/2" OD, 1/4" LG BEARING	4	38	H-71015	FW 5/16 ID X 3/4 OD SS	10
14	290-5787	3/8-24 KNOB	4	39	H-71017	FW 3/8 ID X 7/8 OD SS	2
15	300-4030	LEVEL	2	40	H-71065	LW 5/16" SS	6
16	370-1075	46" FRONT DECK CURTAIN BAND	1	41	H-71067	LW 3/8" SS	12
17	370-1076	46" FRONT DECK CURTAIN	1	42	H-71071	LW 1/2" SS	4
18	370-1077	46" REAR DECK CURTAIN BAND	1	43	H-74419	CB 1/4"- 20 X .75" SS	10
19	370-1078	46" REAR DECK CURTAIN	1	44	H-74430	CB 5/16"- 18 X 1" SS	8
20	370-1081	SLEEVE BEARING	1	45	H-74432	CB 5/16"- 18 X 1-1/2" SS	4
21	370-2210	4" STROKE 36V ACTUATOR 450 LB LOAD	1	46	H-96544	SPRING, 4-1/8" LG X 9/16" OD (42E)	2
22	370-4022	DISK DECK HEIGHT ADJUSTMENT	1	47	H-98025	FW 3/8" GRADE 8	8
23	370-4024	46" SS DISK SCRUB DECK	1	48	H-RUE14	3/8" RUE RING COTTER	2
24	5-446	1/2" PLASTIC BARB TEE	1	49	M-0953154	1/4" X 1" KEY	2

Cylindrical Actuator Lift

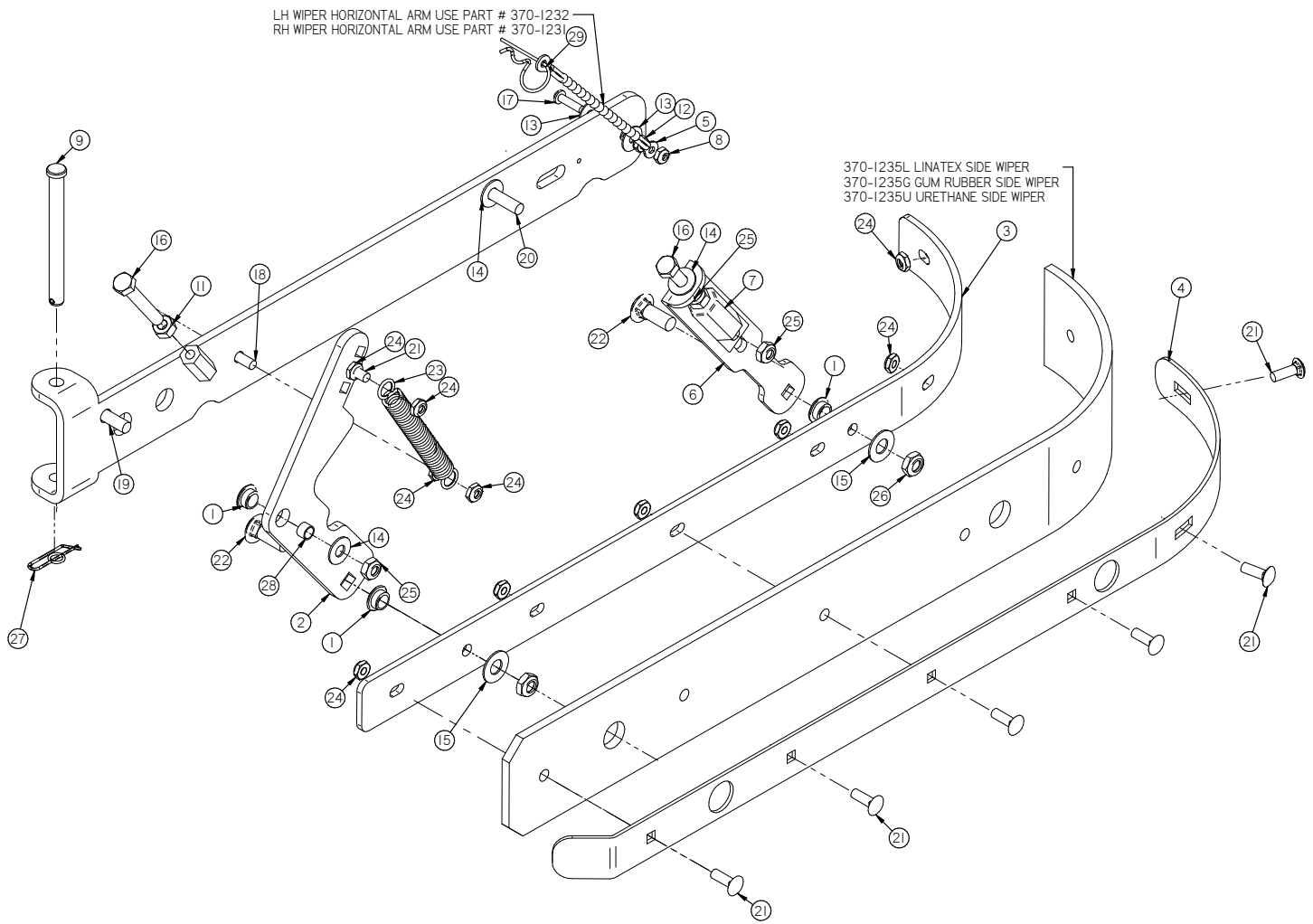


Item	Part No.	Part Description	Qty.
1	370-1001	FRAME SPINE	1
2	700-0011	CYLINDRICAL ACTUATOR SPACER	2
3	700-1240	SCISSORS ARM	4
4	700-2210	3.1"L36 ACTUATOR 36v 5000nm	1
5	700-4060	SPRING TUBE	1
6	700-4080	DN PRESSURE SPRING	1
7	700-4090	SPRING RETAINER	1
8	700-9003	CYLINDRICAL LIFTING BRACKET	1
9	H-0156777	1/2" X 4" CLEVIS PIN	1
10	H-02783	1/2" X 4-1/2" CLEVIS PIN	3
11	H-70211	HCS 1/2"-13 X 2.0" SS	1
12	H-70864	NYLOK 1/2"-13 SS	1
13	H-76065	FW 1/2" NYLON	4
14	H-RUE22	1/2" RUE RING COTTER	4



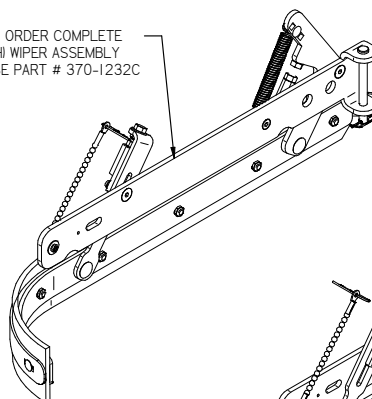


Item	Part No.	Part Description	Qty.	Item	Part No.	Part Description	Qty.
1	175-2700	NEG INSULATOR POST (BLACK)	1	28	H-0171004	JNYL 3/8- 24 SS	2
2	175-2710	POS INSULATOR POST (RED)	1	29	H-25282	SSS CP #10-32 X .50"	8
3	250-0004	RETAINER PIN	2	30	H-70107	HCS 3/8"- 16 X 1-1/4" SS	8
4	250-1230	SHROUD HINGE	2	31	H-70142	HCS 3/8"- 24 X 1" S/S	2
5	250-1265	SCRUB ARM BRACKET	2	32	H-70832	HX JAM .375-24 SS	2
6	253-8215	TIMING SPROCKET 32 TOOTH	2	33	H-70858	NYLOK #10-32 SS	10
7	253-9002	MOTOR ADJ BRACKET	2	34	H-70860	NYLOK 1/4"- 20 SS	4
8	253-9003	QUICK DISCONNECT BRACKET	1	35	H-70861	NYLOK 5/16"- 18 SS	32
9	264-8225	TIMING SPROCKET 56 TOOTH	2	36	H-70923	KN #10-32 SS	2
10	264-8230	535 5M TIMING BELT	2	37	H-71010	FW #10 ID X 11/16 OD SS	4
11	290-1245	3/8" ID, 1/2" OD, 3/8" LG. FLANGE BEARING	4	38	H-71015	FW 5/16 ID X 3/4 OD SS	8
12	300-4030	LEVEL	2	39	H-71017	FW 3/8 ID X 7/8 OD SS	10
13	370-1247	BUSHING 5/16 X 1/2 X 3/16	5	40	H-72515	PPH #10-32 X 1/2" S/S	4
14	370-2220	MOTOR 36V 1.5 HP X 350 RPM	2	41	H-72517	PPH #10-32 X 5/8" SS	4
15	370-8240A	BEARING HOUSING/BEARING	2	42	H-72554	PPH #10-32 X 1-1/2"	2
16	370-8373	CYLINDRICAL DRIVER SEAL	2	43	H-72682	FHP #10-32 X 1/2" SS	8
17	370-9002	MOTOR SHIELD	2	44	H-73459	SHCS 1/4-20 X 1/2 SS	3
18	4-25	6.25" ADJUSTABLE LATERAL ARM	2	45	H-74417	CB 1/4"- 20 X 5" SS	2
19	600-8370	SPIRAL CYLINDRICAL DRIVER	2	46	H-74419	CB 1/4"- 20 X .75" SS	4
20	600-9585	CYL LATERAL ARM	2	47	H-74429	CB 5/16"- 18 X 3/4" SS	24
21	650-9004	MOTOR SPACER	2	48	H-74430	CB 5/16"- 18 X 1" SS	4
22	700-6040	CYLINDRICAL BRUSHHEAD, 40"	1	49	H-74432	CB 5/16"- 18 X 1-1/2" SS	4
23	700-9003	CYLINDRICAL LIFTING BRACKET	1	50	H-90895	WASHER, SERRATED BELLEVILLE, 3/8", S/S	8
24	700-9072	CYL REAR SUPPORT BRACKET, LH	1	51	H-98025	FW 3/8" GRADE 8	4
25	700-9073	CYL REAR SUPPORT BRACKET, RH	1	52	H-K14320	3/16" X 1 1/4" KEY	2
26	700-9587	LIFT ARM CROSS BAR (CYL & 46 DISK)	1	53	H-NJ04C	JNYL 1/4" - 20 SS	4
27	H-01125	3/16" X 1" KEY	2	54	M-9566K51	1.0 X 1.0 SQ TUBE PLUG	2

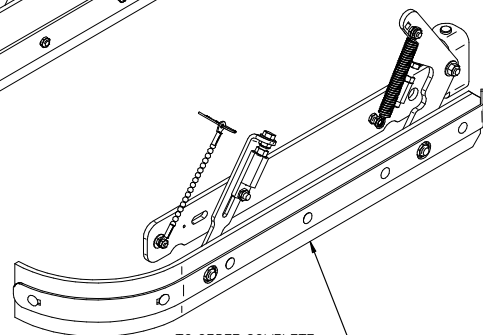


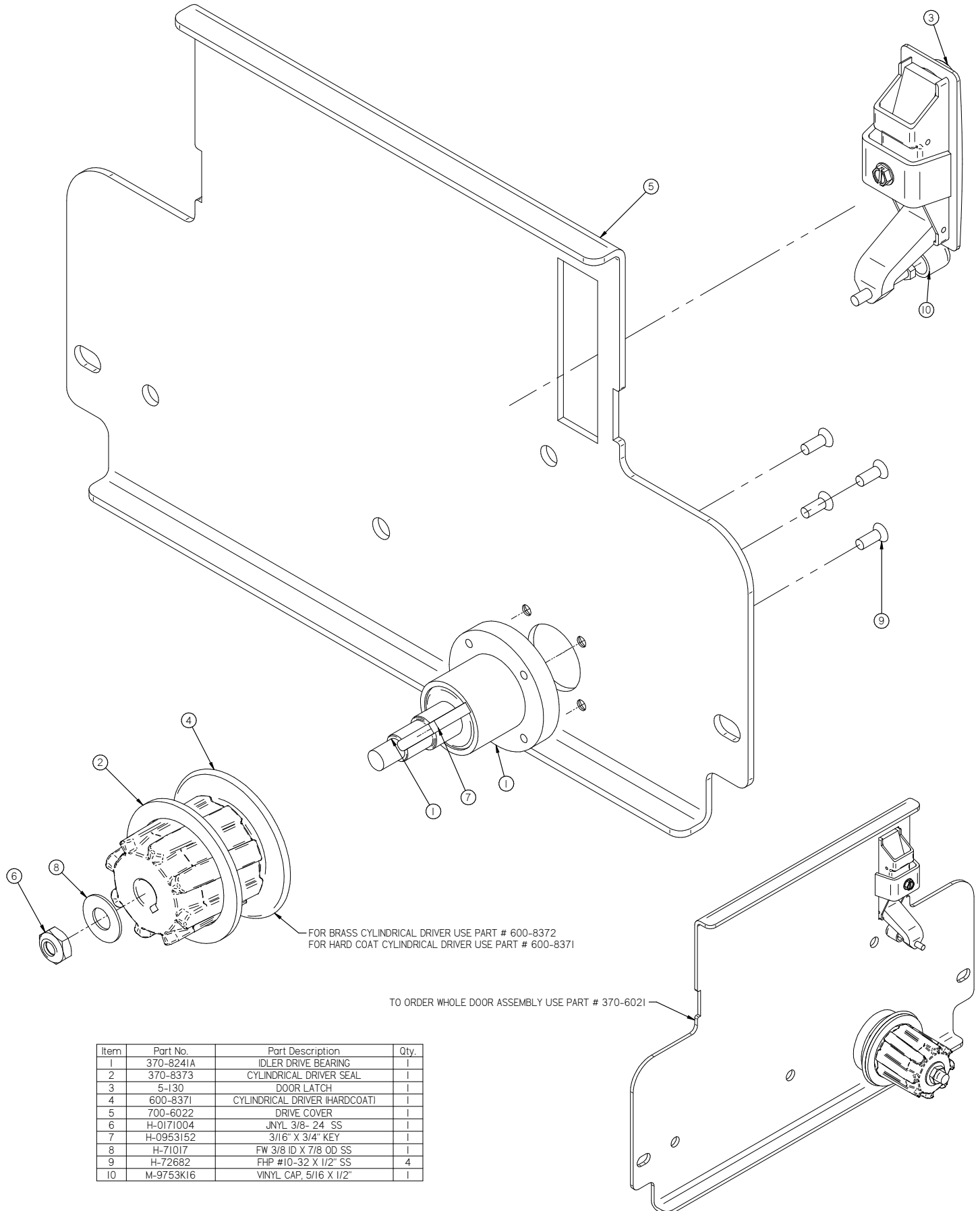
Item	Part No.	Part Description	Qty.
1	290-1233	3/8" ID, 1/2" OD, 1/4" LG BEARING	3
2	370-1233	SHROUD VERTICAL ARM	1
3	370-1234	INNER CYLINDRICAL WIPER BAND	1
4	370-1236	OUTER CYLINDRICAL WIPER BAND	1
5	370-4060	6" LANYARD	1
6	700-1236	ADJUSTABLE WIPER ARM	1
7	700-1239	ADJUSTABLE ROD END IRH TREAD	1
8	H-0129155	JNYL #10-32, 18-8 S/S	1
9	H-11121256	3/8" X 4" CLEVIS PIN	1
10	H-36104	HN 5/16"-18	1
11	H-70711	HN 5/16"- 18 SS	1
12	H-70923	KN #10-32 SS	1
13	H-71010	FW #10 ID X 11/16 OD SS	2
14	H-71015	FW 5/16 ID X 3/4 OD SS	3
15	H-71017	FW 3/8 ID X 7/8 OD SS	2
16	H-71182	HCS 5/16"- 18 X 2" SS	2
17	H-72534	PPH #10-32 X 3/4" S/S	1
18	H-73882	FHSCS 1/4"- 20 X 3/4" S/S	1
19	H-73908	FHSCS 5/16"- 18 X 1" SS	1
20	H-73909	FHSCS 5/16"- 18 X 1-1/4" SS	1
21	H-74419	CB 1/4"- 20 X .75" SS	7
22	H-74436	CB 3/8"- 16 X 1.0" SS	2
23	H-96544	SPRING, 4-1/8" LG X 9/16" OD (42E)	1
24	H-NJ04C	JNYL 1/4" - 20 SS	10
25	H-NJ05C	JNYL 5/16"- 18 SS	3
26	H-NJ06C	JNYL 3/8"- 16 SS	2
27	H-RUE14	3/8" RUE RING COTTER	1
28	M-6391K403	.312 ID X .375 OD X .25 LG BEARING SLEEVE	1
29	M-92391A044	HAIRPIN, 5/16" - 3/8" X 1-7/16" S/S	1

TO ORDER COMPLETE  
LH WIPER ASSEMBLY  
USE PART # 370-1232C



TO ORDER COMPLETE  
RH WIPER ASSEMBLY  
USE PART # 370-1231C

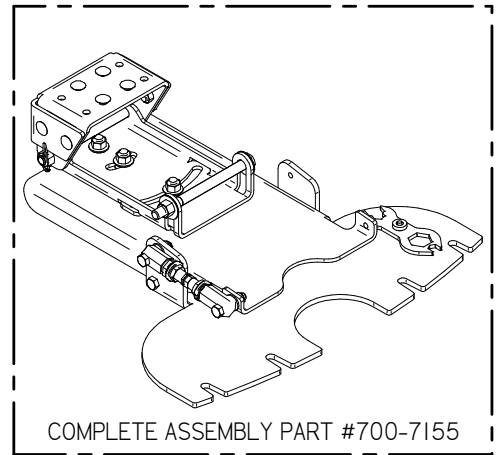
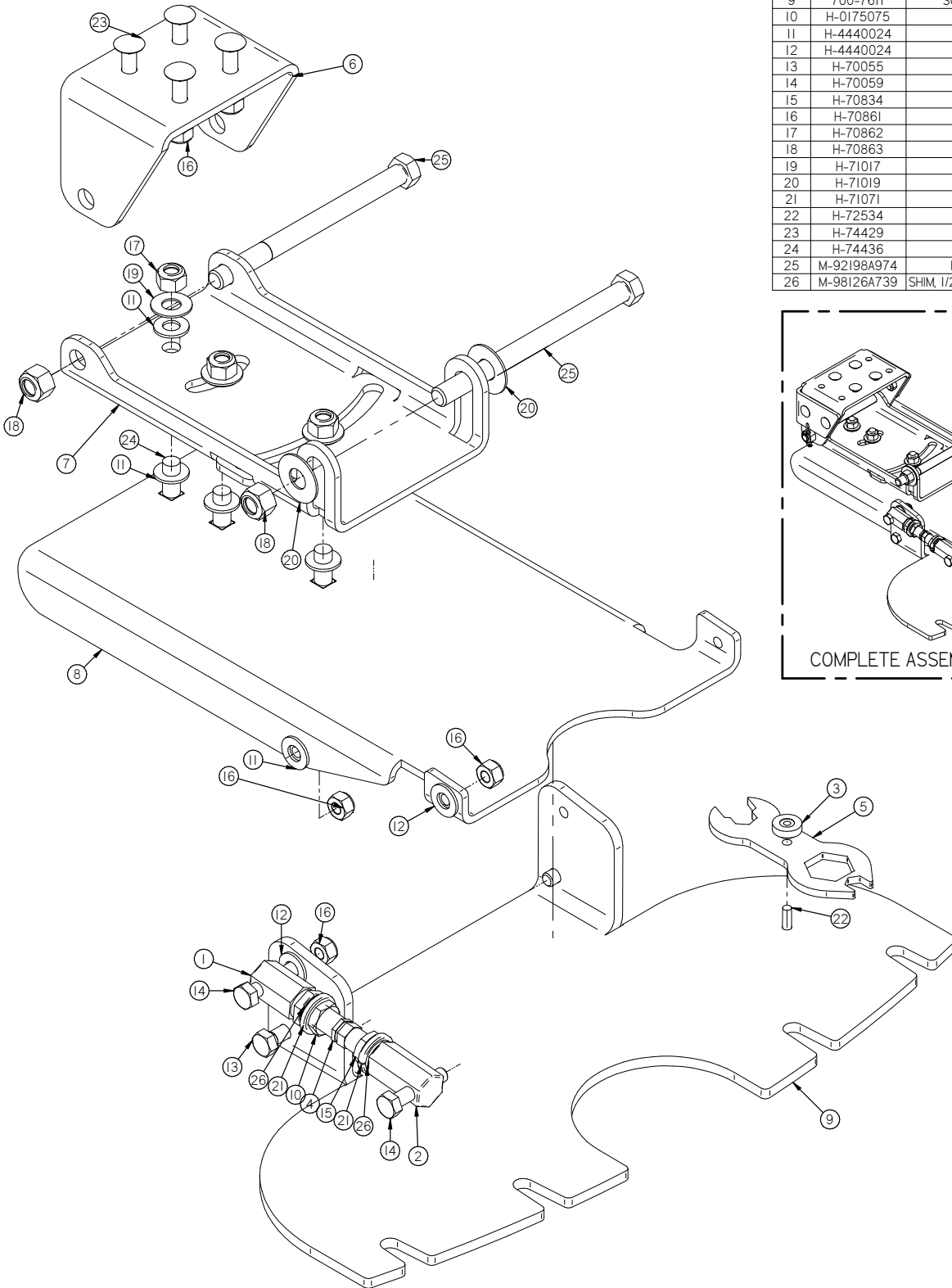




Item	Part No.	Part Description	Qty.
1	370-8241A	IDLER DRIVE BEARING	1
2	370-8373	CYLINDRICAL DRIVER SEAL	1
3	5-130	DOOR LATCH	1
4	600-8371	CYLINDRICAL DRIVER (HARDCOAT)	1
5	700-6022	DRIVE COVER	1
6	H-0171004	JNYL 3/8- 24 SS	1
7	H-0953152	3/16" X 3/4" KEY	1
8	H-71017	FW 3/8 ID X 7/8 OD SS	1
9	H-72682	FHP #10-32 X 1/2" SS	4
10	M-9753K16	VINYL CAP, 5/16 X 1/2"	1

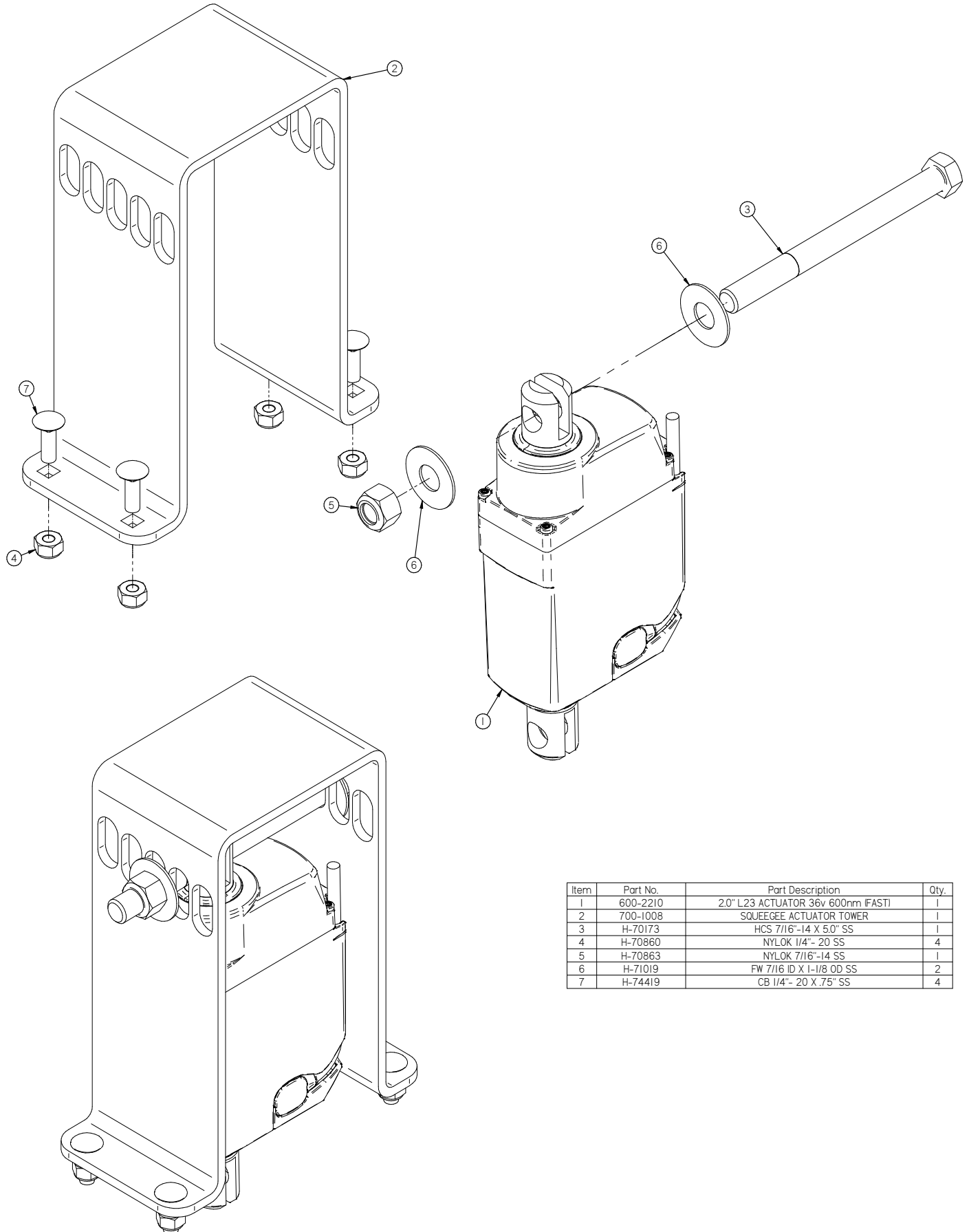
## Squeegee Swing Trail Arm - Standard

Item	Part No.	Part Description	Qty.
1	150-9583	ADJUSTABLE ROD END (LH THREAD)	1
2	150-9584	ADJUSTABLE ROD END (RH TREAD)	1
3	175-4180	YELLOW KNOB	1
4	4-25-01	6.25" ADJUSTABLE LATERAL ARM BODY	1
5	700-1001	SQUEEGEE WRENCH	1
6	700-5002	SQUEEGEE DRAG BRACKET	1
7	700-7143	SQUEEGEE SWING PLATE	1
8	700-7151	SQUEEGEE TRAIL ARM	1
9	700-7611	SQUEEGEE TRIANGLE PLATE	1
10	H-0175075	LH HX JAM .50-20 SS	1
11	H-4440024	FW 3/8" X 3/4" NYLON	8
12	H-4440024	FW 3/8" X 3/4" NYLON	2
13	H-70055	HCS 5/16"- 18 X 1" SS	2
14	H-70059	HCS 5/16"- 18 X 1-1/2"	2
15	H-70834	HX JAM .50-20 SS	1
16	H-70861	NYLOK 5/16" - 18 SS	8
17	H-70862	NYLOK 3/8"-16 SS	3
18	H-70863	NYLOK 7/16"-14 SS	2
19	H-71017	FW 3/8 ID X 7/8 OD SS	3
20	H-71019	FW 7/16 ID X 1-1/8 OD SS	2
21	H-71071	LW 1/2" SS	2
22	H-72534	PPH #10-32 X 3/4" S/S	1
23	H-74429	CB 5/16"- 18 X 3/4" SS	4
24	H-74436	CB 3/8"- 16 X 1.0" SS	3
25	M-92198A974	HCS 7/16"-14 X 5-1/2" SS	2
26	M-98126A739	SHIM, 1/2" ID X 3/4" OD X 1/16" THICK, S/S	2



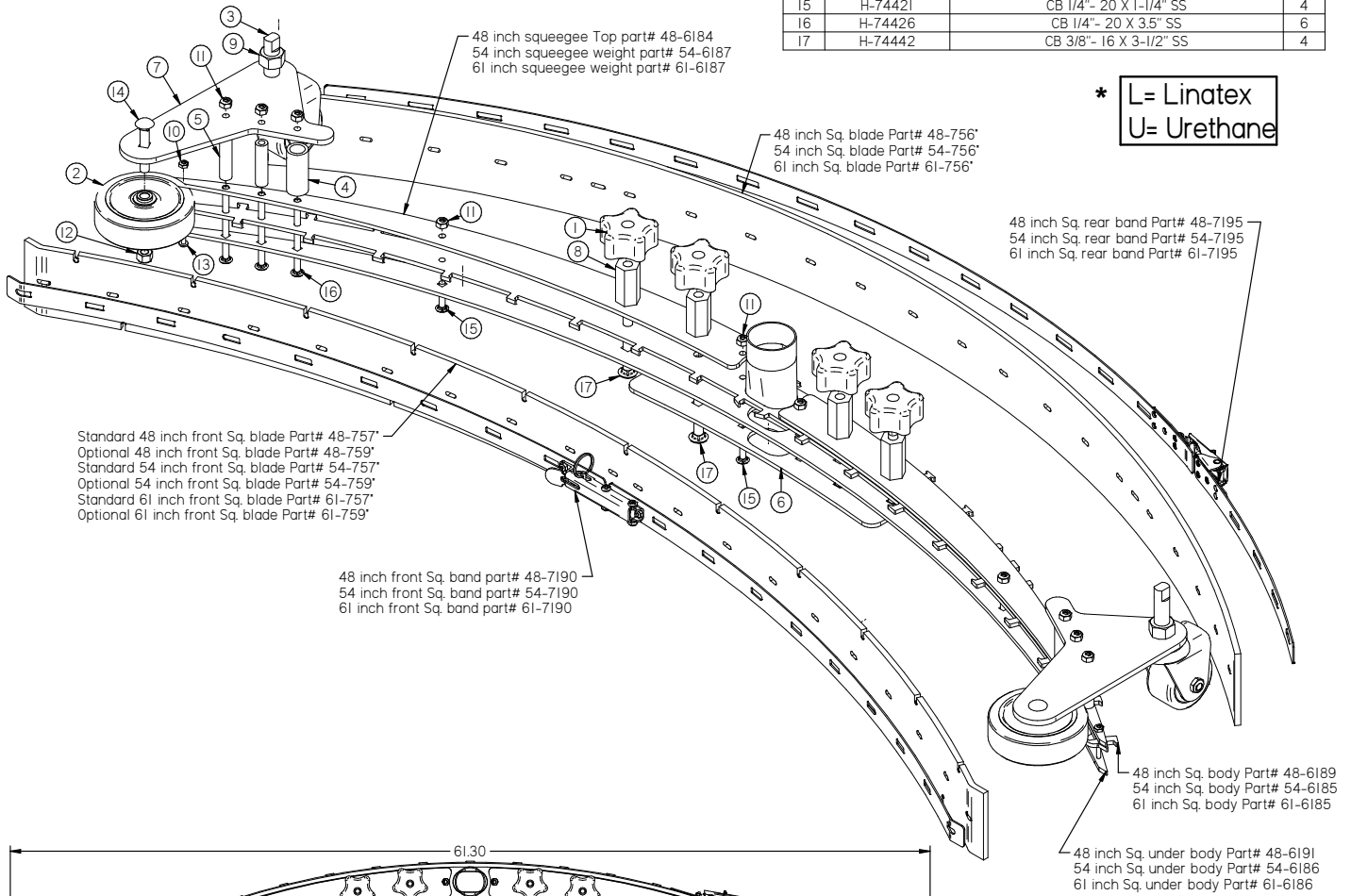


Squeegee Actuator lift

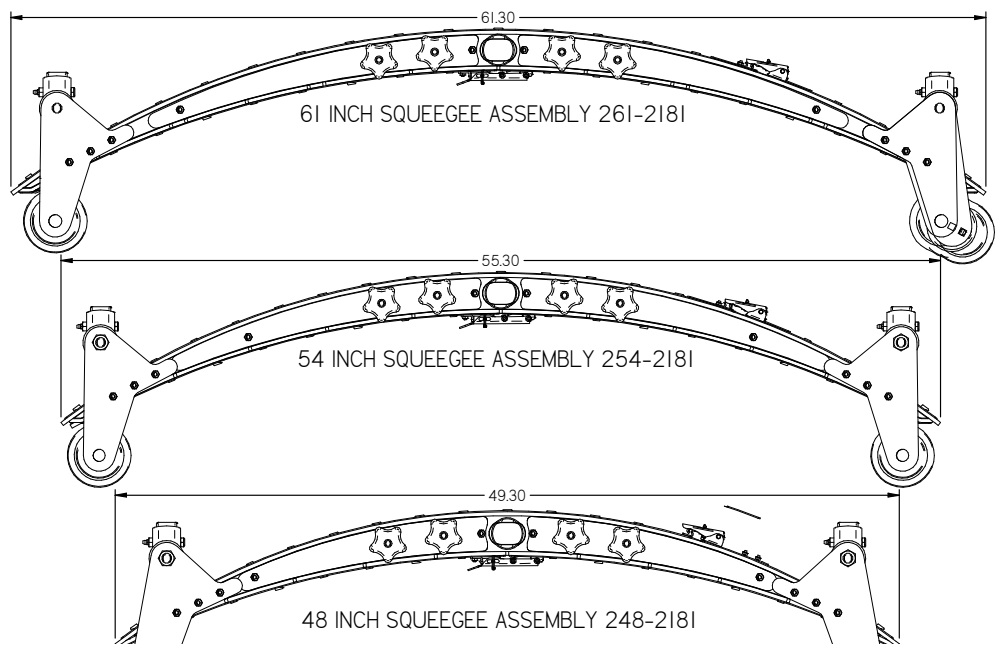


Item	Part No.	Part Description	Qty.
1	600-2210	2.0" L23 ACTUATOR 36v 600nm (FAST)	1
2	700-1008	SQUEEGEE ACTUATOR TOWER	1
3	H-70173	HCS 7/16"-14 X 5.0" SS	1
4	H-70860	NYLOK 1/4"- 20 SS	4
5	H-70863	NYLOK 7/16"-14 SS	1
6	H-71019	FW 7/16 ID X 1-1/8 OD SS	2
7	H-74419	CB 1/4"- 20 X .75" SS	4

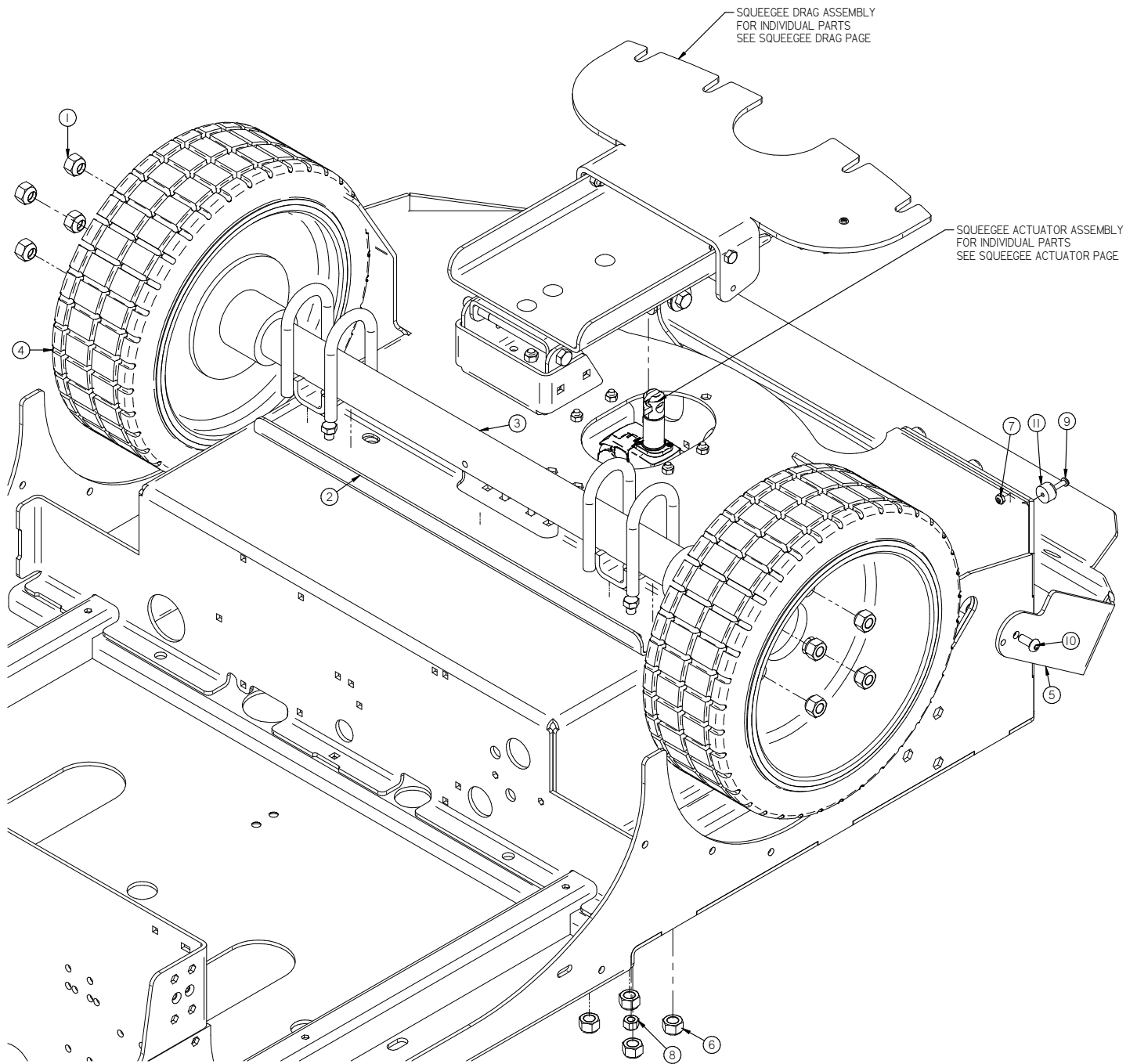
Item	Part No.	Part Description	Qty.
1	150-5786	STAR KNOB, 3/8-16 THREAD	4
2	190-3030	4.0" WHEEL (GRAY)	2
3	430-7570	CASTER	2
4	54-0007	SQUEEGEE ROLLER SPACER	2
5	54-0008	SQUEEGEE ROLLER SPACER	4
6	54-6188	54" SQUEEGEE BOTTOM WEIGHT	1
7	54-7183	SQUEEGEE CASTER BRACKET	2
8	54-8460	STANDOFF, 1.75"	4
9	H-36114	HN 5/8-11	2
10	H-70856	NYLOK #8-32 SS	2
11	H-70860	NYLOK 1/4"- 20 SS	10
12	H-70862	NYLOK 3/8"-16 SS	2
13	H-72416	PPH #8-32 X 3/4" S/S	2
14	H-74416	CB 3/8"- 16 X 2-1/4" SS	2
15	H-74421	CB 1/4"- 20 X 1-1/4" SS	4
16	H-74426	CB 1/4"- 20 X 3.5" SS	6
17	H-74442	CB 3/8"- 16 X 3-1/2" SS	4



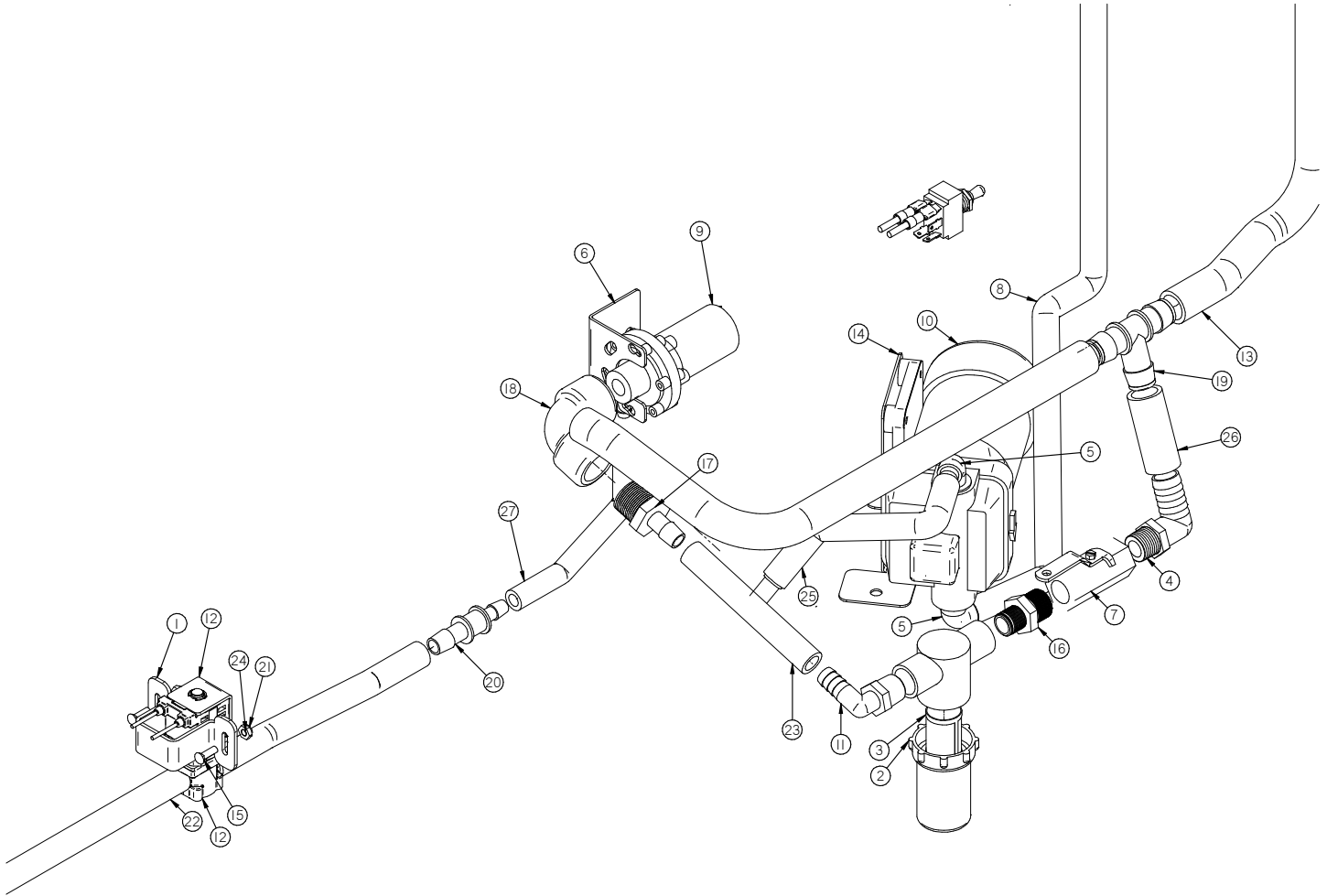
\* L= Linatex  
U= Urethane



Attaching Squeegee Trail Arm, Bumper, & Axle

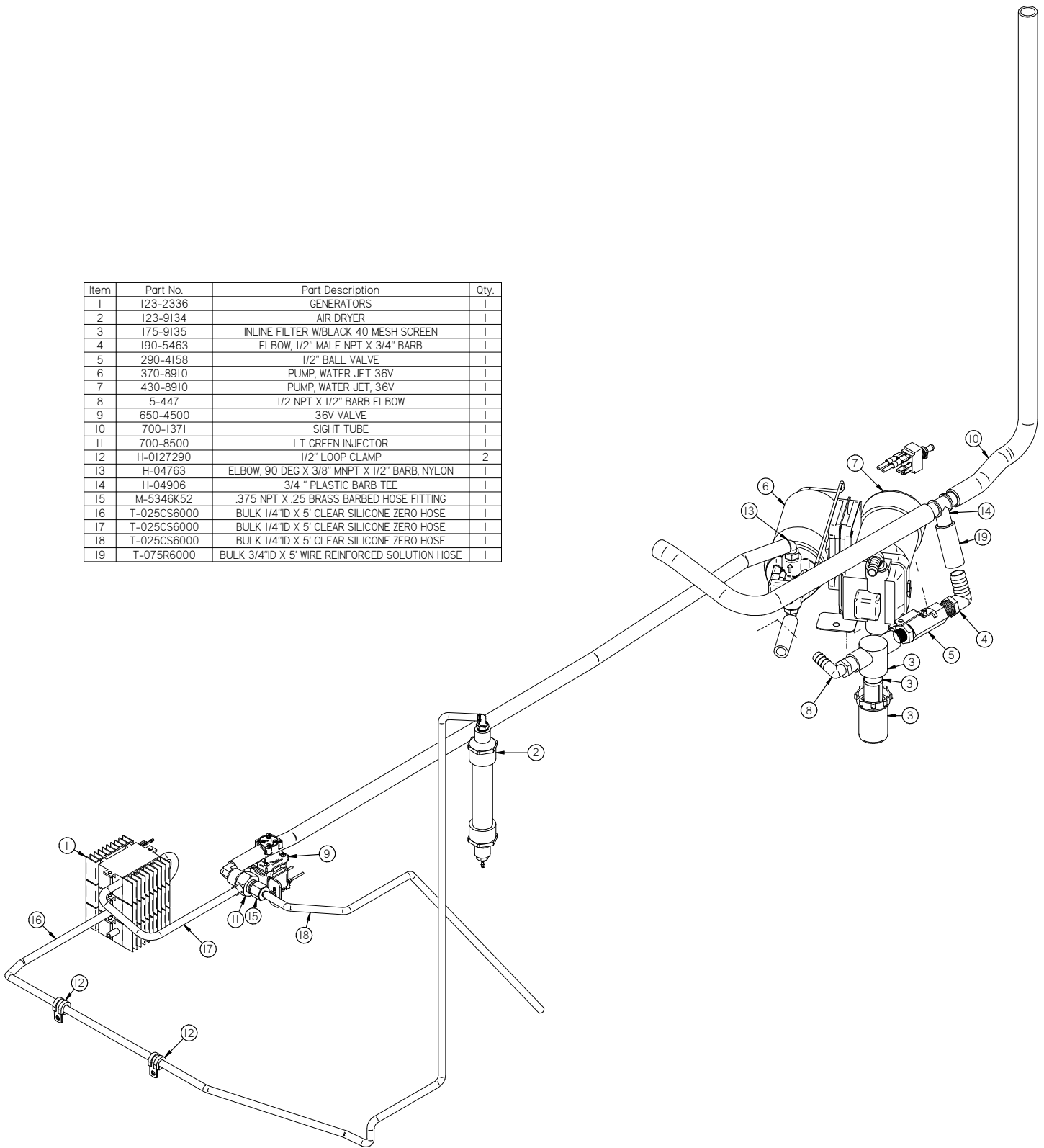


Item	Part No.	Part Description	Qty.
1	290-6187	LUG NUT, 1/2"- 20	8
2	370-5000	AXLE MOUNT BRACE	1
3	370-6040	REAR AXLE	1
4	370-6180	14" REAR WHEEL (BLACK RUBBER) TREADED	2
5	700-1107	XR SWING AWAY BUMPER/STEP	1
6	H-37130	NYLOK 1/2"-13	8
7	H-70858	NYLOK #10-32 SS	6
8	H-70862	NYLOK 3/8"-16 SS	2
9	H-72534	PPH #10-32 X 3/4" S/S	6
10	H-73779	BHSCS 5/16-18 X 3/4"	2
11	H-9540	RUBBER BUMPER, 25/32"	6



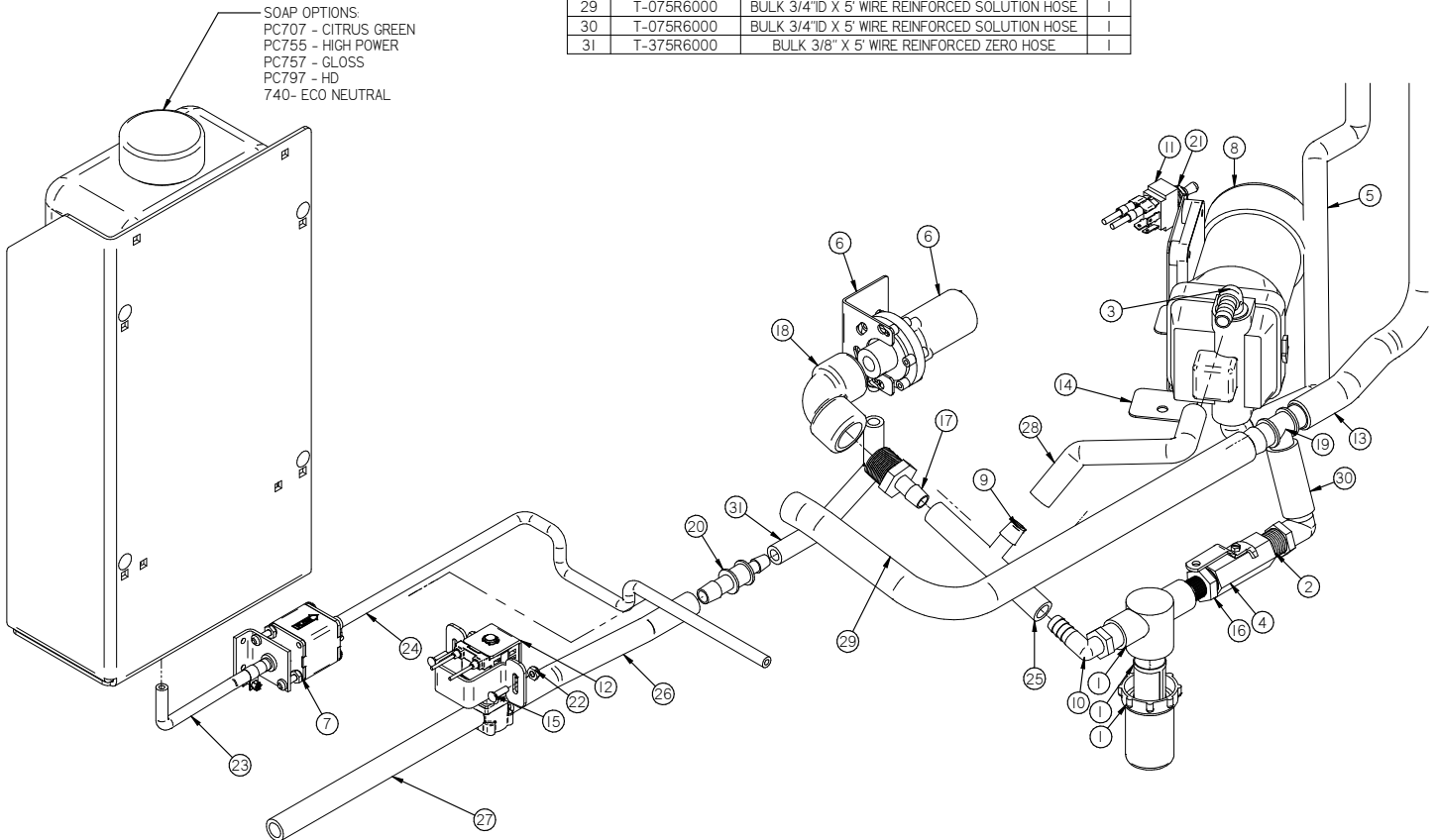
Item	Part No.	Part Description	Qty.
1	175-5280	VALVE BRACKET	1
2	175-9130	Filter Cap	1
3	175-9135S	Blue Filter Screen (50 mesh)	1
4	190-5463	ELBOW, 1/2" MALE NPT X 3/4" BARB	1
5	21-1601	1/2" BARBED ELBOW (PLASTIC)	2
6	290-1130	PUMP BRACKET	1
7	290-4158	1/2" BALL VALVE	1
8	290-8690	SPRAY JET HOSE	1
9	390-8500	PUMP, 36V DC	1
10	430-8910	PUMP, WATER JET, 36V	1
11	5-447	1/2 NPT X 1/2" BARB ELBOW	1
12	650-4500	36V VALVE	1
13	700-1371	SIGHT TUBE	1
14	700-8910	DUAL PUMP BRACKET	1
15	H-0172519	CB #10-32 X 5/8" SS	1
16	H-04763	.375 NPT X .50 BARB	1
17	H-04776	.75 NPT X .50 BARB	1
18	H-04787	.75 NPT X .75 NPT FEMALE ELBOW	1
19	H-04906	3/4 " PLASTIC BARB TEE	1
20	H-05076	1/2" to 3/8" COUPLING	1
21	H-70858	NYLOK #10-32 SS	1
22	T-050R6000	BULK 1/2"ID X 5' WIRE REINFORCED SOLUTION HOSE	1
23	T-050R6000	BULK 1/2"ID X 5' WIRE REINFORCED SOLUTION HOSE	1
24	T-050R6000	BULK 1/2"ID X 5' WIRE REINFORCED SOLUTION HOSE	1
25	T-050R6000	BULK 1/2"ID X 5' WIRE REINFORCED SOLUTION HOSE	1
26	T-075R6000	BULK 3/4"ID X 5' WIRE REINFORCED SOLUTION HOSE	1
27	T-375R6000	BULK 3/8" X 5' WIRE REINFORCED ZERO HOSE	1

Item	Part No.	Part Description	Qty.
1	123-2336	GENERATORS	1
2	123-9134	AIR DRYER	1
3	175-9135	INLINE FILTER W/BLACK 40 MESH SCREEN	1
4	190-5463	ELBOW, 1/2" MALE NPT X 3/4" BARB	1
5	290-4158	1/2" BALL VALVE	1
6	370-8910	PUMP, WATER JET 36V	1
7	430-8910	PUMP, WATER JET, 36V	1
8	5-447	1/2 NPT X 1/2" BARB ELBOW	1
9	650-4500	36V VALVE	1
10	700-1371	SIGHT TUBE	1
11	700-8500	LT GREEN INJECTOR	1
12	H-0127290	1/2" LOOP CLAMP	2
13	H-04763	ELBOW, 90 DEG X 3/8" MNPT X 1/2" BARB, NYLON	1
14	H-04906	3/4" PLASTIC BARB TEE	1
15	M-5346K52	.375 NPT X .25 BRASS BARBED HOSE FITTING	1
16	T-025CS6000	BULK 1/4"ID X 5' CLEAR SILICONE ZERO HOSE	1
17	T-025CS6000	BULK 1/4"ID X 5' CLEAR SILICONE ZERO HOSE	1
18	T-025CS6000	BULK 1/4"ID X 5' CLEAR SILICONE ZERO HOSE	1
19	T-075R6000	BULK 3/4"ID X 5' WIRE REINFORCED SOLUTION HOSE	1

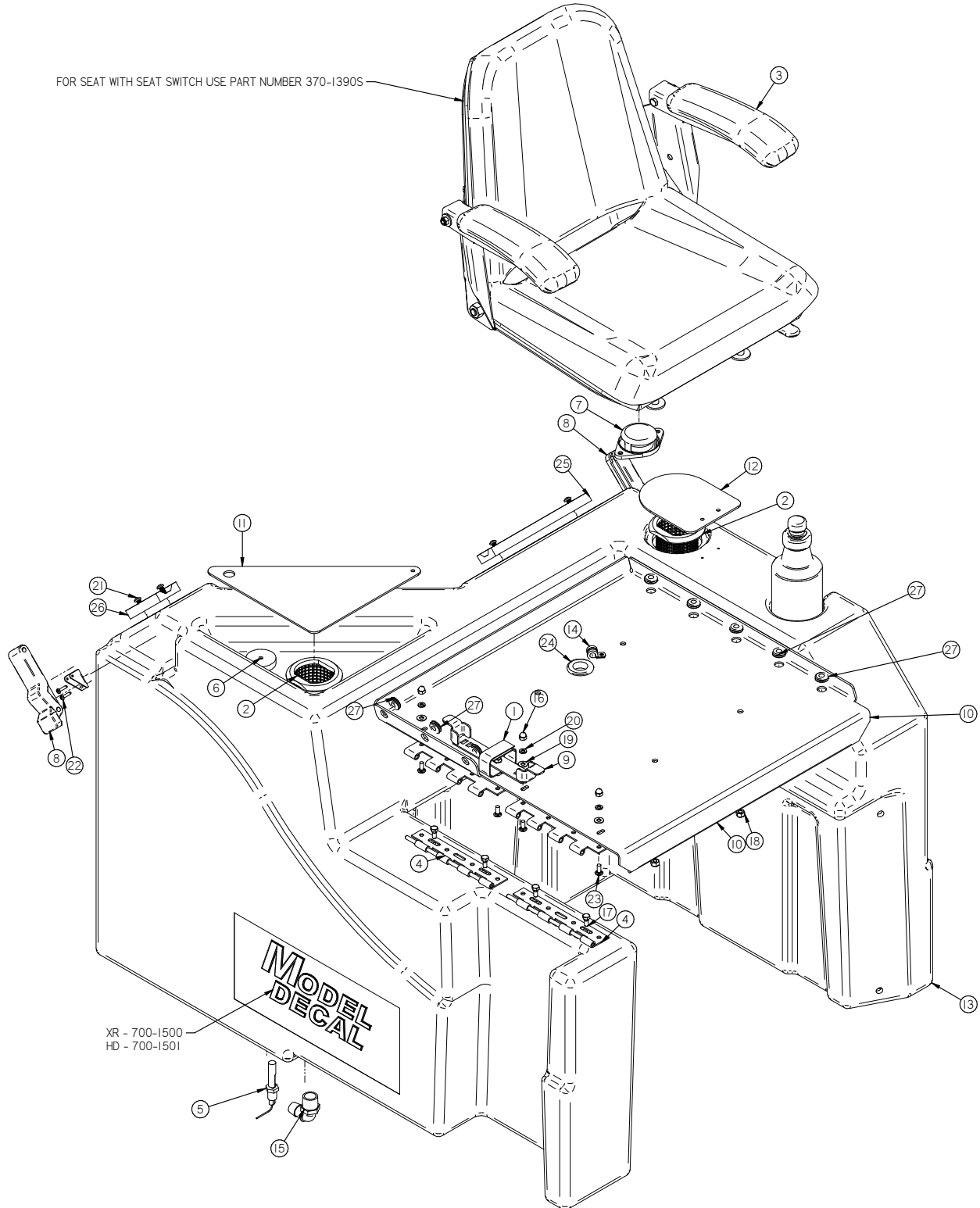


Item	Part No.	Part Description	Qty.
1	175-9135	INLINE FILTER W/BLACK 40 MESH SCREEN	1
2	190-5463	ELBOW, 1/2" MALE NPT X 3/4" BARB	1
3	21-1601	1/2" BARBED ELBOW (PLASTIC)	1
4	290-4158	1/2" BALL VALVE	1
5	290-8690	SPRAY JET HOSE	1
6	390-8500	PUMP, 36V DC	1
7	395-8500	SOAP PUMP, 36V	1
8	430-8910	PUMP, WATER JET, 36V	1
9	5-446	1/2" PLASTIC BARB TEE	1
10	5-447	1/2 NPT X 1/2" BARB ELBOW	1
11	650-2830	SWITCH, TOGGLE, MOM/OFF/MOM (DPDT)	1
12	650-4500	36V VALVE	1
13	700-1371	SIGHT TUBE	1
14	700-8910	DUAL PUMP BRACKET	1
15	H-0172519	CB #10-32 X 5/8" SS	1
16	H-04763	.375 NPT X .50 BARB	1
17	H-04776	.75 NPT X .50 BARB	1
18	H-04787	.75 NPT X .75 NPT FEMALE ELBOW	1
19	H-04906	3/4" PLASTIC BARB TEE	1
20	H-05076	1/2" to 3/8" COUPLING	1
21	H-11199	PROTECTIVE BOOT, TOGGLE SWITCH, (BLUE)	1
22	H-70858	NYLOK #10-32 SS	1
23	T-025CS6000	BULK 1/4"ID X 5' CLEAR SILICONE SUDS HOSE	1
24	T-025CS6000	BULK 1/4"ID X 5' CLEAR SILICONE SUDS HOSE	1
25	T-050R6000	BULK 1/2"ID X 5' WIRE REINFORCED SOLUTION HOSE	1
26	T-050R6000	BULK 1/2"ID X 5' WIRE REINFORCED SOLUTION HOSE	1
27	T-050R6000	BULK 1/2"ID X 5' WIRE REINFORCED SOLUTION HOSE	1
28	T-050R6000	BULK 1/2"ID X 5' WIRE REINFORCED SOLUTION HOSE	1
29	T-075R6000	BULK 3/4"ID X 5' WIRE REINFORCED SOLUTION HOSE	1
30	T-075R6000	BULK 3/4"ID X 5' WIRE REINFORCED SOLUTION HOSE	1
31	T-375R6000	BULK 3/8" X 5' WIRE REINFORCED ZERO HOSE	1

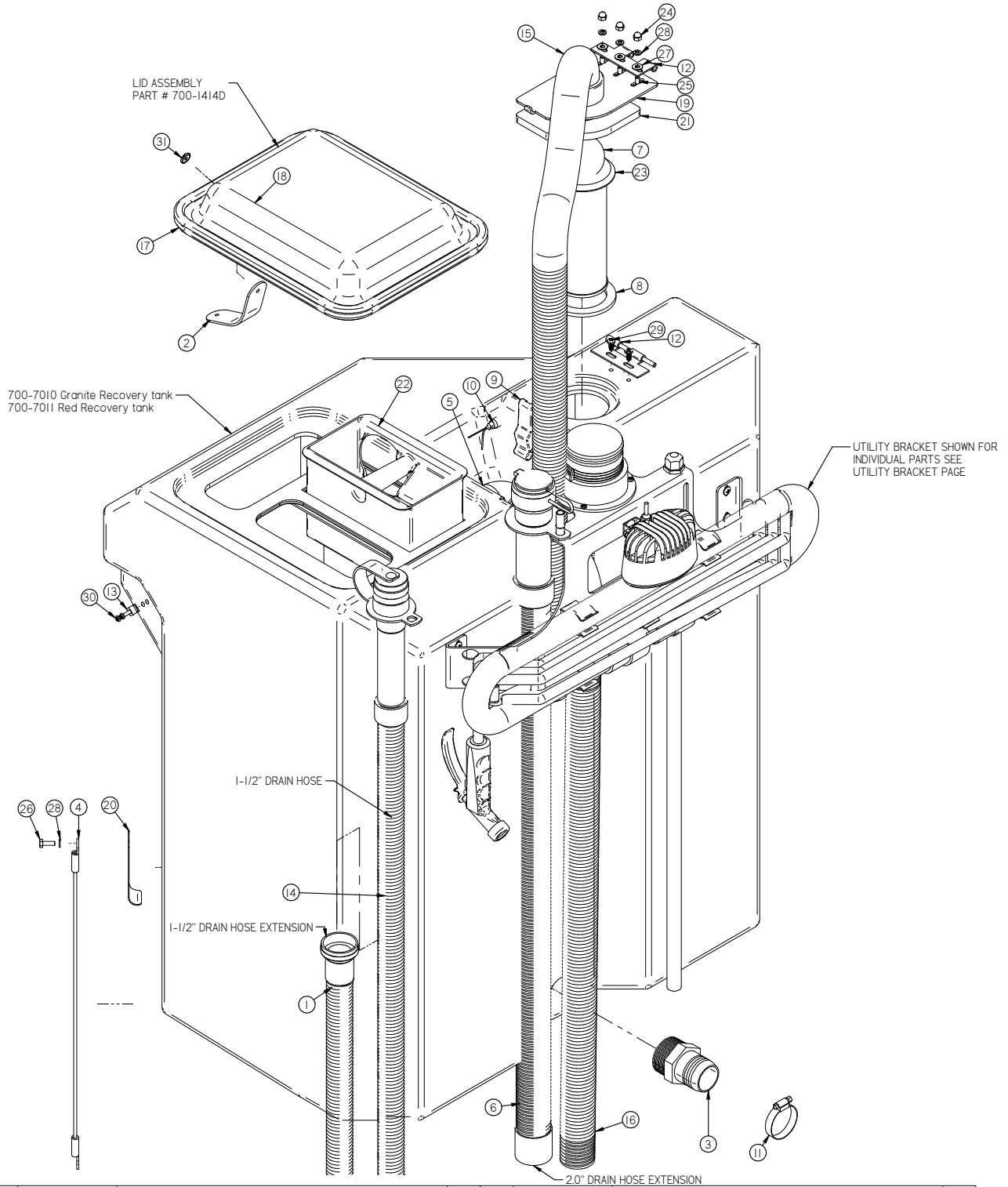
SOAP OPTIONS:  
 PC707 - CITRUS GREEN  
 PC755 - HIGH POWER  
 PC757 - GLOSS  
 PC797 - HD  
 740- ECO NEUTRAL



Solution Tank



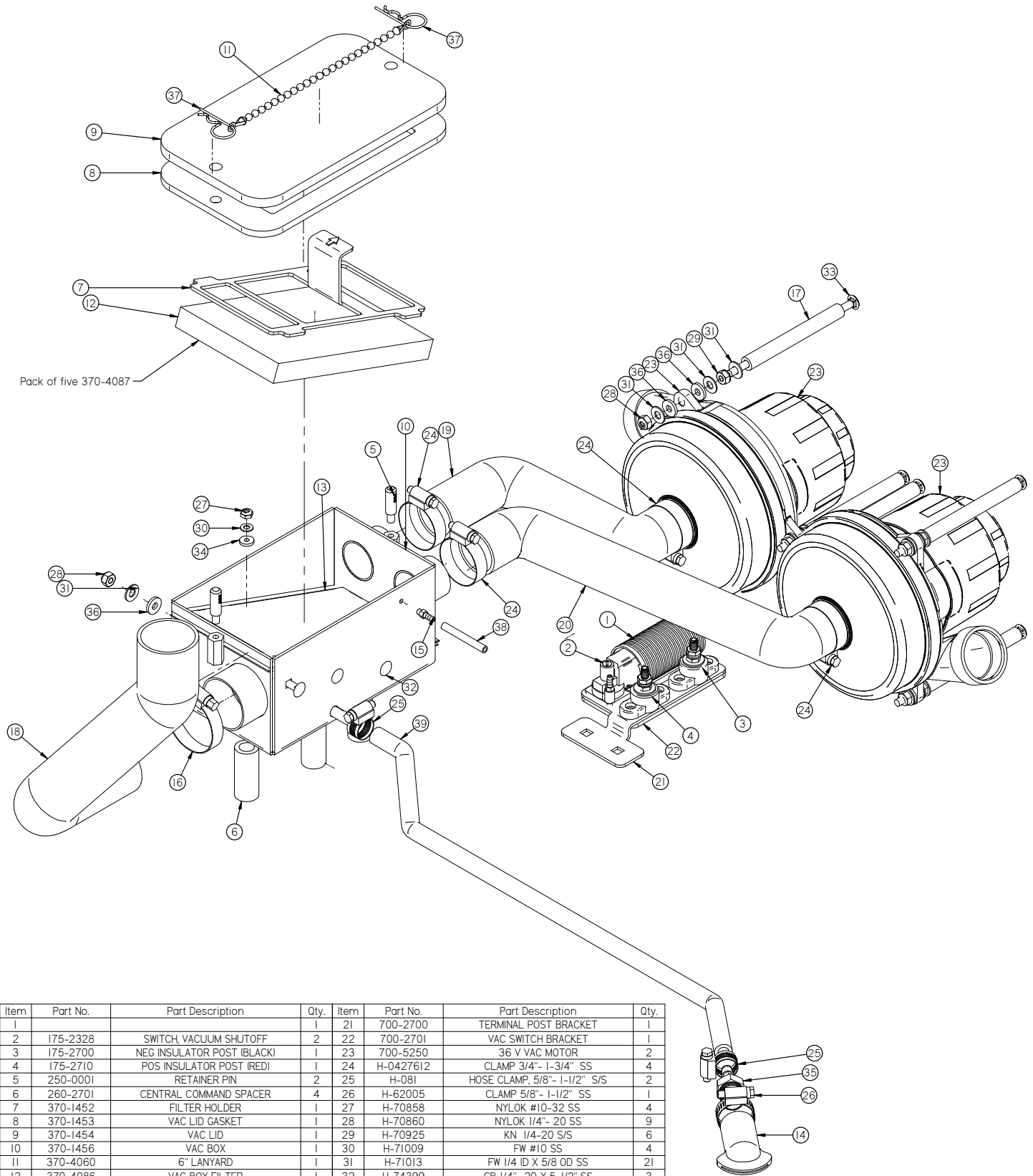
Item	Part No.	Part Description	Qty.	Item	Part No.	Part Description	Qty.
1	175-2462	VELCRO STRAP	1	15	H-04907	3/4" NPT TO 3/4" BARBED ELBOW	1
2	260-8910	SOLUTION FILL BASKET	2	16	H-37708	1/4-20 LC ACORN NUT	4
3	370-1390	SEAT WITH ARM RESTS	1	17	H-70002	HCS 1/4"-20 X 5/8" SS	4
4	5-122	8" SS HINGE	2	18	H-70861	NYLOK 5/16" - 18 SS	4
5	5-226	FLOAT SWITCH	1	19	H-71013	FW 1/4 ID X 5/8 OD SS	4
6	500-1380	FILL HOSE	1	20	H-71063	LW 1/4" SS	4
7	500-1431	SEAT SWITCH	1	21	H-71893	1/4 X 3/4 SELF TAPPING SCREW	4
8	600-1240	LATCH	2	22	H-72916	PPH SMS #8 X 3/4" SS	4
9	650-4042	CORD WRAP	1	23	H-74418	CB 1/4"- 20 X 5/8" S/S	4
10	700-1102	BATTERY LID	1	24	H-9307K74	GROMMET, 1" ID X 1-3/4" OD BUNA-N	1
11	700-1222	SOLUTION FILL CURTAIN	1	25	M-8146A44	GREY TANK RUBBER 9 INCH	1
12	700-1223	SOLUTION FILL CURTAIN	1	26	M-8146A44	GREY TANK RUBBER 5 INCH	1
13	700-4140	XR SOLUTION TANK	1	27	M-9307K23	GROMMET, 3/8 ID X 7/8 OD X 1/8 TH.	8



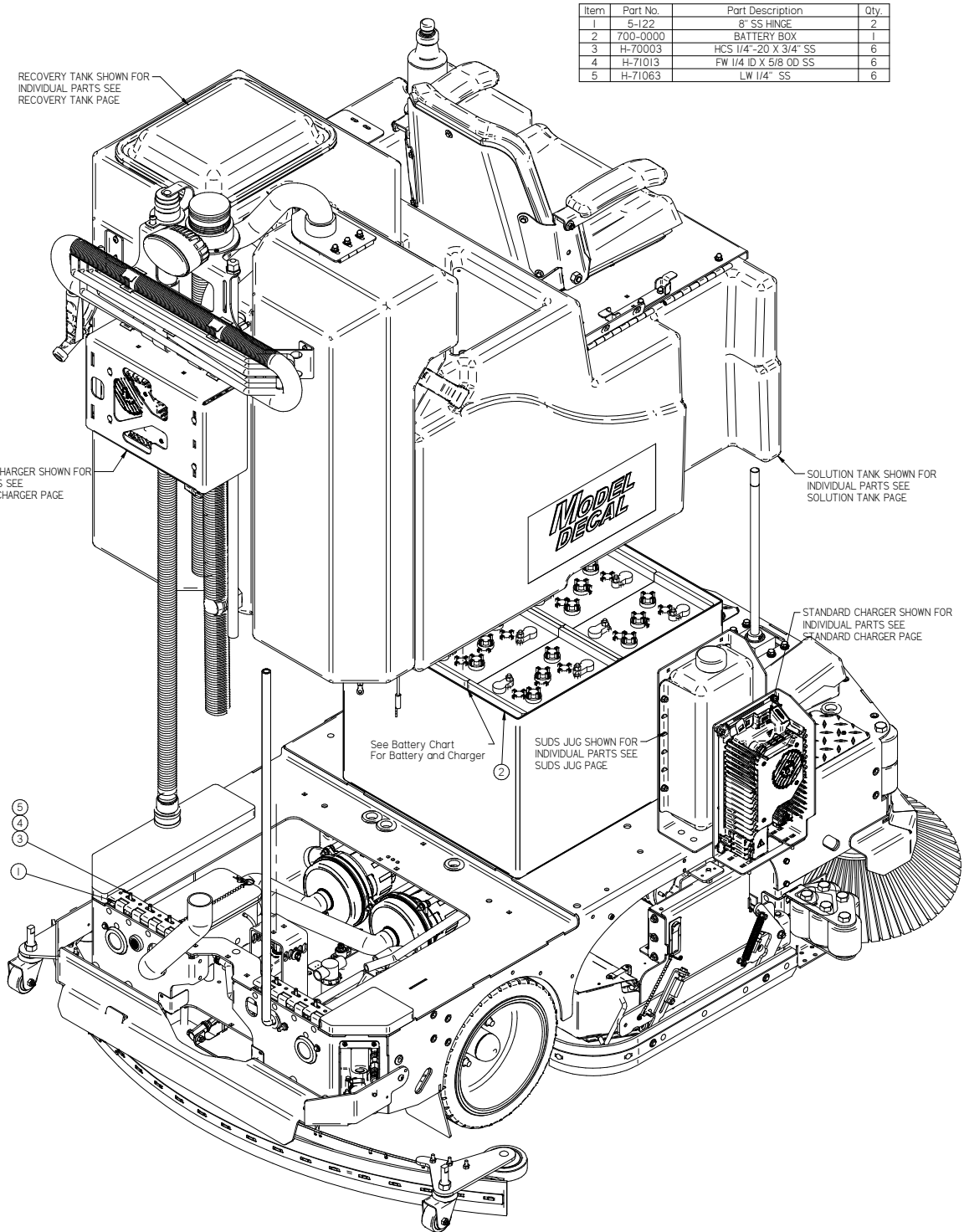
Item	Part No.	Part Description	Qty.	Item	Part No.	Part Description	Qty.
1	175-0122	DRAIN HOSE EXTENSION	1	16	700-0111	SQUEEGEE HOSE	1
2	175-1412	TANK LID STRAP	1	17	700-1075	PUSH-ON RUBBER GASKET	1
3	190-1210	2.0 NPT X 2.0" BARB	1	18	700-1414	VAC FORMED CLEAR COVER	1
4	260-7890	SQUEEGEE LIFT CABLE	1	19	700-4109	VAC SCREEN LID	1
5	290-7040	2" NPT X 2" BARB STREET ELBOW, BLACK	1	20	700-7020	TANK CABLE GUARD PLATE	1
6	370-7211	RECOVERY DRAIN HOSE	1	21	700-7389	VAC INLET GASKET	1
7	38-712	OVERFILL SHUTOFF BALL	1	22	700-8915	DRAIN SAVER BASKET	1
8	38-738	STRAINER GASKET	1	23	8-911	SCREEN STRAINER	1
9	4-124	LATCH	1	24	H-37708	1/4-20 LC ACORN NUT	3
10	5-226	FLOAT VALVE SWITCH	1	25	H-70001	HCS 1/4"-20 X 1/2 SS"	3
11	5-719	CLAMP 1.91/6 - 2 1/2" SS	1	26	H-70003	HCS 1/4"-20 X 3/4" SS	1
12	600-1220	4" SS HINGE	1	27	H-71013	FW 1/4" ID X 5/8" OD SS	3
13	600-1240	600-1240 clippsm	1	28	H-71063	LW 1/4" SS	4
14	650-7210	RECOVERY DRAIN HOSE	1	29	H-71893	1/4 X 3/4 SELF TAPPING SCREW	2
15	700-0110	VAC HOSE	1	30	H-72534	PPH #10-32 X 3/4" S/S	2
				31	M-91620A930	FASTENER CAP	1



Vacuum Box Assembly

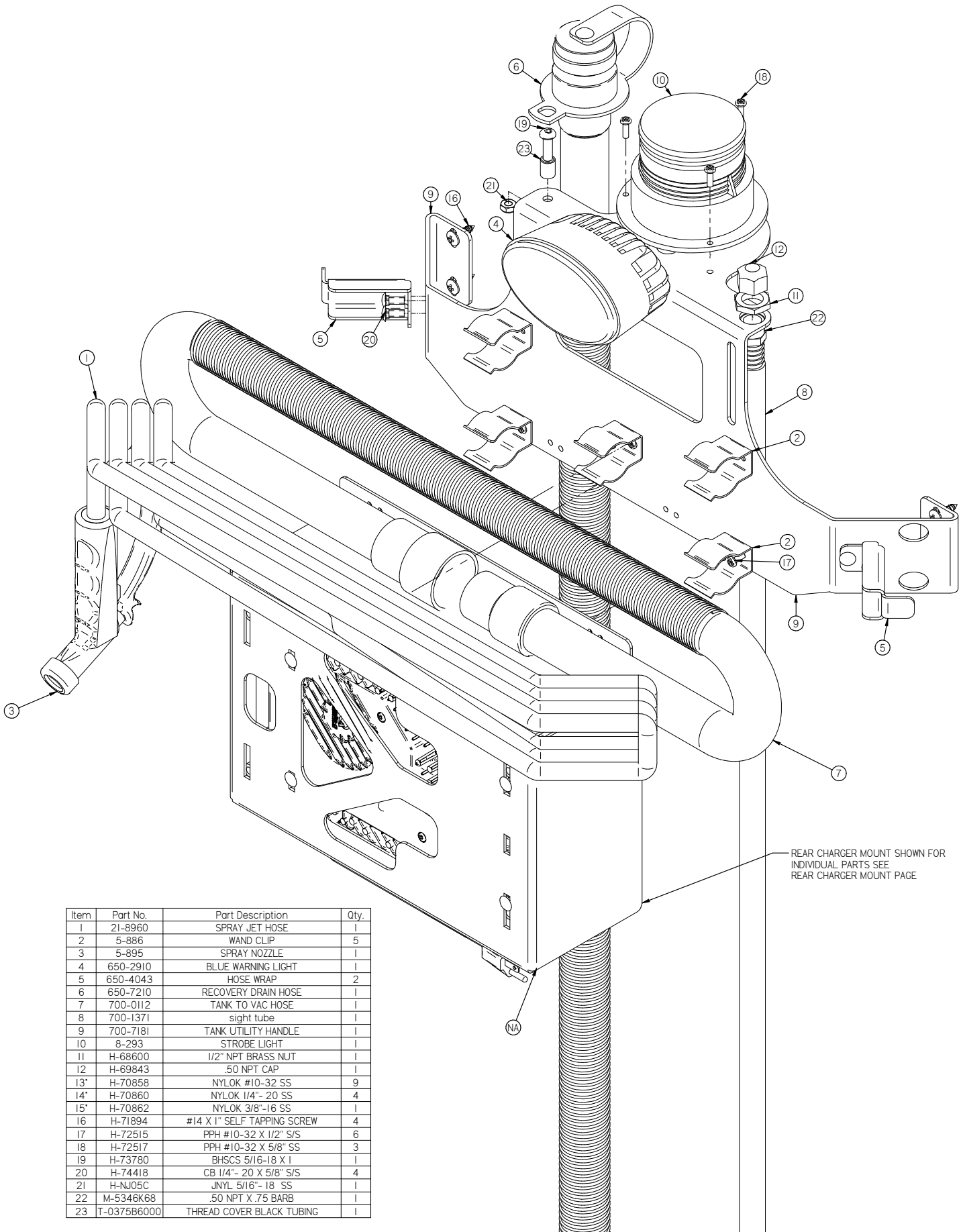


Item	Part No.	Part Description	Qty.	Item	Part No.	Part Description	Qty.
1			1	21	700-2700	TERMINAL POST BRACKET	1
2	175-2328	SWITCH, VACUUM SHUTOFF	2	22	700-2701	VAC SWITCH BRACKET	1
3	175-2700	NEG INSULATOR POST (BLACK)	1	23	700-5250	36 V VAC MOTOR	2
4	175-2710	POS INSULATOR POST (RED)	1	24	H-0427612	CLAMP 3/4"- 1-3/4" SS	4
5	250-0001	RETAINER PIN	2	25	H-081	HOSE CLAMP, 5/8"- 1-1/2" S/S	2
6	260-2701	CENTRAL COMMAND SPACER	4	26	H-62005	CLAMP 5/8"- 1-1/2" SS	1
7	370-1452	FILTER HOLDER	1	27	H-70858	NYLOK #10-32 SS	4
8	370-1453	VAC LID GASKET	1	28	H-70860	NYLOK 1/4"- 20 SS	9
9	370-1454	VAC LID	1	29	H-70925	KN 1/4-20 S/S	6
10	370-1456	VAC BOX	1	30	H-71009	FW #10 SS	4
11	370-4060	6" LANYARD	1	31	H-71013	FW 1/4 ID X 5/8 OD SS	21
12	370-4086	VAC BOX FILTER	1	32	H-74399	CB 1/4"- 20 X 5-1/2" SS	3
13	370-5020	DUST FILTER	1	33	H-74400	CB 1/4"- 20 X 6.0" SS	6
14	390-1505	LOADER VALVE	1	34	H-90133	.17 ID X .5 OD X .093 NEOPRENE WASHER	4
15	390-2328A	VACUUM SWITCH BARB	1	35	M-5463K461	50 NPT X .375 BARBpar	1
16	5-719	CLAMP, 1.9/16 - 2 1/2" SS	1	36	M-90130A029	.25" NEOPRENE WASHER	15
17	700-0008	VAC MOTOR SPACER	6	37	M-92391A044	HAIRPIN, 5/16" - 3/8" X 1-7/16" S/S	2
18	700-0110	2.0" X 70" VAC HOSE	1	38	T-025C6000	VAC SWITCH HOSE	1
19	700-0113	1-1/2" X 10" VAC HOSE	1	39	T-025Y6000	VAC BOX DRAIN HOSE	1
20	700-0114	1-1/2" X 16" VAC HOSE	1				



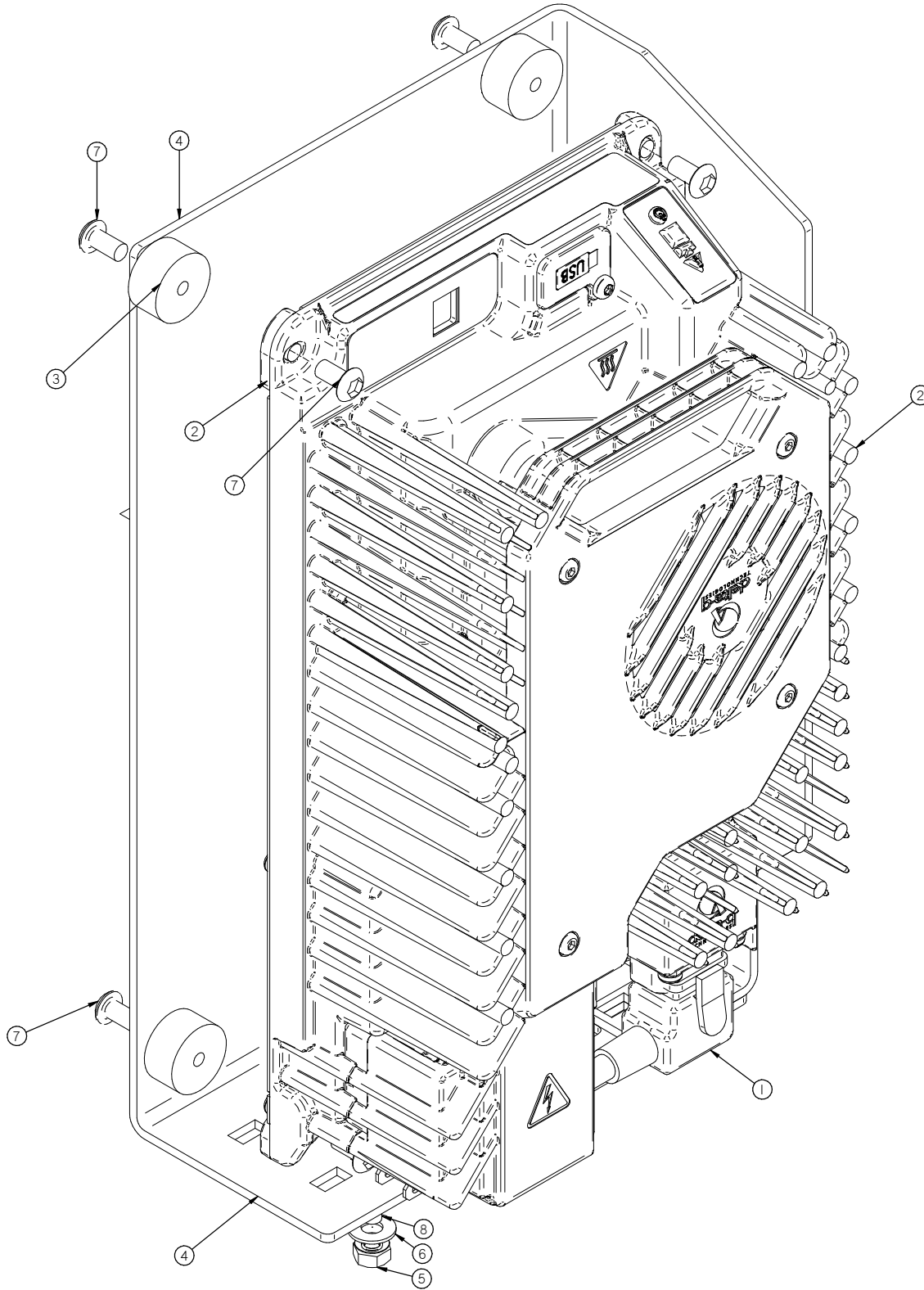
WHICH BATTERY CHARGER TO USE WITH BATTERY SELECTION	
Battery Part Number & Description	Onboard Charger / North America / International
370-2117 (6V / 315AH - WET)	370-2460 (36VDC / 33A)
370-2118 (6V / 425AH - WET)	370-2460 (36VDC / 33A)
370-2121 (6V / 400AH - AGM)	370-2460 (36VDC / 33A)

Utility Bracket

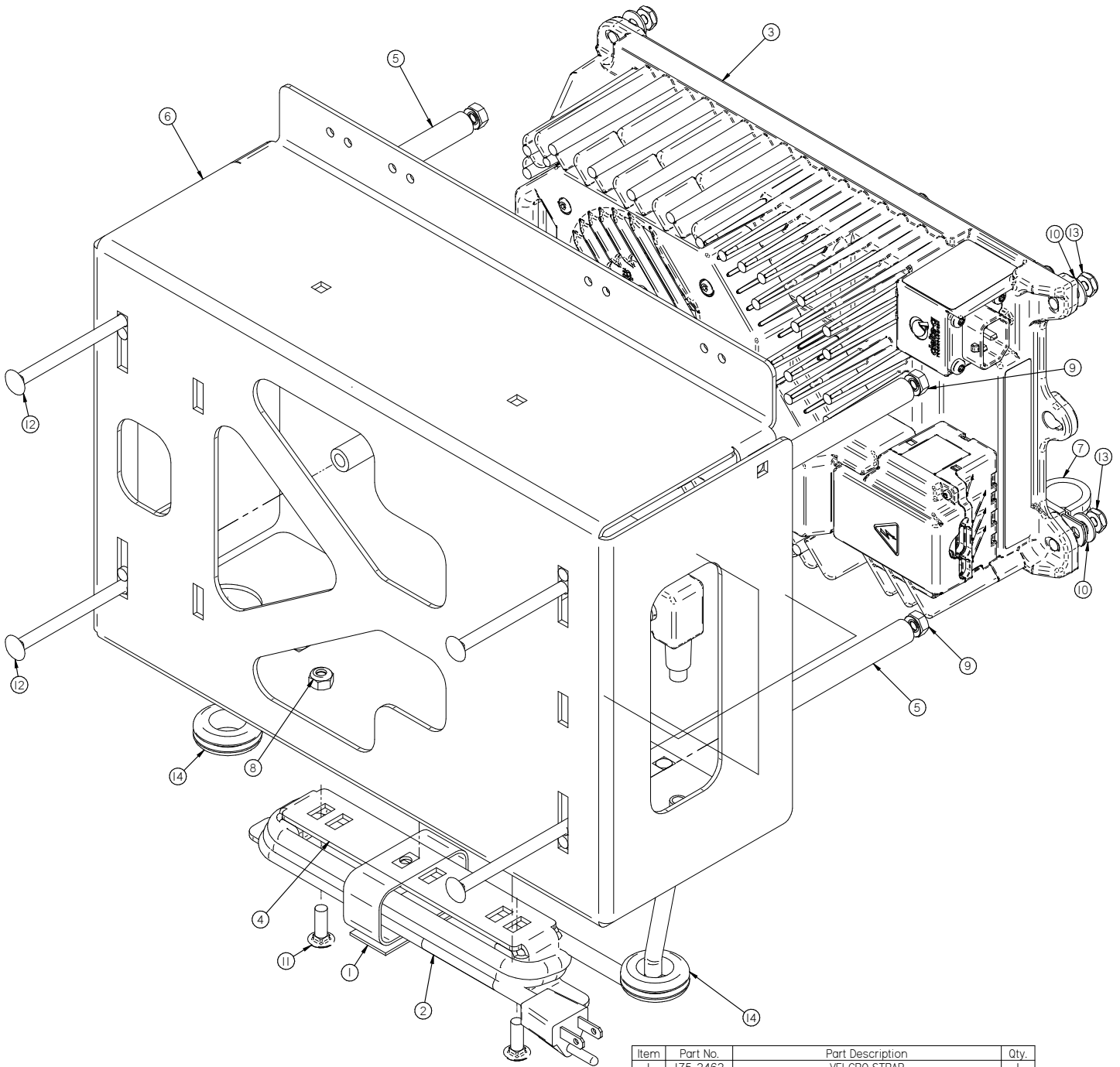


Item	Part No.	Part Description	Qty.
1	21-8960	SPRAY JET HOSE	1
2	5-886	WAND CLIP	5
3	5-895	SPRAY NOZZLE	1
4	650-2910	BLUE WARNING LIGHT	1
5	650-4043	HOSE WRAP	2
6	650-7210	RECOVERY DRAIN HOSE	1
7	700-0112	TANK TO VAC HOSE	1
8	700-1371	sight tube	1
9	700-7181	TANK UTILITY HANDLE	1
10	8-293	STROBE LIGHT	1
11	H-68600	1/2" NPT BRASS NUT	1
12	H-69843	.50 NPT CAP	1
13'	H-70858	NYLOK #10-32 SS	9
14'	H-70860	NYLOK 1/4"-20 SS	4
15'	H-70862	NYLOK 3/8"-16 SS	1
16	H-71894	#14 X 1" SELF TAPPING SCREW	4
17	H-72515	PPH #10-32 X 1/2" S/S	6
18	H-72517	PPH #10-32 X 5/8" SS	3
19	H-73780	BHSCS 5/16-18 X 1	1
20	H-74418	CB 1/4"-20 X 5/8" S/S	4
21	H-NJ05C	JNYL 5/16"-18 SS	1
22	M-5346K68	.50 NPT X .75 BARB	1
23	T-0375B6000	THREAD COVER BLACK TUBING	1

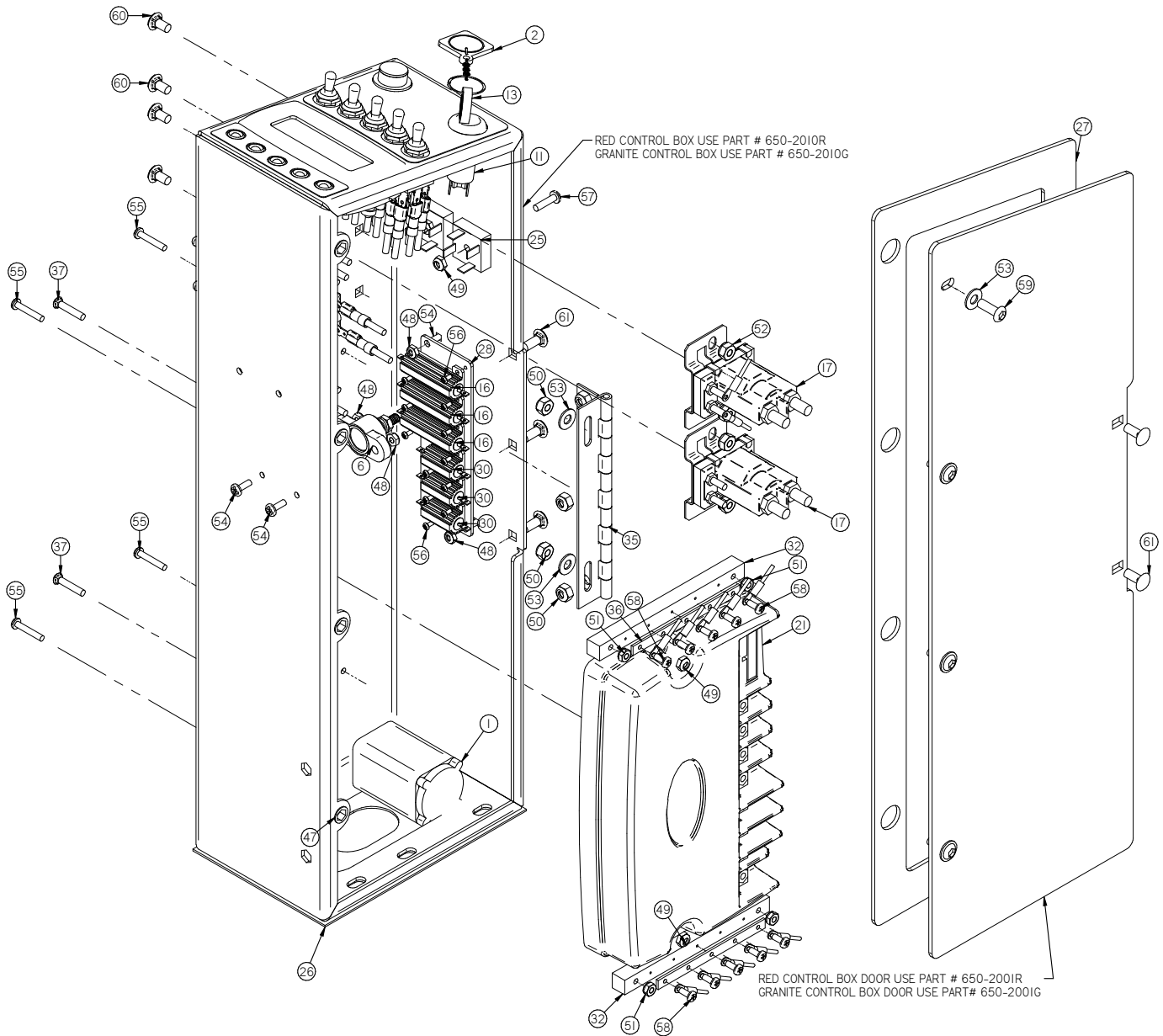
REAR CHARGER MOUNT SHOWN FOR INDIVIDUAL PARTS SEE REAR CHARGER MOUNT PAGE



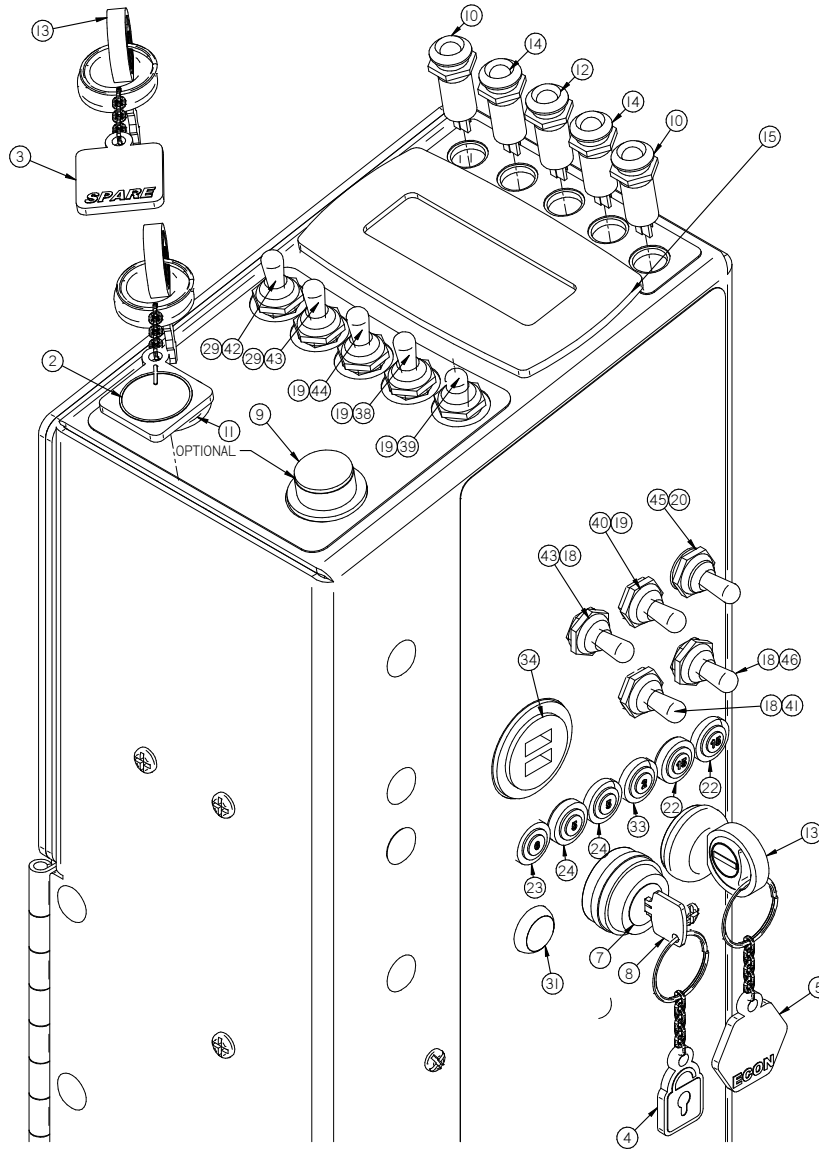
Item	Part No.	Part Description	Qty.
1	253-2470	POWER CORD	1
2	370-2460D	ON BOARD CHARGER 1200-36V	1
3	650-0103	IX1/2X1/4-20 (55D) FEMALE ISOLATOR	4
4	650-2451	CHARGER MOUNT	1
5	H-70925	KN 1/4-20 S/S	4
6	H-71013	FW 1/4 ID X 5/8 OD SS	4
7	H-73752	BHSCS 1/4 - 20 X 1/2" SS	8
8	H-74420	CB 1/4" - 20 X 1.0" SS	4



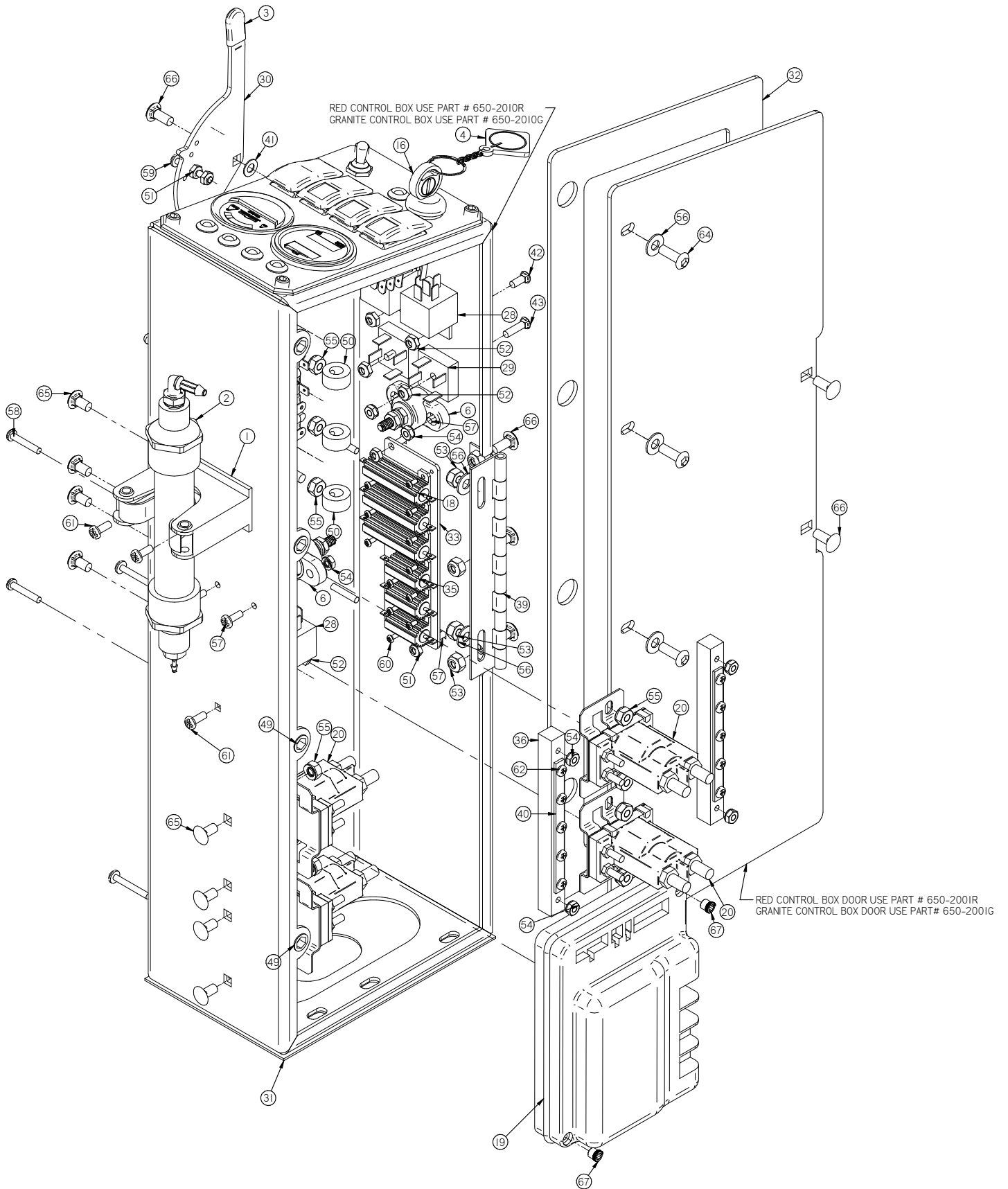
Item	Part No.	Part Description	Qty.
1	175-2462	VELCRO STRAP	1
2	253-2470	POWER CORD	1
3	370-2460D	ON BOARD CHARGER 1200-36V	1
4	650-4042	CORD WRAP	1
5	700-0009	CHARGER SPACER	4
6	700-7183	HORIZONTAL CHARGER MOUNT	1
7	H-0127295	7/8" LOOP CLAMP	1
8	H-70860	NYLON 1/4"- 20 SS	2
9	H-70925	KN 1/4"-20 S/S	4
10	H-71013	FW 1/4 ID X 5/8 OD SS	4
11	H-74419	CB 1/4"- 20 X .75" SS	2
12	H-74428	CB 1/4"- 20 X 4.5" SS	4
13	H-NJ04C	JNYL 1/4" - 20 SS	4
14	M-9307K82	GROMMET, 3/4" ID X 1-3/8" OD BUNA-N	2



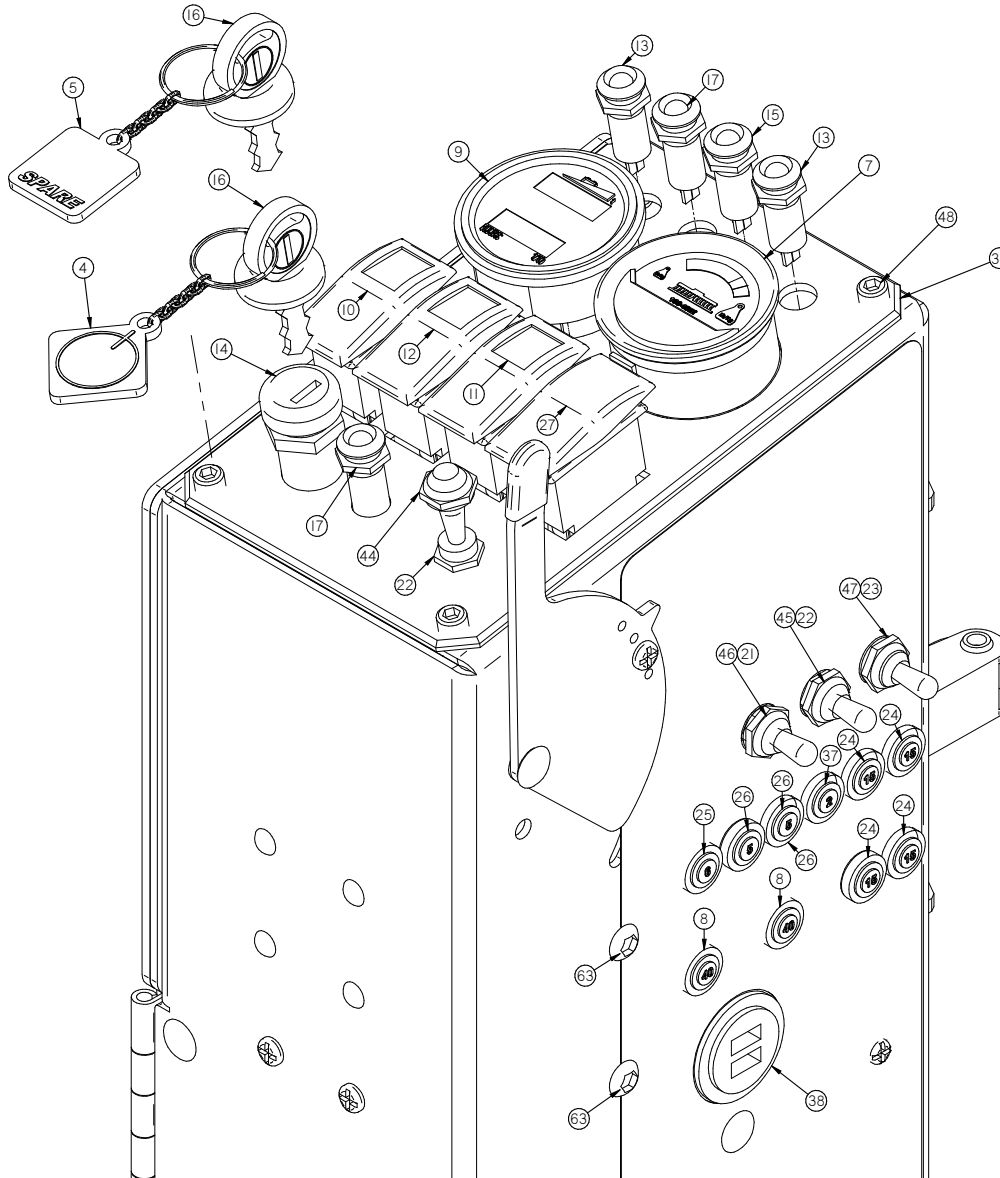
Item	Part No.	Part Description	Qty.	Item	Part No.	Part Description	Qty.
1	170-8500	HEATER	1	31	7-229D	PUSH BUTTON SWITCH	1
2	175-2352	POWER KEY FOB	1	32	7-287	BUSS BAR UHMW	2
3	175-2352	SPARE KEY FOB	1	33	7-837	FUSE RESETTABLE 2 AMP	1
4	175-2352	MANAGER LOCK OUT KEY FOB	1	34	700-2590	DUAL USB PORTS	1
5	175-2352	ECON KEY FOB	1	35	8-180	HINGE, 6-7/8" S/S	1
6	175-2700	NEG INSULATOR POST (BLACK)	1	36	E-5HBB	5 HOLE BUSS BAR	2
7	264-234	LOCKOUT KEY SWITCH	1	37	H-0172521	CB #10-32 X 1" SS	2
8	264-234A	MANGER LOCK OUT KEY	1	38	H-11195	PROTECTIVE BOOT, TOGGLE SWITCH, (WHITE)	1
9	290-2015	ONE TOUCH BUTTON	1	39	H-11196	PROTECTIVE BOOT, TOGGLE SWITCH, (RED)	1
10	290-2330	RED LIGHT	2	40	H-11197	PROTECTIVE BOOT, TOGGLE SWITCH, (YELLOW)	1
11	290-234	KEY SWITCH (WITH KEY)	2	41	H-11198	PROTECTIVE BOOT, TOGGLE SWITCH, (GREEN)	1
12	290-2340	GREEN LIGHT	1	42	H-11199	PROTECTIVE BOOT, TOGGLE SWITCH, (BLUJE)	1
13	290-234A	KEY SET (REPLACE)	3	43	H-11200	PROTECTIVE BOOT, TOGGLE SWITCH, (BLACK)	2
14	290-2350	YELLOW LIGHT	2	44	H-11201	PROTECTIVE BOOT, TOGGLE SWITCH, (GRAY)	1
15	290-2891	LCD SCREEN	1	45	H-11202	PROTECTIVE BOOT, TOGGLE SWITCH, (ORANGE)	1
16	290-9581	RESISTER	3	46	H-11203	PROTECTIVE BOOT, TOGGLE SWITCH, (PURPLE)	1
17	370-2331	RELAY, 36V, SMALL, W/FLAT MTG PLATE	2	47	H-250HCN	HCN 1/4"-20	4
18	370-2831	SWITCH, TOGGLE, ON/OFF/ON (DPDT)	3	48	H-70856	NYLOK #8-32 SS	4
19	370-8210	SWITCH, TOGGLE, ON/ON (DPDT)	4	49	H-70858	NYLOK #10-32 SS	6
20	370-8920	TOGGLE, ON-OFF SPST	1	50	H-70860	NYLOK 1/4" - 20 SS	5
21	390-2899	CONTROLLER V4	1	51	H-70922	KN #8-32	4
22	390-9615	FUSE, RESETTABLE, 15 AMP, 50V DC MAX	2	52	H-70925	KN 1/4-20 S/S	4
23	4-284	FUSE, RESETTABLE, 6 AMP, 50V DC MAX	1	53	H-71013	FW 1/4 ID X 5/8 OD SS	6
24	4-960	FUSE, RESETTABLE, 5 AMP, 50V DC MAX	2	54	H-72398	PPH #8-32 X 1/2" S/S	4
25	5-296	DIODE BRIDGE	2	55	H-72418	PPH #8-32 X 1" S/S	4
26	650-2004	CENTRAL COMMAND DUST CURTAIN	1	56	H-72486	PPH #4-40 X 1/2" S/S	12
27	650-2005	ACCESS COVER GASKET	1	57	H-72534	PPH #10-32 X 3/4" S/S	2
28	650-2007	RESISTER PLATE	1	58	H-72914	PPH SMS #8 X 1/2"	10
29	650-2830	SWITCH, TOGGLE, MOM/OFF/MOM (DPDT)	2	59	H-73754	BHSCS 1/4 - 20 X 3/4" SS	4
30	650-9581	RESISTER	3	60	H-74417	CB 1/4"- 20 X.5" SS	4
				61	H-74418	CB 1/4"- 20 X 5/8" S/S	5



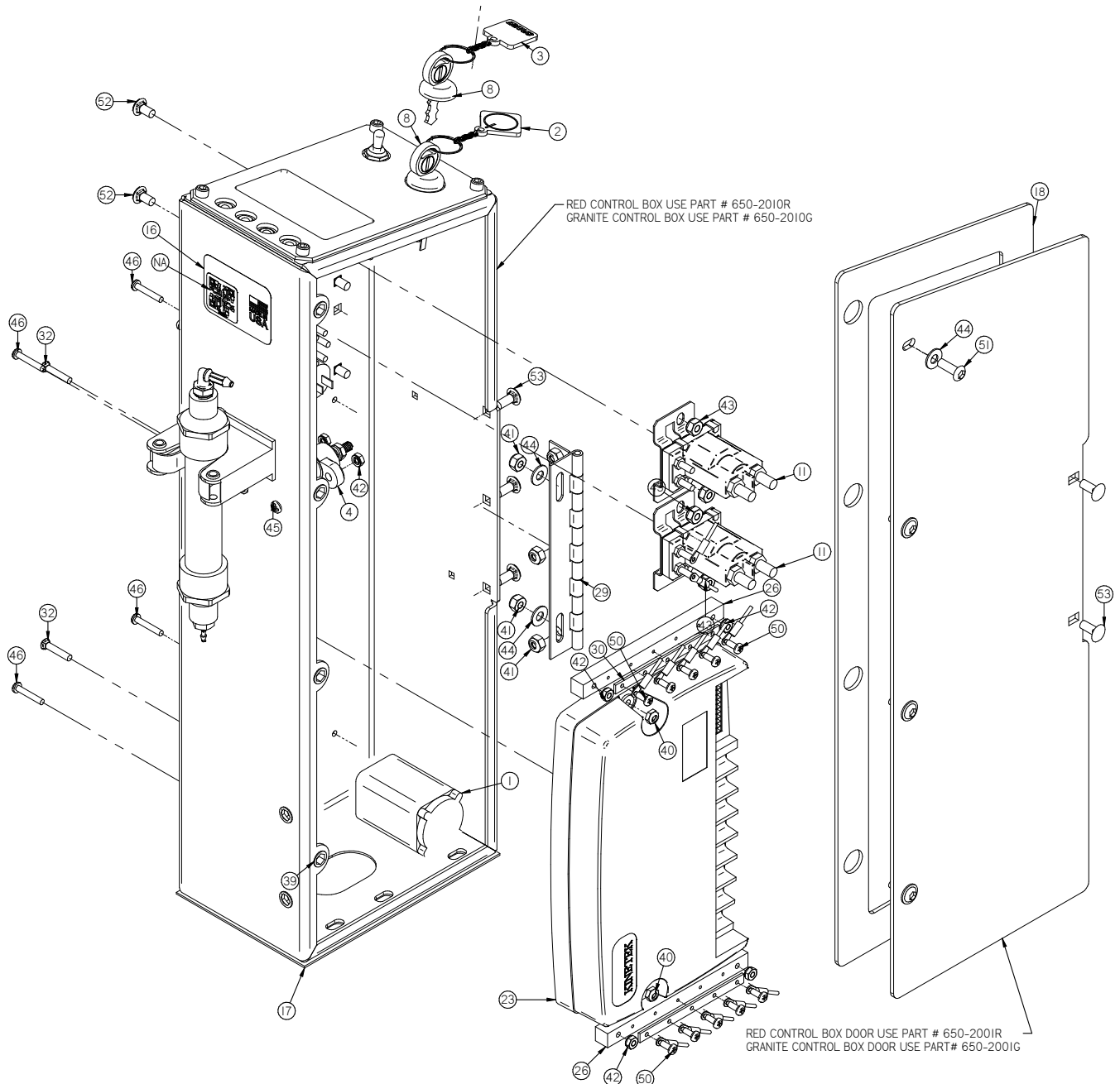
Item	Part No.	Part Description	Qty.	Item	Part No.	Part Description	Qty.
1	170-8500	HEATER	1	31	7-2290	PUSH BUTTON SWITCH	1
2	175-2352	POWER KEY FOB	1	32	7-287	BUSS BAR UHMW	2
3	175-2352	SPARE KEY FOB	1	33	7-837	FUSE RESETTABLE 2 AMP	1
4	175-2352	MANAGER LOCK OUT KEY FOB	1	34	700-2590	DUAL USB PORTS	1
5	175-2352	ECON KEY FOB	1	35	8-180	HINGE, 6-7/8" S/S	1
6	175-2700	NEG INSULATOR POST (BLACK)	1	36	E-5HBB	5 HOLE BUSS BAR	2
7	264-234	LOCKOUT KEY SWITCH	1	37	H-0172521	CB #10-32 X 1" SS	2
8	264-234A	MANGER LOCK OUT KEY	1	38	H-11195	PROTECTIVE BOOT, TOGGLE SWITCH, (WHITE)	1
9	290-2015	ONE TOUCH BUTTON	1	39	H-11196	PROTECTIVE BOOT, TOGGLE SWITCH, (RED)	1
10	290-2330	RED LIGHT	2	40	H-11197	PROTECTIVE BOOT, TOGGLE SWITCH, (YELLOW)	1
11	290-234	KEY SWITCH (WITH KEY)	2	41	H-11198	PROTECTIVE BOOT, TOGGLE SWITCH, (GREEN)	1
12	290-2340	GREEN LIGHT	1	42	H-11199	PROTECTIVE BOOT, TOGGLE SWITCH, (BLUE)	1
13	290-234A	KEY SET (REPLACE)	3	43	H-11200	PROTECTIVE BOOT, TOGGLE SWITCH, (BLACK)	2
14	290-2350	YELLOW LIGHT	2	44	H-11201	PROTECTIVE BOOT, TOGGLE SWITCH, (GRAY)	1
15	290-2891	LCD SCREEN	1	45	H-11202	PROTECTIVE BOOT, TOGGLE SWITCH, (ORANGE)	1
16	290-9581	RESISTOR	3	46	H-11203	PROTECTIVE BOOT, TOGGLE SWITCH, (PURPLE)	1
17	370-2331	RELAY, 36V, SMALL W/FLAT MTG PLATE	2	47	H-250HCN	HCN 1/4"-20	4
18	370-2831	SWITCH, TOGGLE, ON/OFF/ON (DPDT)	3	48	H-70856	NYLOK #8-32 SS	4
19	370-8210	SWITCH, TOGGLE, ON/ON (DPDT)	4	49	H-70858	NYLOK #10-32 SS	6
20	370-8920	TOGGLE, ON-OFF SPST	1	50	H-70860	NYLOK 1/4"-20 SS	5
21	390-2899	CONTROLLER V4	1	51	H-70922	KN #8-32	4
22	390-9615	FUSE, RESETTABLE, 15 AMP, 50V DC MAX	2	52	H-70925	KN 1/4-20 S/S	4
23	4-284	FUSE, RESETTABLE, 6 AMP, 50V DC MAX	1	53	H-71013	FW 1/4 ID X 5/8 OD SS	6
24	4-960	FUSE, RESETTABLE, 5 AMP, 50V DC MAX	2	54	H-72398	PPH #8-32 X 1/2" S/S	4
25	5-296	DIODE BRIDGE	2	55	H-72418	PPH #8-32 X 1" S/S	4
26	650-2004	CENTRAL COMMAND DUST CURTAIN	1	56	H-72486	PPH #4-40 X 1/2" S/S	12
27	650-2005	ACCESS COVER GASKET	1	57	H-72534	PPH #10-32 X 3/4" S/S	2
28	650-2007	RESISTER PLATE	1	58	H-72914	PPH SMS #8 X 1/2"	10
29	650-2830	SWITCH, TOGGLE, MOM/OFF/MOM (DPDT)	2	59	H-73754	BHSCS 1/4 - 20 X 3/4" SS	4
30	650-9581	RESISTER	3	60	H-74417	CB 1/4"- 20 X .5" SS	4
				61	H-74418	CB 1/4"- 20 X 5/8" S/S	5





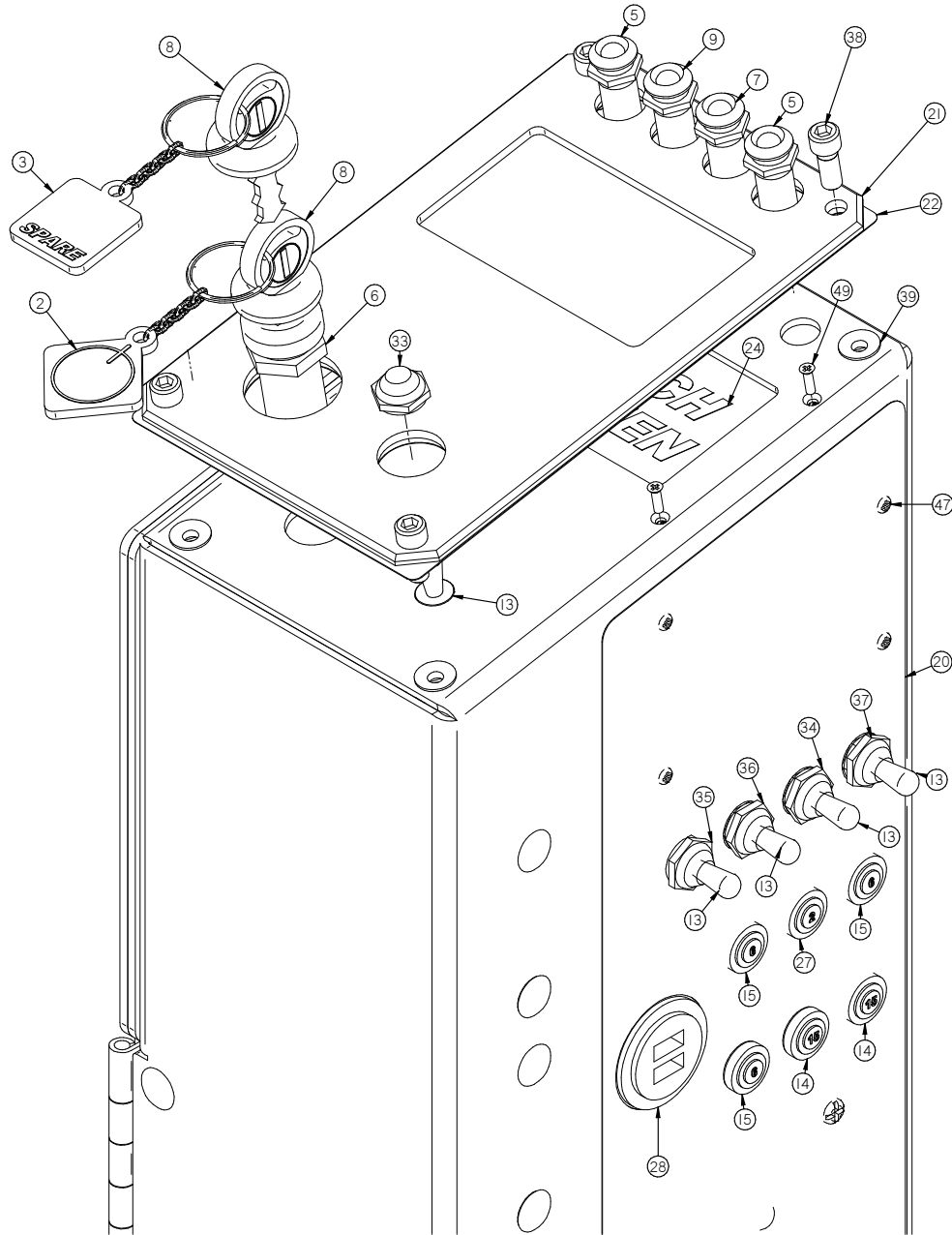


Item	Part No.	Part Description	Qty.	Item	Part No.	Part Description	Qty.
1	123-8860	HOSE BRACKET HOLDER	1	34	650-2022	CENTRAL COMMAND TOP	1
2	123-9134	AIR DRYER	1	35	650-9581	RESISTOR	3
3	150-4480	HANDLE GRIP (BLUE)	1	36	7-287	BUSS BAR UHMW	2
4	175-2352	POWER KEY FOB	1	37	7-837	FUSE RESETTABLE 2 AMP	1
5	175-2352	SPARE KEY FOB	1	38	700-2590	DUAL USB PORTS	1
6	175-2700	NEG INSULATOR POST (BLACK)	2	39	8-180	HINGE, 6-7/8" S/S	1
7	190-4852	BRUSH PRESSURE GAUGE, 40 AMP	1	40	E-5HBB	5 HOLE BUSS BAR	2
8	190-9609	FUSE, RESETTABLE, 40 AMP	2	41	H-00282	FW 1/4" NYLON	1
9	200-4855	36V BATTERY AND HOUR METER	1	42	H-0172518	CB #10-32 X 1/2" SS	2
10	260-2350A	SWITCH, ROCKER, DPDT, ON/ON AMBER	1	43	H-0172520	CB #10-32 X 3/4" SS	2
11	260-2351A	SWITCH, ROCKER, DPDT, ON/ON GREEN	1	44	H-11196	PROTECTIVE BOOT, TOGGLE SWITCH, (RED)	1
12	260-2352A	SWITCH, ROCKER, DPDT, ON/ON BLUE	1	45	H-11197	PROTECTIVE BOOT, TOGGLE SWITCH, (YELLOW)	1
13	290-2330	RED LIGHT	2	46	H-11200	PROTECTIVE BOOT, TOGGLE SWITCH, (BLACK)	1
14	290-234	KEY SWITCH (WITH KEY)	1	47	H-11202	PROTECTIVE BOOT, TOGGLE SWITCH, (ORANGE)	1
15	290-2340	GREEN LIGHT	1	48	H-1123202	SHCS 1/4"-20 X 5/8 BLACK OXIDE	4
16	290-234A	KEY SET (REPLACE)	2	49	H-250HCN	HCN 1/4"-20	8
17	290-2350	YELLOW LIGHT	2	50	H-33372	SHAFT COLLAR, 3/8" ID	3
18	290-9581	RESISTOR	3	51	H-70856	NYLON #8-32 SS	4
19	349-2899	IDRIVE 24V 140 AMP CONTROLLER	1	52	H-70858	NYLON #10-32 SS	7
20	370-2331	RELAY, 36V, SMALL W/FLAT MTG PLATE	4	53	H-70860	NYLON 1/4"-20 SS	6
21	370-2831	SWITCH, TOGGLE, ON/OFF/ON (DPDT)	1	54	H-70922	KN #8-32	8
22	370-8210	SWITCH, TOGGLE, ON/ON (DPDT)	2	55	H-70925	KN 1/4"-20 S/S	11
23	370-8920	TOGGLE, ON-OFF SPST	1	56	H-71013	FW 1/4 ID X 5/8 OD SS	6
24	390-9615	FUSE, RESETTABLE, 15 AMP, 50V DC MAX	6	57	H-72398	PPH #8-32 X 1/2" S/S	6
25	4-284	FUSE, RESETTABLE, 6 AMP, 50V DC MAX	1	58	H-72418	PPH #8-32 X 1" S/S	4
26	4-960	FUSE, RESETTABLE, 5 AMP, 50V DC MAX	2	59	H-72419	PPH #8-32 X 1-1/4" S/S	3
27	5-234	SWITCH, ROCKER, DPDT, ON/ON	1	60	H-72486	PPH #4-40 X 1/2" S/S	12
28	5-293	15 AMP RELAY	3	61	H-72515	PPH #10-32 X 1/2" S/S	3
29	5-296	DIODE BRIDGE	2	62	H-72914	PPH SMS #8 X 1/2"	10
30	500-2003	VALVE LEVER	1	63	H-73753	BHSCS 1/4 - 20 X 5/8" SS	3
31	650-2004	CENTRAL COMMAND DUST CURTAIN	1	64	H-73754	BHSCS 1/4 - 20 X 3/4" SS	4
32	650-2005	ACCESS COVER GASKET	1	65	H-74417	CB 1/4" - 20 X .5" SS	8
33	650-2007	RESISTOR PLATE	1	66	H-74418	CB 1/4" - 20 X 5/8" S/S	6
				67	M-92066A009	SCKT HEAD NUT #8-32.par	2

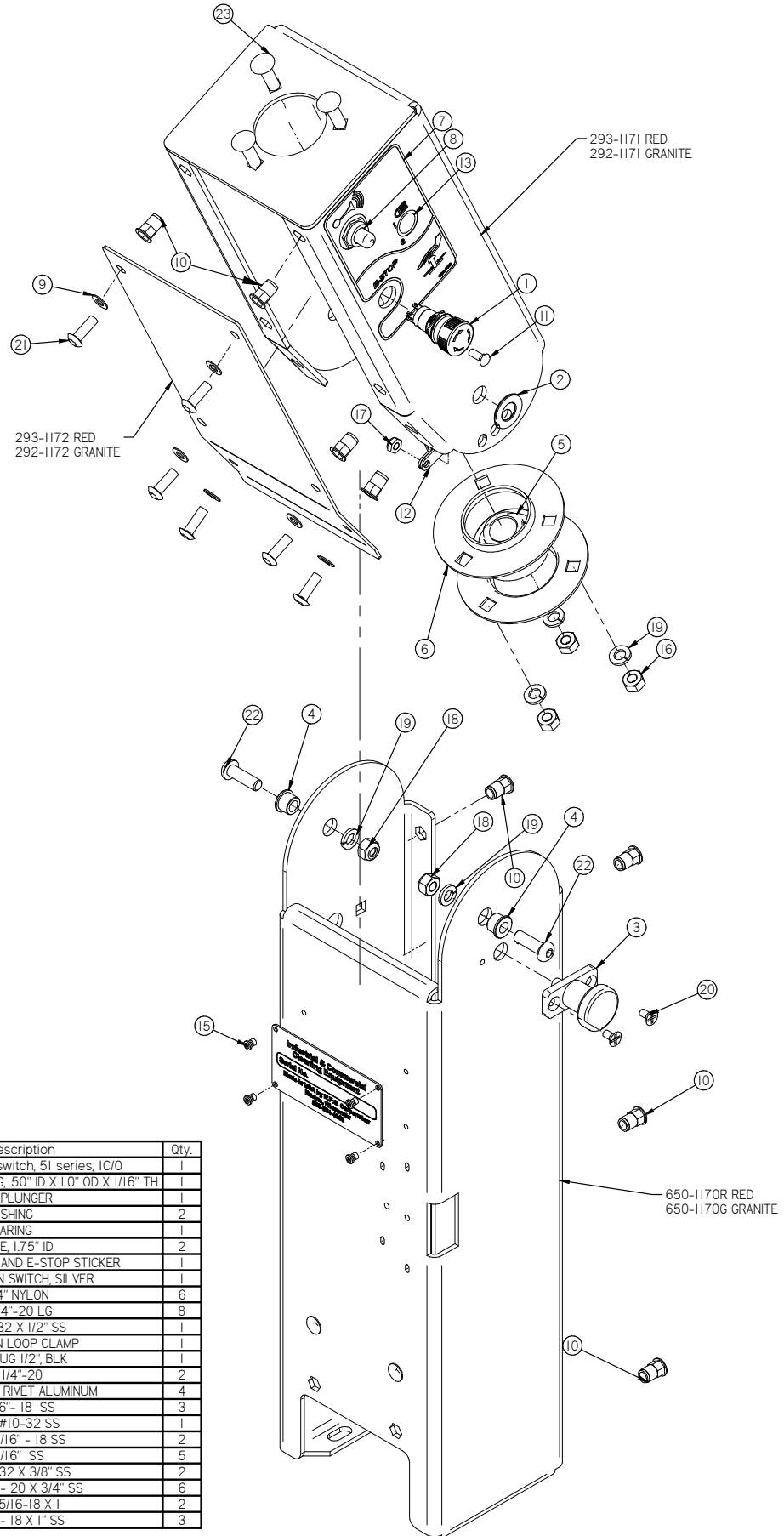


Item	Part No.	Part Description	Qty.	Item	Part No.	Part Description	Qty.
1	170-8500	HEATER	1	27	7-837	FUSE RESETTABLE, 2 AMP	1
2	175-2352	POWER KEY FOB	1	28	700-2590	DUAL USB PORTS	1
3	175-2352	SPARE KEY FOB	1	29	8-180	HINGE, 6-7/8" S/S	1
4	175-2700	NEG INSULATOR POST (BLACK)	1	30	E-5HBB	5 HOLE BUSS BAR	2
5	290-2330	RED LIGHT	2	31	H-0172518	CB #10-32 X 1/2" SS	2
6	290-234	KEY SWITCH (WITH KEY)	1	32	H-0172521	CB #10-32 X 1" SS	2
7	290-2340	GREEN LIGHT	1	33	H-11196	PROTECTIVE BOOT, TOGGLE SWITCH, (RED)	1
8	290-234A	KEY SET (REPLACE)	2	34	H-11198	PROTECTIVE BOOT, TOGGLE SWITCH, (GREEN)	1
9	290-2350	YELLOW LIGHT	1	35	H-11200	PROTECTIVE BOOT, TOGGLE SWITCH, (BLACK)	1
10	290-9581	RESISTOR	3	36	H-11202	PROTECTIVE BOOT, TOGGLE SWITCH, (ORANGE)	1
11	370-2331	RELAY, 36V, SMALL, W/FLAT MTG PLATE	2	37	H-11203	PROTECTIVE BOOT, TOGGLE SWITCH, (PURPLE)	1
12	370-2930	ALARM (91 dPa)	1	38	H-1123202	SHCS 1/4-20 X 5/8 BLACK OXIDE	4
13	370-8210	SWITCH, TOGGLE, ONION (DPDT)	5	39	H-250HCN	HCN 1/4"-20	10
14	390-9615	FUSE, RESETTABLE, 15 AMP, 50V DC MAX	2	40	H-70858	NYLOK #10-32 SS	4
15	4-284	FUSE, RESETTABLE, 6 AMP, 50V DC MAX	3	41	H-70860	NYLOK 1/4"-20 SS	5
16	505-1500	METER STICKER	1	42	H-70922	KN #8-32	6
17	650-2004	CENTRAL COMMAND DUST CURTAIN	1	43	H-70925	KN 1/4-20 S/S	4
18	650-2005	ACCESS COVER GASKET	1	44	H-71013	FW 1/4 ID X 5/8 OD SS	6
19	650-2007	RESISTOR PLATE	1	45	H-72398	PPH #8-32 X 1/2" S/S	2
20	650-2019	CONTROL PANEL STICKER, FRONT	1	46	H-72418	PPH #8-32 X 1" S/S	4
21	650-2023	TOUCH SCREEN CC TOP	1	47	H-72486	PPH #4-40 X 1/2" S/S	4
22	650-2024	TOUCH SCREEN PROTECTOR	1	48	H-72486	PPH #4-40 X 1/2" S/S	12
23	650-2890	KINETECK TOUCH SCREEN CONTROLLER	1	49	H-72636	FHP #4-40 X .375 SS	4
24	650-2891	4 INCH TOUCH SCREEN	1	50	H-72914	PPH SMS #8 X 1/2"	10
25	650-9581	RESISTOR	3	51	H-73754	BHSCS 1/4 - 20 X 3/4" SS	4
26	7-287	BUSS BAR UHMW	2	52	H-74417	CB 1/4"- 20 X .5" SS	4
				53	H-74418	CB 1/4"- 20 X 5/8" S/S	5

Touch Central Command

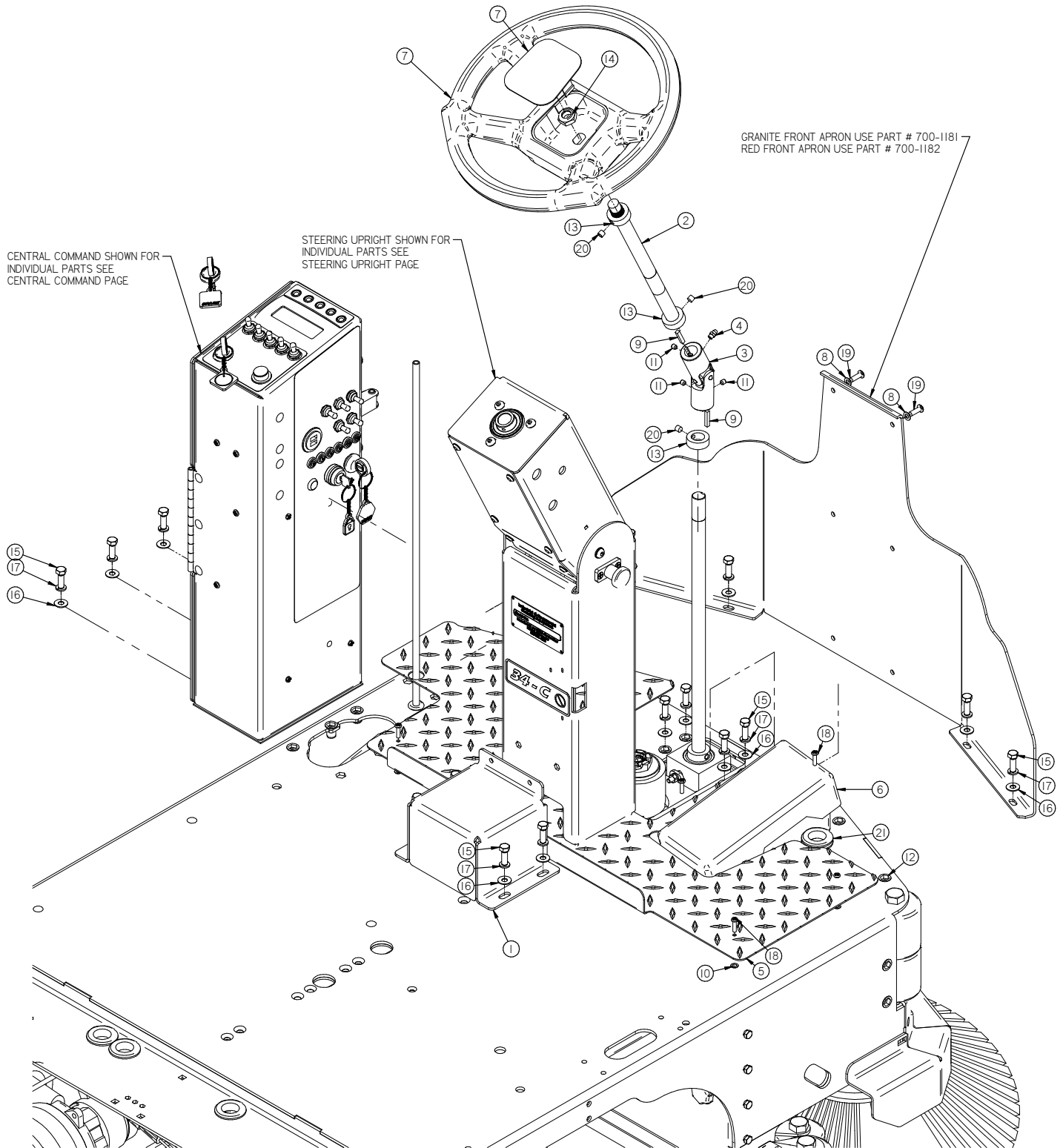


Item	Part No.	Part Description	Qty.	Item	Part No.	Part Description	Qty.
1	170-8500	HEATER	1	27	7-837	FUSE, RESETTABLE, 2 AMP	1
2	175-2352	POWER KEY FOB	1	28	700-2590	DUAL USB PORTS	1
3	175-2352	SPARE KEY FOB	1	29	8-180	HINGE, 6-7/8" S/S	1
4	175-2700	NEG INSULATOR POST (BLACK)	1	30	E-5HBB	5 HOLE BUSS BAR	2
5	290-2330	RED LIGHT	2	31	H-0172518	CB #10-32 X 1/2" SS	2
6	290-234	KEY SWITCH (WITH KEY)	1	32	H-0172521	CB #10-32 X 1" SS	2
7	290-2340	GREEN LIGHT	1	33	H-11196	PROTECTIVE BOOT, TOGGLE SWITCH, (RED)	1
8	290-234A	KEY SET (REPLACE)	2	34	H-11198	PROTECTIVE BOOT, TOGGLE SWITCH, (GREEN)	1
9	290-2350	YELLOW LIGHT	1	35	H-11200	PROTECTIVE BOOT, TOGGLE SWITCH, (BLACK)	1
10	290-9581	RESISTOR	3	36	H-11202	PROTECTIVE BOOT, TOGGLE SWITCH, (ORANGE)	1
11	370-2331	RELAY, 36V, SMALL W/FLAT MTG PLATE	2	37	H-11203	PROTECTIVE BOOT, TOGGLE SWITCH, (PURPLE)	1
12	370-2930	ALARM (91 dPa)	1	38	H-1123202	SHCS 1/4-20 X 5/8 BLACK OXIDE	4
13	370-8210	SWITCH, TOGGLE, ON/ON (DPDT)	5	39	H-250HCN	HCN 1/4"-20	10
14	390-9615	FUSE, RESETTABLE, 15 AMP, 50V DC MAX	2	40	H-70858	NYLOK #10-32 SS	4
15	4-284	FUSE, RESETTABLE, 6 AMP, 50V DC MAX	3	41	H-70860	NYLOK 1/4"- 20 SS	5
16	505-1500	METER STICKER	1	42	H-70922	KN #8-32	6
17	650-2004	CENTRAL COMMAND DUST CURTAIN	1	43	H-70925	KN 1/4-20 S/S	4
18	650-2005	ACCESS COVER GASKET	1	44	H-71013	FW 1/4 ID X 5/8 OD S/S	6
19	650-2007	RESISTOR PLATE	1	45	H-72398	PPH #8-32 X 1/2" S/S	2
20	650-2019	CONTROL PANEL STICKER, FRONT	1	46	H-72418	PPH #8-32 X 1" S/S	4
21	650-2023	TOUCH SCREEN CC TOP	1	47	H-72486	PPH #4-40 X 1/2" S/S	4
22	650-2024	TOUCH SCREEN PROTECTOR	1	48	H-72486	PPH #4-40 X 1/2" S/S	12
23	650-2890	KINETECH TOUCH SCREEN CONTROLLER	1	49	H-72636	FHP #4-40 X .375 SS	4
24	650-2891	4 INCH TOUCH SCREEN	1	50	H-72914	PPH SMS #8 X 1/2"	10
25	650-9581	RESISTOR	3	51	H-73754	BHSCS 1/4 - 20 X 3/4" SS	4
26	7-287	BUSS BAR UHMW	2	52	H-74417	CB 1/4"- 20 X 5" S/S	4
				53	H-74418	CB 1/4"- 20 X 5/8" S/S	5

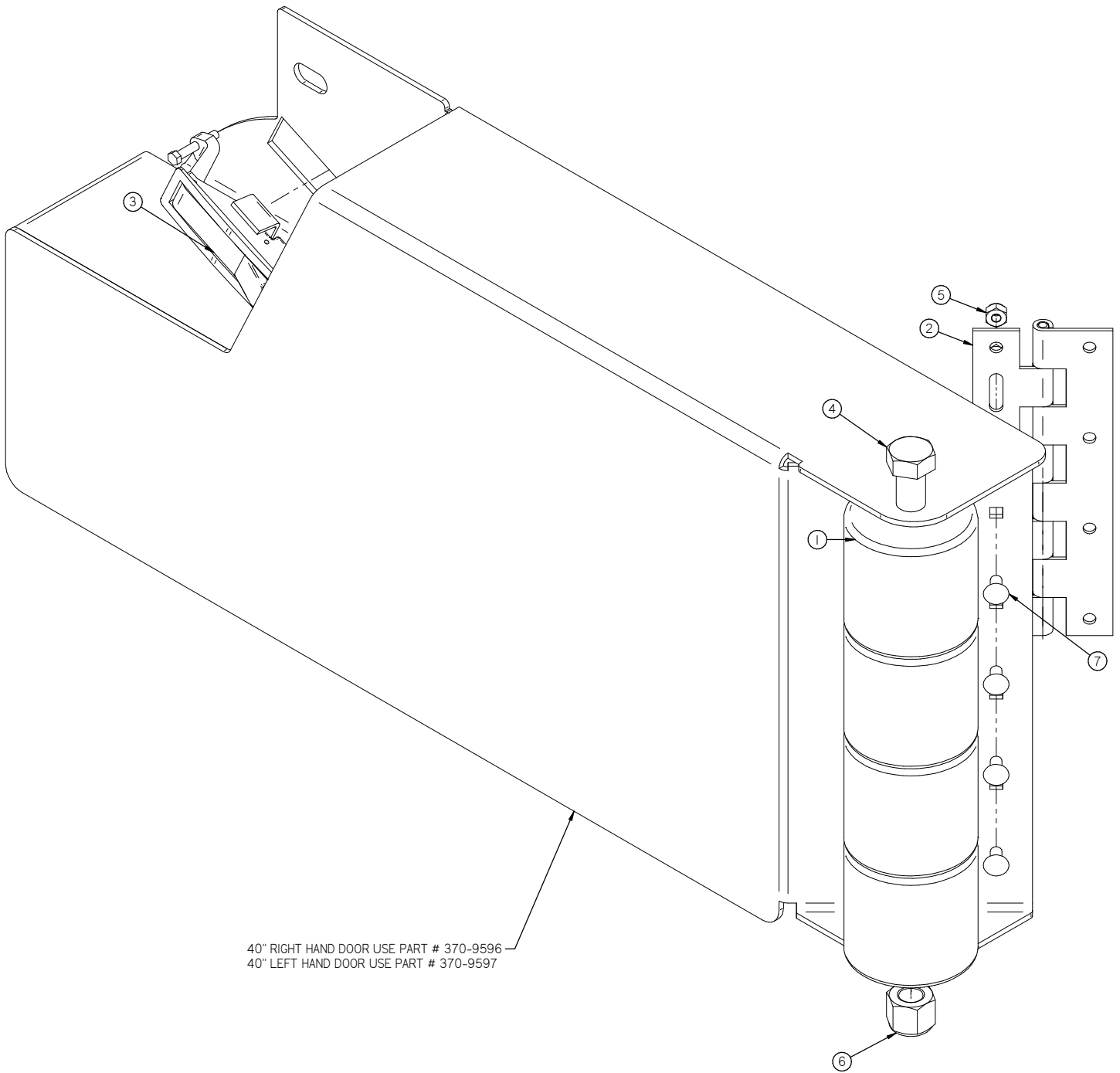


Item	Part No.	Part Description	Qty.
1	175-0300	Emergency stop switch, 5l series, IC/O	1
2	290-1247	BRONZE THRUST BEARING .50" ID X 1.0" OD X 1/16" TH	1
3	290-7050	INDEX PLUNGER	1
4	370-1245	BUSHING	2
5	4-352	BEARING	1
6	4-364A	FLANGE, 1.75" ID	2
7	600-1503	HORN HEAD LIGHT AND E-STOP STICKER	1
8	8-294B	PUSH BUTTON SWITCH, SILVER	1
9	H-00282	FW 1/4" NYLON	6
10	H-00918	HCN 1/4"-20 LG	8
11	H-0172518	CB #10-32 X 1/2" SS	1
12	H-02239	3/8" NYLON LOOP CLAMP	1
13	H-0708887	DOME PLUG 1/2", BLK	1
14	H-250HCN	HCN 1/4"-20	2
15	H-41007	AB4-3A BLIND RIVET ALUMINUM	4
16	H-70711	HN 5/16" - 18 SS	3
17	H-70858	NYLOK #10-32 SS	1
18	H-70861	NYLOK 5/16" - 18 SS	2
19	H-71065	LW 5/16" SS	5
20	H-72681	FHP #10-32 X 3/8" SS	2
21	H-73754	BHSCS 1/4 - 20 X 3/4" SS	6
22	H-73780	BHSCS 5/16-18 X 1	2
23	H-74430	CB 5/16" - 18 X 1" SS	3

Attaching Steering Column & Central Command



Item	Part No.	Part Description	Qty.	Item	Part No.	Part Description	Qty.
1	250-1173	DRIVE COVER	1	11	H-25379	SETSCREW, KCP, 1/4"-20 X 1/4"	3
2	290-7090	STEERING SHAFT, UPPER	1	12	H-312HCN	HCN 5/16"-18	11
3	290-7110	U-JOINT	1	13	H-33376	SHAFT COLLAR, 3/4" ID X 9/16 LG	3
4	290-7111	1/4-28 ZERK FITTING	1	14	H-37038	JNYL 5/8" - 11	1
5	700-1611	NON SKID FLOOR PLATE	1	15	H-70055	HCS 5/16" - 18 X 1" SS	15
6	8-290	FOOT PEDAL	1	16	H-71015	FW 5/16 ID X 3/4 OD SS	15
7	8-703	STEERING WHEEL	1	17	H-71065	LW 5/16" SS	15
8	H-00282	FW 1/4" NYLON	6	18	H-72534	PPH #10-32 X 3/4" S/S	8
9	H-01125	3/16" X 1" KEY	2	19	H-73754	BHSCS 1/4 - 20 X 3/4" SS	6
10	H-02309	HCN #10-32, LG CRIMP	5	20	H-81983	5/16" X 1/4" KURL SET SCREW	3
				21	H-9307K74	GROMMET, 1" ID X 1-3/4" OD BUNA-N	5

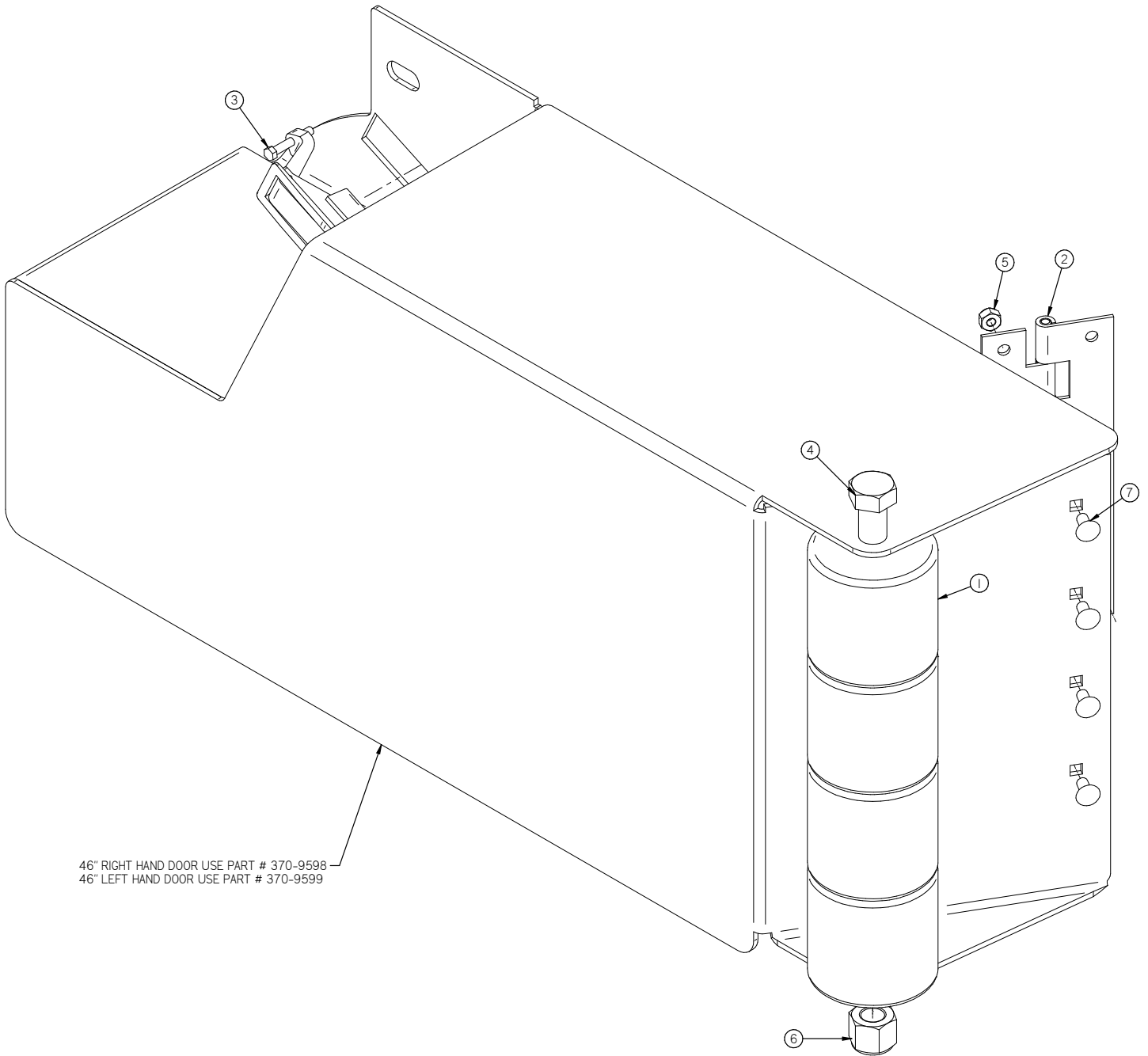


40" RIGHT HAND DOOR USE PART # 370-9596  
 40" LEFT HAND DOOR USE PART # 370-9597

### 40 INCH RIGH SIDED DOOR SHOWN

Item	Part No.	Part Description	Qty.
1	21-1127	ROLLER	4
2	5-122	8" SS HINGE	1
3	5-130	DOOR LATCH	1
4	H-13337	HB 5/8"- 11 X 13"	1
5	H-70860	NYLOK 1/4"- 20 SS	4
6	H-70866	NYL 5/8"- 11	1
7	H-74417	CB 1/4"- 20 X .5" SS	4

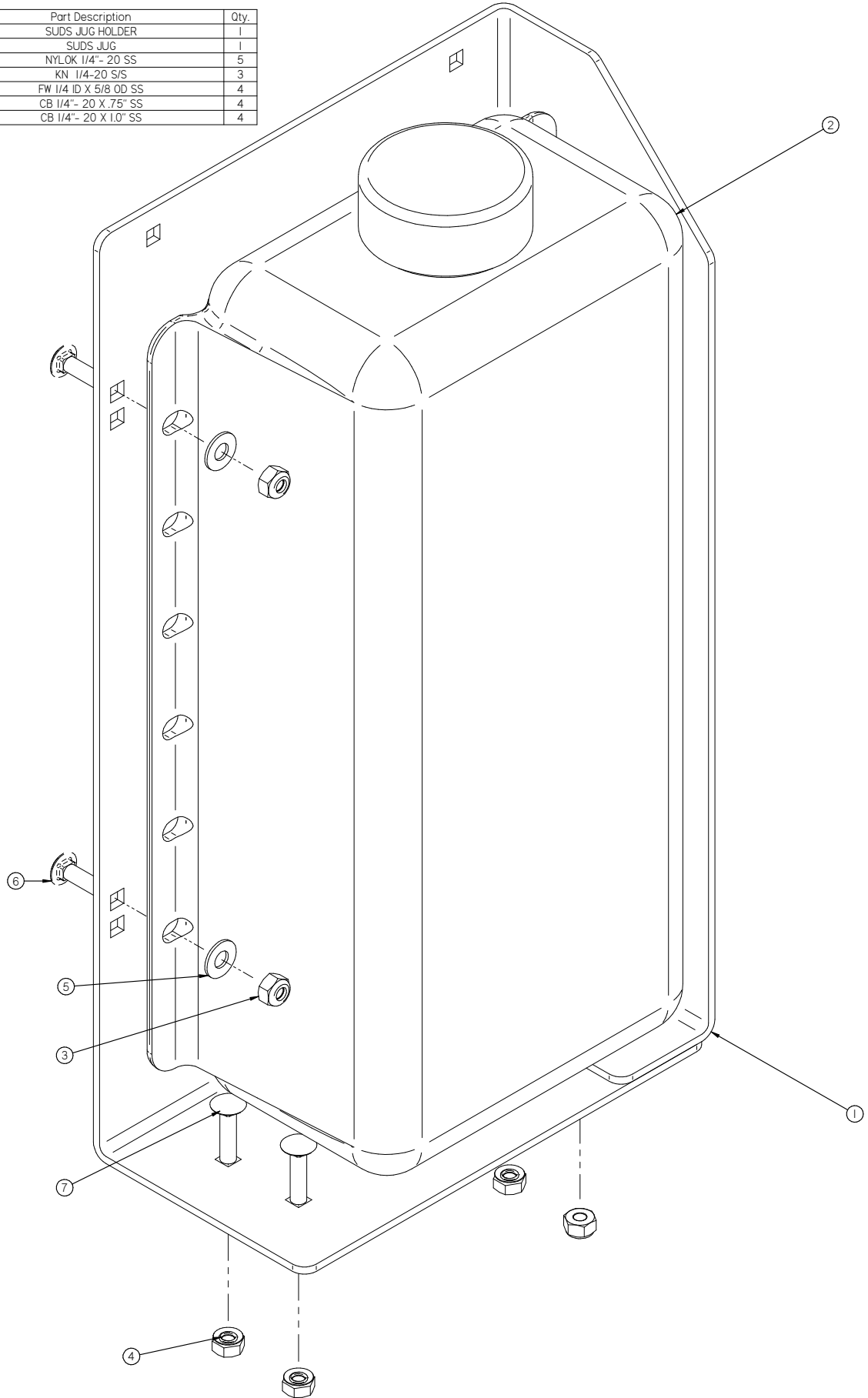
46" Side Doors



**46 INCH RIGH SIDED DOOR SHOWN**

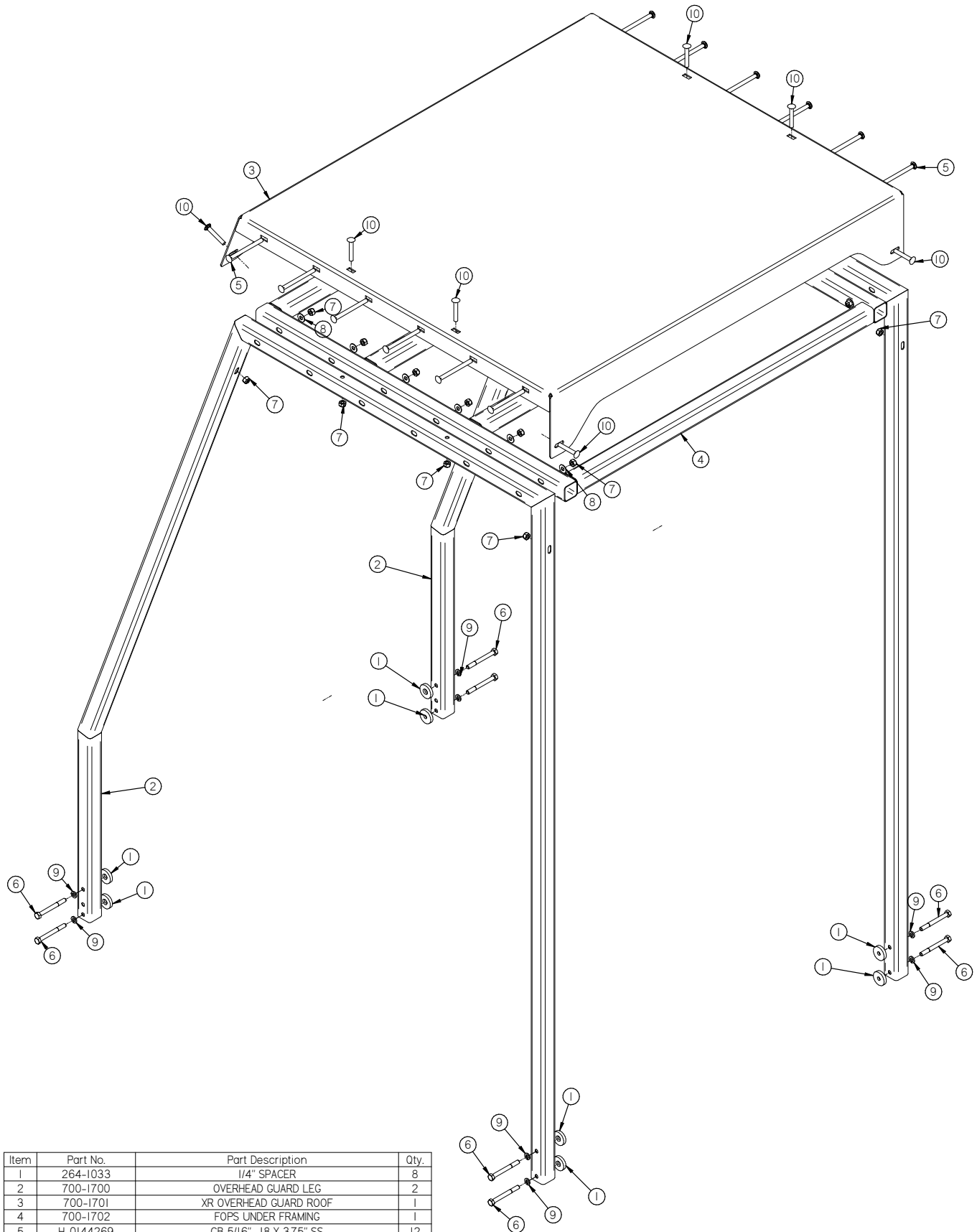
Item	Part No.	Part Description	Qty.
1	2I-1127	ROLLER	4
2	5-122	8" SS HINGE	1
3	5-130	DOOR LATCH	1
4	H-13337	HB 5/8"- 11 X 13"	1
5	H-70860	NYLOK 1/4"- 20 SS	4
6	H-70866	NYL 5/8"- 11	1
7	H-74417	CB 1/4"- 20 X 5" SS	4

Item	Part No.	Part Description	Qty.
1	700-2450	SUDS JUG HOLDER	1
2	700-2460	SUDS JUG	1
3	H-70860	NYLOK 1/4"-20 SS	5
4	H-70925	KN 1/4"-20 S/S	3
5	H-71013	FW 1/4 ID X 5/8 OD SS	4
6	H-74419	CB 1/4"-20 X .75" SS	4
7	H-74420	CB 1/4"-20 X 1.0" SS	4





Overhead Guard



Item	Part No.	Part Description	Qty.
1	264-1033	1/4" SPACER	8
2	700-1700	OVERHEAD GUARD LEG	2
3	700-1701	XR OVERHEAD GUARD ROOF	1
4	700-1702	FOPS UNDER FRAMING	1
5	H-0144269	CB 5/16"- 18 X 3.75" SS	12
6	H-70065	HCS 5/16"- 18 X 3" SS	8
7	H-70861	NYLOK 5/16" - 18 SS	22
8	H-71015	FW 5/16 ID X 3/4 OD SS	12
9	H-71065	LW 5/16" SS	8
10	H-74433	CB 5/16"- 18 X 2" SS	8





## COMMON WEAR PARTS

### ROUND DISK BRUSHES:

#### NOTICE

The ## in Disk Column Denotes Desk Pad Size: 20" or 23"

BRUSHES	DISK	LEVEL
Super Grit	705-##-382SS	Very High
Tough Grit	705-##-382S	High
Midi Grit	705-##-382C	Medium
Light Grit	705-##-382PS	Moderate
Poly	705-##-382P	Light
Nylon	705-##-382N	Light
Tampico	705-##-382T	Light
Pad Driver	705-##-382D	

### ROUND DISK PADS:

#### NOTICE

The ## in Disk Column Denotes Desk Pad Size: 20" or 23"

DISK PADS	DISK	LEVEL	COLOR
Super Black	705-##-422BB	Very High	Black
Black	705-##-422B	High	Black
Brown	705-##-422BR	High	Brown
Green	705-##-422G	Medium	Green
Blue	705-##-422BL	Moderate	Blue
Red	705-##-422R	Moderate	Red
White	705-##-422W	Light	White

### CYLINDRICAL BRUSHES:

BRUSHES	MODEL 40" CYLINDRICAL	MODEL 46" CYLINDRICAL	LEVEL
Tough Grit	705-387-697S	705-447-697S	High
Midi Grit	705-387-697C	705-447-697C	Medium
Nylon	705-387-697N	705-447-697N	Light

Common Wear Parts

**COMMON WEAR PARTS**

SQUEEGEE BLADE KITS & COMPLETE SQUEEGEE ASSEMBLIES:

SQUEEGEE SIZE	40" DISK DECKS	45" DISK DECKS	40" CYL. DECKS	46" CYL. DECKS
54" Squeegee	Standard	Optional	Standard	Optional
61" Squeegee	Optional	Standard	Optional	Standard

SQUEEGEE SIZE	LINATEX BLADE KIT	URETHANE BLADE KIT	COMPLETE SQUEEGEE ASSEMBLIES
54" Squeegee	54-7163L	54-7163U	254-2181
61" Squeegee	61-7163L	61-7163U	261-2181

SQUEEGEE MATERIAL:	USED FOR:
LINATEX	Provides best wear and tear resistance. Not designed for use with harsh chemicals.
URETHANE	Provides best resistance when dealing with harsh chemicals, oils, fuels, etc.

**NOTICE**

Squeegee blade kits include (1) Rear Blade & (1) Front Blade.

**NOTICE**

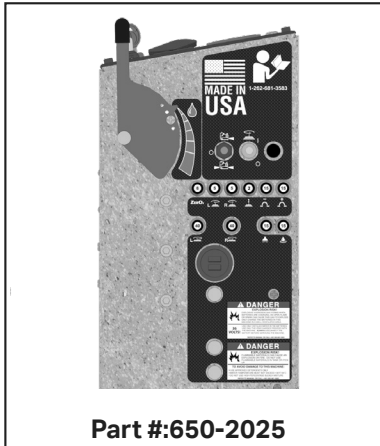
Squeegee Assemblies (complete) listed above all come with Linatex blades.

**NOTICE**

Size is indicated by decal on top of the painted steel squeegee body on all squeegee's.

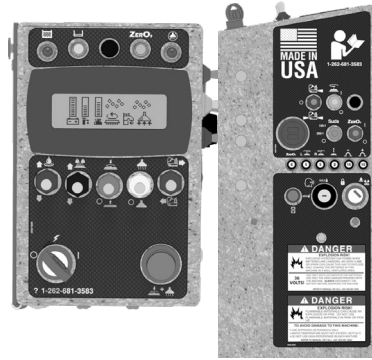


**Military Grade**



Part #:650-2025

**Legacy**



Part #:650-2020

**Touch Screen**



Part #:650-6026

Branding / Options / Squeegee Size Decals



Part #:700-1501



Part #:175-1518



Part #:123-1837



Part #:370-7202



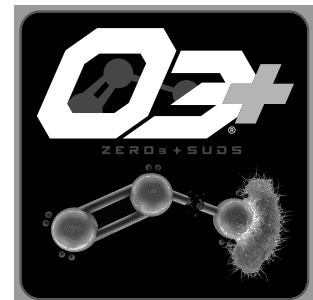
Part #:123-1838



Part #:54-1601



Part #:61-1601



Part #:123-1843



***FACTORYCAT***<sup>®</sup>

1711 South Street  
Racine, WI 53404  
[www.factorycat.com](http://www.factorycat.com)  
262-681-4060