

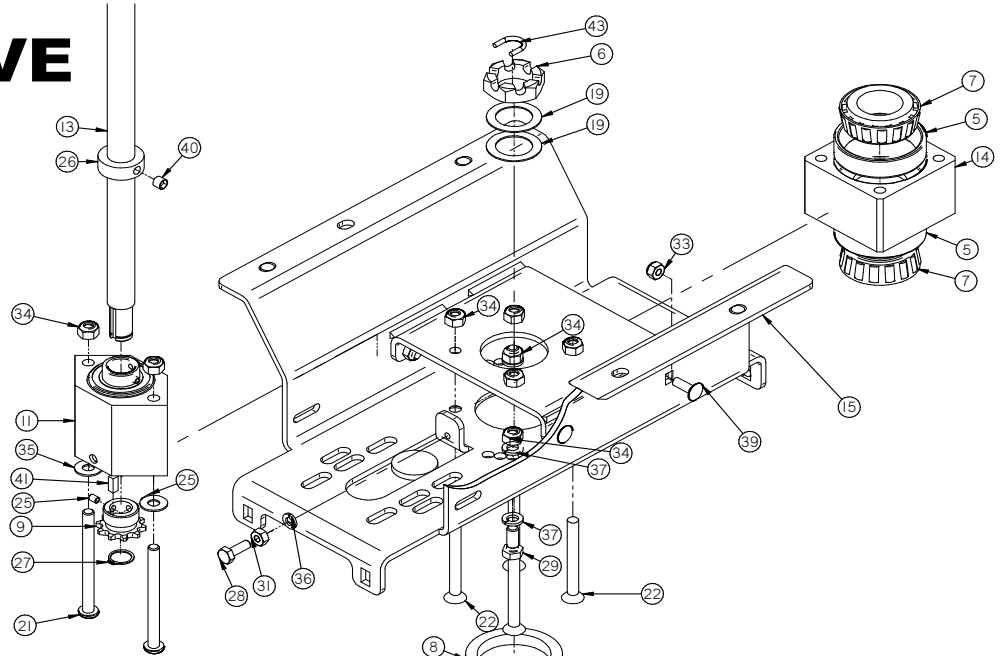
Read the Operators Manual
before using the machine.



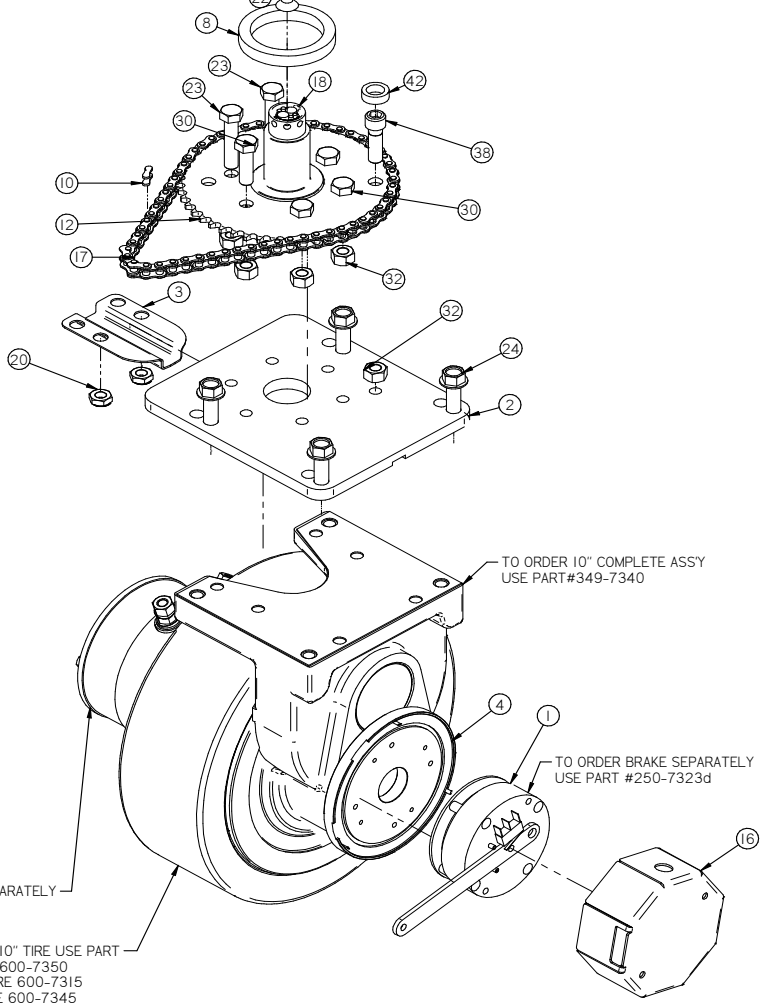
Read the Safety Messages before
servicing machine.

10 inch Front Wheel.....	4
12 inch Front Wheel.....	5
Side Brooms	6
Front Wheel and Side Brooms	7
Main Broom Driver and Idler Arm	8
Main Broom Driver and Idler Arm	9
Hopper	10
Rear Axle and Doors.....	11
Military Steering tower.....	12
Touch Screen Steering tower	13
Steering tower and foot pedal.....	14
Filter Box and Seat	15
Military Central Command.....	16
Touch Screen Central Command.....	17
Military Main broom/Side broom lift box.....	18
Touch Screen Side broom lift box and Onboard Charger mount.....	19
Filter Box and Panels	20
Main Broom Motor.....	21
Jack shaft	22
Main Broom motor, Jack Shaft and On board Charger.....	23
Batteries.....	24
Rear Hood Vac Box	25
Rear hood and Batteries	26
Over head Guard and Options	27
Common Wear Parts.....	28
Decal Kit.....	29
Wiring Schematic Military	30
Wiring Schematic Touch Screen.....	31

10" FRONT WHEEL DRIVE



Item	Part No.	Part Description	Qty.
1	250-7323	PARKING BRAKE	1
2	250-7326	PIVOT PLATE	1
3	250-7328	WIRE GUIDE	1
4	349-7340	10" METAROTA DRIVE 24V	1
5	37-7318	TAPERED BEARING CUP	2
6	37-7321	SLOTTED NUT, 2.0 - 12	1
7	370-7317	TAPERED ROLLER BEARING	2
8	370-8374	BEARING SEAL	1
9	5-826	10 TOOTH SPROCKET 5/8 SHAFT	1
10	5-831	MASTER LINK	1
11	500-7231A	BEARING WHOUSING	1
12	500-7314	48 TOOTH STEERING SPROCKET	1
13	600-7120	STEERING SHAFT, LOWER	1
14	600-7230	BEARING BLOCK	1
15	600-7316	FRONT DRIVE DROP PLATE	1
16	600-7324	BRAKE COVER	1
17	600-7327	60 LINK STEERING CHAIN	1
18	600-7332	STEERING SPINDLE	1
19	8-713	1 1/2" THRUST WASHER	2
20	H-0129158	JNYL 3/8- 16 SS	2
21	H-0171294	BHSCS 5/16-18 X 3.5	2
22	H-0171361	FHSCS 5/16- 18 X 2-3/4" S/S	4
23	H-0172948	HCS 3/8"- 24 X 1-3/4" SS FULL THREADED	2
24	H-11115680	FB CASHD M10-1.5 X 30mm	4
25	H-25306	SSS CP #10-32 X 1/4"	2
26	H-33376	SHAFT COLLAR, 3/4" ID X 9/16 LG	1
27	H-68013	SNAPRING	1
28	H-70003	HCS 1/4"-20 X 3/4" SS	1
29	H-70053	HCS 5/16"- 18 X 3/4" SS	2
30	H-70143	HCS 3/8"- 24 X 1-1/4" SS FULL THREADED	4
31	H-70710	HN 1/4"- 20 SS	1
32	H-70732	HN 3/8"- 24 SS	5
33	H-70860	NYLOK 1/4"- 20 SS	2
34	H-70861	NYLOK 5/16"- 18 SS	8
35	H-71015	FW 5/16 ID X 3/4 OD SS	2
36	H-71063	LW 1/4" SS	1
37	H-71065	LW 5/16" SS	4
38	H-73560	SHCS 3/8"- 24 X 1 1/4" SS	1
39	H-74419	CB 1/4"- 20 X .75" SS	3
40	H-81983	5/16" X 1/4" KURL SET SCREW	1
41	H-K1432	3/16" X 1/2" KEY	1
42	M-5233K66	CLEAR TUBING	1
43	M-9381T24	S-HOOK	1



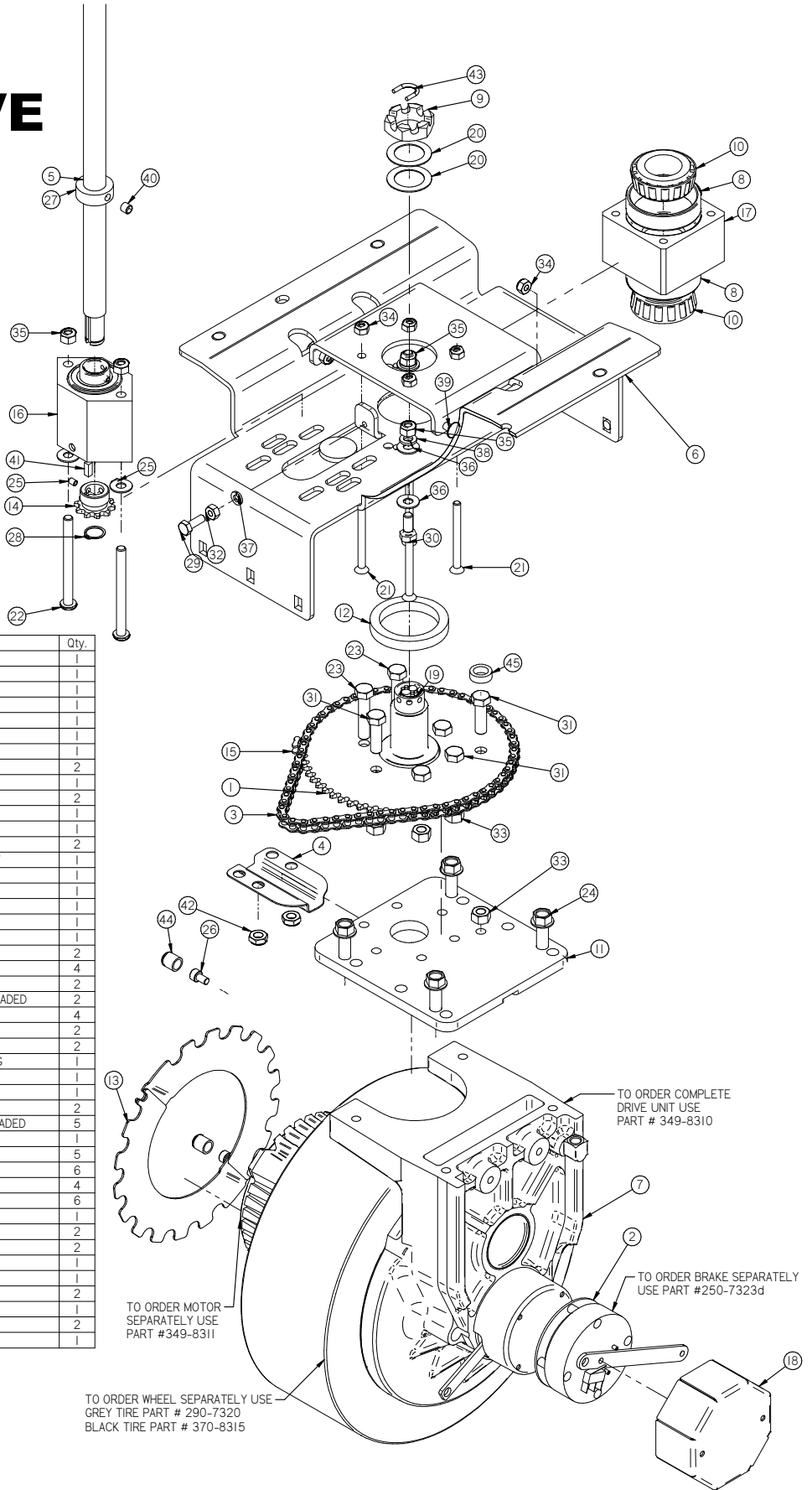
TO ORDER MOTOR SEPARATELY
USE PART #349-7311

TO ORDER 10" TIRE USE PART
GREY TIRE 600-7350
PURPLE TIRE 600-7315
BLACK TIRE 600-7345

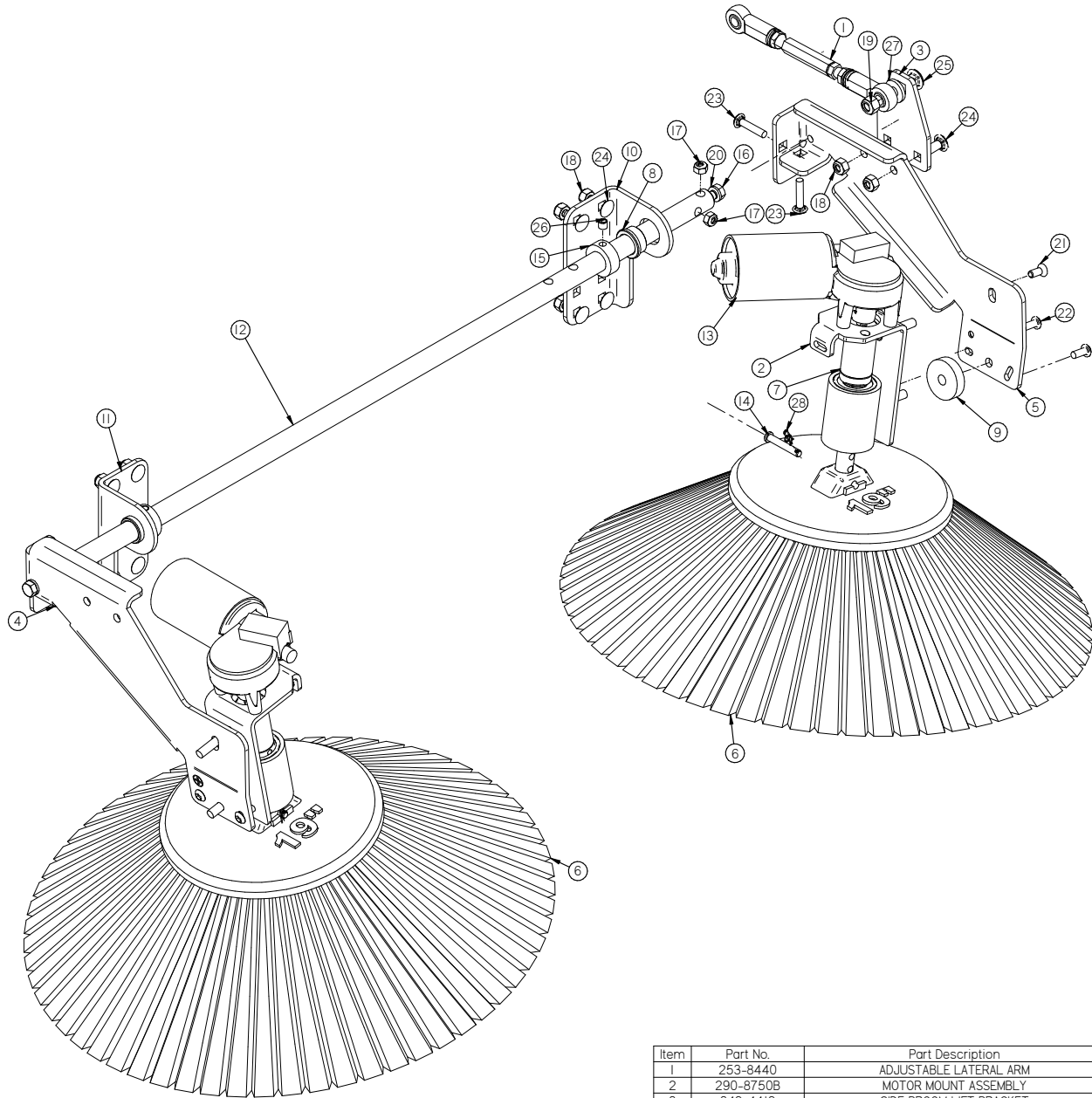
TO ORDER 10" COMPLETE ASSY
USE PART #349-7340

TO ORDER BRAKE SEPARATELY
USE PART #250-7323d

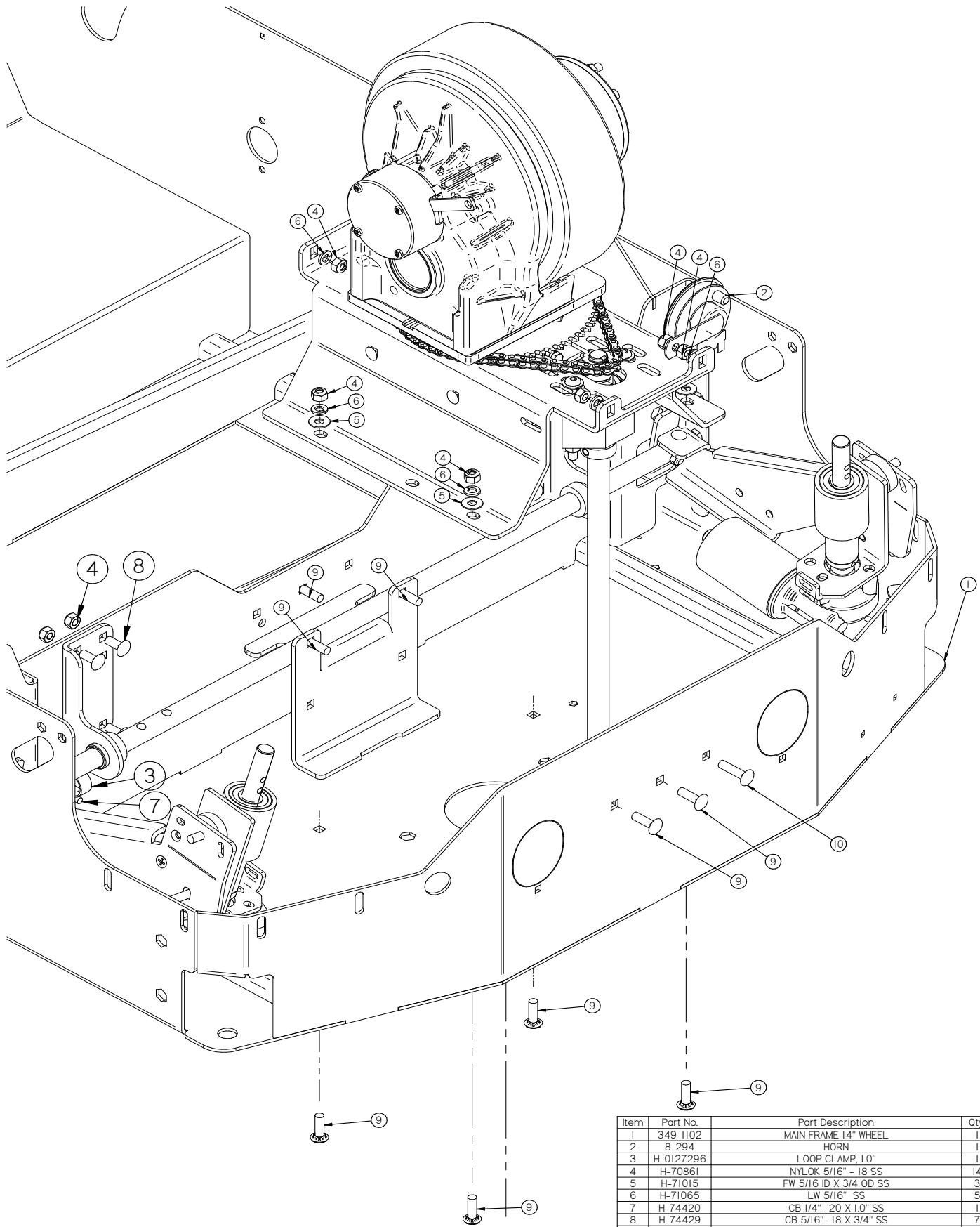
12" FRONT WHEEL DRIVE



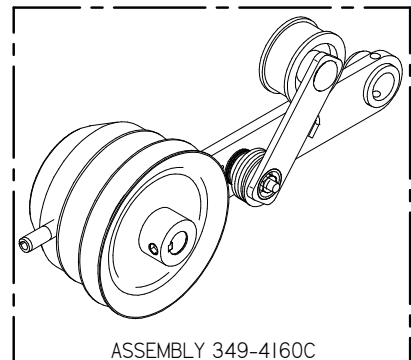
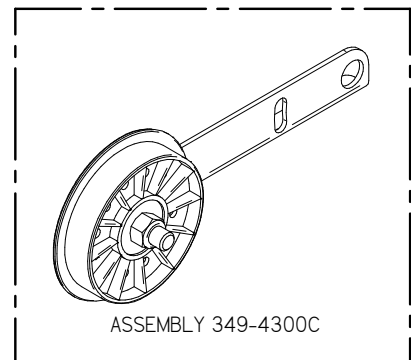
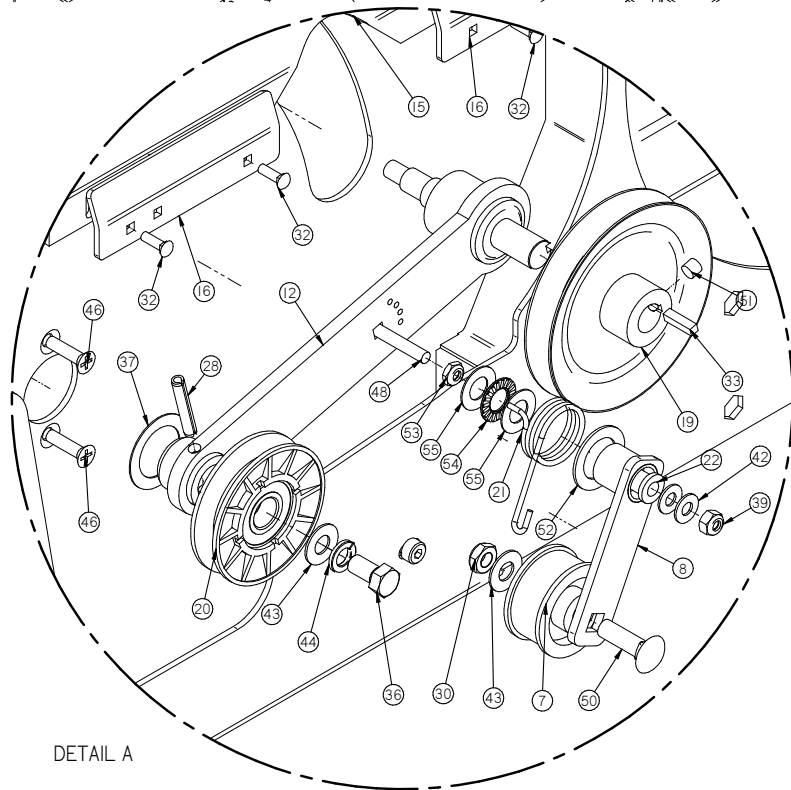
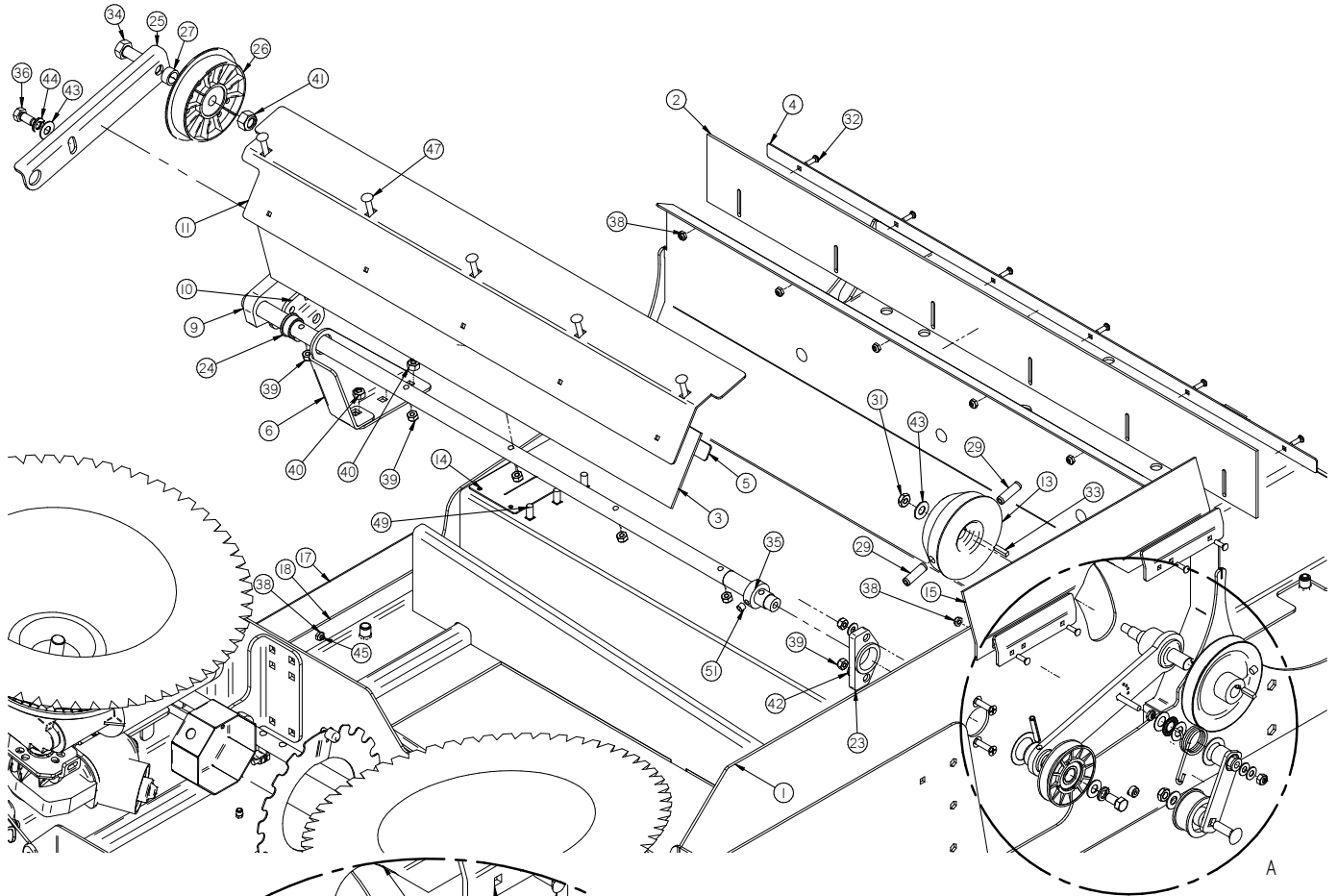
Item	Part No.	Part Description	Qty.
1	250-7314	60 TOOTH STEERING SPROCKET	1
2	250-7323	PARKING BRAKE	1
3	250-7327	48 TOOTH STEERING CHAIN	1
4	250-7328	WIRE GUIDE	1
5	349-7123	STEERING SHAFT, LOWER (12")	1
6	349-7327	12" FRONT DRIVE DROP PLATE	1
7	349-8310	12" FRONT WHEEL DRIVE (24V)	1
8	37-7318	TAPERED BEARING CUP	2
9	37-7321	SLOTTED NUT, 2.0 - 12	1
10	370-7317	TAPERED ROLLER BEARING	2
11	370-7326	PIVOT PLATE	1
12	370-8374	BEARING SEAL	1
13	370-9557	DRIVE GUARD	2
14	5-826	10 TOOTH SPROCKET 5/8 SHAFT	1
15	5-831	MASTER LINK	1
16	500-7231A	BEARING W/HOUSING	1
17	600-7230	BEARING BLOCK	1
18	600-7324	BRAKE COVER	1
19	600-7332	STEERING SPINDLE	1
20	8-713	1 1/2" THRUST WASHER	2
21	H-0170132	FHP 1/4"- 20 X 2-3/4"	4
22	H-0171294	BHSCS 5/16-18 X 3.5	2
23	H-0172948	HCS 3/8"- 24 X 1-3/4" SS FULL THREADED	2
24	H-11115680	FB CASHD M10-1.5 X 30mm	4
25	H-25306	SSS CP #10-32 X 1/4"	2
26	H-2550010	SHCS M-6 X 10	2
27	H-33376	SHAFT COLLAR, 3/4" ID X 9/16 LG	1
28	H-68013	SNAPRING	1
29	H-70003	HCS 1/4"-20 X 3/4" SS	1
30	H-70053	HCS 5/16"- 18 X 3/4" SS	2
31	H-70143	HCS 3/8"- 24 X 1-1/4" SS FULL THREADED	5
32	H-70710	HN 1/4"- 20 SS	1
33	H-70732	HN 3/8"- 24 SS	5
34	H-70860	NYLON 1/4"- 20 SS	6
35	H-70861	NYLON 5/16"- 18 SS	4
36	H-71015	FW 5/16 ID X 3/4 OD SS	6
37	H-71063	LW 1/4" SS	1
38	H-71065	LW 5/16" SS	2
39	H-74419	CB 1/4"- 20 X .75" SS	2
40	H-81983	5/16" X 1/4" KURL SET SCREW	1
41	H-K1432	3/16" X 1/2" KEY	1
42	H-NJ06C	JNYL 3/8- 16 SS	2
43	M-9381T24	S-HOOK	1
44	M-9753K16	VINYL CAP, 1/2"	2
45	T-050R0025	CLEAR TUBING	1



Item	Part No.	Part Description	Qty.
1	253-8440	ADJUSTABLE LATERAL ARM	1
2	290-8750B	MOTOR MOUNT ASSEMBLY	2
3	349-4419	SIDE BROOM LIFT BRACKET	1
4	349-4420	IRHI SIDE BROOM LIFT ARM	1
5	349-4421	ILHI SIDE BROOM LIFT ARM	1
6	370-402	19" SIDE BROOM POLYPROPYLENE	2
7	4-223	BROOM SAFETY DRIVE CPLG	2
8	4-4230	3/4" X 1" X 1/2" FLG BEARING	2
9	4-446	GROMMET-3/8 ID X 1-1/2 OD X .375	1
10	650-4630	SIDE BROOM AXLE BRACKET ILHI	1
11	650-4631	SIDE BROOM AXLE BRACKET IRHI	1
12	700-4621	SIDE BROOM AXLE SHAFT	1
13	8-220	SIDE BROOM MOTOR	2
14	H-0156730	1/4" X 1 1/2" CLEVIS PIN	2
15	H-33376	SHAFT COLLAR, 3/4" ID X 9/16 LG	2
16	H-70053	HCS 5/16" - 18 X 3/4" SS	2
17	H-70860	NYLOK 1/4" - 20 SS	2
18	H-70861	NYLOK 5/16" - 18 SS	7
19	H-70862	NYLOK 3/8" - 16 SS	1
20	H-71065	LW 5/16" SS	2
21	H-72706	FHP 1/4" - 20 X 5/8" SS	2
22	H-73753	BHSCS 1/4" - 20 X 5/8" SS	4
23	H-74421	CB 1/4" - 20 X 1-1/4" SS	2
24	H-74429	CB 5/16" - 18 X 3/4" SS	9
25	H-74438	CB 3/8" - 16 X 1-1/2" SS	1
26	H-81983	5/16" X 1/4" KURL SET SCREW	2
27	H-98025	FW 3/8" GRADE 8	1
28	H-RUE8	RUE RING COTTER	2

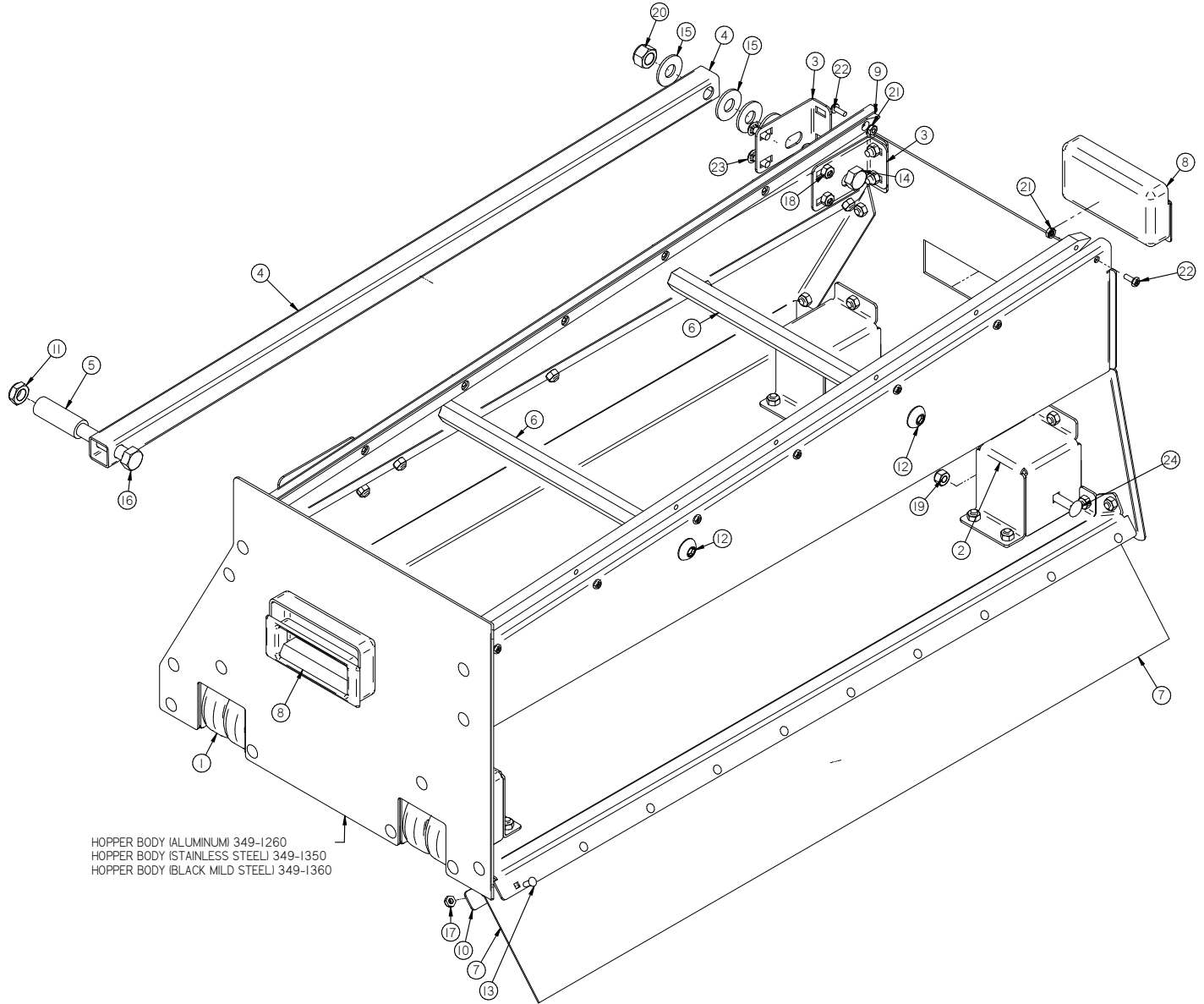


Item	Part No.	Part Description	Qty.
1	349-1102	MAIN FRAME 14" WHEEL	1
2	8-294	HORN	1
3	H-0127296	LOOP CLAMP, 1.0"	1
4	H-70861	NYLOK 5/16" - 18 SS	14
5	H-71015	FW 5/16 ID X 3/4 OD SS	3
6	H-71065	LW 5/16" SS	5
7	H-74420	CB 1/4" - 20 X 1.0" SS	1
8	H-74429	CB 5/16" - 18 X 3/4" SS	7
9	H-74430	CB 5/16" - 18 X 1" SS	9
10	H-74431	CB 5/16" - 18 X 1-1/4" SS	1



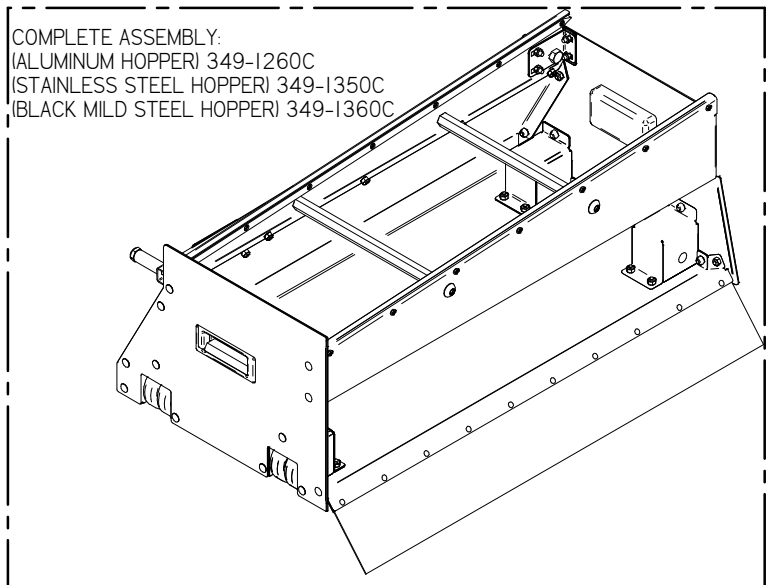
Main Broom Driver and Idler Arm

Item	Part No.	Part Description	Qty.
1	349-1102	MAIN FRAME 14" WHEEL	1
2	349-1165	CURTAIN, REAR WALL	1
3	349-1166	ATTENUATOR CURTAIN	1
4	349-1175	CURTAIN BAND, REAR WALL	1
5	349-1176	ATTENUATOR CURTAIN BAND	1
6	349-1240	MAINBROOM SUPPORT BRACKET	1
7	349-3170	IDLER PULLEY	1
8	349-3600	REVERSE IDLER ARM	1
9	349-4100	MAIN BROOM SUSPENSION ARM	1
10	349-4105	LIFTING BRACKET	2
11	349-4141	ATTENUATOR (11")	1
12	349-4160A	MAIN BROOM LAT ARM W/BEARING	1
13	349-4200	BROOM DRIVER	1
14	349-5712	ACTUATOR BOTTOM FLAP	1
15	349-5750	RIGHT SIDE CURTAIN	1
16	349-5760	CURTAIN BAND	2
17	349-9510	HOPPER SIDE CURTAIN	1
18	349-9515	LEFT CURTAIN BAND	1
19	4-316	BROOM DRIVE PULLEY	1
20	4-318	IDLER PULLEY	1
21	4-319	TENSION SPRING	1
22	4-366	BUSHING, IDLER ARM	1
23	4-421	SUPPORT BLOCK	1
24	4-4230	3/4" X 1" X 1/2" FLG BEARING	1
25	4-430	IDLER ARM	1
26	4-432	IDLER DRUM	1
27	4-432A	IDLER DRUM SPACER	1
28	H-00103	1/4" X 1 1/2" SPRING PIN	1
29	H-00105	3/8" X 1 1/4" SPRING PIN	2
30	H-0129158	JNYL 3/8- 16 SS	1
31	H-0171004	JNYL 3/8- 24 SS	1
32	H-0172519	CB #10-32 X 5/8" SS	10
33	H-0953152	3/16" X 3/4" KEY	2
34	H-13211	HCS 1/2"-13 X 2"	1
35	H-33376	SHAFT COLLAR, 3/4" ID X 9/16 LG	1
36	H-70103	HCS 3/8"-16 X 3/4" SS	2
37	H-7042834	SHIM 1.125 ID X 1.625 OD X .030 SS	1
38	H-70858	NYLOK #10-32 SS	7
39	H-70860	NYLOK 1/4"- 20 SS	9
40	H-70861	NYLOK 5/16" - 18 SS	3
41	H-70864	NYLOK 1/2"-13 SS	1
42	H-71013	FW 1/4 ID X 5/8 OD SS	4
43	H-71017	FW 3/8 ID X 7/8 OD SS	4
44	H-71067	LW 3/8" SS	2
45	H-72683	FHP #10-32 X 5/8" SS	1
46	H-73883	FHP 1/4"- 20 X 1" SS	2
47	H-74421	CB 1/4"- 20 X 1-1/4" SS	5
48	H-74422	CB 1/4"- 20 X 1-1/2" SS	1
49	H-74429	CB 5/16"- 18 X 3/4" SS	4
50	H-74437	CB 3/8"- 16 X 1-1/4" SS	1
51	H-81983	5/16"-18 X 1/4" KURL SET SCREW	2
52	H-98126	FW 7/8 ID X 1-3/8 OD SS	1
53	H-NJ04C	JNYL 1/4" - 20 SS	1
54	M-5909K31	NEEDLE ROLLER THRUST BEARING	1
55	M-5909K44	NEEDLE ROLLER THRUST BEARING WASHER	2



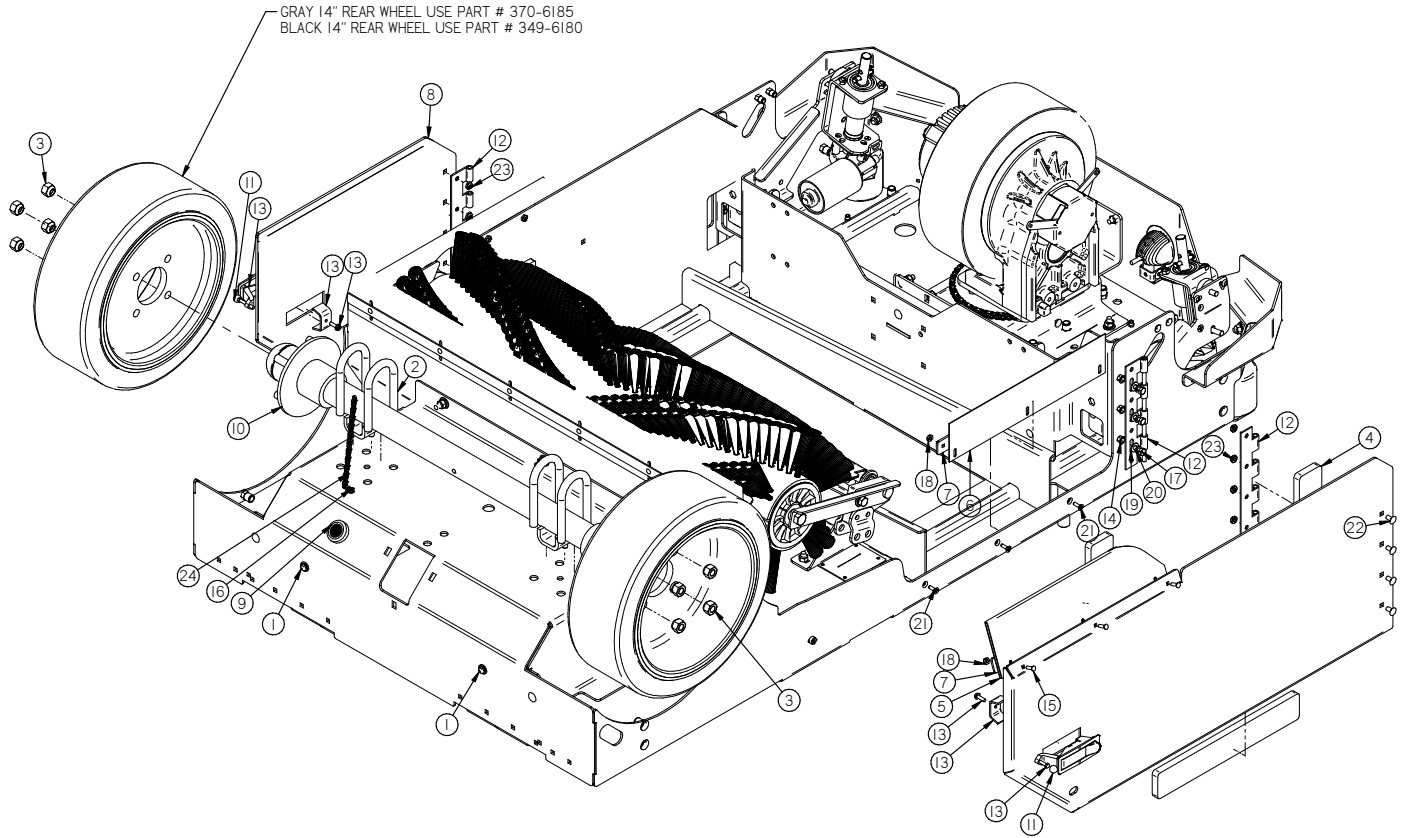
HOPPER BODY (ALUMINUM) 349-1260
 HOPPER BODY (STAINLESS STEEL) 349-1350
 HOPPER BODY (BLACK MILD STEEL) 349-1360

Item	Part No.	Part Description	Qty.
1	I50-7601	3" SIDE WHEEL (GREY)	8
2	349-1264	CASTER HOUSING	4
3	349-1267	ANGLE HANDLE REINF.	2
4	349-1280	HOPPER TOW BAR	1
5	349-1281	TOW HANDLE	1
6	349-1283	HOPPER BRACE HANDLE	2
7	349-5710	HOPPER FLAP	1
8	5-849	RECESSED HANDLE	2
9	8-163	HDPE SLIDE RAIL	2
10	8-575	HOPPER FLOOR SEAL CLAMP	1
11	H-0129159	JNYL 1/2"-13, 18-8 SS	1
12	H-0172447	BHSCS 1/2"- 13 X 3/4" SS	4
13	H-0172518	CB #10-32 X 1/2" SS	10
14	H-13213	HB 1/2" X 2 1/2"	1
15	H-50352	FW 17/32" SS	4
16	H-70205	HB 1/2" X 2 1/2"	1
17	H-70858	NYLOK #10-32 SS	10
18	H-70860	NYLOK 1/4"- 20 SS	4
19	H-70861	NYLOK 5/16"- 18 SS	3
20	H-70864	NYLOK 1/2"-13 SS	1
21	H-70922	KN #8-32	14
22	H-72398	PPH #8-32 X 1/2" S/S	14
23	H-74419	CB 1/4"- 20 X .75" SS	2
24	H-74435	CB 5/16"- 18 X 3.0" SS	4

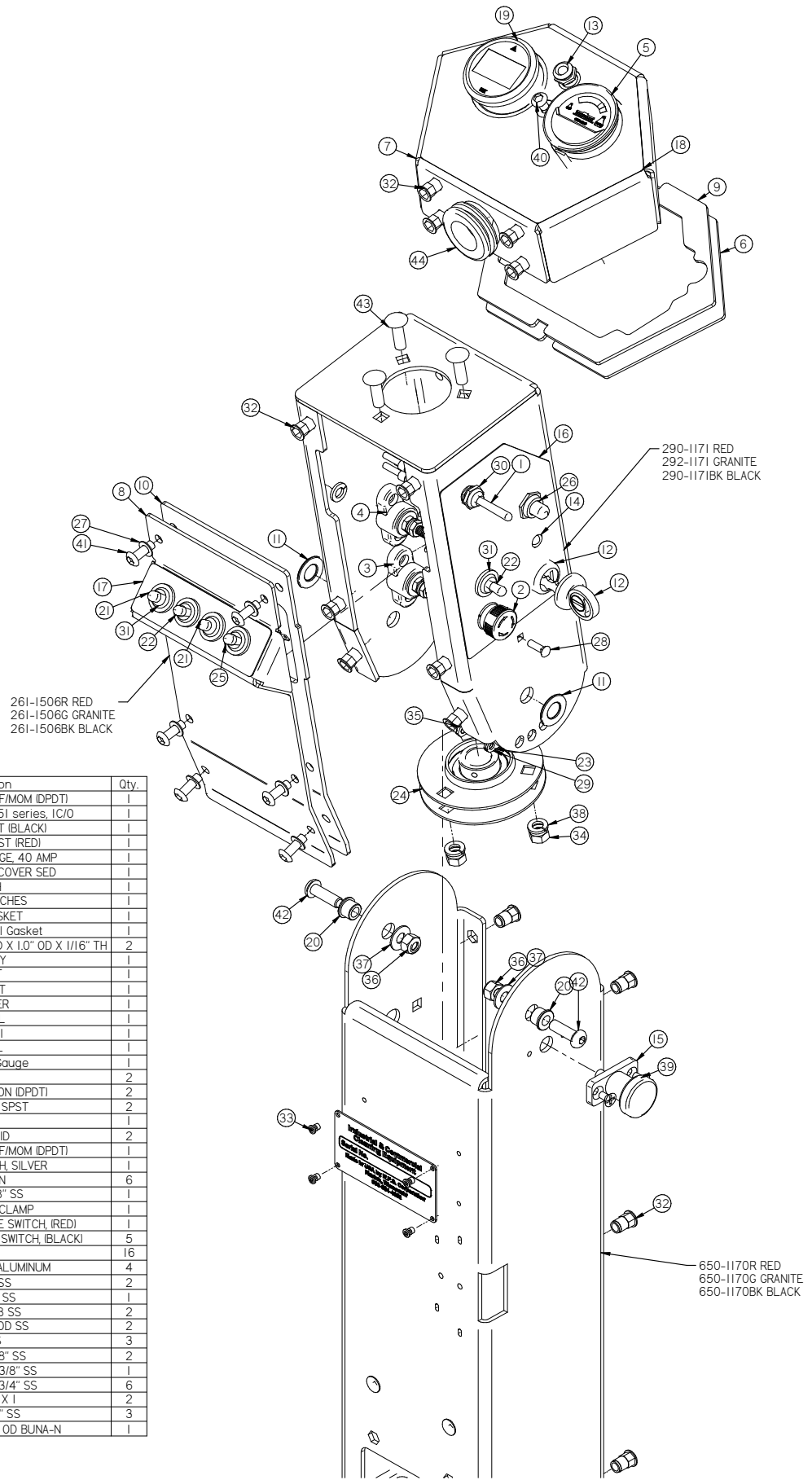


COMPLETE ASSEMBLY:
 (ALUMINUM HOPPER) 349-1260C
 (STAINLESS STEEL HOPPER) 349-1350C
 (BLACK MILD STEEL HOPPER) 349-1360C

Rear Axle and Doors

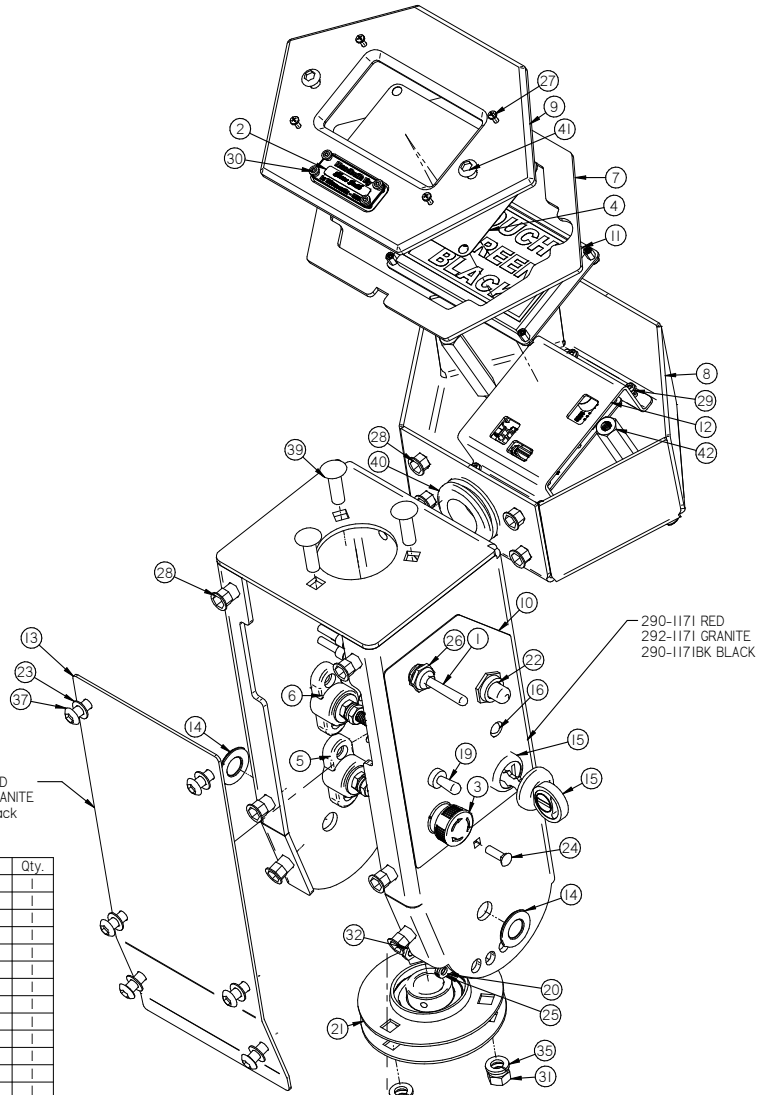


Item	Part No.	Part Description	Qty.
1	290-2310	FULL RECOVERY (RED)	2
2	290-6186	1/2-20 X 1-1/4" U BOLT	4
3	290-6187	LUG NUT, 1/2"- 20	8
4	349-7421	DOOR GASKET	1
5	349-9509	LEFT SIDE DOOR CURTAIN	1
6	349-9510	HOPPER SIDE CURTAIN	1
7	349-9515	LEFT CURTAIN BAND	2
8	349-9608	RIGHT SIDE DOOR	1
9	370-2930	ALARM (91 dPal)	1
10	370-6040	REAR AXLE	1
11	5-100	GROMMET	2
12	5-122	8" SS HINGE	2
13	5-130	DOOR LATCH	2
14	H-00918	HCH 1/4"-20 LG	7
15	H-0172519	CB #10-32 X 5/8" SS	3
16	H-31810	#10-16 X 1/2 DRILL TAP	1
17	H-70003	HCS 1/4"-20 X 3/4" SS	3
18	H-70858	NYLOK #10-32 SS	5
19	H-71013	FW 1/4 ID X 5/8 OD SS	3
20	H-71063	LW 1/4" SS	3
21	H-72683	FHP #10-32 X 5/8" SS	3
22	H-74417	CB 1/4"- 20 X .5" SS	4
23	H-NJ04C	JNYL 1/4" - 20 SS	6
24	T-36082451000	10" GOLD GROUING CHAIN	1

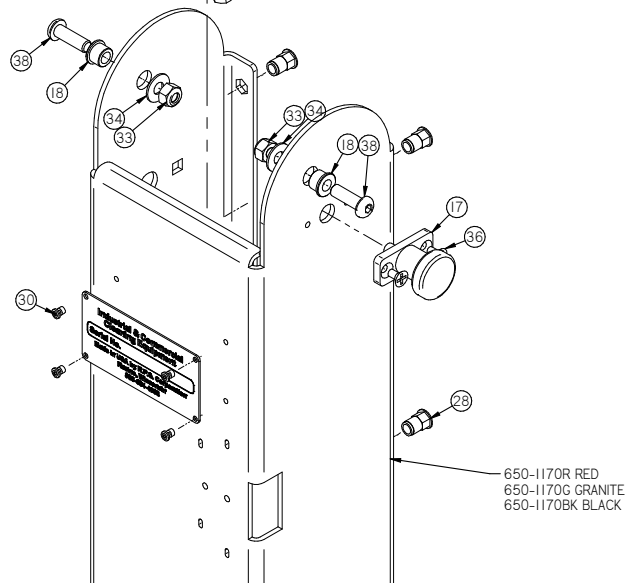


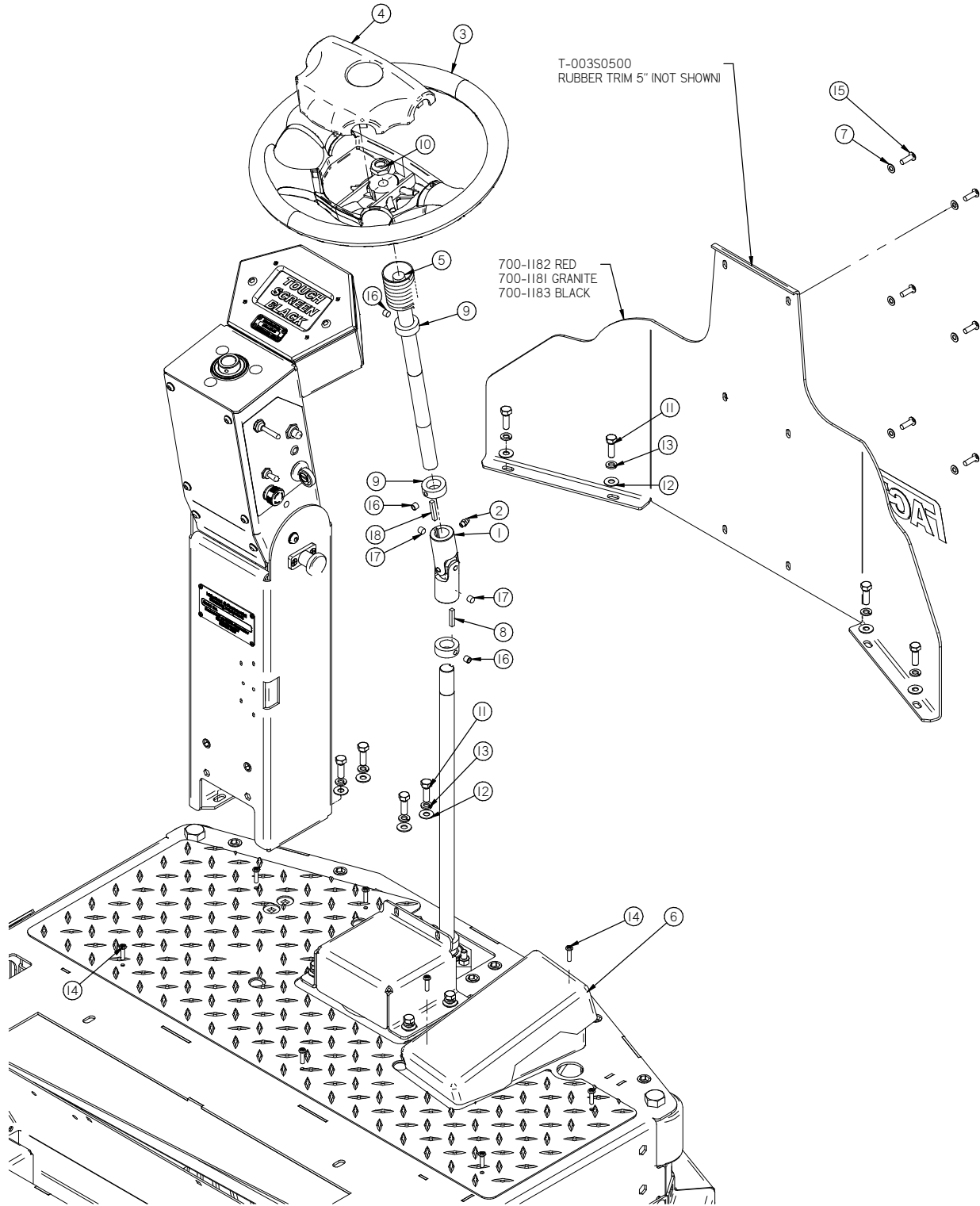
Item	Part No.	Part Description	Qty.
1	150-2830	SWITCH, TOGGLE, MOM/OFF/MOM (DPDT)	1
2	175-0300	Emergency stop switch, 51 series, IC/O	1
3	175-2700	NEG INSULATOR POST (BLACK)	1
4	175-2710	POS INSULATOR POST (RED)	1
5	190-4852	BRUSH PRESSURE GAUGE, 40 AMP	1
6	211-1505	FRONT DASH BOTTOM COVER SED	1
7	261-1504	FRONT DASH	1
8	261-1506	COVER WITH SWITCHES	1
9	261-1507	FRONT DASH GASKET	1
10	261-4023	Front Switch Panel Gasket	1
11	290-1247	BRONZE THRUST BEARING, .50" ID X 1.0" OD X 1/16" TH	2
12	290-234	LOCK AND KEY	1
13	290-2340	GREEN LIGHT	1
14	290-2350	YELLOW LIGHT	1
15	290-7050	INDEX PLUNGER	1
16	349-2021	TOWER DECAL	1
17	349-2021	Switch Decal	1
18	349-2021	DASH DECAL	1
19	349-4855	Gauge, Battery, iGauge	1
20	370-1245	BUSHING	2
21	370-8210	SWITCH, TOGGLE, ON/ON (DPDT)	2
22	370-8920	TOGGLE, ON-OFF SPST	2
23	4-352	BEARING	1
24	4-364A	FLANGE, 1.75" ID	2
25	7-283	SWITCH, TOGGLE, MOM/OFF/MOM (DPDT)	1
26	8-294B	PUSH BUTTON SWITCH, SILVER	1
27	H-00282	FW 1/4" NYLON	6
28	H-0172519	CB #10-32 X 5/8" SS	1
29	H-02239	3/8" NYLON LOOP CLAMP	1
30	H-11196	PROTECTIVE BOOT, TOGGLE SWITCH, (RED)	1
31	H-11300	PROTECTIVE BOOT, TOGGLE SWITCH, (BLACK)	5
32	H-250HCN	HCN 1/4"-20	16
33	H-41007	AB4-3A BLIND RIVET ALUMINUM	4
34	H-70711	HN 5/16" - 18 SS	2
35	H-70858	NYLON #10-32 SS	1
36	H-70861	NYLON 5/16" - 18 SS	2
37	H-71015	FW 5/16 ID X 3/4 OD SS	2
38	H-71065	LW 5/16" SS	3
39	H-72681	FHP #10-32 X 3/8" SS	2
40	H-73751	BHSCS 1/4 - 20 X 3/8" SS	1
41	H-73754	BHSCS 1/4 - 20 X 3/4" SS	6
42	H-73780	BHSCS 5/16-18 X 1	2
43	H-74430	CB 5/16" - 18 X 1" SS	3
44	H-9307K74	GROMMET, 1" ID X 1-3/4" OD BUNA-N	1

Touch Screen Steering tower



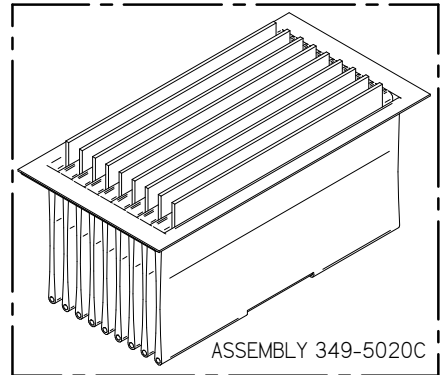
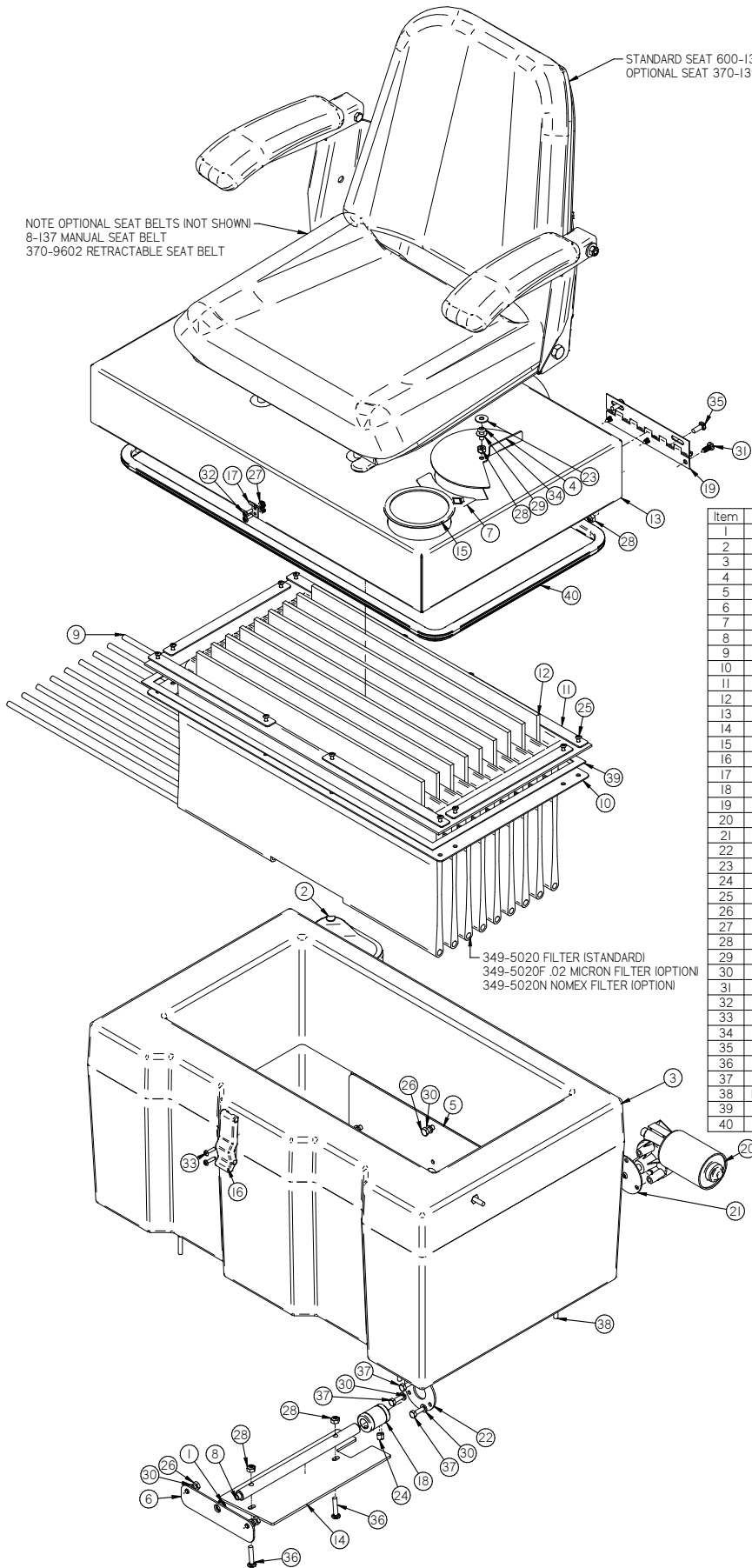
Item	Part No.	Part Description	Qty.
1	150-2830	SWITCH, TOGGLE, MOM/OFF/MOM (DPDT)	1
2	175-0101	BUILT BY PLATE	1
3	175-0300	Emergency stop switch, 51 series, IC/O	1
4	175-2024	TOUCH SCREEN PROTECTOR	1
5	175-2700	NEG INSULATOR POST (BLACK)	1
6	175-2710	POS INSULATOR POST (RED)	1
7	261-1507	FRONT DASH GASKET	1
8	261-1513	TOUCH SCREEN TUGS DASH BASE	1
9	261-1514	FRONT TOUCH SCREEN DASH	1
10	261-2020	TOWER DECAL	1
11	264-2891	4 INCH TOUCH SCREEN (BLACK)	1
12	264-2891	TOUCH SCREEN CONTROLLER	1
13	290-1172	COVER	1
14	290-1247	BRONZE THRUST BEARING, .50" ID X 1.0" OD X 1/16" TH	2
15	290-234	LOCK AND KEY	1
16	290-2350	YELLOW LIGHT	1
17	290-7050	INDEX PLUNGER	1
18	370-1245	BUSHING	2
19	370-8920	TOGGLE, ON-OFF SPST	1
20	4-352	BEARING	1
21	4-364A	FLANGE, 1.75" ID	2
22	8-2948	PUSH BUTTON SWITCH, SILVER	1
23	H-00282	FW 1/4" NYLON	6
24	H-0172519	CB #10-32 X 5/8" SS	1
25	H-02239	3/8" NYLON LOOP CLAMP	1
26	H-11196	PROTECTIVE BOOT, TOGGLE SWITCH, (RED)	1
27	H-1128643	PPH #4-40 X .375 ZINK	4
28	H-250HCN	HCN 1/4"-20	16
29	H-37006	NYLOK #4-40 ZINK	4
30	H-41007	AB4-3A BLIND RIVET ALUMINUM	8
31	H-70711	HN 5/16" - 18 SS	2
32	H-70858	NYLOK #10-32 SS	1
33	H-70861	NYLOK 5/16" - 18 SS	2
34	H-71015	FW 5/16 ID X 3/4 OD SS	2
35	H-71065	LW 5/16" SS	2
36	H-72681	FHP #10-32 X 3/8" SS	2
37	H-73754	BHSCS 1/4 - 20 X 3/4" SS	6
38	H-73780	BHSCS 5/16-18 X 1	2
39	H-74430	CB 5/16" - 18 X 1" SS	3
40	H-9307K74	GROMMET, 1" ID X 1-3/4" OD BUNA-N	1
41	H-94050	BHSCS 1/4 - 20 X 5/8" ZINK	3
42	M-92230A340	1/4-20 x 2.5in - Female Standoff ZINK	2



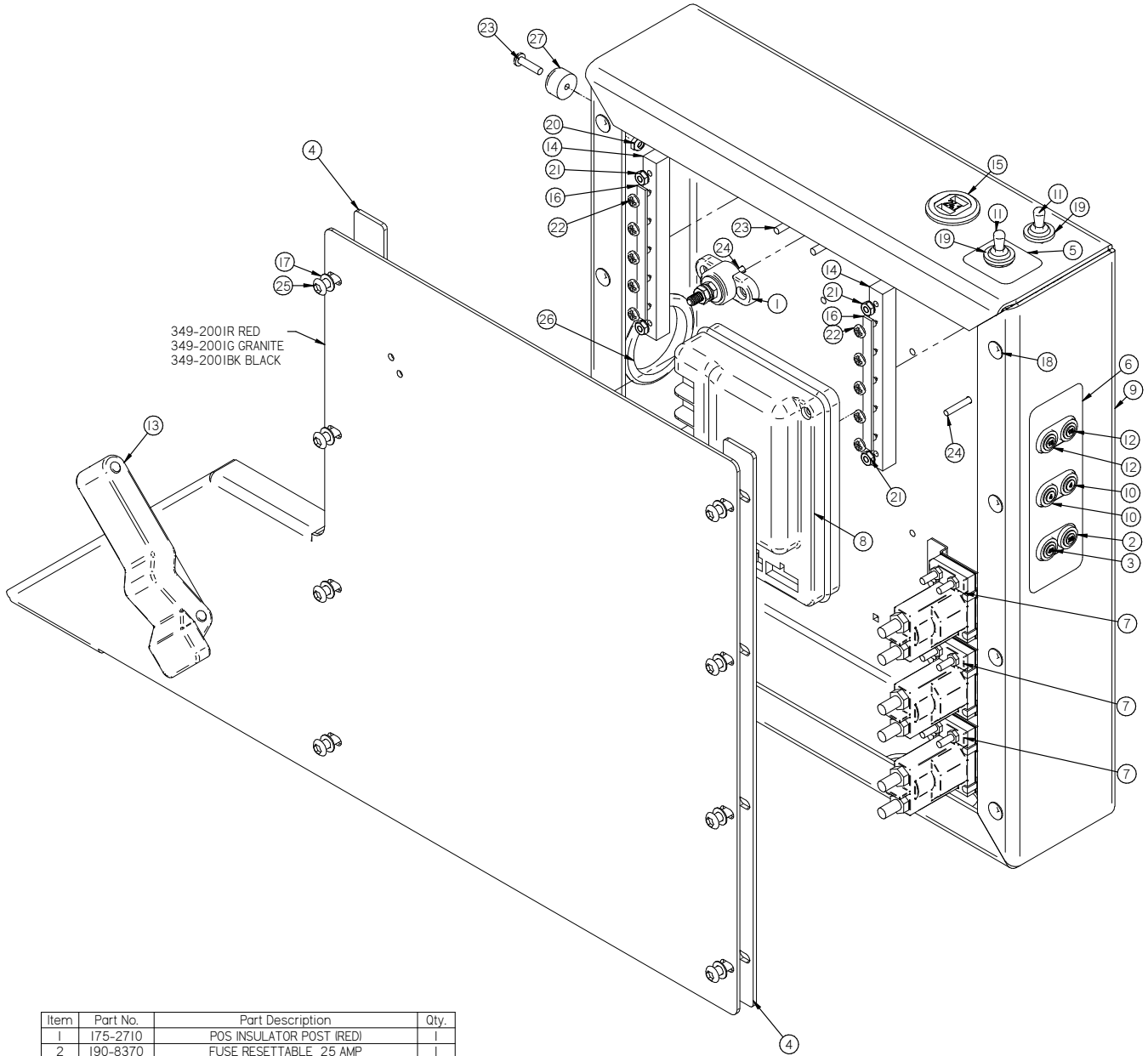


Item	Part No.	Part Description	Qty.	Item	Part No.	Part Description	Qty.
10	H-37038	JNYL 5/8" - 11	1	1	290-7110	U-JOINT	1
11	H-70055	HCS 5/16" - 18 X 1" SS	10	2	290-7111	1/4-28 ZERK FITTING	1
12	H-71015	FW 5/16 ID X 3/4 OD SS	10	3	650-7030	STEERING WHEEL	1
13	H-71065	LW 5/16" SS	10	4	650-7031	STEERING WHEEL COVER	1
14	H-72534	PPH #10-32 X 3/4" S/S	5	5	650-7090	STEERING SHAFT, UPPER	1
15	H-73754	BHSCS 1/4" - 20 X 3/4" SS	6	6	8-290	FOOT PEDAL	1
16	H-81983	5/16" X 1/4" KURL SET SCREW	3	7	H-00282	FW 1/4" NYLON	6
17	H-82022	5/16-24" X 1/4" KURL SET SCREW	2	8	H-01125	3/16" X 1" KEY	1
18	H-K14320	3/16" X 1 1/4" KEY	1	9	H-33376	SHAFT COLLAR, 3/4" ID X 9/16 LG	3

Filter Box and Seat

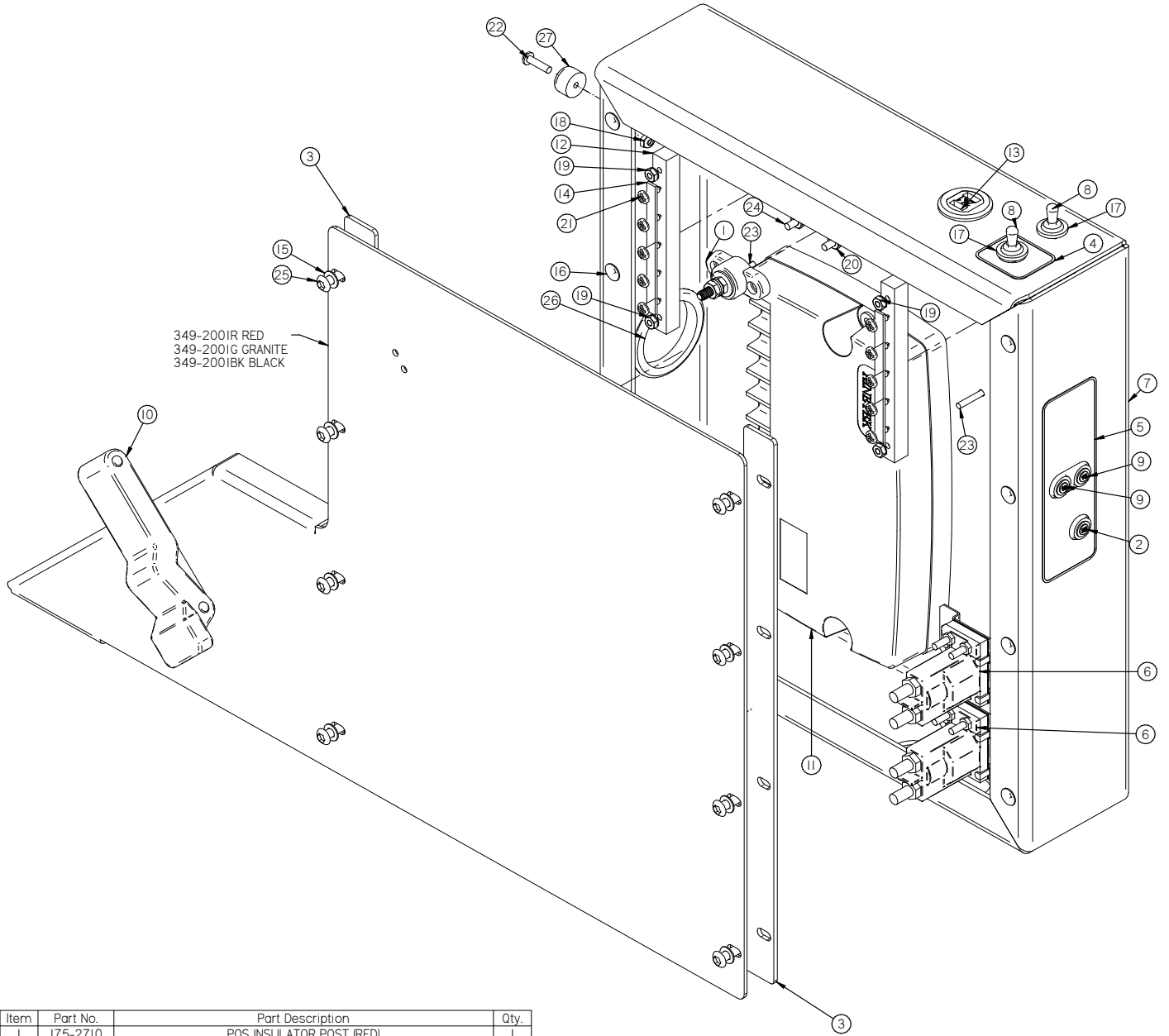


Item	Part No.	Part Description	Qty.
1	290-1233	3/8" ID, 1/2" OD, 1/4" LG BEARING	2
2	349-1124	TR SOLUTION FILL CURTIAN	1
3	349-1402	FILTER BOX	1
4	349-1405	FILTER CHAMBER VENT LID	1
5	349-1408	SHAKER MOTOR MOUNT	1
6	349-1409	SHAKER PANEL	1
7	349-2021	DASH DECAL	1
8	349-4451	FILTER SHAKER SHAFT	1
9	349-5030	FILTER WEIGHT ROD	9
10	349-5050	FILTER FRAME	1
11	349-5051	FILTER BAND	6
12	349-5210	FILTER SEPARATOR	9
13	349-9527	FILTER HOOD	1
14	349-9550	FILTER BEATER BAR PLATE	1
15	370-0014	CUP HOLDER	1
16	4-124	LATCH	1
17	4-124	CLIP, LATCH	1
18	4-444	BROOM SAFETY DRIVE CPLG	1
19	8-180	HINGE, 6-7/8" S/S	1
20	8-221	24 VOLT/100 RPM MOTOR	1
21	8-222	MOTOR GASKET	1
22	8-223	GASKET BACKING PLATE	1
23	H-02739	FW, 17/32" ID X 3/4" OD X 1/16" TH, TEFLON	1
24	H-25381	1/4"-20 X 3/8" KURL SET SCREW	2
25	H-31810	#10-18 X 1/2 DRILL TAP	12
26	H-70003	HCS 1/4"-20 X 3/4" SS	4
27	H-70856	NYLOK #8-32 SS	2
28	H-70860	NYLOK 1/4"- 20 SS	7
29	H-71013	FW 1/4 ID X 5/8 OD SS	4
30	H-71063	LW 1/4" SS	7
31	H-71893	1/4 X 3/4 SELF TAPPING SCREW	6
32	H-72398	PPH #8-32 X 1/2" S/S	2
33	H-72916	PPH SMS #8 X 3/4" SS	2
34	H-73753	BHSCS 1/4 - 20 X 5/8" SS	1
35	H-74419	CB 1/4"- 20 X .75" SS	4
36	H-74421	CB 1/4"- 20 X 1-1/4" SS	2
37	H-M82550	HCS M6-10 X 20 SS	3
38	M-95412A544	STUD 1/4"-20 X 1-1/4" SS	5
39	T-00257600	1/2" DBL SIDED TAPE	1
40	T-1233S7750	PUSH-ON RUBBER GASKET	1



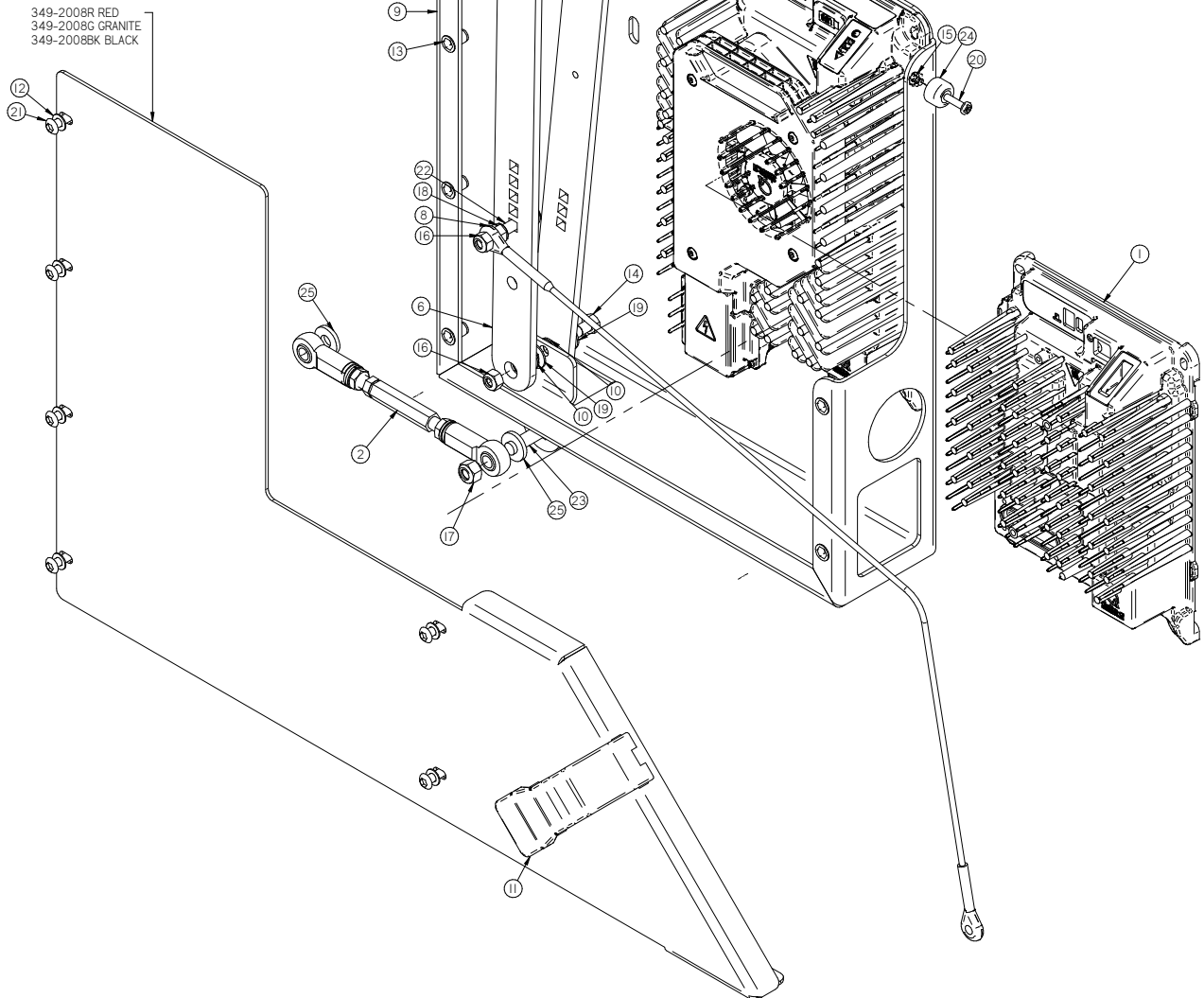
Item	Part No.	Part Description	Qty.
1	175-2710	POS INSULATOR POST (RED)	1
2	190-8370	FUSE, RESETTABLE, 25 AMP	1
3	190-9609	FUSE, RESETTABLE, 40 AMP	1
4	349-2009	ACCESS COVER GASKET	2
5	349-2021	VAC STICKER	1
6	349-2021	MILITARY CB STICKER	1
7	349-2331	RELAY, 24V, SMALL, W/FLAT MTG PLATE	3
8	349-2900	IDRIVE, 24V 180 AMP CONTROLLER	1
9	349-9535	CENTRAL COMMAND	1
10	349-9604	FUSE, RESETTABLE, 4 AMP, 50V DC MAX	2
11	370-8210	SWITCH, TOGGLE, ON/ON (DPDT)	2
12	390-9615	FUSE, RESETTABLE, 15 AMP, 50V DC MAX	2
13	600-1240	LATCH	1
14	7-287	BUSS BAR UHMW	2
15	700-2590	DUAL USB PORTS	1
16	E-5HBB	5 HOLE BUSS BAR	2
17	H-00282	FW 1/4" NYLON	8
18	H-00918	HCN 1/4"-20 LG	8
19	H-11300	PROTECTIVE BOOT, TOGGLE SWITCH, (BLACK)	2
20	H-70858	NYLOK #10-32 SS	1
	H-70922	KN #8-32	4
22	H-72398	PPH #8-32 X 1/2" S/S	10
23	H-72534	PPH #10-32 X 3/4" S/S	3
24	H-72645	FHP #8-32 X 1.0"	4
25	H-73754	BHSCS 1/4 - 20 X 3/4" SS	8
26	H-9307K99	GROMMET, 2" ID X 2-5/8" OD	1
27	H-9540	RUBBER BUMPER, 25/32"	1

Touch Screen Central Command

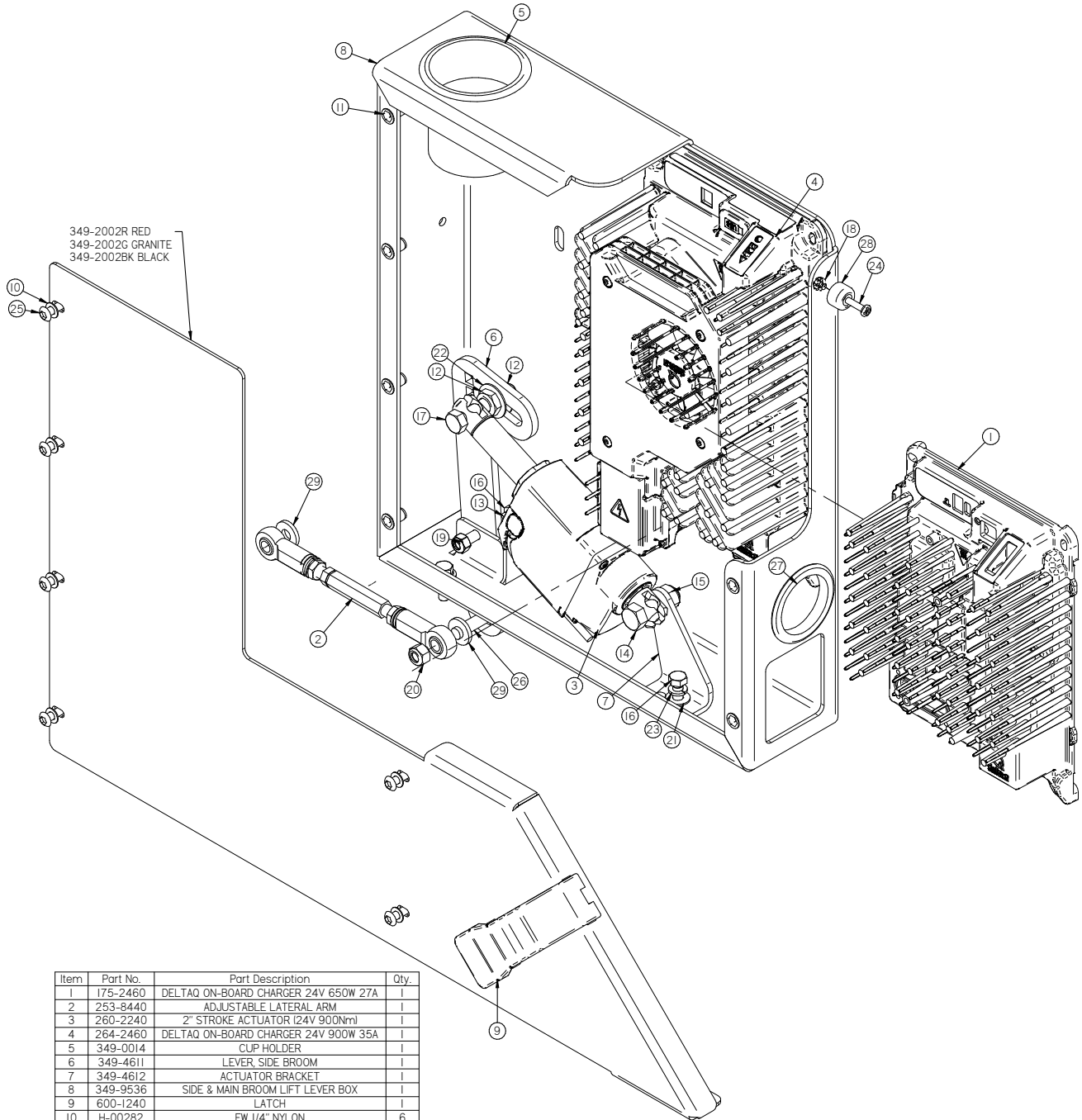


Item	Part No.	Part Description	Qty.
1	175-2710	POS INSULATOR POST (RED)	1
2	190-8370	FUSE, RESETTABLE, 25 AMP	1
3	349-2009	ACCESS COVER GASKET	2
4	349-2020	VAC STICKER	1
5	349-2020	TOUCH SCREEN CB STICKER	1
6	349-2331	RELAY, 24V, SMALL, W/FLAT MTG PLATE	2
7	349-9535	CENTRAL COMMAND	1
8	370-8210	SWITCH, TOGGLE, ON/ON IDPDTI	2
9	390-9615	FUSE, RESETTABLE, 15 AMP, 50V DC MAX	3
10	600-1240	LATCH	1
11	650-2890	KINETECK TOUCH SCREEN CONTROLER	1
12	7-287	BUSS BAR UHMW	2
13	700-2590	DUAL USB PORTS	1
14	E-5HBB	5 HOLE BUSS BAR	2
15	H-00282	FW 1/4" NYLON	8
16	H-00918	HCN 1/4"-20 LG	8
17	H-11300	PROTECTIVE BOOT, TOGGLE SWITCH, (BLACK)	2
18	H-70858	NYLOK #10-32 SS	1
19	H-70922	KN #8-32	4
20	H-70923	KN #10-32 SS	2
21	H-72398	PPH #8-32 X 1/2" S/S	10
22	H-72534	PPH #10-32 X 3/4" S/S	1
23	H-72645	FHP #8-32 X 1.0"	4
24	H-72684	FHP 10-32 X 3/4" SS	2
25	H-73754	BHSCS 1/4 - 20 X 3/4" SS	8
26	H-9307K99	GROMMET, 2" ID X 2-5/8" OD	1
27	H-9540	RUBBER BUMPER, 25/32"	1

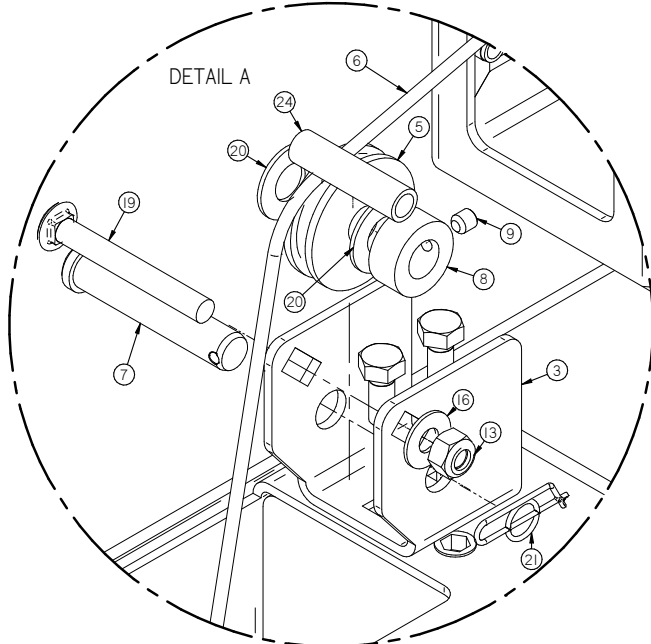
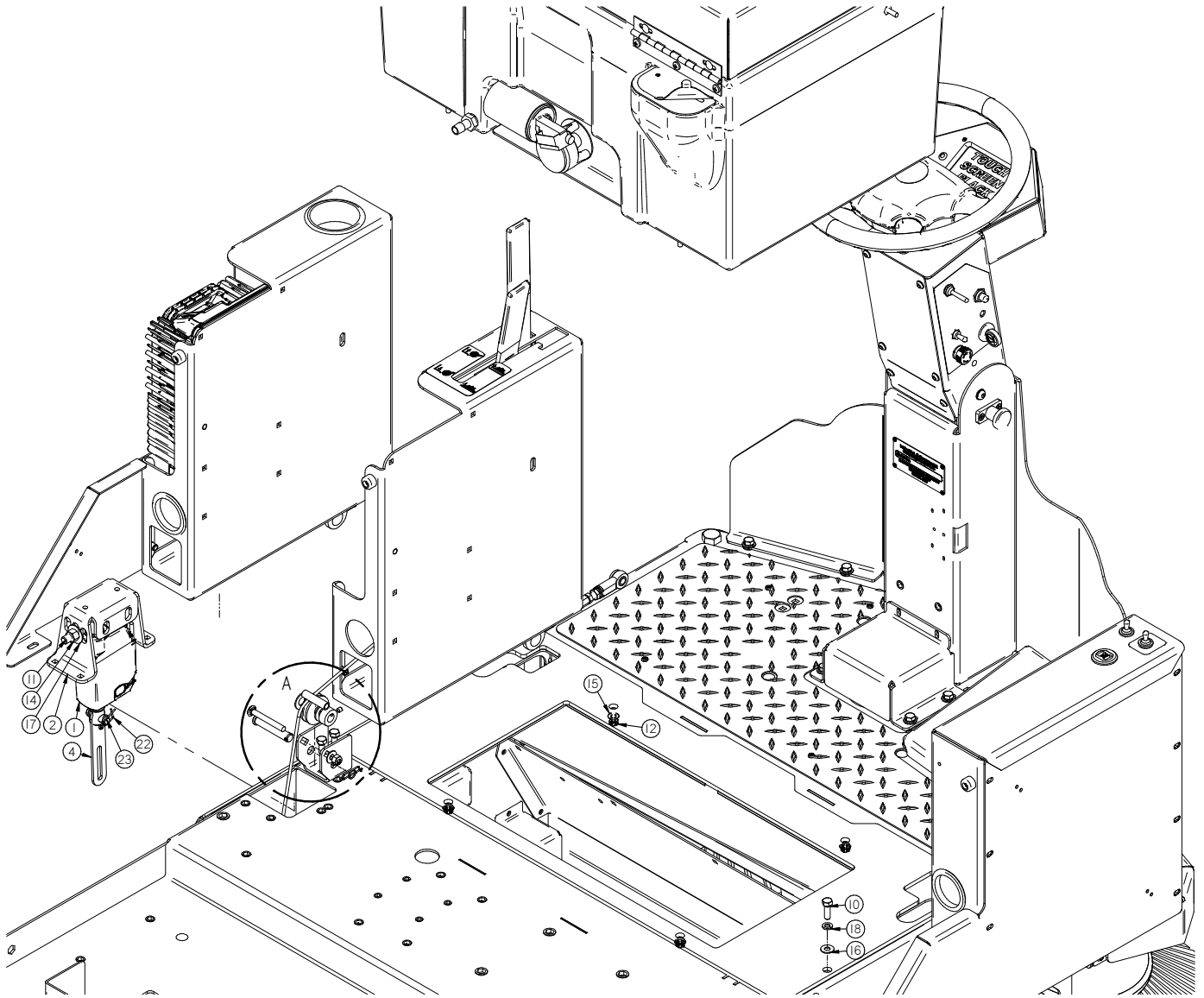
Item	Part No.	Part Description	Qty.
1	175-2460	DELTAQ ON-BOARD CHARGER 24V 650W 27A	1
2	253-8440	ADJUSTABLE LATERAL ARM	1
3	264-2460	DELTAQ ON-BOARD CHARGER 24V 900W 35A	1
4	349-2021	SIDE BROOM MAIN BROOM STICKER	1
5	349-4481	LIFT ARM GRIP (YELLOW)	2
6	349-4510	MAIN BROOM LIFT LEVER	1
7	349-4610	LEVER, SIDE BROOM	1
8	349-7890	MAIN BROOM CABLE	1
9	349-9538	SIDE & MAIN BROOM LIFT LEVER BOX	1
10	370-1247	BUSHING 5/16 X 1/2 X 3/16	2
11	600-1240	LATCH	1
12	H-00282	FW 1/4" NYLON	6
13	H-00918	HCN 1/4"-20 LG	6
14	H-70057	HCS 5/16" - 18 X 1-1/4"	1
15	H-70858	NYLOK #10-32 SS	1
16	H-70861	NYLOK 5/16" - 18 SS	3
17	H-70862	NYLOK 3/8"-16 SS	1
18	H-70926	KN 15/16-18 S/S	1
19	H-71015	FW 5/16 ID X 3/4 OD SS	2
20	H-72534	PPH #10-32 X 3/4" S/S	1
21	H-73754	BHSCS 1/4 - 20 X 3/4" SS	6
22	H-74431	CB 5/16" - 18 X 1-1/4" SS	1
23	H-74438	CB 3/8" - 16 X 1-1/2" SS	1
24	H-9540	RUBBER BUMPER 25/32"	1
25	H-98025	FW 3/8" GRADE 8	2



Touch Screen Side broom lift box and Onboard Charger mount

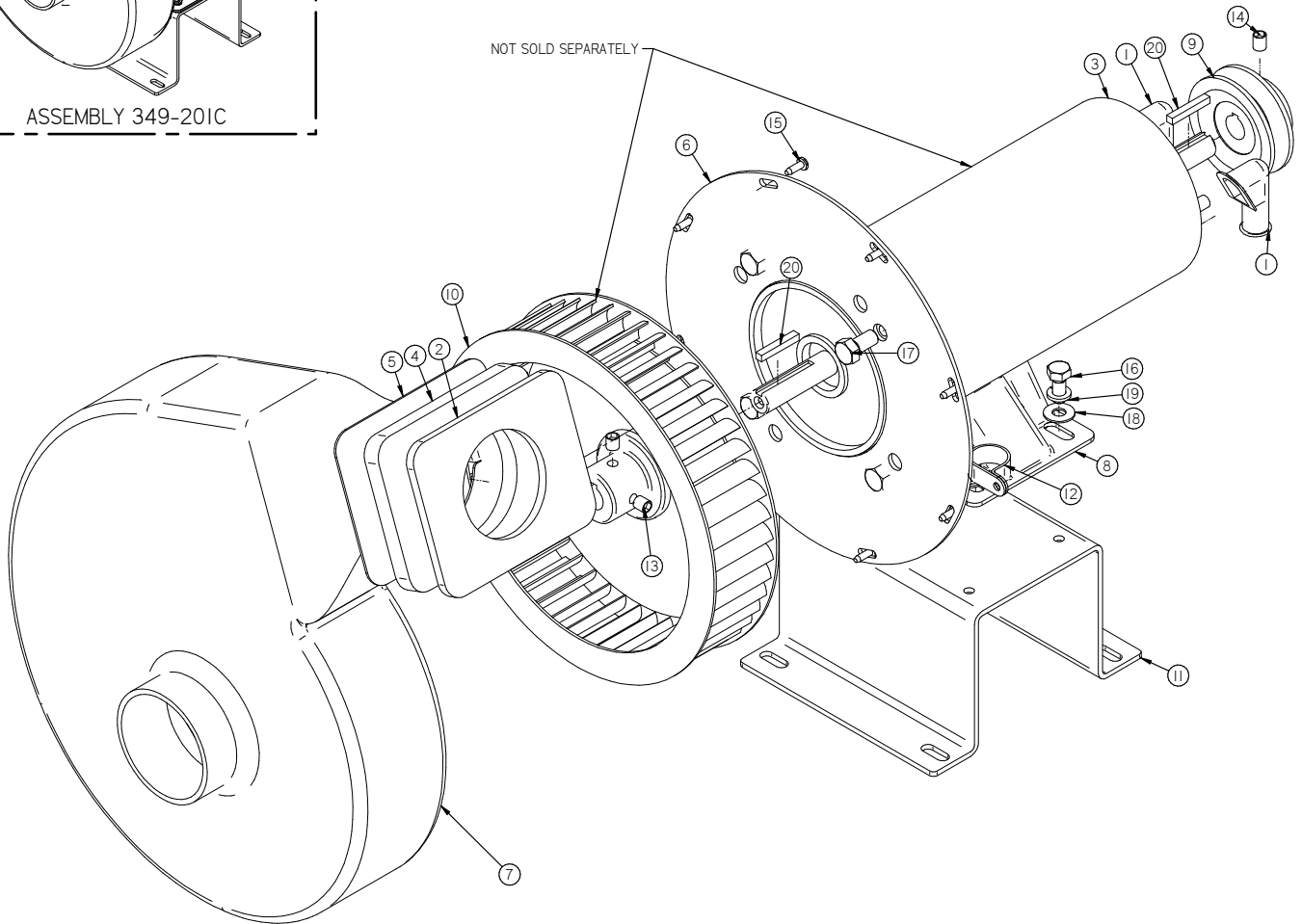
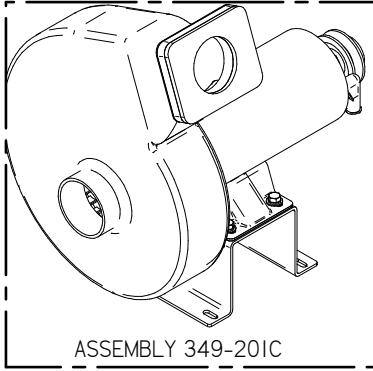


Item	Part No.	Part Description	Qty.
1	175-2460	DELTAQ ON-BOARD CHARGER 24V 650W 27A	1
2	253-8440	ADJUSTABLE LATERAL ARM	1
3	260-2240	2" STROKE ACTUATOR (24V 900Nm)	1
4	264-2460	DELTAQ ON-BOARD CHARGER 24V 900W 35A	1
5	349-0014	CUP HOLDER	1
6	349-4611	LEVER, SIDE BROOM	1
7	349-4612	ACTUATOR BRACKET	1
8	349-9536	SIDE & MAIN BROOM LIFT LEVER BOX	1
9	600-1240	LATCH	1
10	H-00282	FW 1/4" NYLON	6
11	H-00918	HCN 1/4"-20 LG	6
12	H-0129159	JNYL, 1/2"-13, 18-8 SS	2
13	H-05337	FW 1/2" ID X 1/16" THICK NYLON	1
14	H-11567651	HCS M12-1.75 X 40MM ZINK	1
15	H-40171	NYLOK M12-1.75 ZINK	1
16	H-70055	HCS 5/16" - 18 X 1" SS	4
17	H-70162	HCS 7/16"-14 X 2.25" SS	1
18	H-70858	NYLOK #10-32 SS	1
19	H-70861	NYLOK 5/16" - 18 SS	2
20	H-70862	NYLOK 3/8"-16 SS	1
21	H-71015	FW 5/16 ID X 3/4 OD SS	2
22	H-71019	FW 7/16 ID X 1-1/8 OD SS	2
23	H-71065	LW 5/16" SS	2
24	H-72534	PPH #10-32 X 3/4" S/S	1
25	H-73754	BHSCS 1/4 - 20 X 3/4" SS	6
26	H-74438	CB 3/8" - 16 X 1-1/2" SS	1
27	H-9307K99	GROMMET, 2" ID X 2-5/8" OD	1
28	H-9540	RUBBER BUMPER, 25/32"	1
29	H-98025	FW 3/8" GRADE 8	2

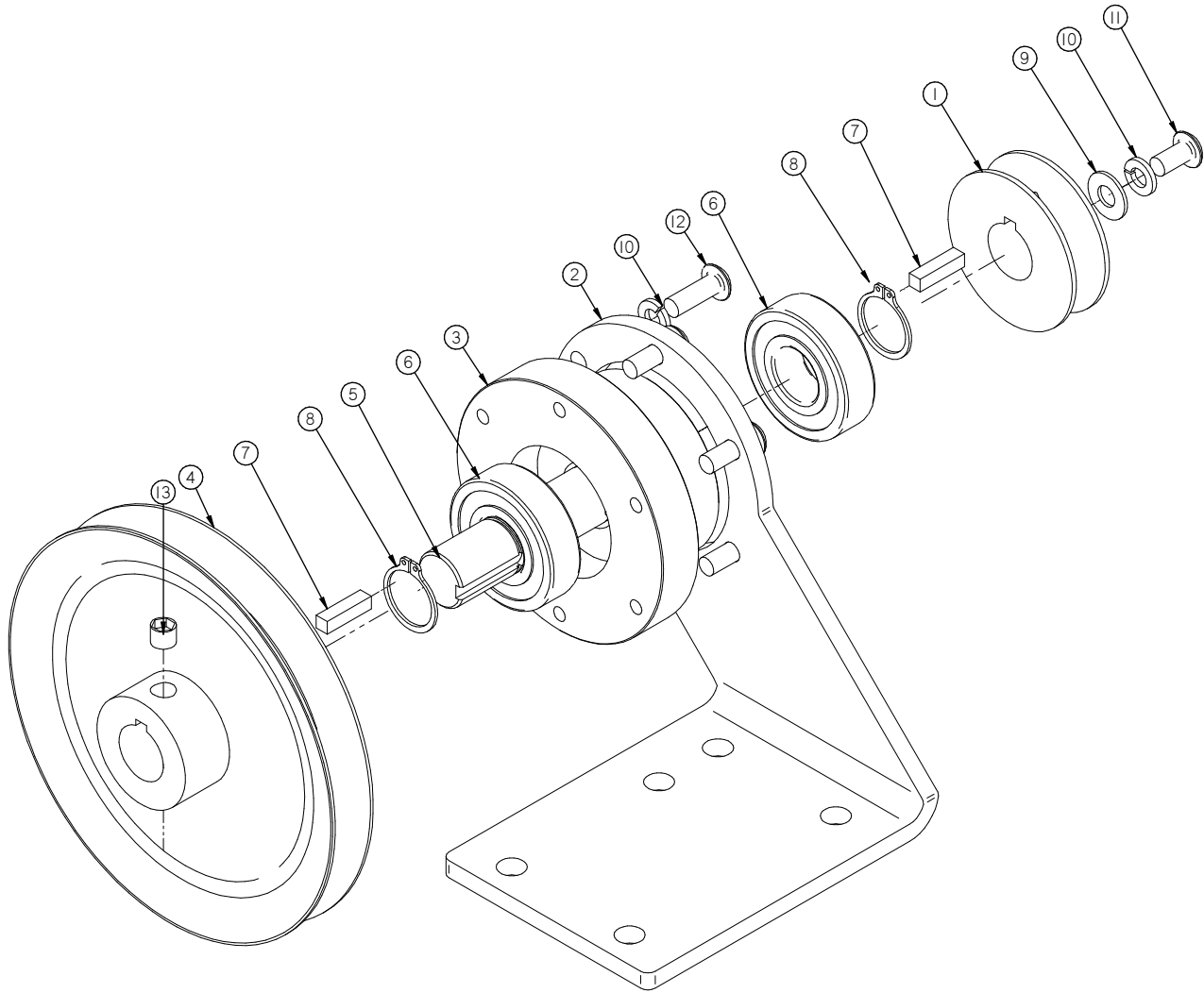


Item	Part No.	Part Description	Qty.
1	150-2210D	2" STROKE ACTUATOR (24V 600Nm)	1
2	349-1008	MAIN BROOM ACTUATOR TOWER	1
3	349-1139	MAINBROOM PULLEY BRACKET	1
4	349-4300	MAIN BROOM LIFT ARM	1
5	349-7721	PULLEY, NYLON	1
6	349-7890	MAIN BROOM CABLE	1
7	H-0156773	CLEVIS PIN, 1/2" X 2-1/2"	1
8	H-03660	1/2" ID X 7/16" LG SETSCREW SHAFT COLLAR	1
9	H-25379	SETSCREW, KCP, 1/4"-20 X 1/4"	1
10	H-70055	HCS 5/16"-18 X 1" SS	1
11	H-70173	HCS 7/16"-14 X 5.0" SS	1
12	H-70860	NYLOK 1/4"-20 SS	1
13	H-70861	NYLOK 5/16"-18 SS	1
14	H-70863	NYLOK 7/16"-14 SS	1
15	H-71013	FW 1/4 ID X 5/8 OD SS	1
16	H-71015	FW 5/16 ID X 3/4 OD SS	2
17	H-71019	FW 7/16 ID X 1-1/8 OD SS	1
18	H-71065	LW 5/16" SS	1
19	H-74434	CB 5/16"-18 X 2.5" SS	1
20	H-76065	FW 1/2" NYLON	2
21	H-RUE22	1/2" RUE RING COTTER	1
22	H-RUE706	rue ring cotter .4375	1
23	M-92390A316	.4375 X 1.25 CLEVIS	1
24	T-031B0175	CABLE GUIDE	1

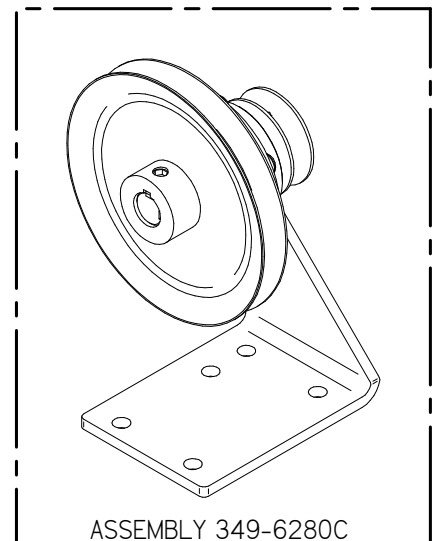
Main Broom Motor



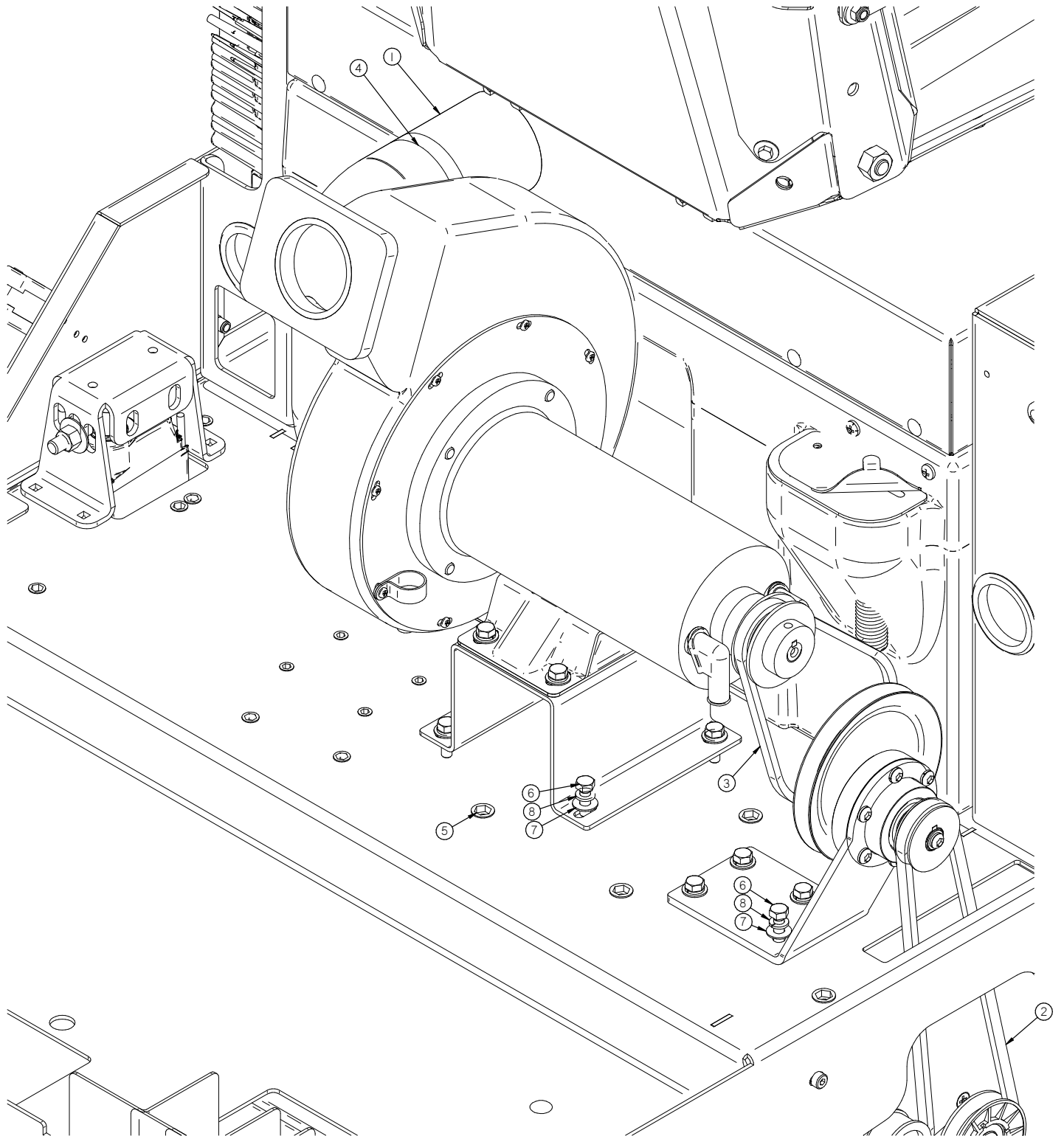
Item	Part No.	Part Description	Qty.
1	290-2780	TERMINAL BOOT, BLACK	2
2	349-1127	FAN INTAKE SEAL	1
3	349-201	24V 2000 RPM TWIN SHAFT MOTOR	1
4	349-3008	FAN HOUSING GASKET	1
5	349-5106	FAN GASKET BRACKET	1
6	349-5108	BLOWER FACE	1
7	349-5112	FAN HOUSING	1
8	4-201B	MOTOR CRADLE	1
9	4-301	MAIN DRIVE PULLEY	1
10	4-512	BLOWER WHEEL	1
11	8-165	MOTOR SUPPORT BRACKET	1
12	H-0127296	LOOP CLAMP, 1.0"	1
13	H-25484	5/16" X 5/16" KURL SET SCREW	2
14	H-25485	5/16" X 3/8" KURL SET SCREW	1
15	H-31810	#10-16 X 1/2 DRILL TAP	8
16	H-70053	HCS 5/16"-18 X 3/4" SS	2
17	H-70103	HCS 3/8"-16 X 3/4" SS	4
18	H-71015	FW 5/16 ID X 3/4 OD SS	2
19	H-71065	LW 5/16" SS	2
20	H-K14320	3/16" X 1 1/4" KEY	2



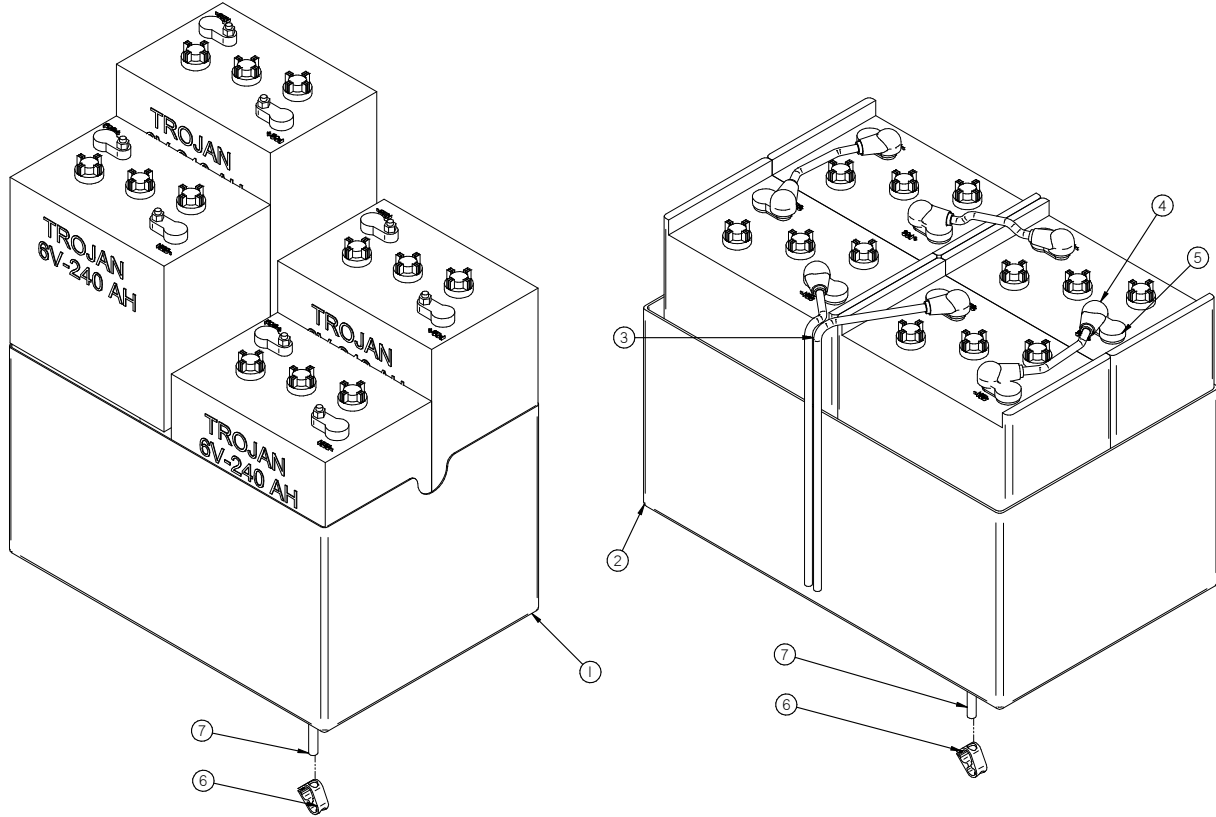
Item	Part No.	Part Description	Qty.
1	349-3200	BROOM DRIVE PULLEY	1
2	349-6280	JACKSHAFT PLATE	1
3	349-6281	JACKSHAFT COLLAR	1
4	4-312	TRANS INPUT PULLEY	1
5	8-641	JACKSHAFT SHAFT	1
6	8-723B	1-3/4 X 3/4" ROLLER BEARING	2
7	H-0953152	3/16" X 3/4" KEY	2
8	H-68015	SNAPRING 3/4"	2
9	H-71013	FW 1/4 ID X 5/8 OD SS	1
10	H-71063	LW 1/4" SS	7
11	H-73752	BHSCS 1/4 - 20 X 1/2" SS	1
12	H-73754	BHSCS 1/4 - 20 X 3/4" SS	6
13	H-81983	5/16" X 1/4" KURL SET SCREW	1



Main Broom motor, Jack Shaft and On board Charger

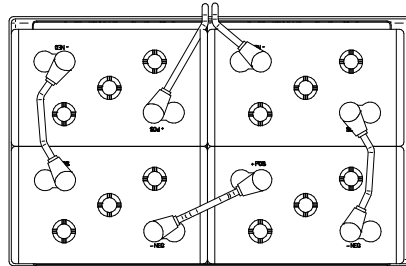


Item	Part No.	Part Description	Qty.
1	349-0020	3 INCH ID X 20 INCH LG. VAC HOSE	1
2	349-3020	MAIN BROOM BELT	1
3	8-301	MOTOR TO JACK SHAFT BELT	1
4	H-0427619	CLAMP 2" - 3"	1
5	H-312NCNL	HCS 5/16"-18 LG	1
6	H-70055	HCS 5/16"-18 X 1" SS	7
7	H-71015	FW 5/16 ID X 3/4 OD SS	7
8	H-71065	LW 5/16" SS	7



Item	Part No.	Part Description	Qty.
1	175-0000	BATTERY TRAY	1
2	253-1480	MAGNUM SERIES BATTERY TRAY	1
3	349-1900	WIRE HARNESS, COMPLETE	1
4	H-40031	BATTERY BOOT	8
5	H-400317	TERMINAL COVER	8
6	M-5031K12	CLAMP STYLE PINCH VALVE	1
7	T-031B1200	BLACK DRAIN HOSE	1

24-V

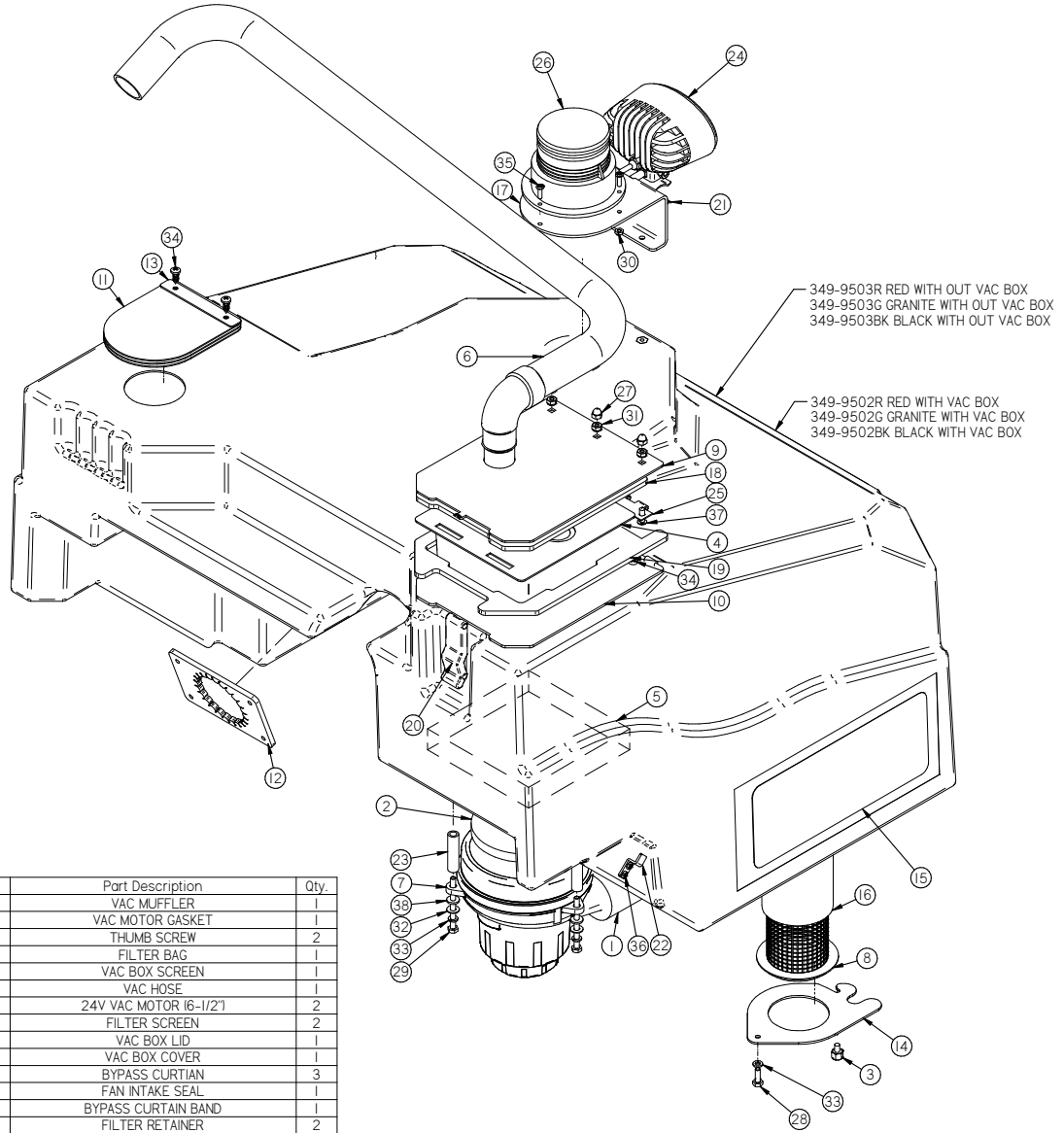


(4) 6-V BATTERY WIRING DIAGRAM

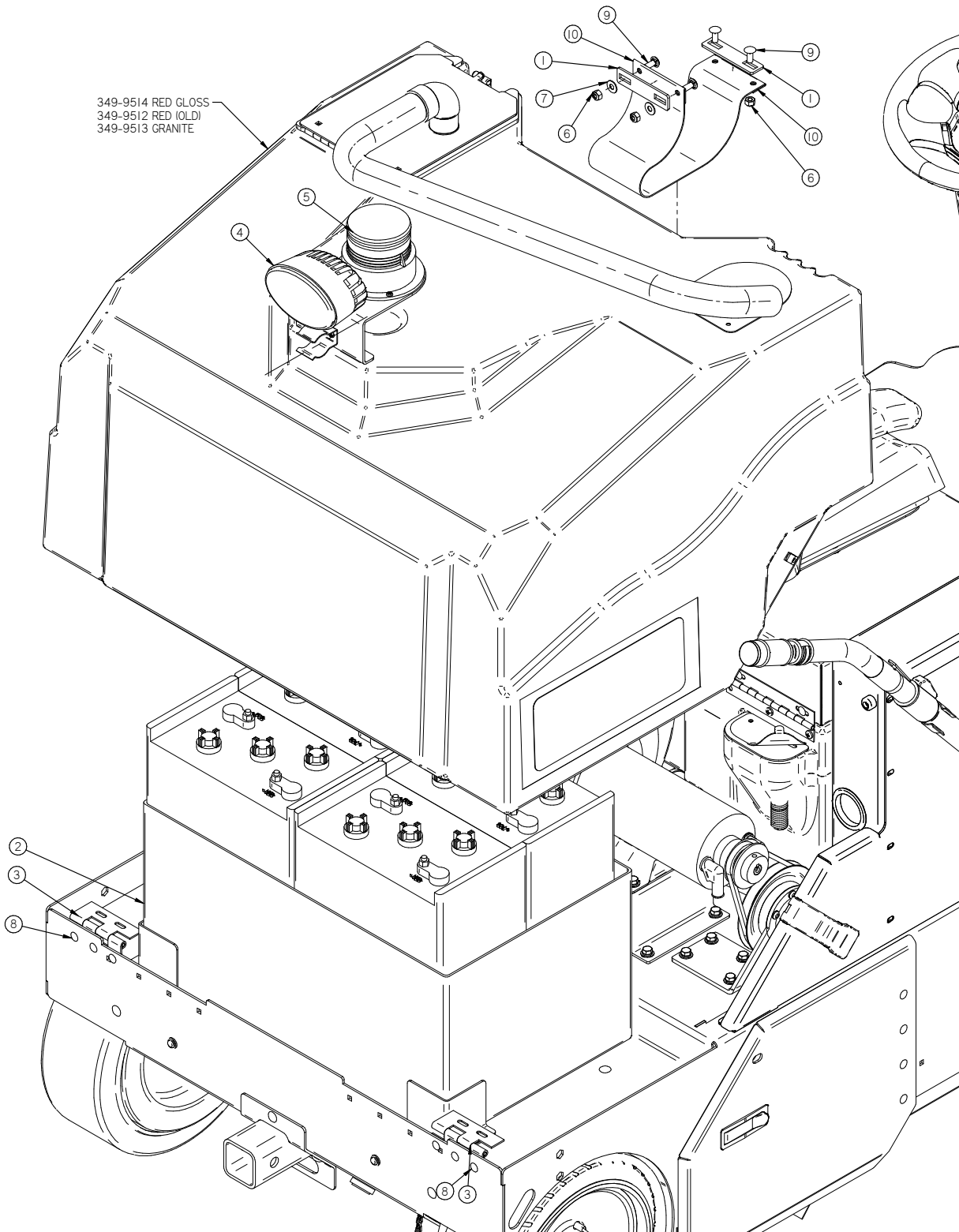
WHICH BATTERY CHARGER TO USE WITH BATTERY SELECTION	
Battery Part Number & Description	On-Board Charger
175-2110 6V, 210AH, WET	175-2460
250-3120 6V, 250AH, AGM	175-2460
370-3120 6V, 312AH, AGM	264-2460
370-2117 6V, 315AH, WET	264-2460
370-3121 6V, 400AH, AGM	264-2460
370-2118 6V, 420AH, WET	264-2460

Note: Japan & Korea are not included for list above.

Rear Hood Vac Box

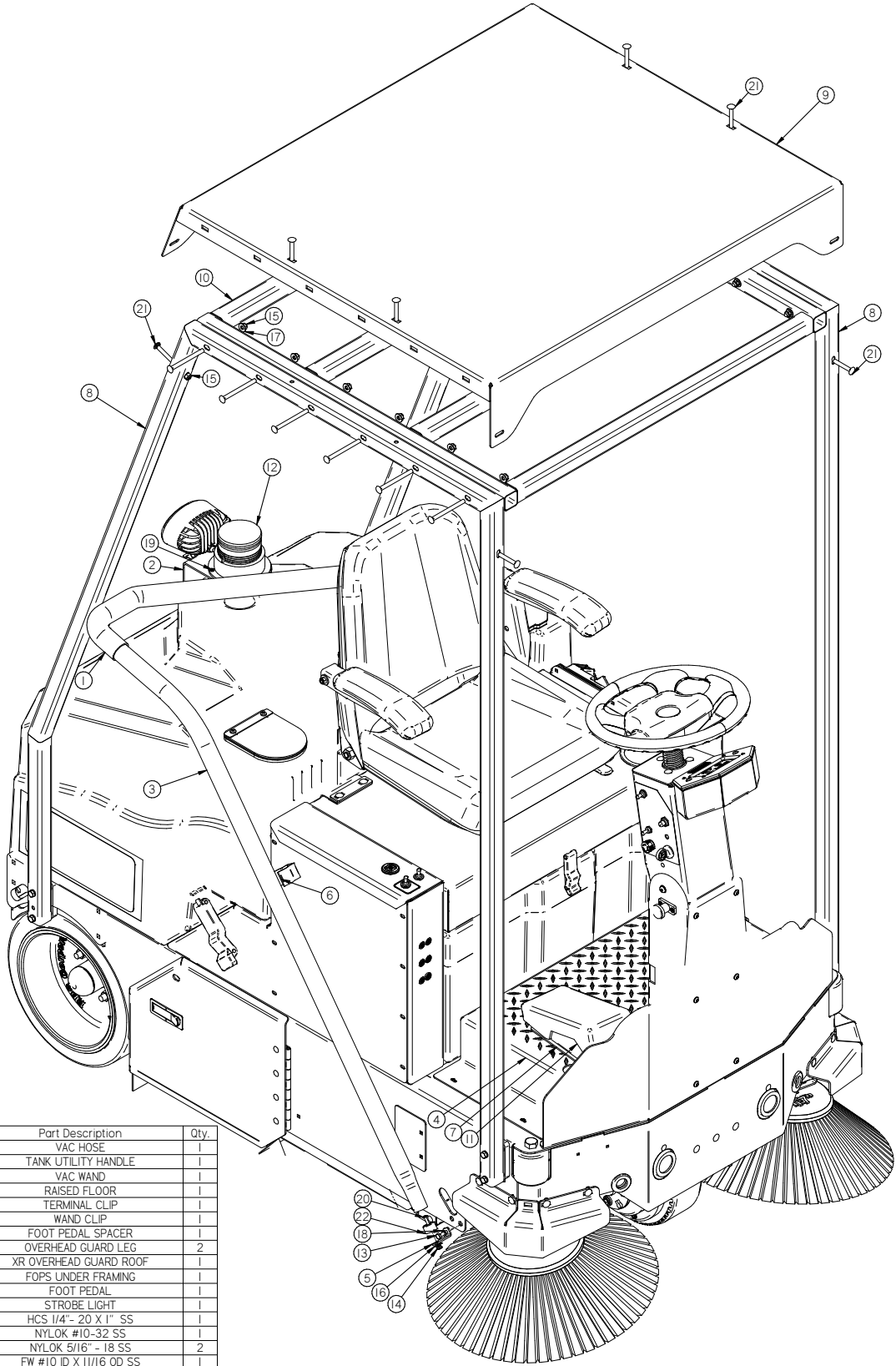


Item	Part No.	Part Description	Qty.
1		VAC MUFFLER	1
2	190-3002	VAC MOTOR GASKET	1
3	253-9024	THUMB SCREW	2
4	255-1102	FILTER BAG	1
5	255-1107	VAC BOX SCREEN	1
6	260-0117	VAC HOSE	1
7	261-5250	24V VAC MOTOR (6-1/2")	2
8	349-0911	FILTER SCREEN	2
9	349-1106	VAC BOX LID	1
10	349-1107	VAC BOX COVER	1
11	349-1123	BYPASS CURTIAN	3
12	349-1126	FAN INTAKE SEAL	1
13	349-1174	BYPASS CURTIAN BAND	1
14	349-1223	FILTER RETAINER	2
15	349-3007	MODEL # DECAL	1
16	349-5021	FILTER SOCK	2
17	349-7179	TANK UTILITY HANDLE	1
18	349-7390	VAC INLET GASKET	1
19	349-7391	VAC INLET GASKET	1
20	4-124	LATCH	1
21	5-886	WAND CLIP	1
22	600-1240	600-1240 clip.psm	2
23	650-2600	SPACER, 2-1/8" LG	3
24	650-2910	BLUE WARNING LIGHT	1
25	8-180	HINGE, 6-7/8" S/S	1
26	8-293	STROBE LIGHT	1
27	H-37708	1/4-20 LC ACORN NUT	3
28	H-70003	HCS 1/4"-20 X 3/4" SS	2
29	H-70015	HCS 1/4"-20 X 3.0" SS	3
30	H-70858	NYLOK #10-32 SS	5
31	H-70925	KN 1/4-20 S/S	3
32	H-71013	FW 1/4 ID X 5/8 OD SS	3
33	H-71063	LW 1/4" SS	5
34	H-71893	1/4 X 3/4 SELF TAPPING SCREW	4
35	H-72517	PPH #10-32 X 5/8" SS	3
36	H-72534	PPH #10-32 X 3/4" S/S	4
37	H-73754	BHSCS 1/4 - 20 X 3/4" SS	3
38	M-90130A029	.25" NEOPRENE WASHER	3



Item	Part No.	Part Description	Qty.
1	253-1040	TANK STRAP SUPPORT	2
2	253-1480	MAGNUM SERIES BATTERY TRAY	1
3	600-1220	4" SS HINGE	2
4	650-2910	BLUE WARNING LIGHT	1
5	8-293	STROBE LIGHT	1
6	H-70861	NYLOK 5/16" - 18 SS	3
7	H-71015	FW 5/16 ID X 3/4 OD SS	5
8	H-74418	CB 1/4" - 20 X 5/8" S/S	6
9	H-74429	CB 5/16" - 18 X 3/4" SS	6
10	T-39072653900	HOOD STRAP, 39' LG X 4" WIDE	1

Over head Guard and Options



Item	Part No.	Part Description	Qty.
1	260-0117	VAC HOSE	1
2	349-7179	TANK UTILITY HANDLE	1
3	349-8870	VAC WAND	1
4	370-1611	RAISED FLOOR	1
5	4-210	TERMINAL CLIP	1
6	5-886	WAND CLIP	1
7	700-0290	FOOT PEDAL SPACER	1
8	700-1700	OVERHEAD GUARD LEG	2
9	700-1701	XR OVERHEAD GUARD ROOF	1
10	700-1702	FOPS UNDER FRAMING	1
11	8-290	FOOT PEDAL	1
12	8-293	STROBE LIGHT	1
13	H-70005	HCS 1/4" - 20 X 1" SS	1
14	H-70858	NYLOK #10-32 SS	1
15	H-70861	NYLOK 5/16" - 18 SS	2
16	H-71010	FW #10 ID X 1 1/16 OD SS	1
17	H-71015	FW 5/16 ID X 3/4 OD SS	1
18	H-71063	LW 1/4" SS	1
19	H-72517	PPH #10-32 X 5/8" SS	1
20	H-72534	PPH #10-32 X 3/4" S/S	1
21	H-74433	CB 5/16" - 18 X 2" SS	3
22	H-9540	RUBBER BUMPER 25/32"	1

CYLINDRICAL BROOMS:

BROOM TYPE	PART #S
Poly	3211-401
Nylon	3211-401N
Carpet Broom	3211-401NN
Poly & Steel	3211-401S
Union	3211-401U
Union & Steel	3211-401US

SIDE BROOMS:

SIDE BROOM TYPE	PART#S
Poly	370-402
Poly & Steel	370-402S

FILTER KITS:

FILTER TYPE	PART#S
Standard Filter Assembly <small>(Includes Tape Seal Kit, Grill, and Filter)</small>	349-5020
Standard Filter Kit <small>(Includes Tape Seal Kit and Filter)</small>	349-5020D
1 Micron Filter	349-5020
0.2 Micron Filter	349-5020F
Nomex Filter	349-5020N
Filter Tape Seal Kit	349-5020K

SEAL KITS:

SEAL KIT	PART#S
Neoprene Seal Set	349-5700
Urethane Seal Set	349-5700U

FACTORYCAT[®]

1711 South Street

Racine, WI 53404

www.factorycat.com

Tel. US: 800-634-4060

Tel. Int: (+001) 262-681-3583