

Read the Operators Manual
before using the machine.



Read the Safety Messages before
servicing machine.

CONTENTS

Front wheel drive 5

Front Bumpers 7

Front wheel drive assembly 9

20" Disk deck actuator tower 11

20" Disk deck 13

20" Disk deck arms 15

20" Disk deck shrouds 17

26" Disk deck actuator tower 19

26" Disk deck 21

26" Disk deck 23

26" Disk deck shrouds 25

Disk brush options 27

Edge deck actuator tower 29

Orbital deck. 31

Orbital deck arms 33

Orbital deck shrouds. 35

Squeegee linkage 37

Rear axle & linkage assembly 39

Rear charger bracket assembly 41

Steering upright 43

Top steering upright. 45

Membrane dash board. 47

Touch screen dash 49

Front tank assembly 51

Steering shaft assembly 53

Central command pannel 55

Touch screen central command 57

V3B Recovery tank assembly 59

V3B Tank utility bracket 61

Recovery tank assembly 63

Vac box 65

Tank utility bracket 67

Solution tank assembly 69

Squeegee 71

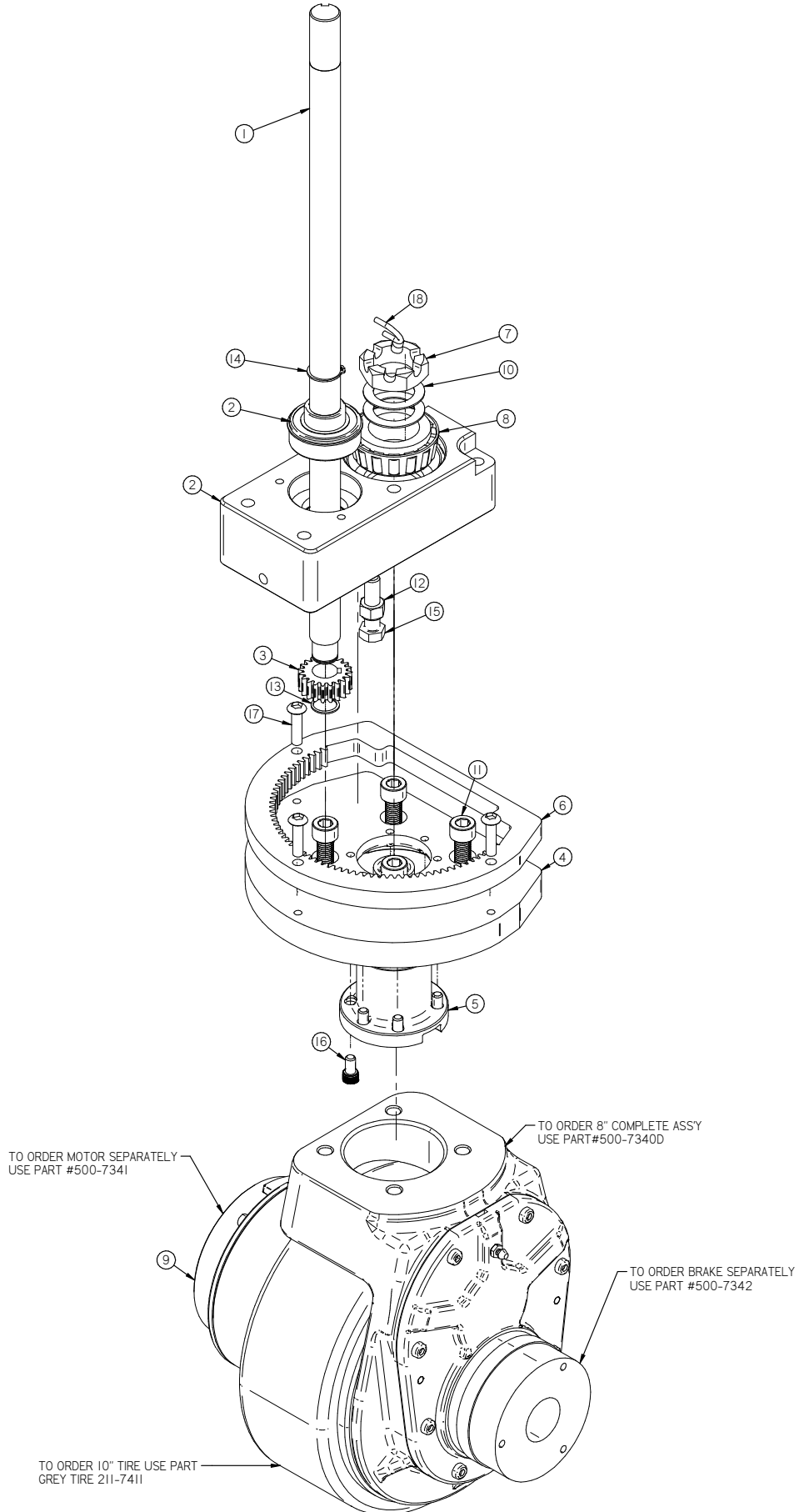
Solution system 73

Solution system + Spray jet 75

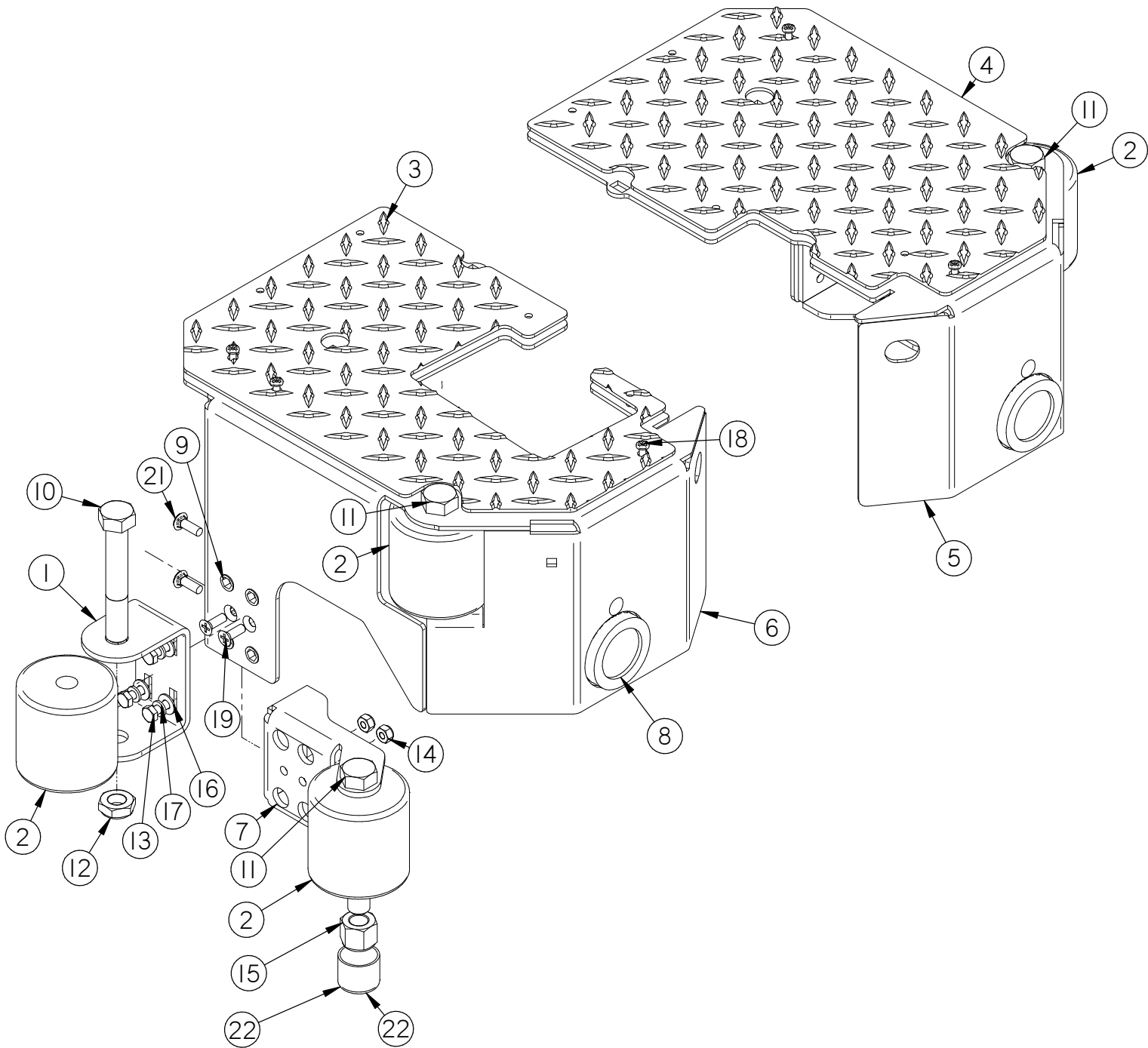
Solution system + Disinfectant routing 77

Battery and charger options 78

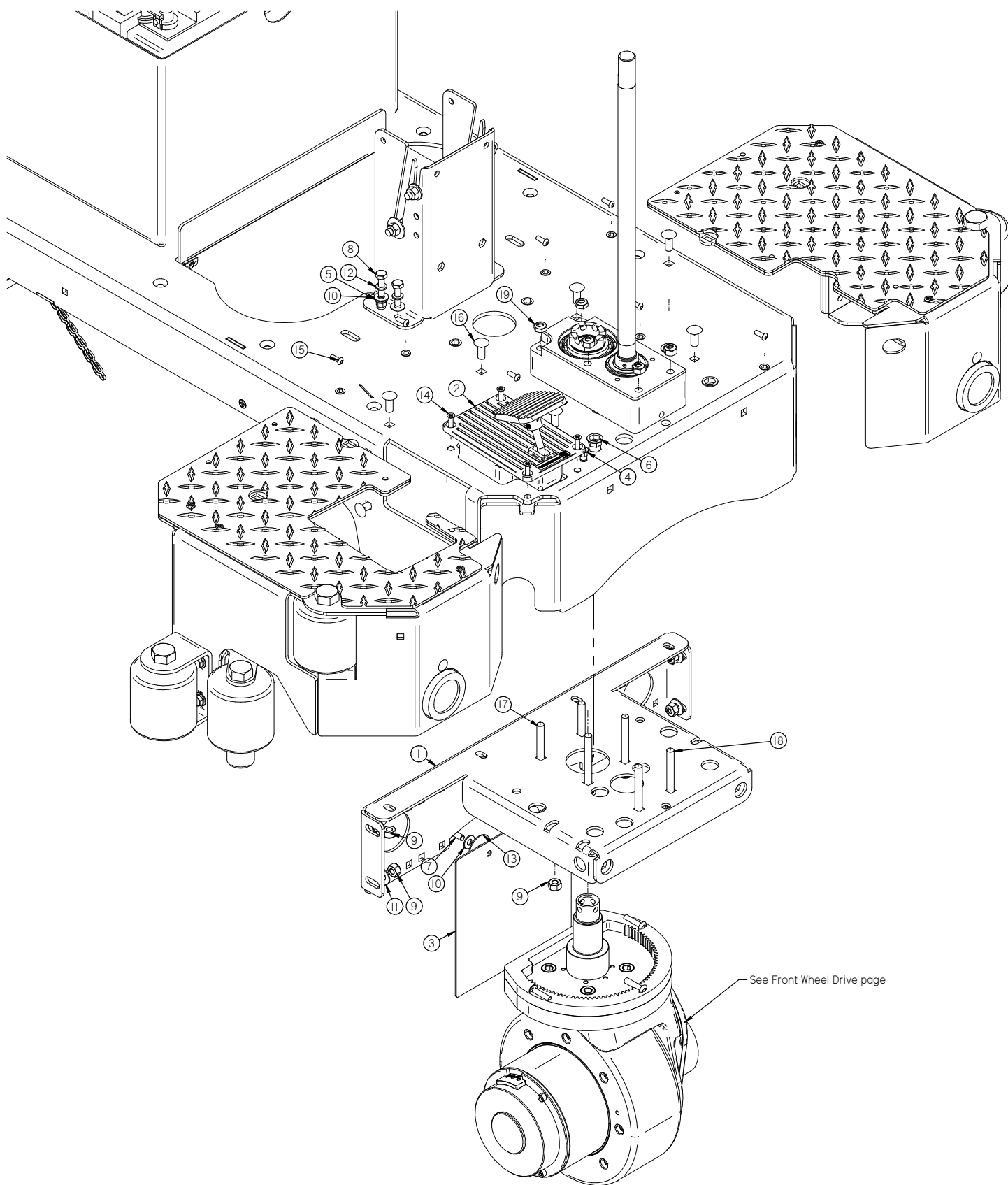
Schematic. 79



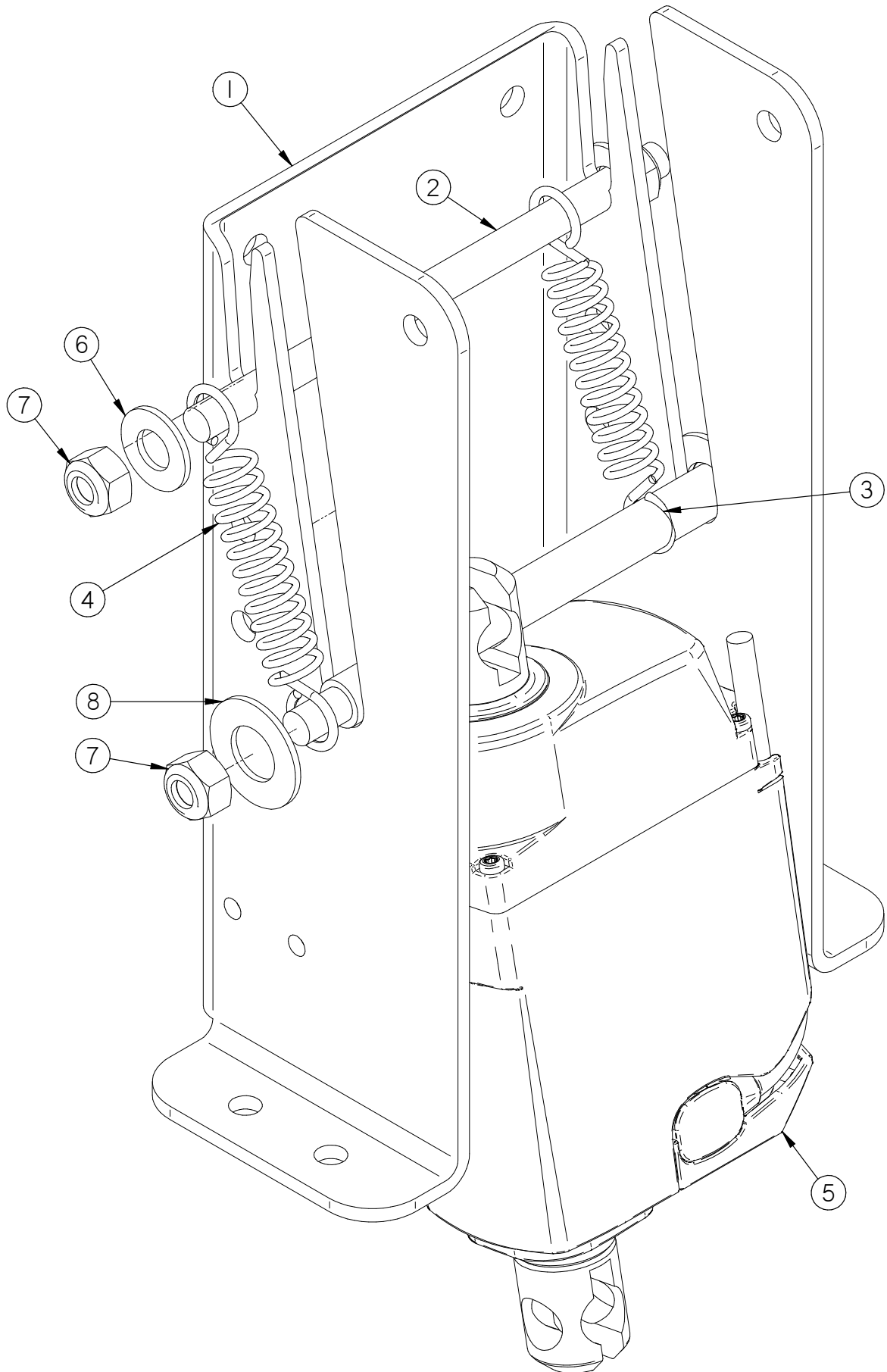
Item	Part No.	Part Description	Qty.
1	211-7121	STEERING SHAFT, LOWER	1
2	211-7230A	BEARING BLOCK ASSEMBLY	1
3	211-7409	STEERING SHAFT GEAR	1
4	211-7410	Drive Plate	1
5	211-7412	Steering Spindle	1
6	211-7451	Steering Ring Gear	1
7	37-7321	SLOTTED NUT, 2.0 - 12	1
8	370-7317	TAPERED ROLLER BEARING	1
9	500-7340	Drive, Front Wheel, 8, 36v	1
10	8-713	1 1/2" THRUST WASHER	2
11	H-0135952	SHCS 10mm X 25mm ZINC	4
12	H-37025	NYLOK 3/8"-16 ZINC	2
13	H-68013	SNAPRING	1
14	H-68015	Snapring For .75 OD Shaft	1
15	H-70109	HCS 3/8"- 16 X 1-1/2" SS	1
16	H-73459	SHCS .25-20 x .5 SS	6
17	H-73755	BHSCS 1/4 - 20 X 1" SS	1
18	M-938IT24	S-HOOK	1



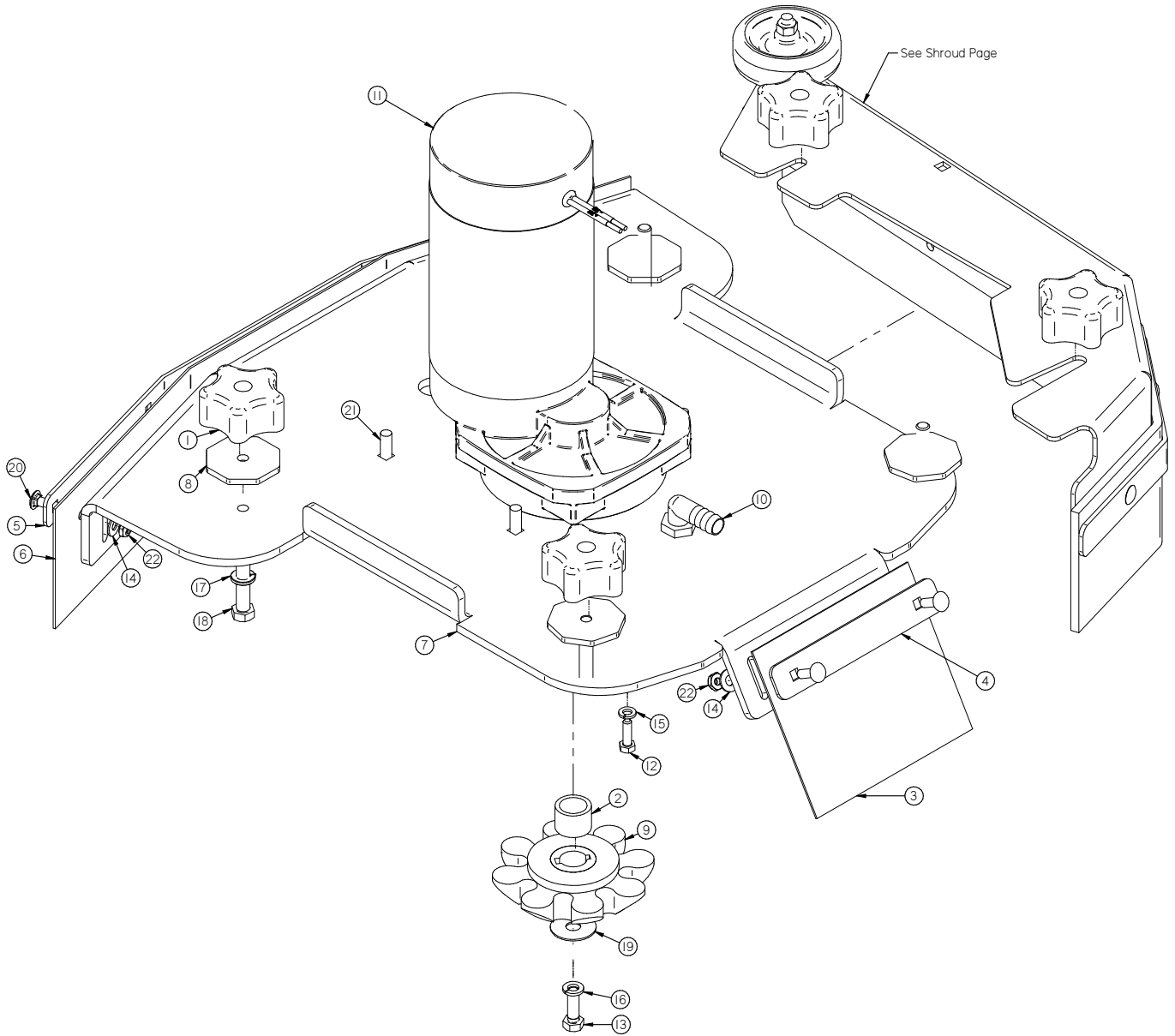
Item	Part No.	Part Description	Qty.
1	2I-1126	ROLLER BRACKET	2
2	2I-1127	ROLLER	6
3	2II-1920	RIGHT SIDE SKID PLATE	1
4	2II-1923	LEFT SIDE SKID PLATE	1
5	2II-9209	Left Side Front Bumper	1
6	2II-9212	Right Side Front Bumper	1
7	500-1028	LOWER ROLLER BRACKET	2
8	500-2910	HEAD LIGHT	2
9	H-00918	HCN 1/4"-20 LG	13
10	H-11319	HB 5/8"- 11 X 4"	2
11	H-11321	HB 5/8"- 11 X 4 1/2"	4
12	H-37038	JNYL 5/8"- 11	2
13	H-70003	HCS 1/4"-20 X 3/4" SS	8
14	H-70860	NYLOK 1/4"- 20 SS	6
15	H-70866	NYL 5/8"- 11	2
16	H-71013	FW 1/4 ID X 5/8 OD SS	8
17	H-71063	LW 1/4" SS	8
18	H-72534	PPH #10-32 X 3/4" S/S	5
19	H-72708	FHP 1/4"- 20 X 3/4"	4
20*	H-74417	CB 1/4"- 20 X .5" SS	2
21	H-74419	CB 1/4"- 20 X .75" SS	2
22	M-6448K8I	15/16" HEX CAP	2



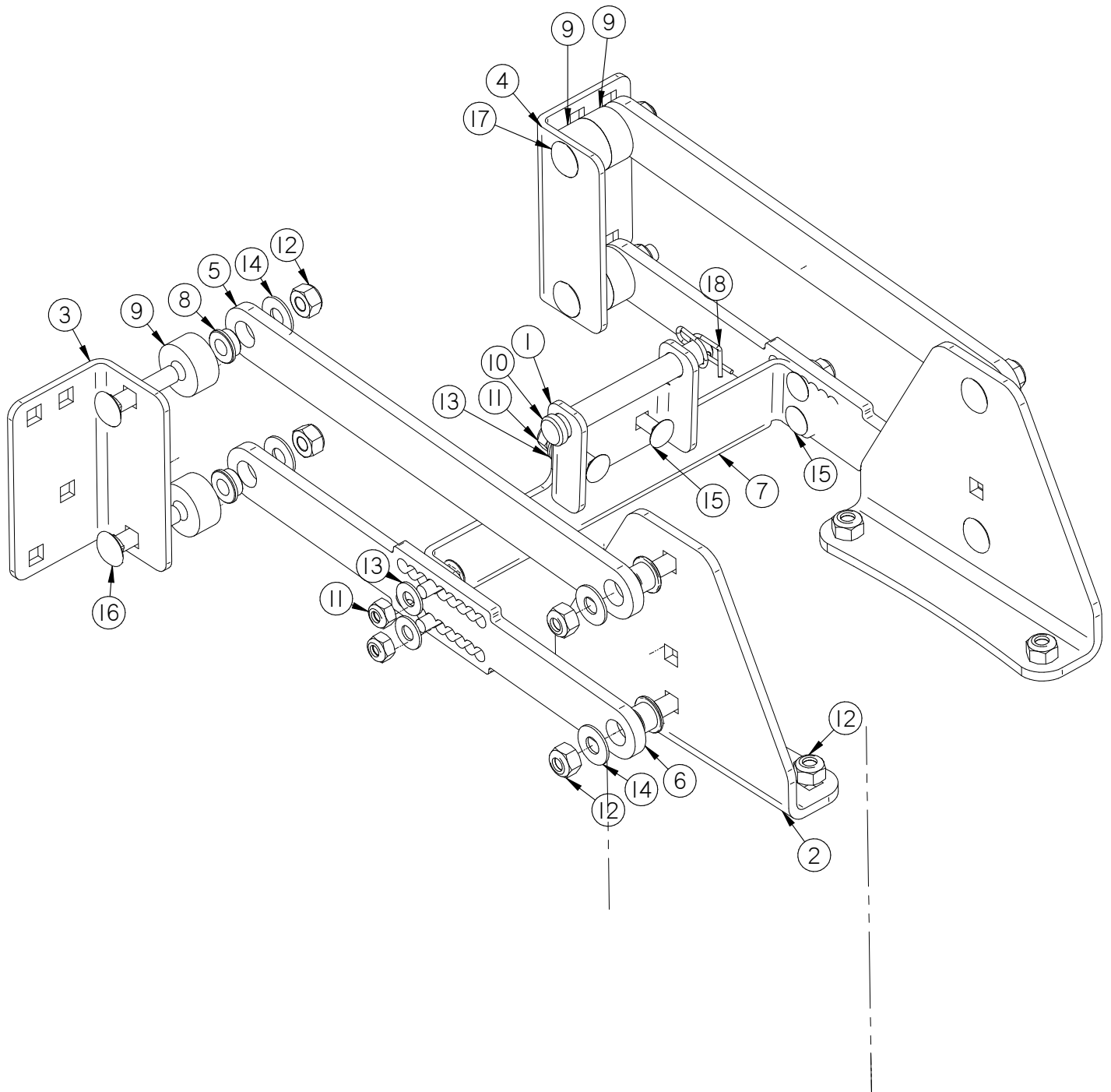
Item	Part No.	Part Description	Qty.
1	211-7420	Steering Support Bottom Plate	1
2	211-7431	Foot Pedal 36v	1
3	211-9120	FWD MUD FLAP	1
4	H-1032HCN	HCN #10-32	8
5	H-250HCN	HCN 1/4"-20	6
6	H-312HCN	HCN 5/16"-18	4
7	H-70002	HCS 1/4"-20 X 5/8" SS	1
8	H-70005	HCS 1/4"- 20 X 1" SS	4
9	H-70861	NYLOK 5/16" - 18 SS	14
10	H-71013	FW 1/4 ID X 5/8 OD SS	10
11	H-71015	FW 5/16 ID X 3/4 OD SS	4
12	H-71063	LW 1/4" SS	4
13	H-71213	FNW 5/16 ID X 1-1/4 OD SS	1
14	H-72684	FHP 10-32 X 3/4" SS	4
15	H-73743	BHSCS 10-32 X 1/2" SS	1
16	H-74429	CB 5/16"- 18 X 3/4" SS	10
17	H-74433	CB 5/16"- 18 X 2" SS	1
18	H-74435	CB 5/16"- 18 X 3.0" SS	4
19	H-NJ05C	JNYL 5/16"- 18 SS	1



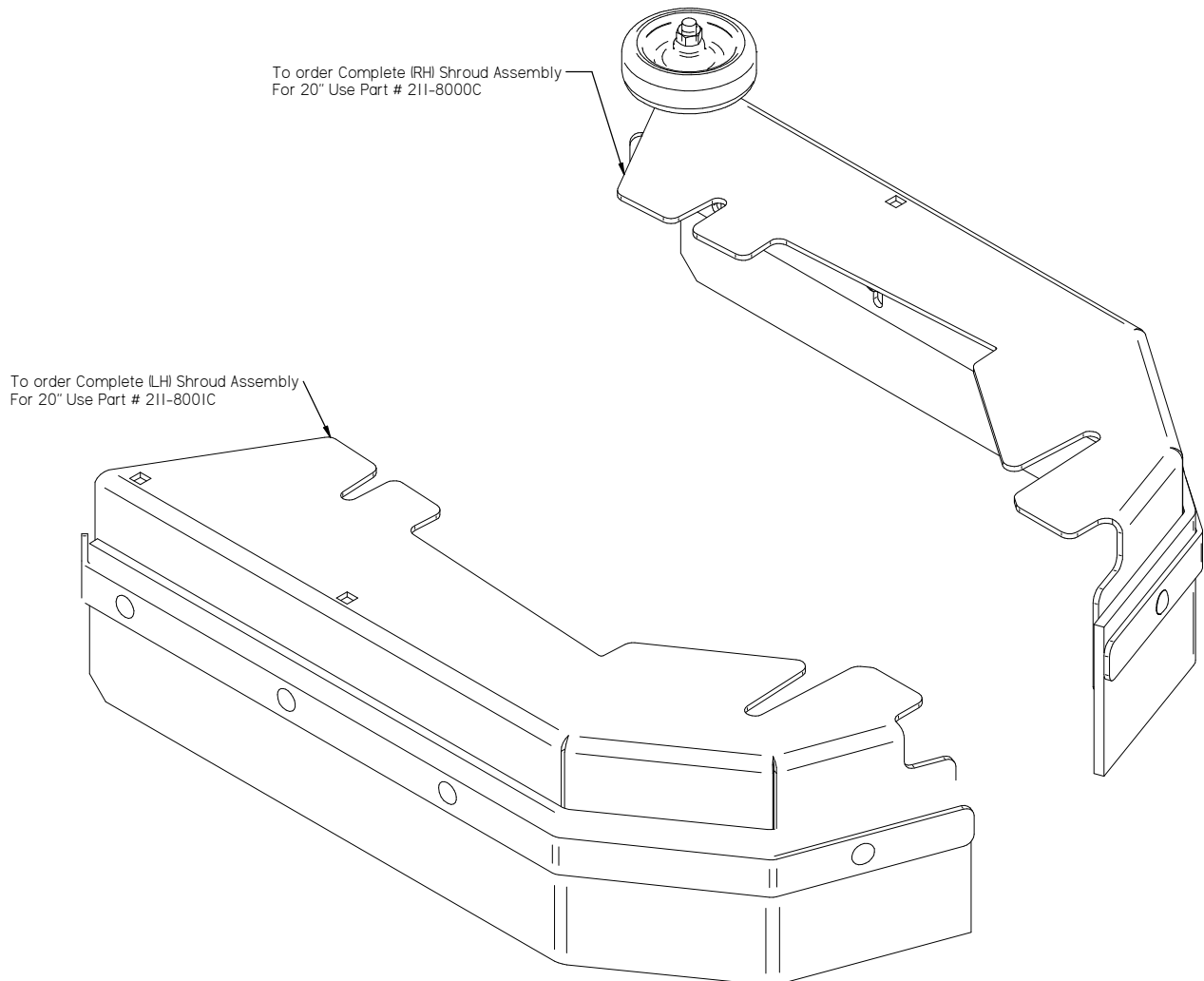
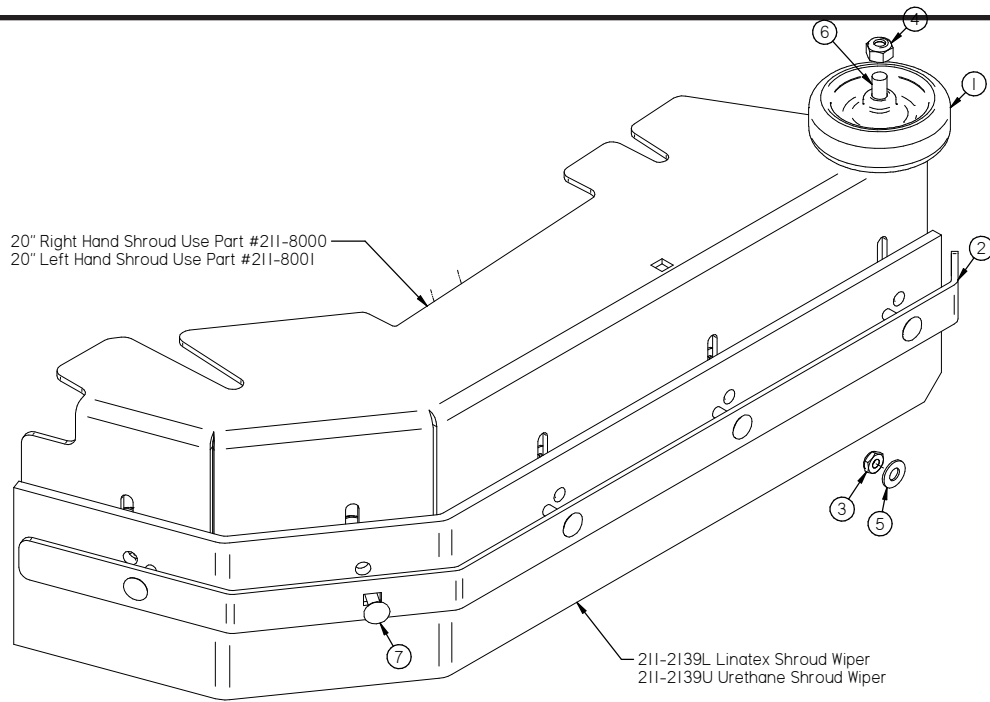
Item	Part No.	Part Description	Qty.
1	211-9702	Actuator Tower	1
2	211-9727	Spring Pin	1
3	211-9728	Actuator Pin	1
4	211-9729	1.75" Long, 0.5" OD, .063 Wire Dia	2
5	650-2240	2.0" STROKE ACTUATOR (36V 900Nm)	1
6	H-4440024	FW 3/8" X 3/4 NYLON	2
7	H-70861	NYLOK 5/16" - 18 SS	4
8	H-76065	FW 1/2" NYLON	2



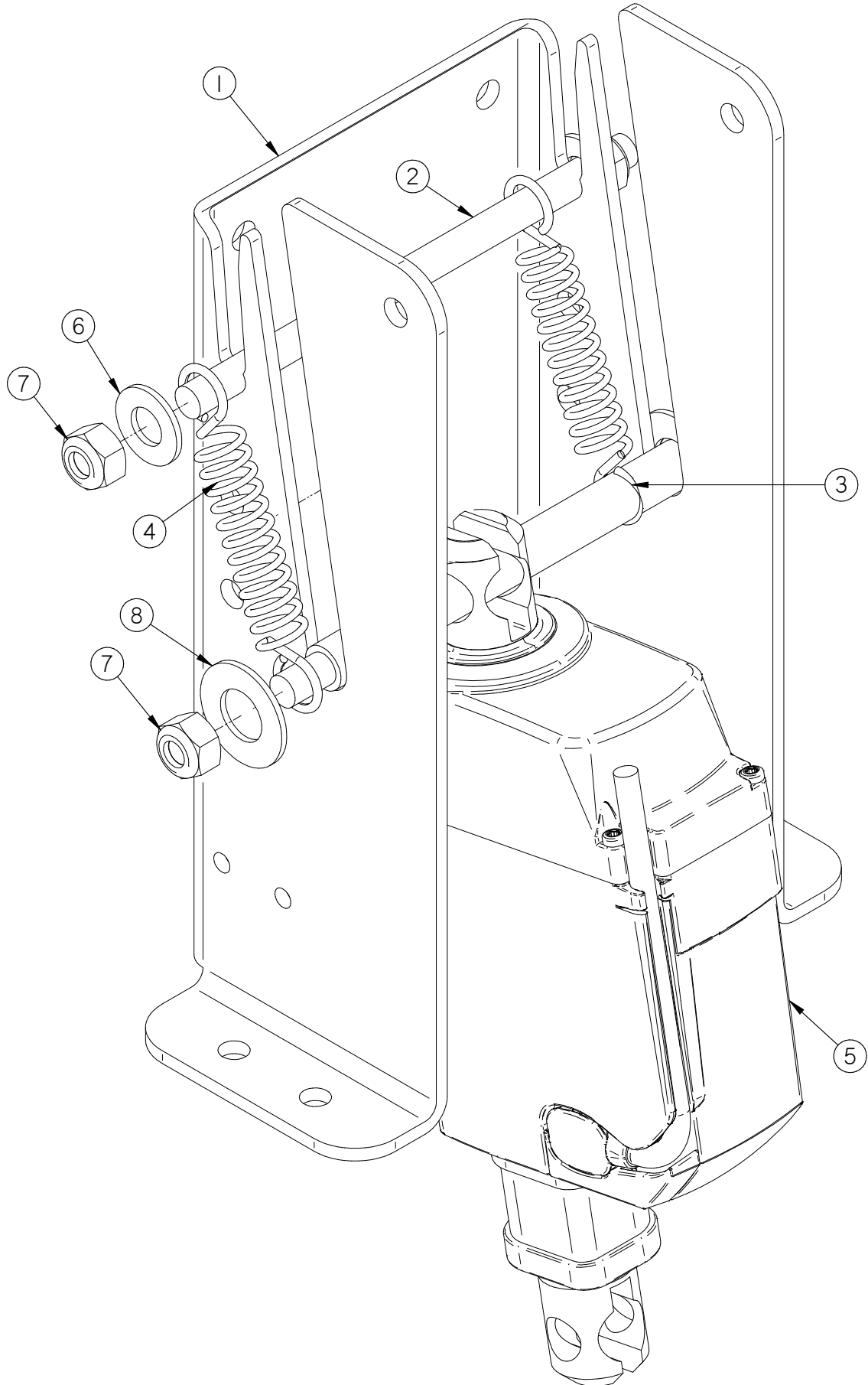
Item	Part No.	Part Description	Qty.
1	150-5786	STAR KNOB, 3/8-16 THREAD	4
2	175-5005	DRIVER SPACER	1
3	211-1078	20" REAR DECK CURTAIN	1
4	211-1081	20 INCH REAR CURTAIN BAND	1
5	211-1125	20" FRONT CURTAIN BAND	1
6	211-1165	20 FRONT DECK CURTAIN	1
7	211-9110	20IN DISK DECK	1
8	250-1184	SHROUD ADJ. KNOB (3/8-16 THREAD)	4
9	264-5003	BRUSH DRIVER 8 LOBE	1
10	5-447	1/2 NPT X 1/2" BARB ELBOW	1
11	600-2222	MOTOR, 36V, 1.0 HP, 270 RPM	1
12	H-38564	M6 METRIC BOLT	1
13	H-70055	HCS 5/16"- 18 X 1" SS	1
14	H-71013	FW 1/4 ID X 5/8 OD SS	13
15	H-71063	LW 1/4" SS	1
16	H-71065	LW 5/16" SS	1
17	H-71067	LW 3/8" SS	4
18	H-71189	HCS 3/8"- 16 X 2.0" SS (FULLY THREADED)	4
19	H-71216	FNW 3/8 ID X 1-1/4 OD SS	1
20	H-74419	CB 1/4"- 20 X .75" SS	13
21	H-74430	CB 5/16"- 18 X 1" SS	8
22	H-NJ04C	JNYL 1/4" - 20 SS	7



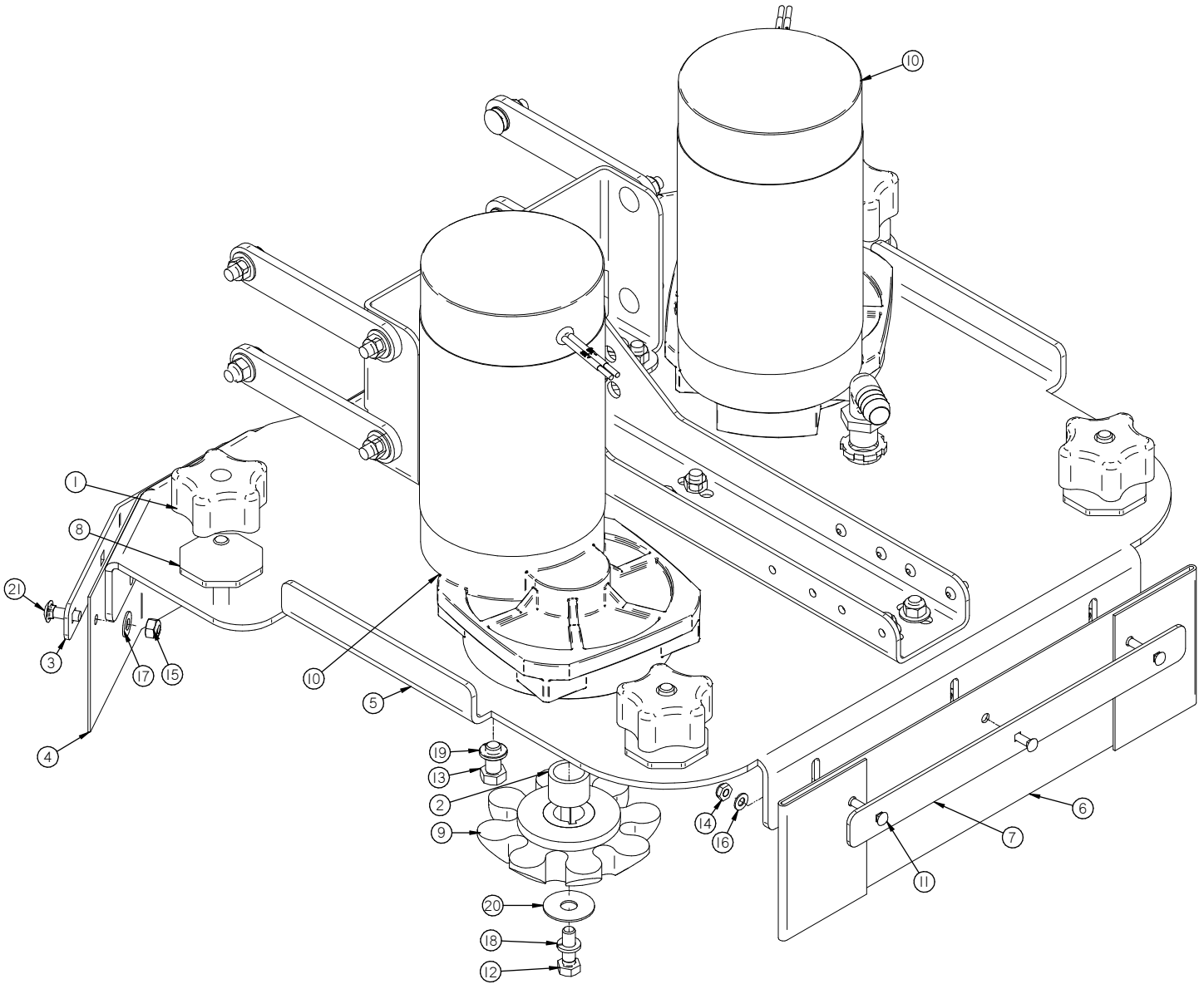
Item	Part No.	Part Description	Qty.
1	211-9088	DECK ACTUATOR MOUNT	1
2	211-9111	20" DISK DECK BRACKETS	2
3	211-9696	CENTER MOUNT DECK BRACKET LEFT	1
4	211-9697	CENTER MOUNT DECK BRACKET RIGHT	1
5	211-9699	TOP LATERAL ARM EDGE DECK	2
6	211-9700	LATERAL ARM	2
7	211-9708	DECK CENTER ARM	1
8	370-1247	BUSHING 5/16 X 1/2 X 3/16	1
9	8-618	SPACER	6
10	H-0156763	7/16" X 3-1/2" CLEVIS PIN	1
11	H-70860	NYLOK 1/4"- 20 SS	6
12	H-70861	NYLOK 5/16" - 18 SS	12
13	H-71013	FW 1/4 ID X 5/8 OD SS	13
14	H-71015	FW 5/16 ID X 3/4 OD SS	8
15	H-74419	CB 1/4"- 20 X .75" SS	13
16	H-74432	CB 5/16"- 18 X 1-1/2" SS	1
17	H-74433	CB 5/16"- 18 X 2" SS	1
18	H-RUE76	rue ring cotter .4375	1



Item	Part No.	Part Description	Qty.
1	I50-760I	3" SIDE WHEEL (GREY)	1
2	211-2140	DISK SHROUD WIPER BAND	1
3	H-37020	JNYL 1/4" - 20	1
4	H-70861	NYLOK 5/16" - 18 SS	1
5	H-71013	FW 1/4 ID X 5/8 OD SS	1
6	H-74401	CB 5/16"- 18 X 1-3/4" SS	1
7	H-74419	CB 1/4"- 20 X .75" SS	5

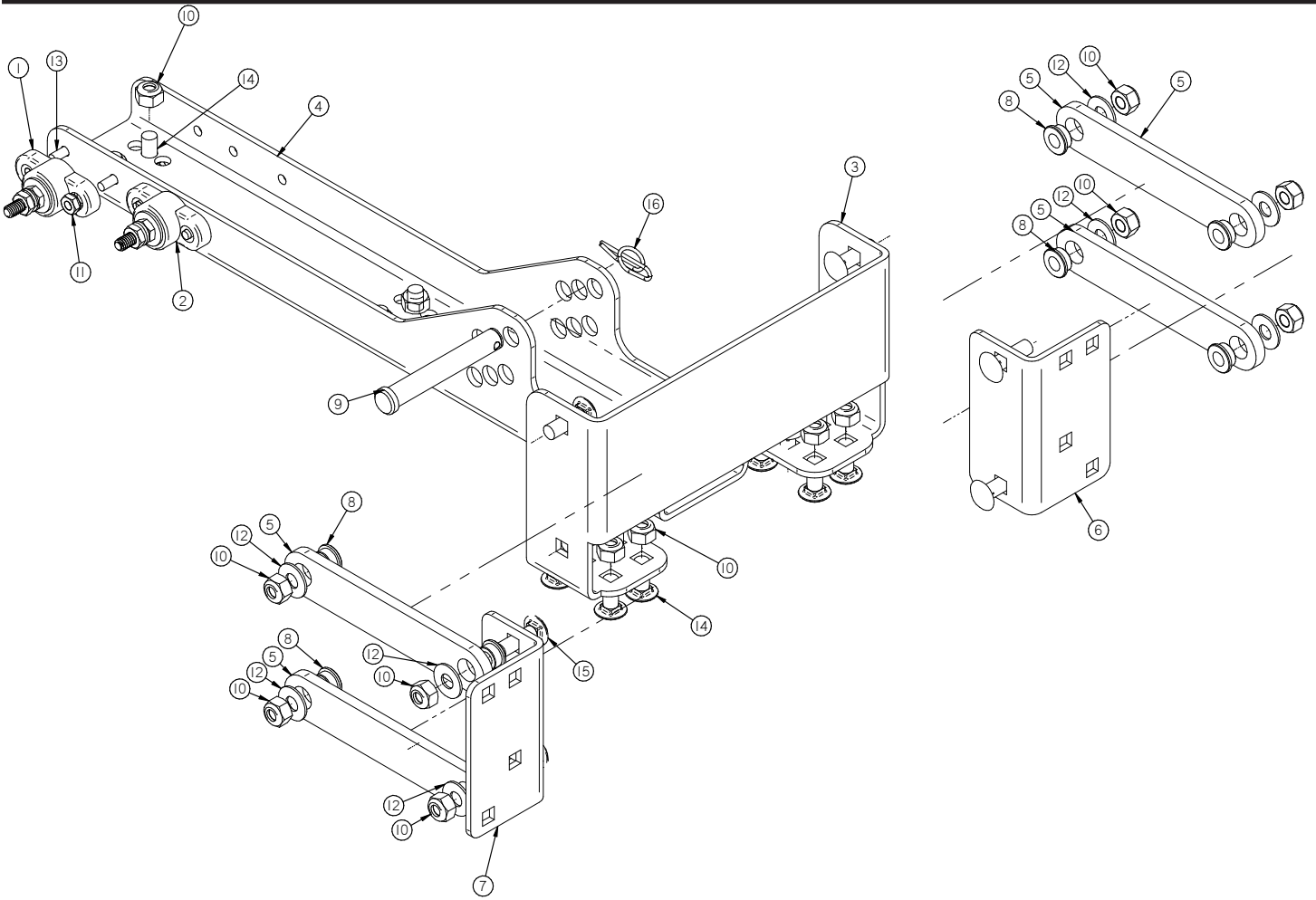


Item	Part No.	Part Description	Qty.
1	211-9702	Actuator Tower	1
2	211-9727	Spring Pin	1
3	211-9728	Actuator Pin	1
4	211-9729	1.75" Long, 0.5" OD, .063 Wire Dia	2
5	600-2240	3 INCH STROKE ACTUATOR (36V)	1
6	H-4440024	FW 3/8" X 3/4 NYLON	2
7	H-70861	NYLOK 5/16" - 18 SS	4
8	H-76065	FW 1/2" NYLON	2



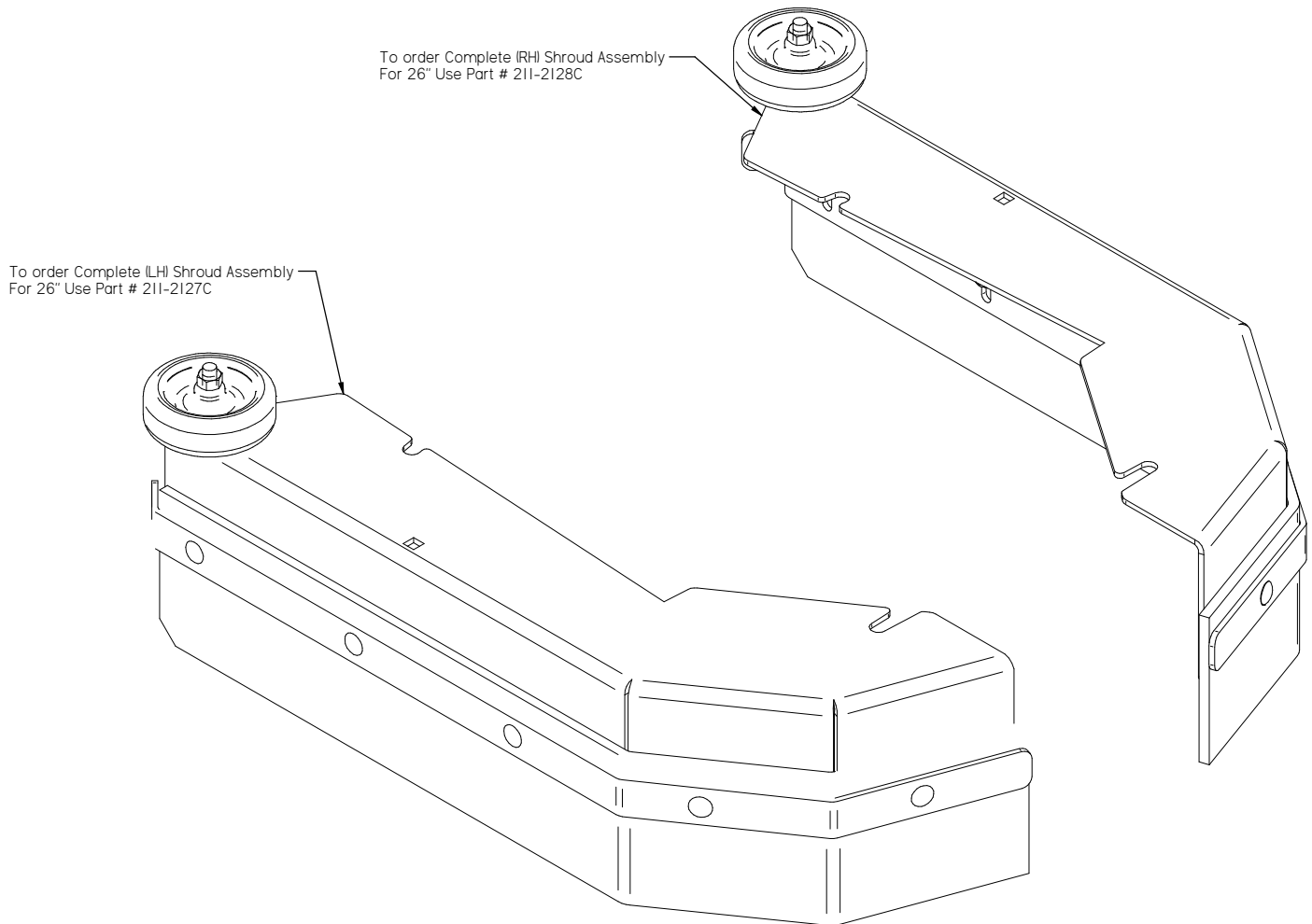
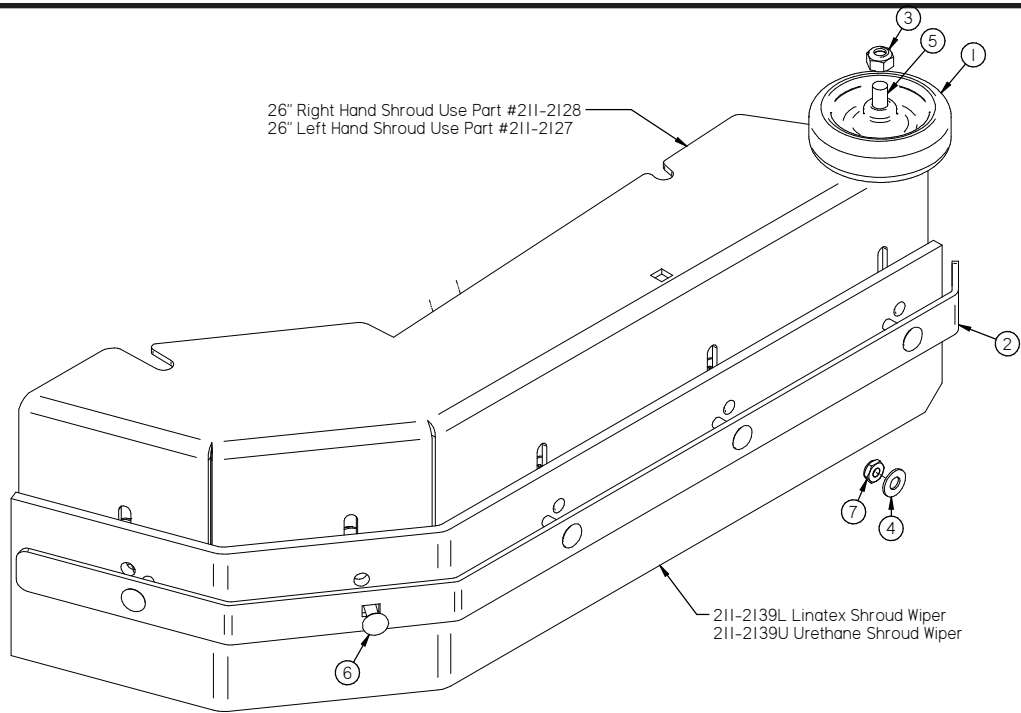
26" Disk deck

Item	Part No.	Part Description	Qty.
1	150-5786	STAR KNOB, 3/8-16 THREAD	4
2	175-5005	DRIVER SPACER	1
3	211-1124	26" FRONT CURTAIN BAND	1
4	211-1164	26 FRONT DECK CURTAIN	1
5	211-9807	26" Center Mount Disk	1
6	250-1078	26/30 REAR DECK CURTAIN	1
7	250-1081	26/30 REAR CURTAIN BAND	1
8	250-1084	SHROUD ADJUSTMENT KNOB	4
9	264-5003	BRUSH DRIVER 8 LOBE	1
10	600-2222	MOTOR, 36V, 1.0 HP, 270 RPM	2
11	H-0172521	CB #10-32 X 1" SS	3
12	H-70055	HCS 5/16"- 18 X 1" SS	1
13	H-70141	HCS 3/8"-24 X 3/4" SS	1
14	H-70858	NYLOK #10-32 SS	3
15	H-70860	NYLOK 1/4"- 20 SS	1
16	H-71009	FW #10 SS	3
17	H-71013	FW 1/4 ID X 5/8 OD SS	1
18	H-71065	LW 5/16" SS	1
19	H-71067	LW 3/8" SS	1
20	H-71216	FNW 3/8 ID X 1-1/4 OD SS	1
21	H-74419	CB 1/4"- 20 X .75" SS	1



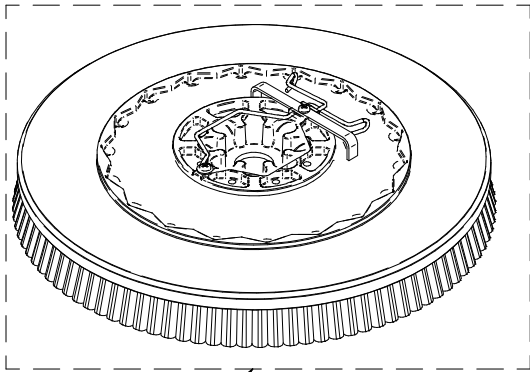
26" Disk deck

Item	Part No.	Part Description	Qty.
1	175-2700	NEG INSULATOR POST (BLACK)	1
2	175-2710	POS INSULATOR POST (RED)	1
3	211-1105	LATERAL ARM MOUNTING BRACKET	1
4	211-1106	26 INCH SPINE	1
5	211-9599	LATERAL ARM 26IN DISK CENTER	4
6	211-9696	CENTER MOUNT DECK BRACKET LEFT	1
7	211-9697	CENTER MOUNT DECK BRACKET RIGHT	1
8	370-1247	BUSHING 5/16 X 1/2 X 3/16	7
9	H-0156763	7/16" X 3-1/2" CLEVIS PIN	1
10	H-70861	NYLOK 5/16" - 18 SS	26
11	H-70923	KN #10-32 SS	4
12	H-71015	FW 5/16 ID X 3/4 OD SS	9
13	H-73743	BHSCS 10-32 X 1/2" SS	4
14	H-74429	CB 5/16"- 18 X 3/4" SS	18
15	H-74430	CB 5/16"- 18 X 1" SS	8
16	H-RUE76	roe ring cotter .4375	1



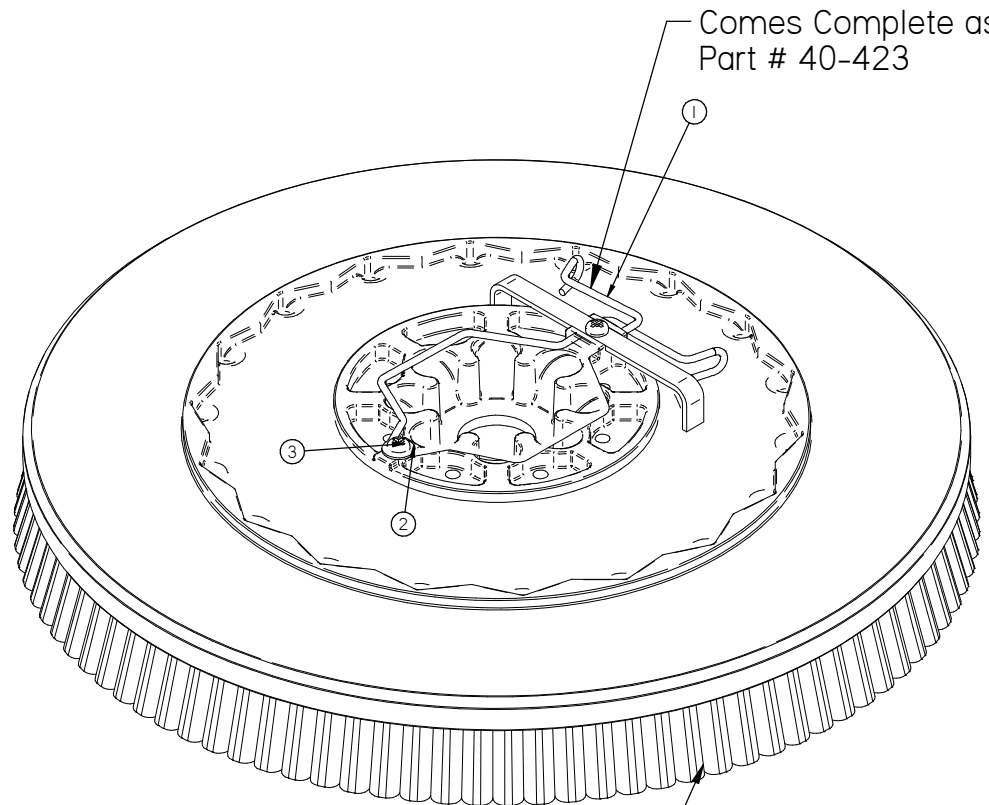
26" Disk deck shrouds

Item	Part No.	Part Description	Qty.
1	150-7601	3" SIDE WHEEL (GREY)	1
2	211-2140	DISK SHROUD WIPER BAND	1
3	H-70861	NYLOK 5/16" - 18 SS	1
4	H-71013	FW 1/4 ID X 5/8 OD SS	5
5	H-74401	CB 5/16"- 18 X 1-3/4" SS	1
6	H-74419	CB 1/4"- 20 X .75" SS	5
7	H-NJ04C	JNYL 1/4" - 20 SS	5



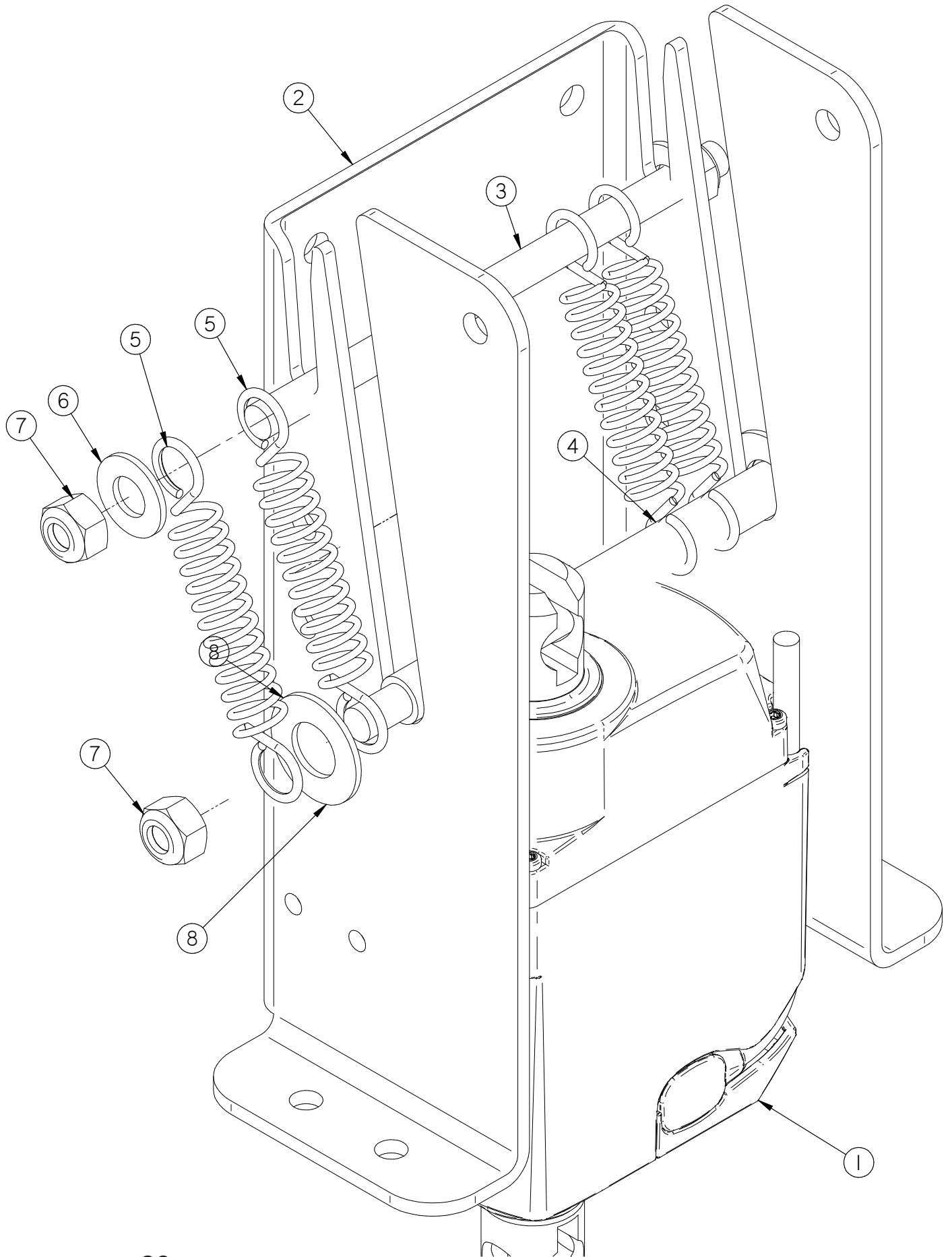
To order complete brush refer to the brush chart for part numbers

Brush Chart		
Size	Brush type	Part Number
20	Midi-Grit	20-382C
20	Nylon Brush	20-382N
20	Poly Brush	20-382P
20	Light Grit Brush	20-382PS
20	tough-Grit Brush	20-382S
20	Tampico Brush	20-382T
20	Pad driver	20-382d
13	Midi-Grit	13-382C
13	Nylon Brush	13-382N
13	Poly Brush	13-382P
13	Light Grit Brush	13-382PS
13	tough-Grit Brush	13-382S
13	Tampico Brush	13-382T
13	Pad diver	13-382D

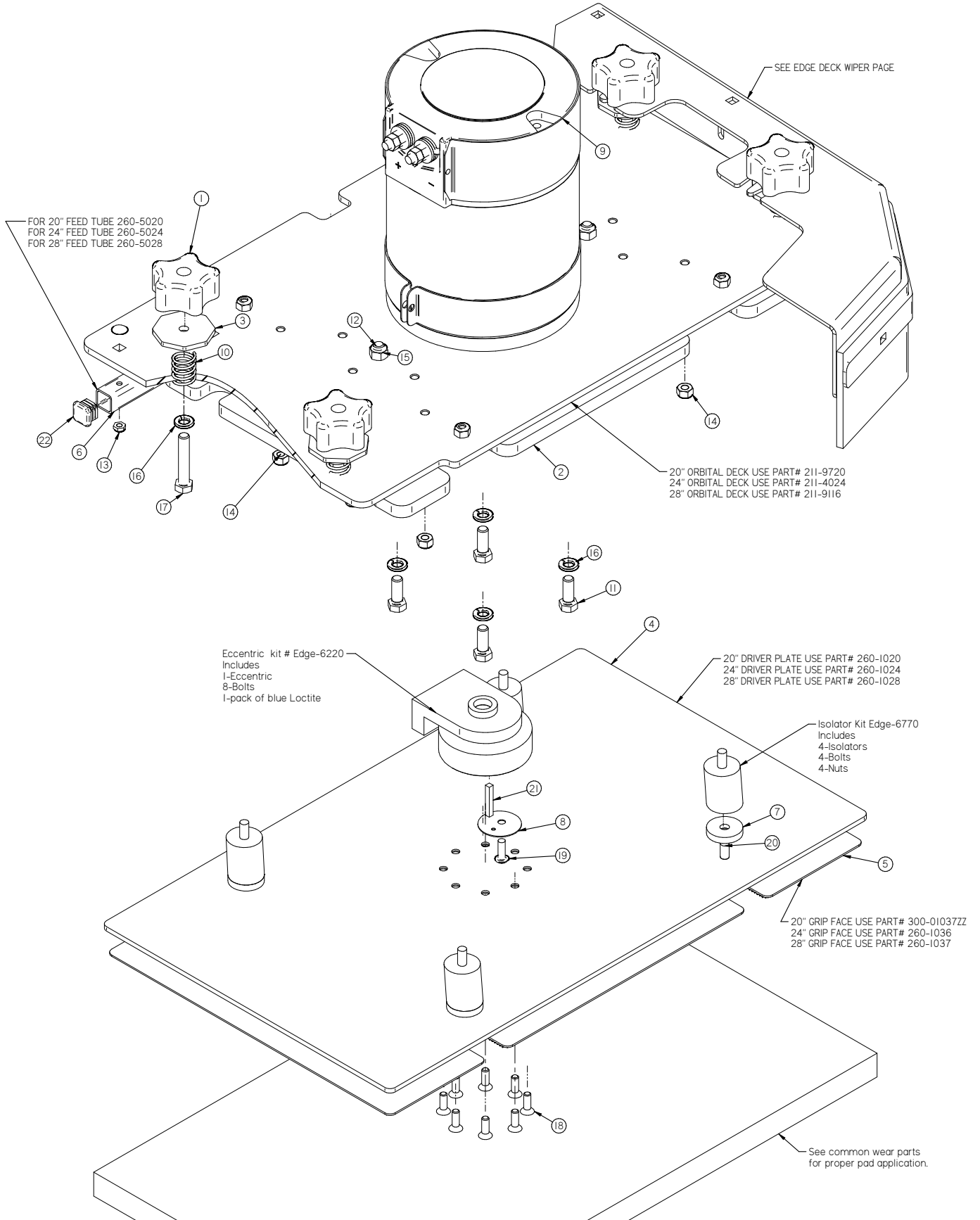


Refer to brush chart for differnt brush options

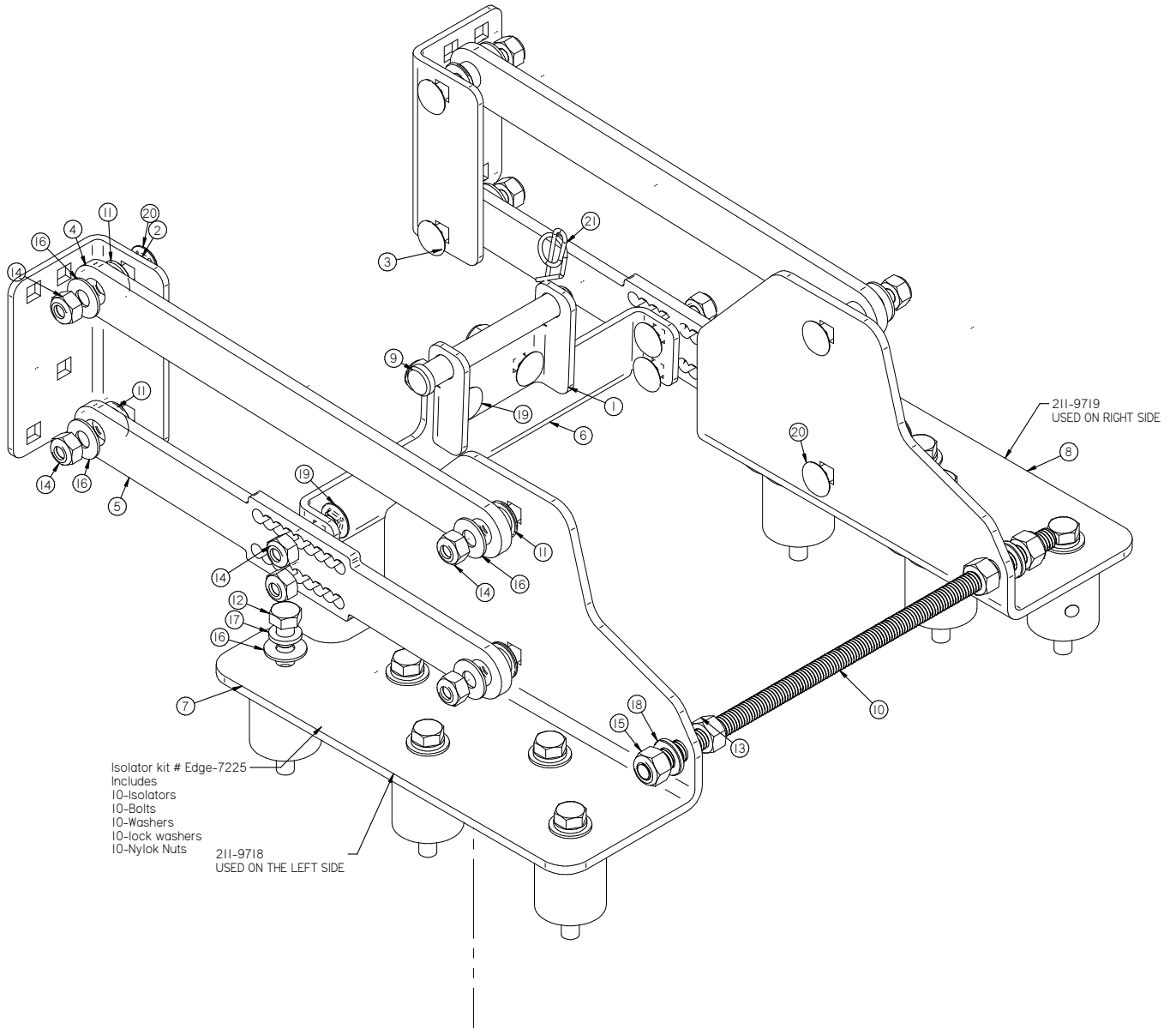
Item	Part No.	Part Description	Qty.
1	15-382-02	BRUSH CLIP	1
2	H-71014	FW 1/4 ID X 11/16 OD SS	1
3	H-72597	PPH 1/4-20 X 1-1/2" SS	2



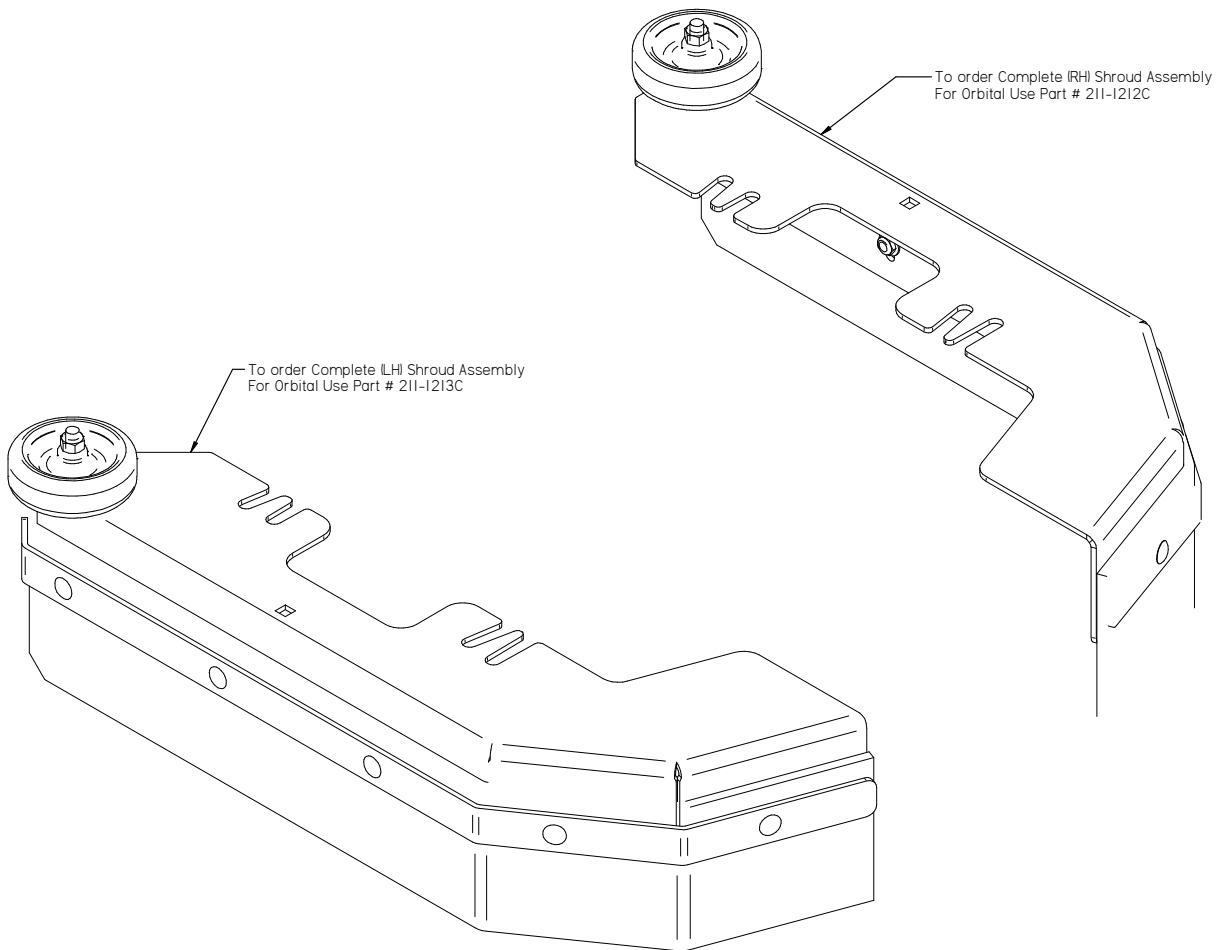
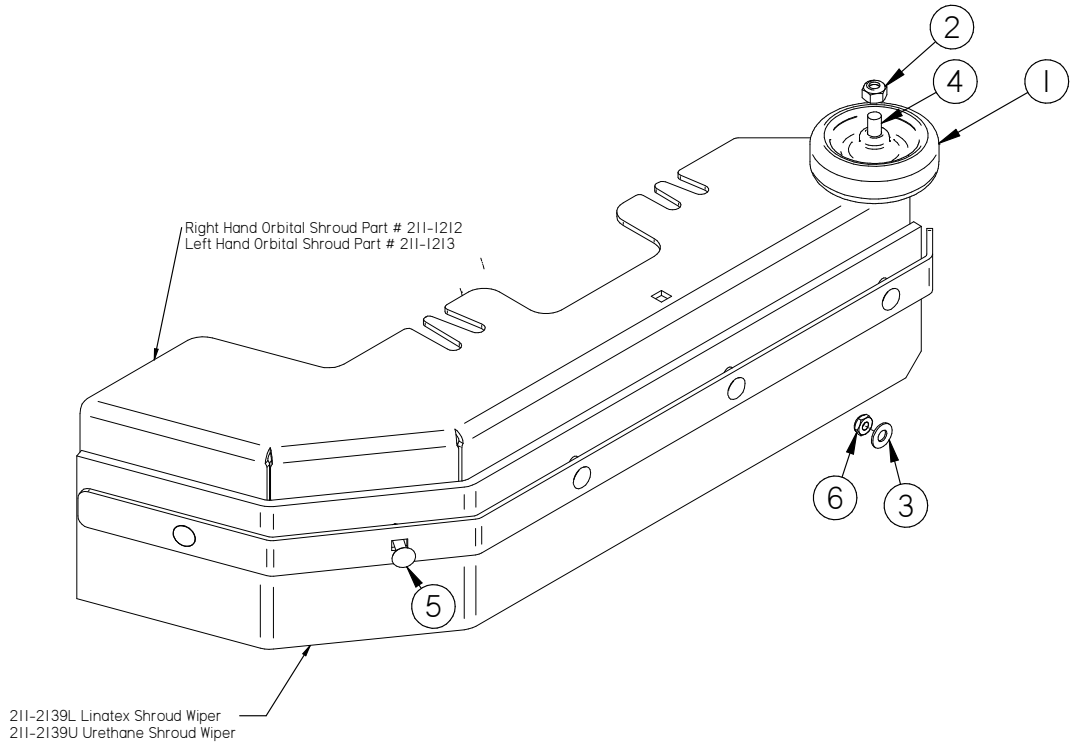
Item	Part No.	Part Description	Qty.
1	211-2240	2.0" STROKE ACTUATOR (36V 1200Nm)	1
2	211-9702	Actuator Tower	1
3	211-9727	Spring Pin	1
4	211-9728	Actuator Pin	1
5	211-9729	1.75" Long, 0.5" OD, .063 Wire Dia	4
6	H-4440024	FW 3/8" X 3/4 NYLON	2
7	H-70861	NYLOK 5/16" - 18 SS	4
8	H-76065	FW 1/2" NYLON	2



Item	Part No.	Part Description	Qty.
1	150-5786	STAR KNOB, 3/8-16 THREAD	4
2	211-9691	26 LB LOWER WEIGHT	1
3	250-1084	SHROUD ADJUSTMENT KNOB	4
4	260-1024	24 INCH ALUMINUM PAD DRIVER	1
5	260-1036	24" GRIP FACE	1
6	260-5024	SOLUTION FEED TUBE (24")	1
7	264-1033	1/4" SPACER	4
8	300-01030Z	CRUSH WASHER	1
9	300-2600	36V,IHP,2700 RPM	1
10	4-386	LIFT LEVER SPRING	1
11	H-70105	HCS 3/8"- 16 X 1" SS	4
12	H-70107	HCS 3/8"- 16 X 1-1/4" SS	2
13	H-70858	NYLOK #10-32 SS	1
14	H-70861	NYLOK 5/16" - 18 SS	28
15	H-70862	NYLOK 3/8"-16 SS	2
16	H-71067	LW 3/8" SS	8
17	H-71189	HCS 3/8"- 16 X 2.0" SS (FULLY THREADED)	4
18	H-72708	FHP 1/4"- 20 X 3/4"	8
19	H-73754	BHSCS 1/4 - 20 X 3/4" SS	1
20	H-73907	FHSCS 5/16"- 18 X 3/4" SS	4
21	H-K14320	3/16" X 1 1/4" KEY	1
22	M-9565K5	3/4 X 3/4 SQ TUBE PLUG	2

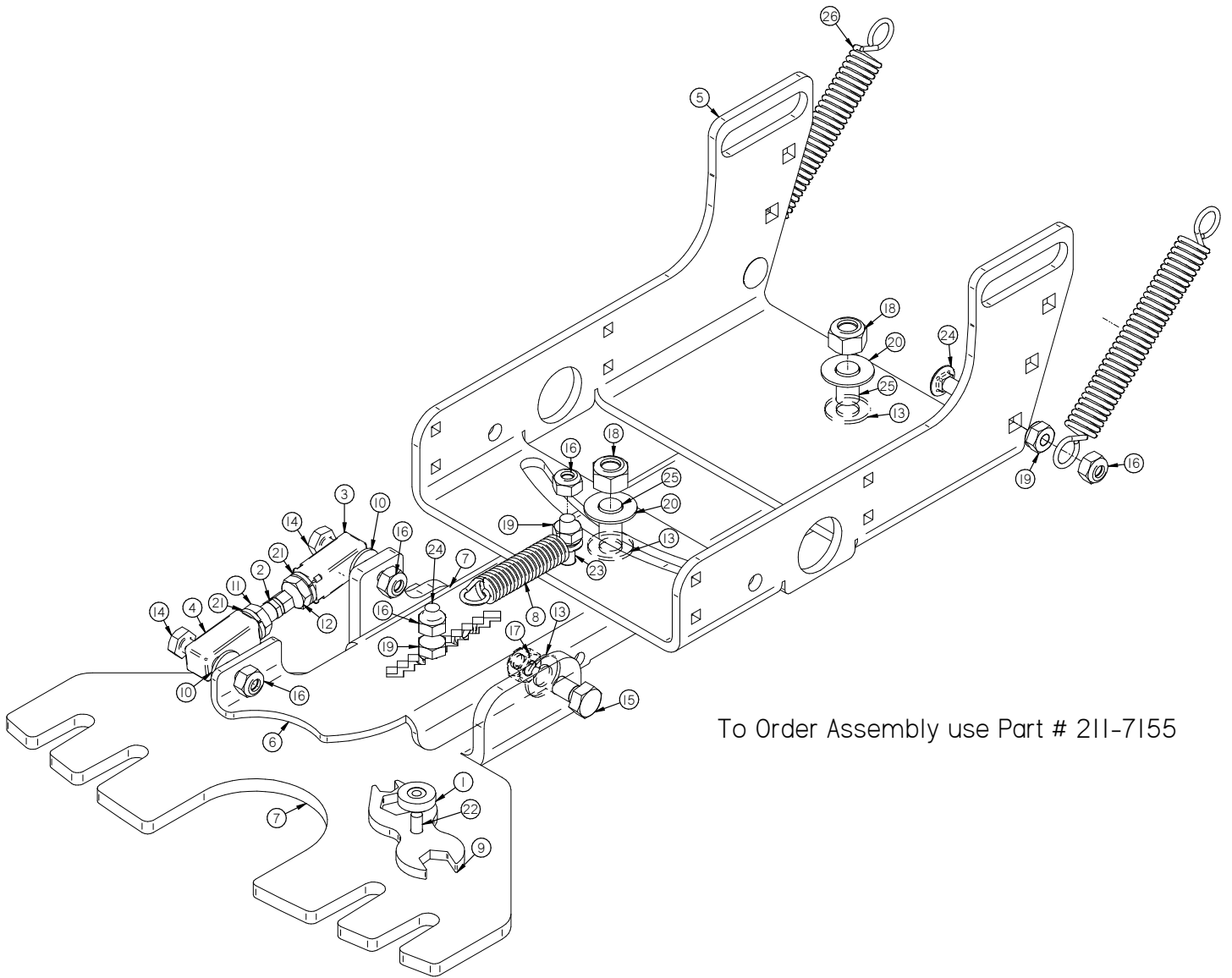


Item	Part No.	Part Description	Qty.
1	211-9088	DECK ACTUATOR MOUNT	1
2	211-9696	CENTER MOUNT DECK BRACKET LEFT	1
3	211-9697	CENTER MOUNT DECK BRACKET RIGHT	1
4	211-9699	TOP LATERAL ARM EDGE DECK	2
5	211-9700	LATERAL ARM	2
6	211-9708	DECK CENTER ARM	1
7	211-9718	Right Side Orbital Deck Bracket	1
8	211-9719	Left Side Orbital Deck Bracket	1
9	H-0156763	7/16" X 3-1/2" CLEVIS PIN	1
10	H-11126234	3/8 x 10 Threaded Rod ZINC	1
11	H-5012	5/16" ID, 1/2" OD, 3/8" LG, FLANGE BEARING	8
12	H-70051	HCS 5/16"- 18 X 1/2"	1
13	H-70712	HN 3/8"-16 SS	2
14	H-70861	NYLOK 5/16" - 18 SS	28
15	H-70862	NYLOK 3/8"-16 SS	1
16	H-71015	FW 5/16 ID X 3/4 OD SS	18
17	H-71065	LW 5/16" SS	1
18	H-71067	LW 3/8" SS	1
19	H-74429	CB 5/16"- 18 X 3/4" SS	6
20	H-74430	CB 5/16"- 18 X 1" SS	8
21	H-RUE76	rue ring cotter .4375	1



Orbital deck shrouds

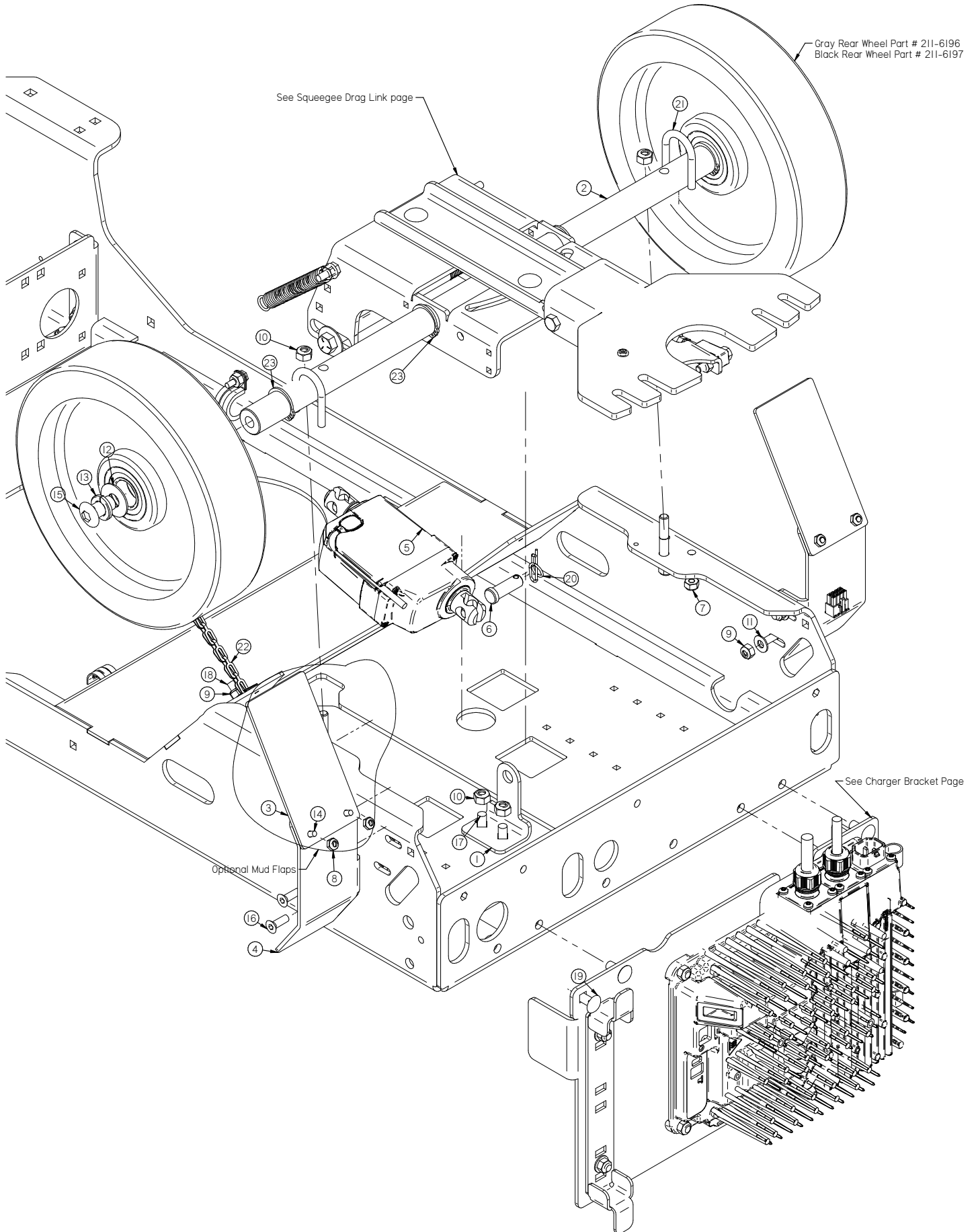
Item	Part No.	Part Description	Qty.
1	I50-7601	3" SIDE WHEEL (GREY)	1
2	H-70861	NYLOK 5/16" - 18 SS	1
3	H-71013	FW 1/4 ID X 5/8 OD SS	5
4	H-74401	CB 5/16"- 18 X 1-3/4" SS	1
5	H-74419	CB 1/4"- 20 X .75" SS	5
6	H-NJ04C	JNYL 1/4" - 20 SS	5



To Order Assembly use Part # 211-7155

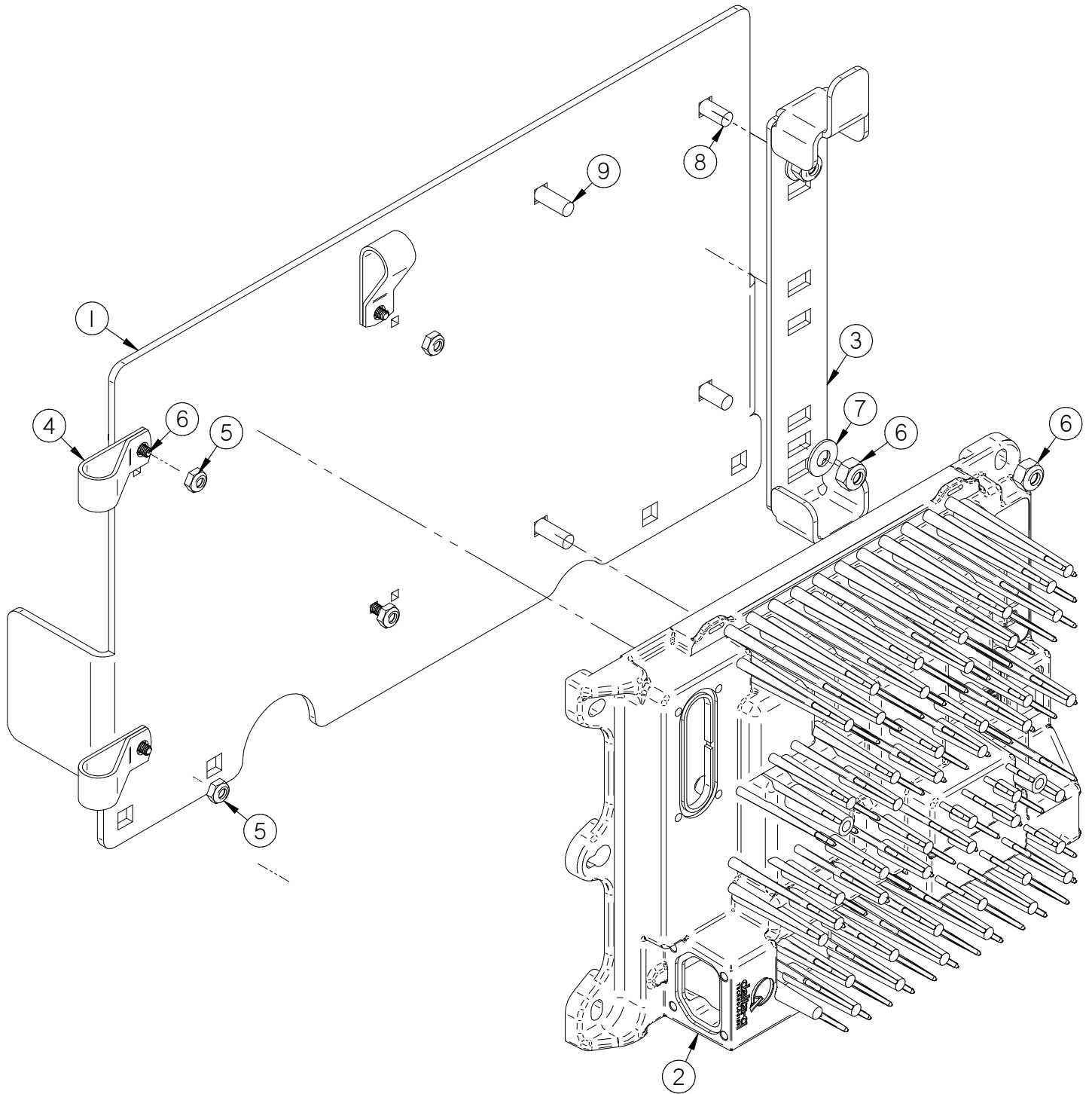
Squeegee linkage

Item	Part No.	Part Description	Qty.
1	175-4180	YELLOW KNOB	1
2	175-8420	ADJUSTABLE LATERAL ARM BODY	1
3	175-9583	ADJUSTABLE ROD END (LH THREAD)	1
4	175-9584	ADJUSTABLE ROD END (RH TREAD)	1
5	211-7141	SMILE PLATE	1
6	211-7151	SQUEEGEE TRAIL ARM	1
7	211-7611	SQUEEGEE TRIANGLE PLATE	1
8	211-9800	2.5 LG X .5 OD x .075 Wire	1
9	260-0001	THREE IN ONE TOOL	1
10	H-00283	FW 1/4" NYLON	2
11	H-36204	JN 5/16"- 18	1
12	H-36904	LH JN 5/16"- 18 SS	1
13	H-4440024	FW 3/8" X 3/4" NYLON	4
14	H-70007	HCS 1/4"- 20 X 1.25" SS	2
15	H-70053	HCS 5/16"- 18 X 3/4" SS	2
16	H-70860	NYLOK 1/4"- 20 SS	6
17	H-70861	NYLOK 5/16" - 18 SS	2
18	H-70862	NYLOK 3/8"-16 SS	2
19	H-70925	KN 1/4-20 S/S	4
20	H-71017	FW 3/8 ID X 7/8 OD SS	2
21	H-71065	LW 5/16" SS	2
22	H-72534	PPH #10-32 X 3/4" S/S	1
23	H-73883	FHP 1/4"- 20 X 1" SS	1
24	H-74420	CB 1/4"- 20 X 1.0" SS	3
25	H-74436	CB 3/8"- 16 X 1.0" SS	2
26	H-96545	SPRING, 4-1/8" LG, 9/16 OD, (42E)	2



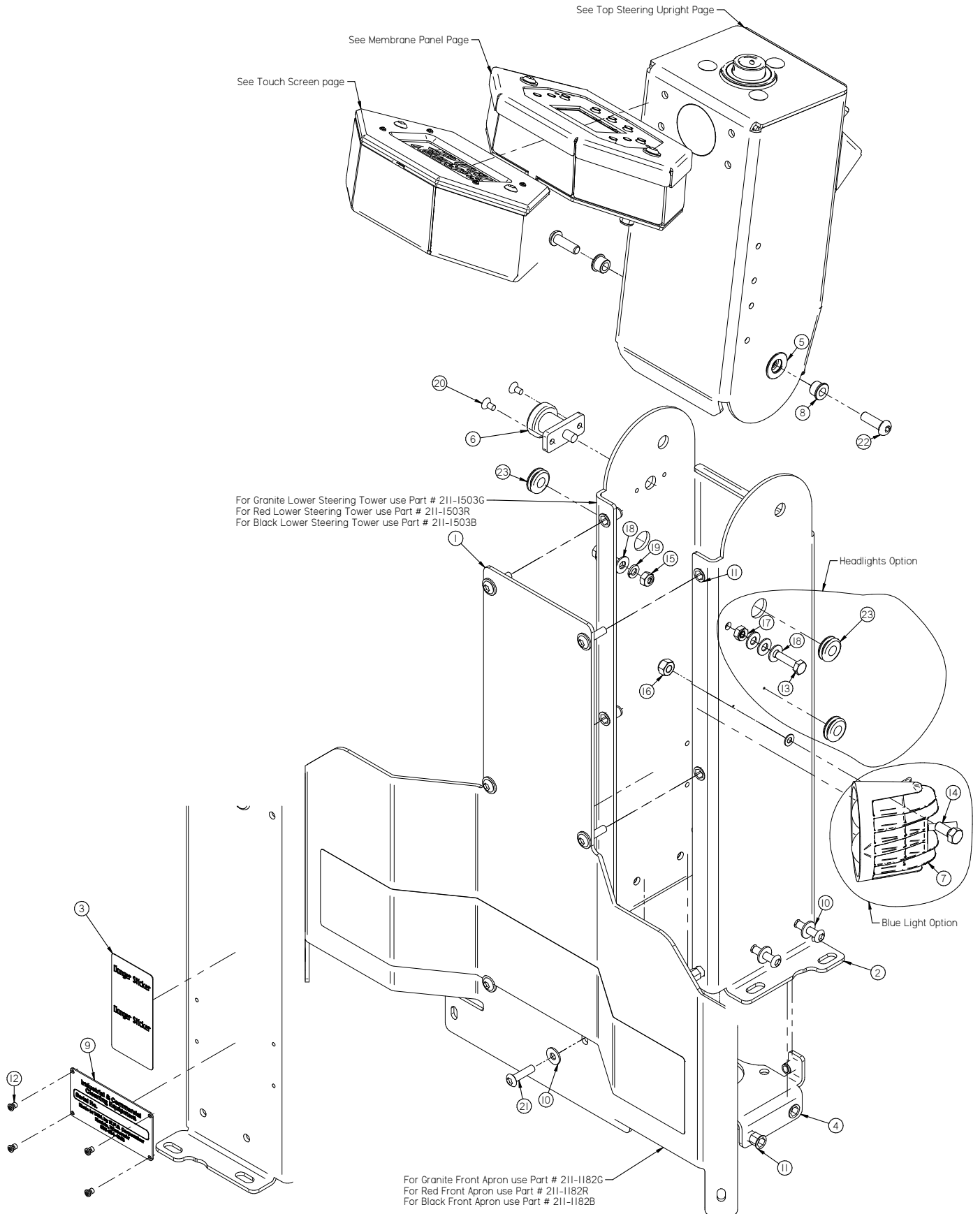
Rear axle & linkage assembly

Item	Part No.	Part Description	Qty.
1	211-1006	SQUEEGEE LIFTING BRACKET	1
2	211-1272	AXLE	1
3	211-9721	Rear Wheel Mud Flap	1
4	211-9722	Right Side Rear Mud Flap	1
5	650-2240	2.0" STROKE ACTUATOR (36V 900Nm)	1
6	H-0156761	.4375 X 1.25 CLEVIS ZINC	1
7	H-37018	NYLOK 1/4"-20	1
8	H-70858	NYLOK #10-32 SS	1
9	H-70860	NYLOK 1/4"- 20 SS	10
10	H-70861	NYLOK 5/16" - 18 SS	18
11	H-71013	FW 1/4 ID X 5/8 OD SS	10
12	H-71021	FW 1/2 ID X 1-1/4 OD SS	1
13	H-71071	LW 1/2" SS	1
14	H-73743	BHSCS 10-32 X 1/2" SS	1
15	H-73834	BHSCS 1/2- 13 X 1" SS	1
16	H-73882	FHSCS 1/4- 20 X 3/4" S/S	4
17	H-73907	FHSCS 5/16"- 18 X 3/4" SS	2
18	H-74420	CB 1/4"- 20 X 1.0" SS	2
19	H-74429	CB 5/16"- 18 X 3/4" SS	1
20	H-RUE76	rue ring cotter .4375	1
21	M-3043T13	1/4-20 X 1.0" U-BOLT	2
22	M-3608T24	6" GOLD GROUDING CHAIN	1
23	M-98585A121	1 INCH EXTERNAL RETAINING RING	2

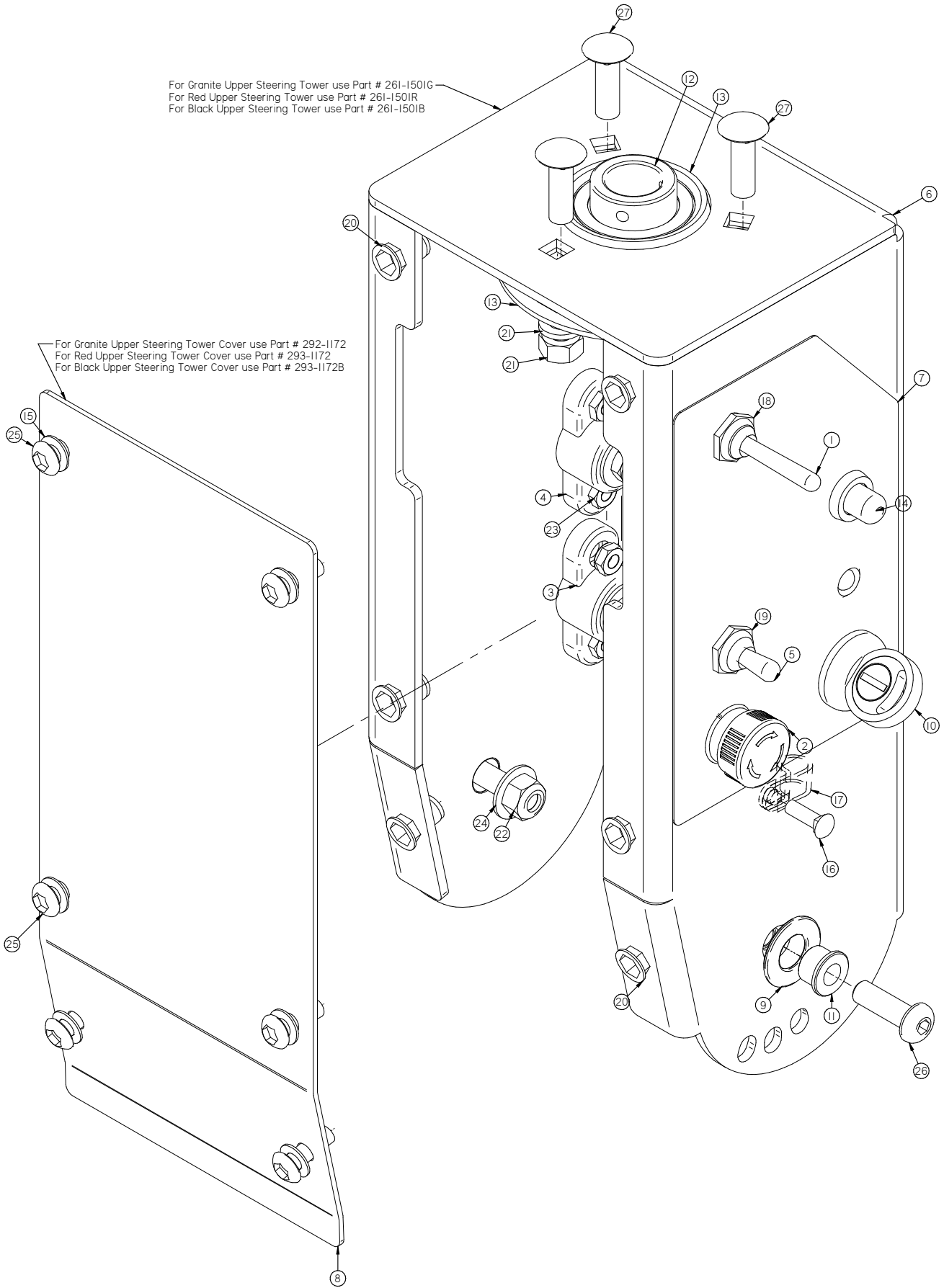


Rear charger bracket assembly

Item	Part No.	Part Description	Qty.
1	211-9698	BACK CHARGER BRACKET	1
2	260-2460	ONBOARD CHARGER (36V 18A)	1
3	600-4042	CORD WRAP	1
4	H-0127290	RUBBER LOOP CLAMP, 1/2"	3
5	H-70856	NYLOK #8-32 SS	4
6	H-70860	NYLOK 1/4"- 20 SS	4
7	H-71013	FW 1/4 ID X 5/8 OD SS	2
8	H-74418	CB 1/4"- 20 X 5/8" S/S	2
9	H-74419	CB 1/4"- 20 X .75" SS	2

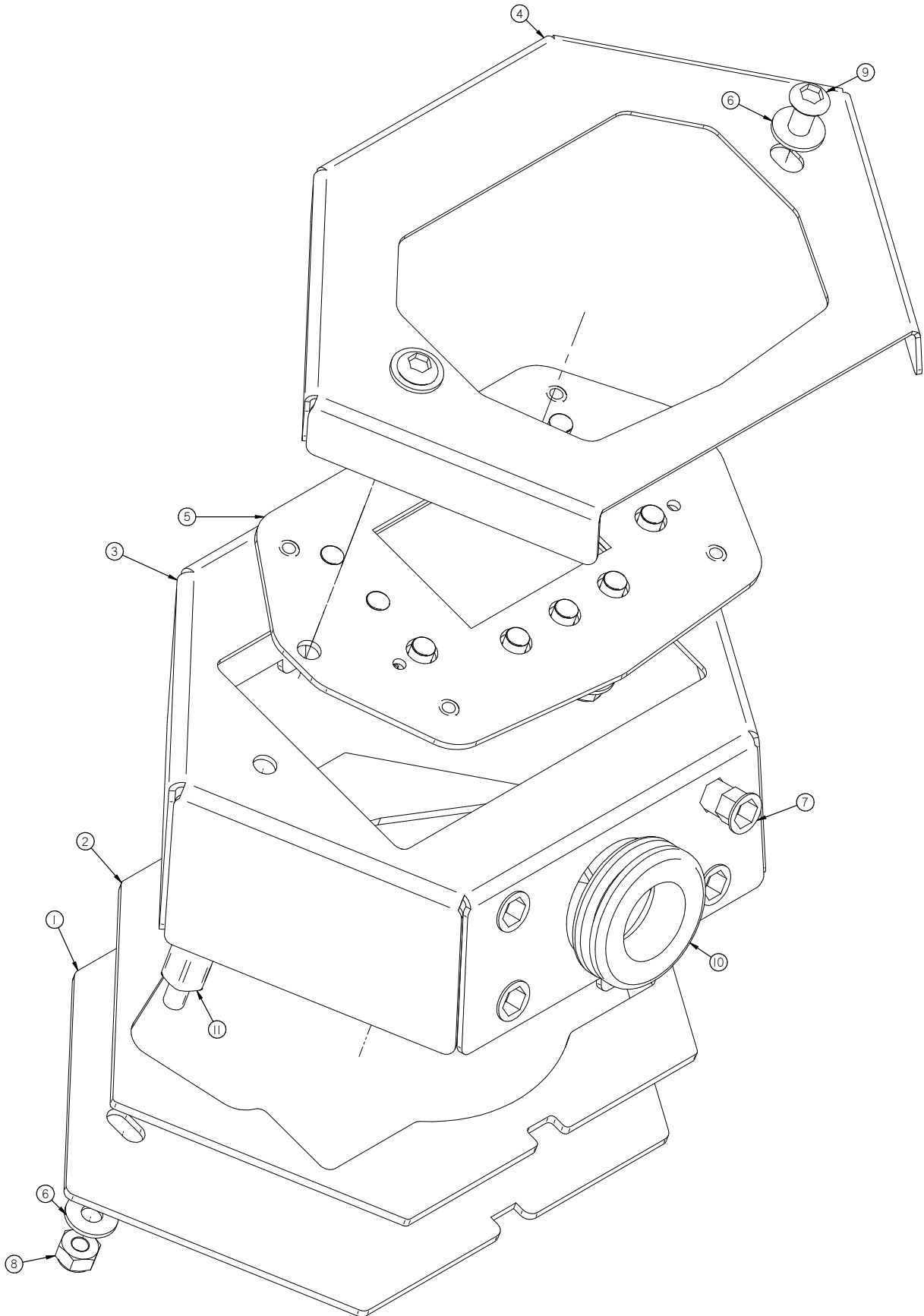


Item	Part No.	Part Description	Qty.
1	211-1182	STEERING TOWER FRONT APRON	1
2	211-1503	STEERING TOWER	1
3	211-2024	Danger Sticker	1
4	211-7423	Steering Support Plate	1
5	290-1247	BRONZE THRUST BEARING, .50" ID X 1.0" OD X 1/16" TH	1
6	290-7050	INDEX PLUNGER	1
7	349-2910	BLUE WARNING LIGHT	1
8	370-1245	BUSHING	1
9	4-101	SERIAL NUMBER PLATE	1
10	H-00283	FW 1/4" NYLON	12
11	H-00918	HCN 1/4"-20 Long	12
12	H-41007	AB4-3A BLIND RIVET ALUMINUM	1
13	H-70005	HCS 1/4"- 20 X 1" SS	1
14	H-70053	HCS 5/16"- 18 X 3/4" SS	1
15	H-70860	NYLOK 1/4"- 20 SS	1
16	H-70861	NYLOK 5/16" - 18 SS	1
17	H-70925	KN 1/4-20 S/S	1
18	H-71013	FW 1/4 ID X 5/8 OD SS	2
19	H-71063	LW 1/4" SS	1
20	H-72681	FHP #10-32 X 3/8" SS	2
21	H-73755	BHSCS 1/4 - 20 X 1" SS	12
22	H-73780	BHSCS 5/16-18 X 1	1
23	M-9307K23	GROMMET, 3/8 ID X 7/8 OD X 1/8 TH.	3



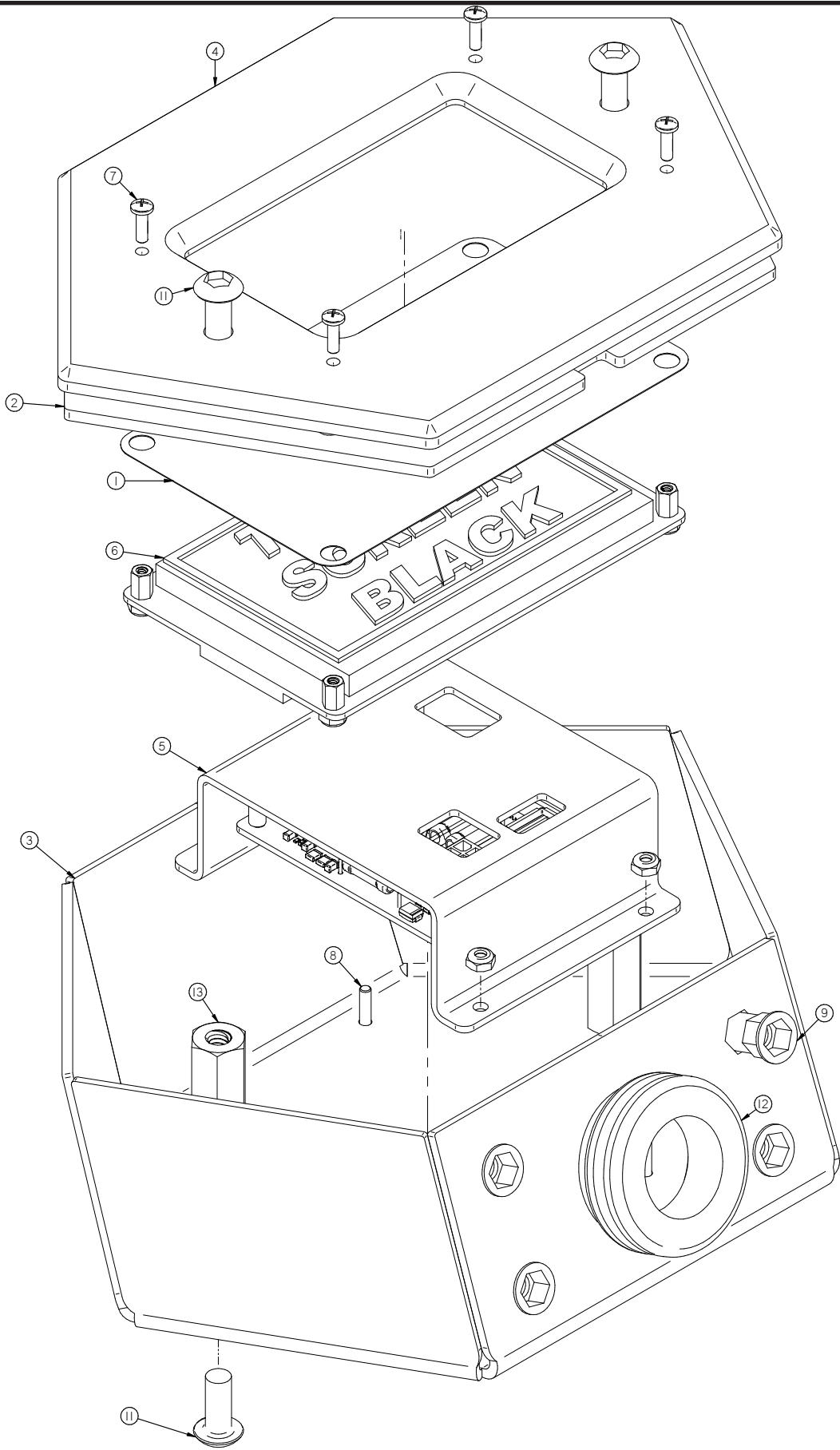
Top steering upright

Item	Part No.	Part Description	Qty.
1	150-2830	SWITCH, TOGGLE, MOM/OFF/MOM (DPDT)	1
2	175-0300	Emergency stop switch, 5I series, IC/O	1
3	175-2700	NEG INSULATOR POST (BLACK)	1
4	175-2710	POS INSULATOR POST (RED)	1
5	260-8920	TOGGLE, ON-OFF SPST	2
6	261-1501	UPPER STEERING TOWER	1
7	261-2020	TOWER DECAL	1
8	290-1172	COVER	1
9	290-1247	BRONZE THRUST BEARING, .50" ID X 1.0" OD X 1/16" TH	2
10	290-234	LOCK AND KEY	1
11	370-1245	BUSHING	2
12	4-352	BEARING	1
13	4-364A	FLANGE, 1.75" ID	2
14	8-294B	PUSH BUTTON SWITCH, SILVER	1
15	H-00282	FW 1/4" NYLON	6
16	H-0172519	CB #10-32 X 5/8" SS	1
17	H-02239	3/8" NYLON LOOP CLAMP	1
18	H-11196	PROTECTIVE BOOT, TOGGLE SWITCH, (RED)	1
19	H-11200	PROTECTIVE BOOT, TOGGLE SWITCH, (BLACK)	1
20	H-250HCN	HCN 1/4"-20	6
21	H-70711	HN 5/16"- 18 SS	3
22	H-70861	NYLOK 5/16" - 18 SS	2
23	H-70923	KN #10-32 SS	1
24	H-71015	FW 5/16 ID X 3/4 OD SS	1
25	H-73754	BHSCS 1/4 - 20 X 3/4" SS	6
26	H-73780	BHSCS 5/16-18 X 1	2
27	H-74430	CB 5/16"- 18 X 1" SS	3



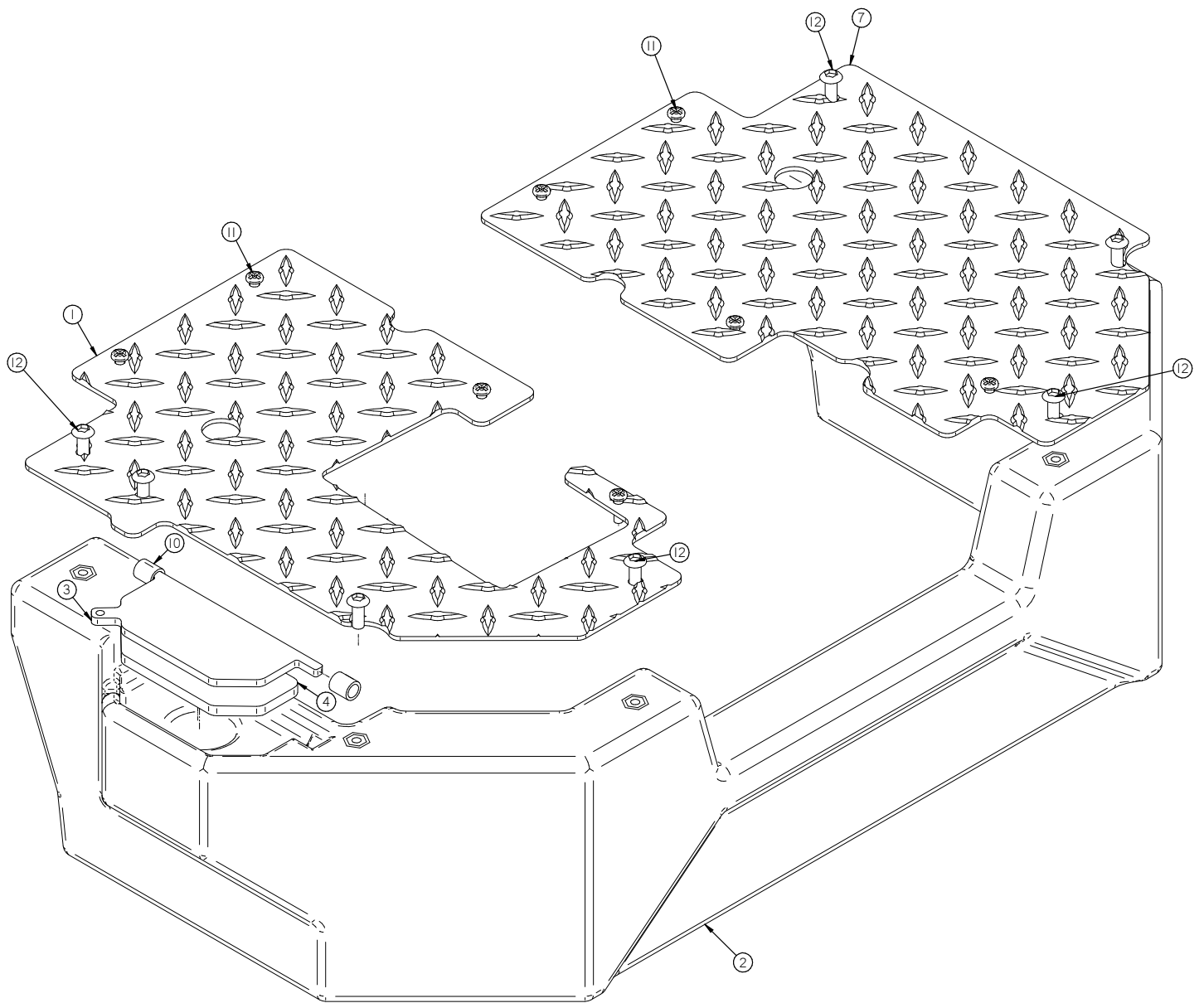
Membrane dash board

Item	Part No.	Part Description
1	211-1505	DASH BOTTOM COVER SED Membrane
2	211-1507	Membrane, Touch, Guage Dash Gasket
3	211-9102	FRONT DASH SED MEMBRANE
4	211-9715	DASH MEMBRANE COVER
5	220-9105	SED MEMBRAIN DASH
6	H-00283	FW 1/4" NYLON
7	H-250HCN	HCN 1/4"-20
8	H-70860	NYLOK 1/4"- 20 SS
9	H-73753	BHSCS 1/4 - 20 X 5/8" SS
10	H-9307K74	GROMMET, 1" ID X 1-3/4" OD BUNA-N
11	M-93620A833	1/4-20 Male to 1/4-20 Female standoff 1.75in Long



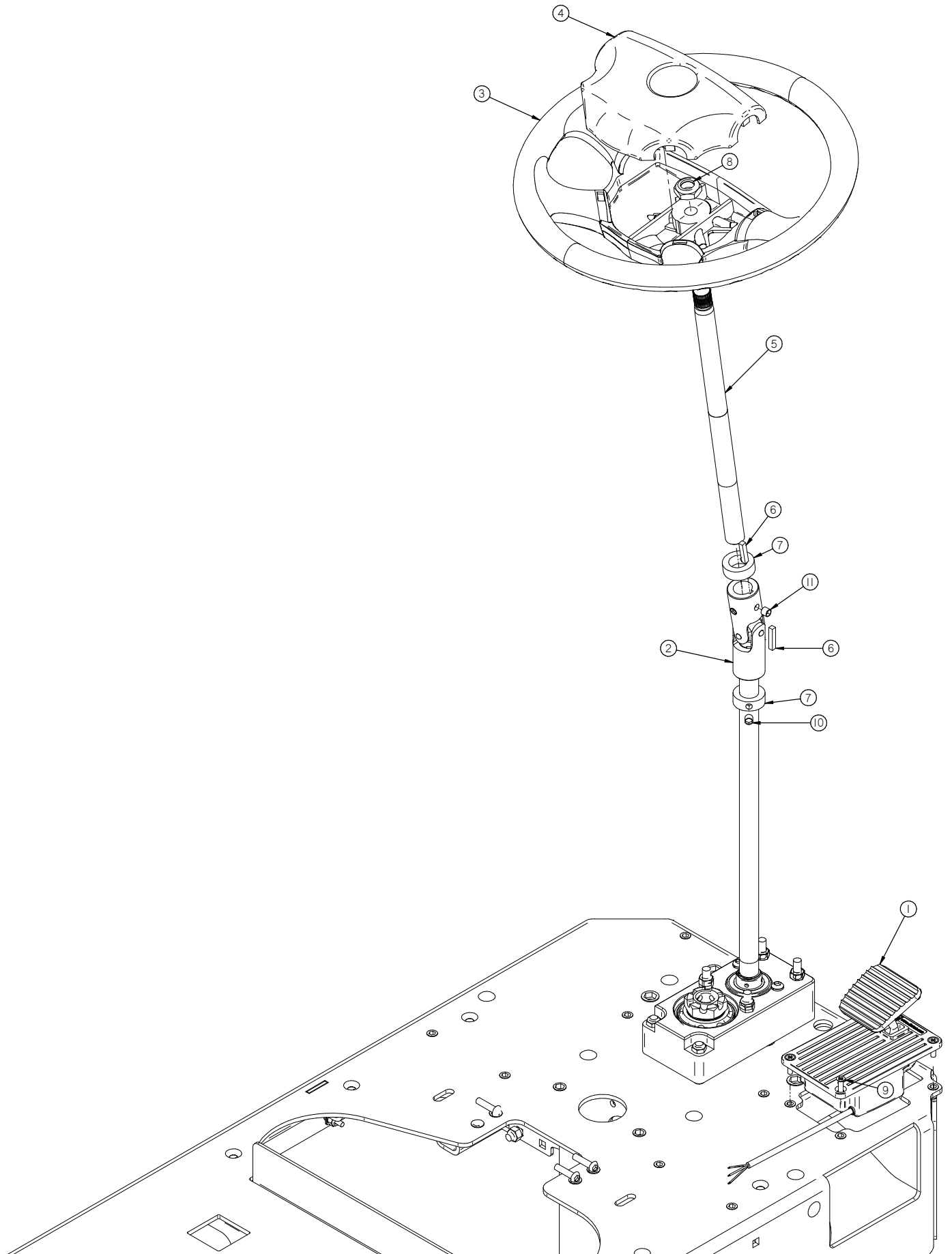
Touch screen dash

Item	Part No.	Part Description	Qty.
1	175-2024	TOUCH SCREEN PROTECTOR	1
2	211-1507	Membrane, Touch, Gauge Dash Gasket	1
3	261-1513	TOUCH SCREEN TUGS DASH BASE	1
4	261-1514	FRONT TOUCH SCREEN DASH	1
5	264-2891	TOUCH SCREEN CONTROLLER	1
6	264-2891	4 INCH TOUCH SCREEN (BLACK)	1
7	H-1128643	PPH #4-40 X .375 ZINC	4
8	H-1128655	PPH #4-40 X 1/2" ZINC	4
9	H-250HCN	HCN 1/4"-20	4
10*	H-37006	NYLOK #4-40 ZINC	4
11	H-73753	BHSCS 1/4 - 20 X 5/8" SS	4
12	H-9307K74	GROMMET, 1" ID X 1-3/4" OD BUNA-N	1
13	M-92230A340	1/4-20 x 2.5in - Female Standoff ZINK	2



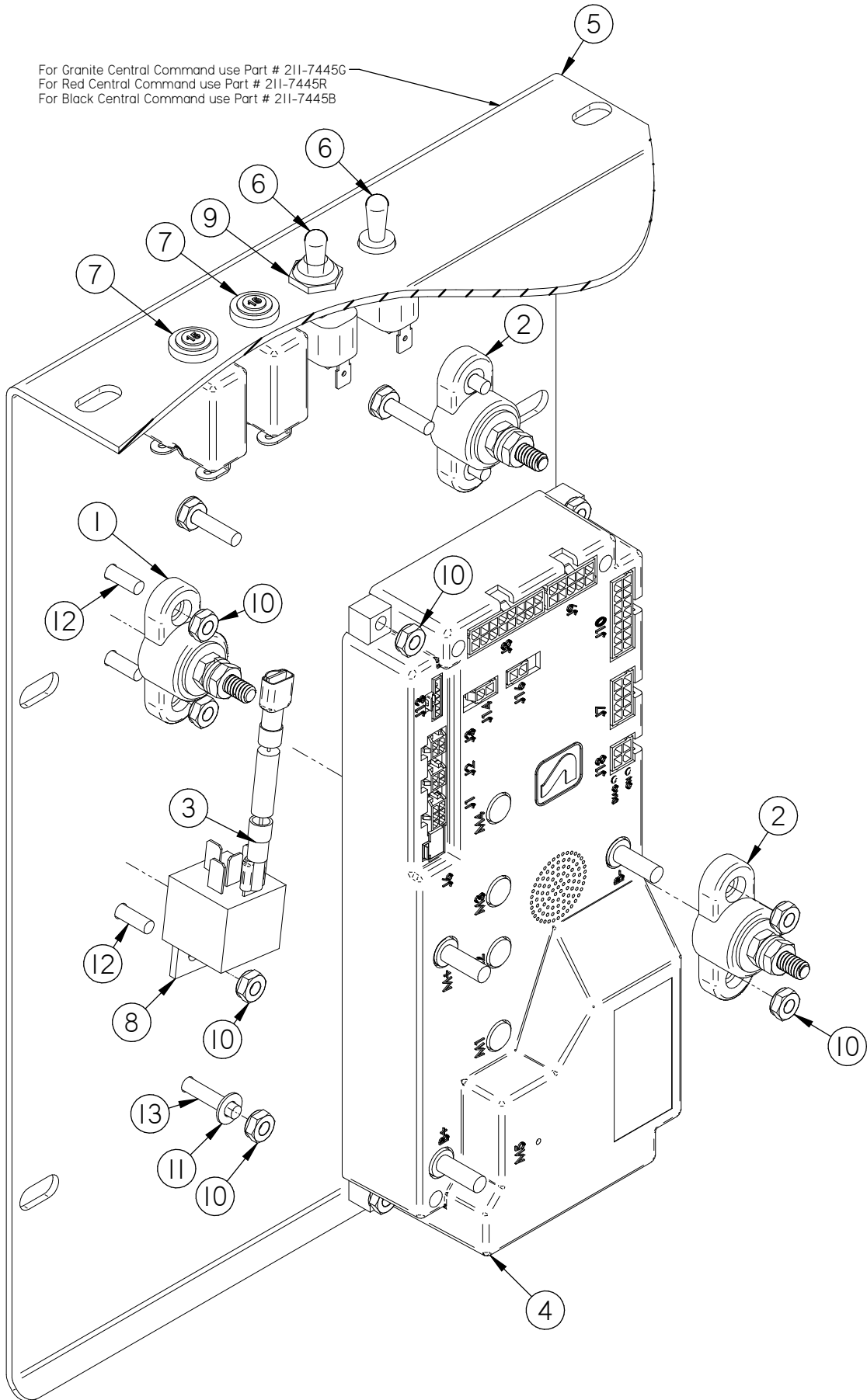
Front tank assembly

Item	Part No.	Part Description	Qty.
1	211-1918	Foot Plate With Disinfectant	1
2	211-4030	FRONT SUDS TANK	1
3	211-7441	FRONT TANK LID	1
4	211-7442	FRONT TANK LID FOAM GASKET	1
5*	211-9109	Left Side Steel Bumper	1
6*	211-9112	Right Side Steel Bumper	1
7	211-9123	FOOT PLATE LEFT SIDE	1
8*	211-9124	Foot Plate W/O Disinfectant	1
9*	211-9811	FOOT PLATE FOR VAC WAND	1
10	H-0434669	7/16 OD X 5/16 X 1/2 SLEVE	2
11	H-72517	PPH #10-32 X 5/8" SS	8
12	H-73753	BHSCS 1/4 - 20 X 5/8" SS	7



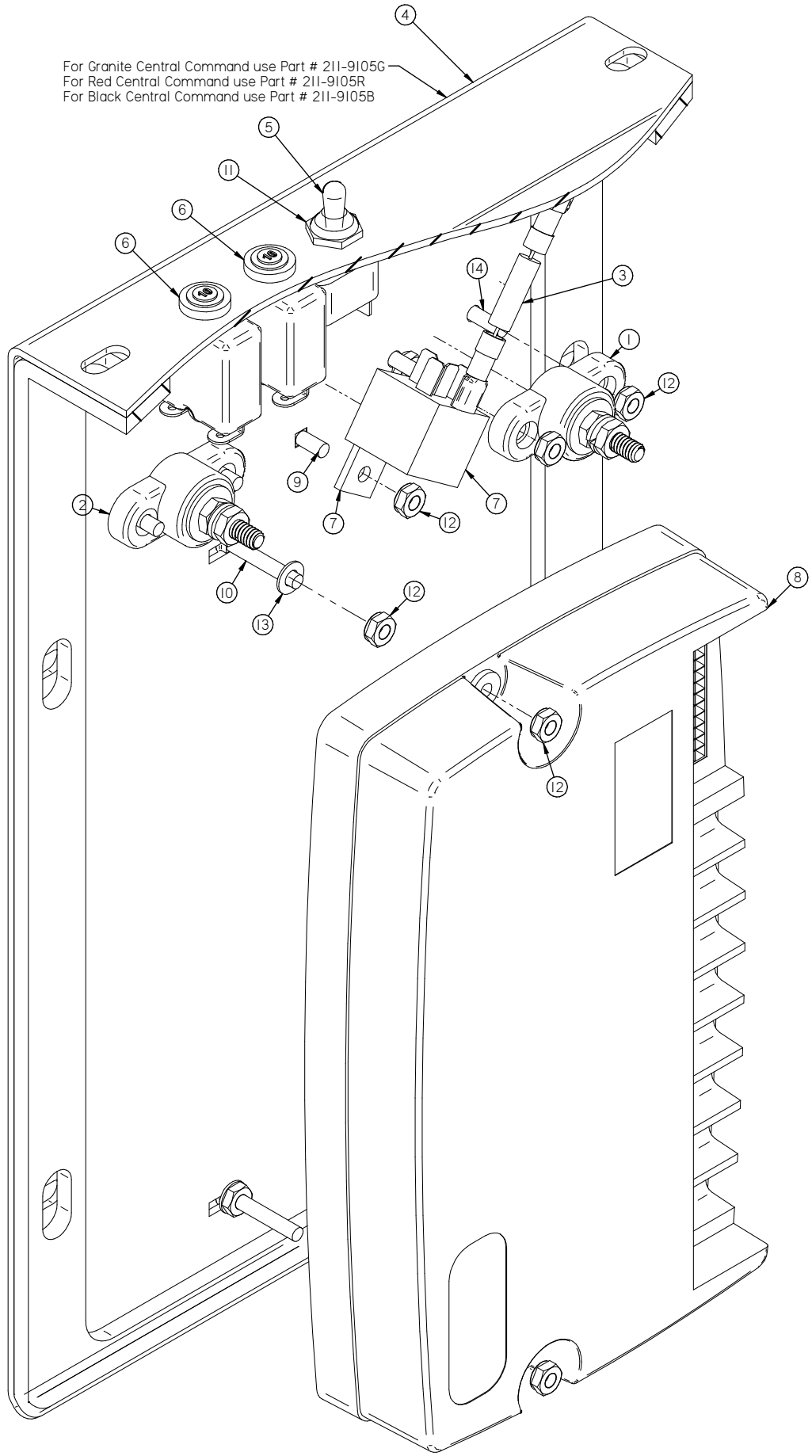
Steering shaft assembly

Item	Part No.	Part Description	Qty.
1	211-7431	Foot Pedal 36v	1
2	290-7110	U-JOINT	1
3	650-7030	STEERING WHEEL	1
4	650-7031	STEERING WHEEL COVER	1
5	650-7090	STEERING SHAFT, UPPER	1
6	H-01125	3/16" X 1" KEY	2
7	H-33376	SHAFT COLLAR, 3/4" ID X 9/16 LG	2
8	H-37038	JNYL 5/8" - 11	1
9	H-72684	FHP 10-32 X 3/4" SS	4
10	H-81983	5/16"-18 X 1/4" KNURL SET SCREW	2
11	H-82022	5/16-24" X 1/4" KNURL SET SCREW	1

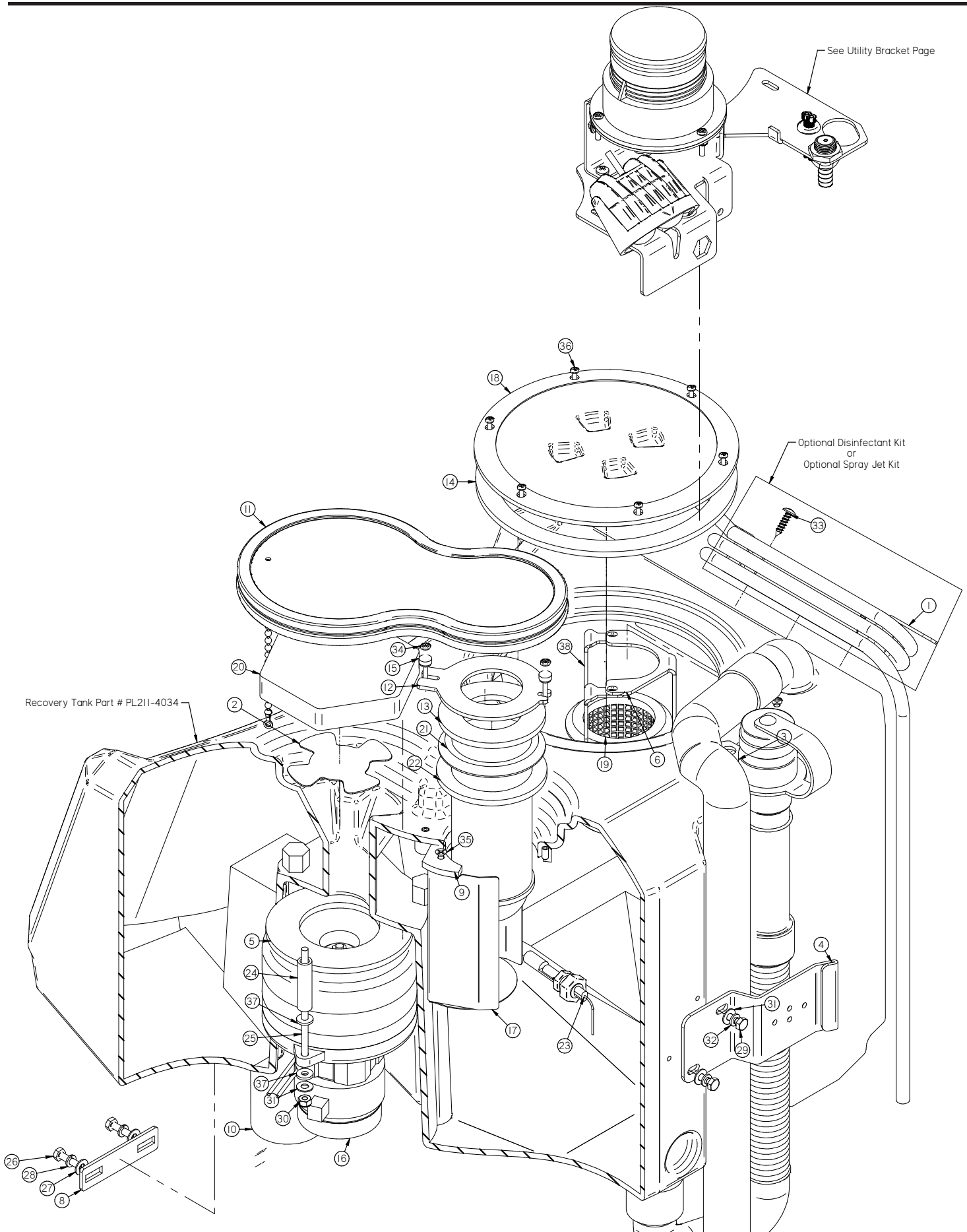


Central command pannel

Item	Part No.	Part Description	Qty.
1	175-2700	NEG INSULATOR POST (BLACK)	1
2	175-2710	POS INSULATOR POST (RED)	2
3	200-9580	150 ohm Resister	1
4	211-2901	Controller,36V, (RD Decal)	1
5	211-7445	CENTRAL COMMAND	1
6	370-8920	TOGGLE, ON-OFF SPST	2
7	390-9615	FUSE, RESETTABLE, 15 AMP, 50V DC MAX	2
8	5-293	24V 15 AMP RELAY	1
9	H-11200	PROTECTIVE BOOT, TOGGLE SWITCH, (BLACK)	1
10	H-70923	KN #10-32 SS	15
11	H-71009	FW #10 SS	4
12	H-72517	PPH #10-32 X 5/8" SS	7
13	H-72536	PPH #10-32 X 1" S/S	4

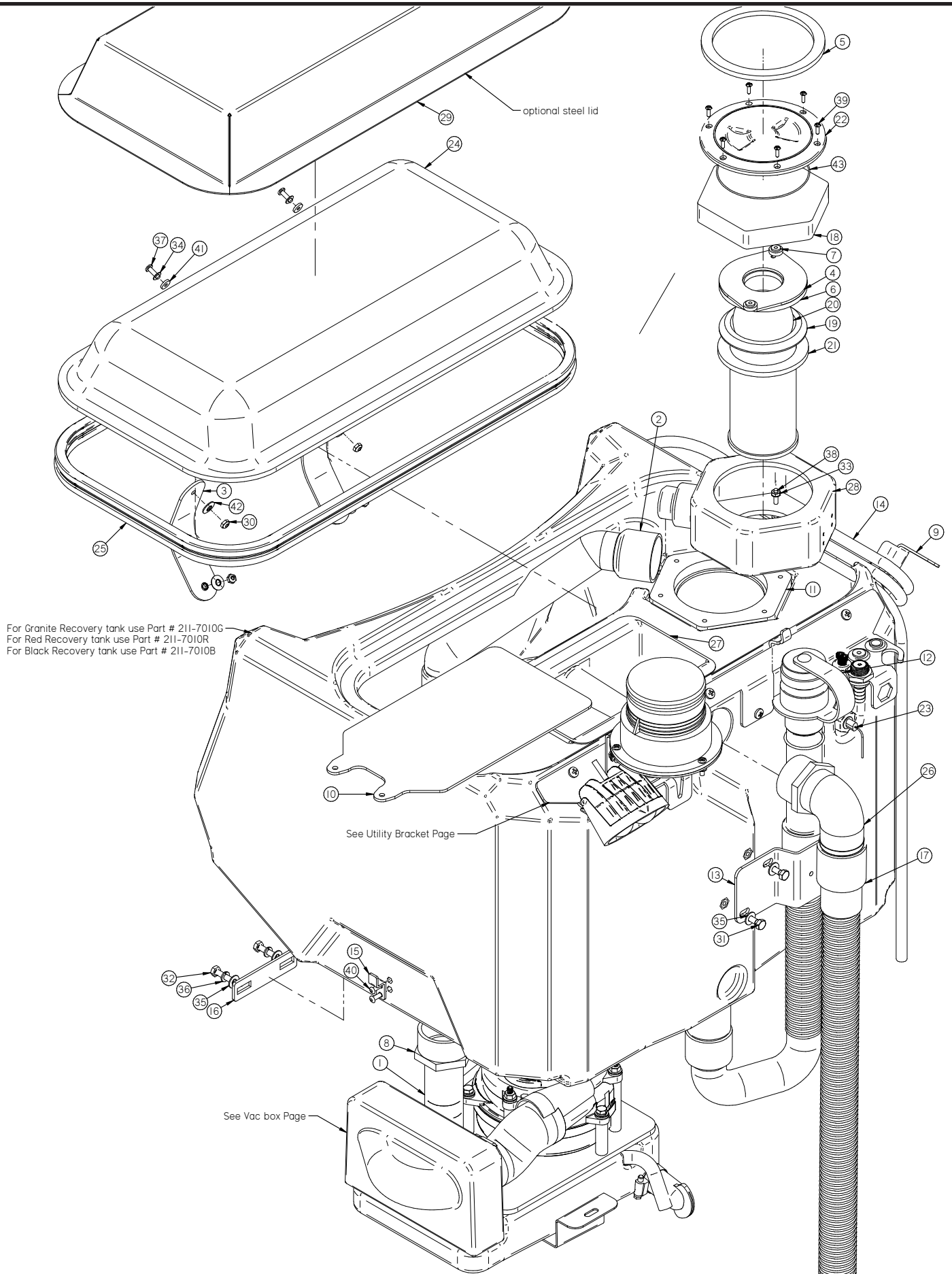


Item	Part No.	Part Description	Qty.
1	175-2700	NEG INSULATOR POST (BLACK)	1
2	175-2710	POS INSULATOR POST (RED)	1
3	200-9580	150 ohm Resister	1
4	211-9105	TOUCH SCREEN CC	1
5	370-8920	TOGGLE, ON-OFF SPST	1
6	390-9610	FUSE, RESETTABLE, 10 AMP, 50V DC MAX	2
7	5-293	24V 15 AMP RELAY	1
8	650-2890	TOUCH SCREEN CONTROLER	1
9	H-0172518	CB #10-32 X 1/2" SS	1
10	H-0172522	CB #10-32 X 1-1/4" SS	2
11	H-11200	PROTECTIVE BOOT, TOGGLE SWITCH, (BLACK)	1
12	H-70923	KN #10-32 SS	11
13	H-71009	FW #10 SS	2
14	H-72517	PPH #10-32 X 5/8" SS	4

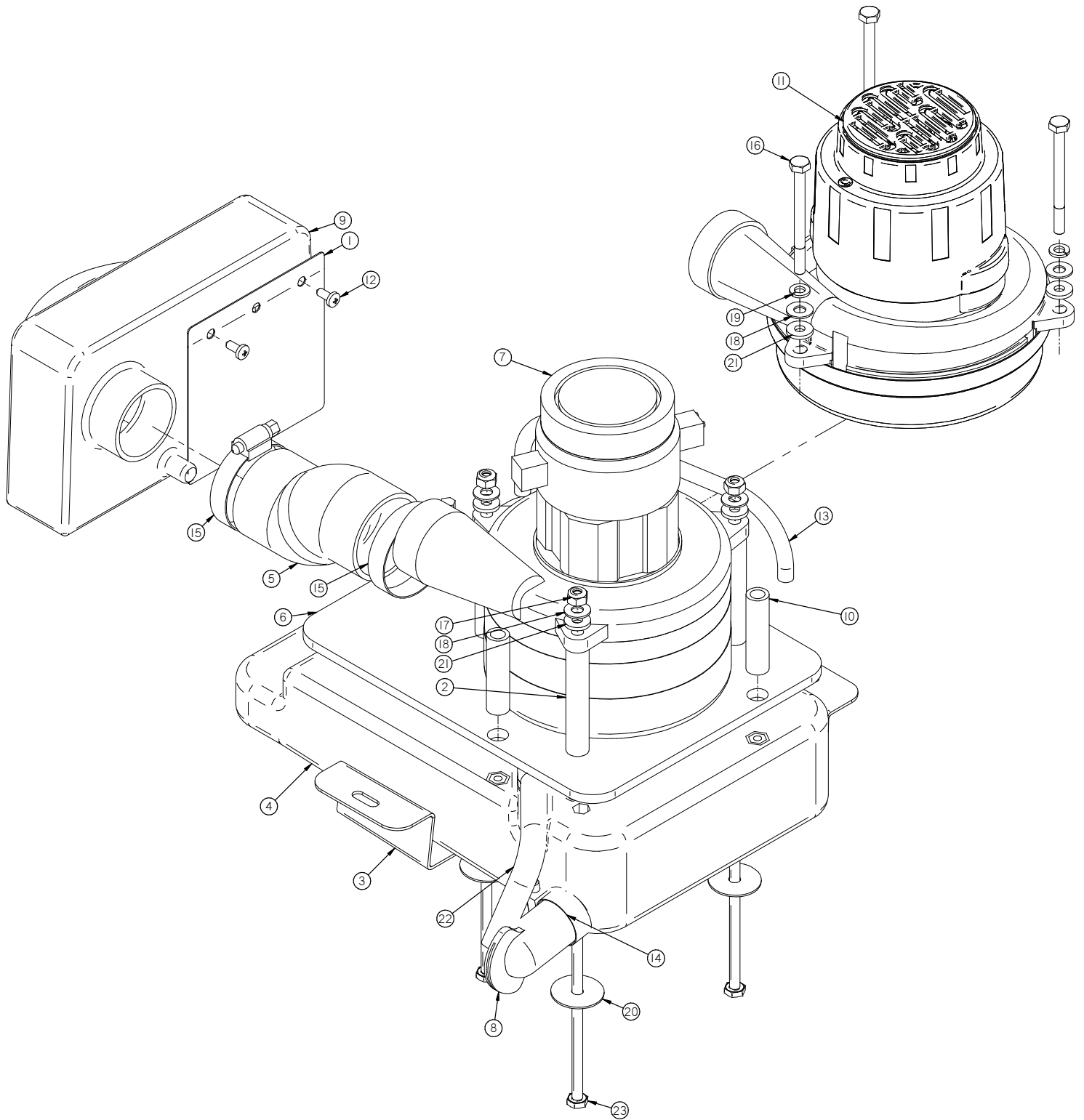


Item	Part No.	Part Description	Qty.
1	211-4042	HOSE WRAP	1
2	211-4081	VAC SCREEN	1
3	211-7210	RECOVERY DRAIN HOSE	1
4	211-7427	BACK HOSE BRACKET	1
5	211-9723	Vac Motor Gasket	1
6	220-1137	DRAIN SAVER BASKET HOLDER	1
7	220-7000	DRAIN SAVER CURTAIN	1
8	253-1040	TANK STRAP SUPPORT	1
9	260-1133	TANK GASKET	1
10	260-2502	VAC MUFFLER	1
11	260-4048D	REC TANK VAC COVER, GASKET & LANYARD	1
12	260-4080	BALL FLOAT TOP	1
13	260-4103	BALL FLOAT GASKET	1
14	260-4106	8 INCH LID GASKET	1
15	260-4180	8-32 THUMB NUT	2
16	260-5251D	36V VAC MOTOR, TANGENTIAL	1
17	260-7000	BAFFLE	1
18	260-7425	TANK SCREW ON LID 10"	1
19	260-8912	DRAIN SAVER BASKET	1
20	264-4086	VAC BOX FILTER	1
21	264-9111	SCREEN STRAINER	1
22	38-738	STRAINER GASKET	1
23	5-226	FLOAT SWITCH	1
24	650-2600	SPACER, 2-1/8" LG	1
25	H-10330725	1/4-20 X 5.0" THRD STUD ZINC	1
26	H-13005	HCS 1/4"- 20 X 1" ZINC	1
27	H-33078	FW 1/4 ID X 5/8 OD ZINC	2
28	H-33618	LW 1/4" ZINC	1
29	H-70002	HCS 1/4"-20 X 5/8" SS	1
30	H-70860	NYLOK 1/4"- 20 SS	1
31	H-71013	FW 1/4 ID X 5/8 OD SS	3
32	H-71063	LW 1/4" SS	1
33	H-71894	#14 X 1" SELF TAPPING SCREW SS	1
34	H-72419	PPH #8-32 X 1-1/4" S/S	2
35	H-72685	FHP 10-32 X 1" SS	2
36	H-72916	PPH SMS #8 X 3/4" SS	1
37	M-90130A029	.25" NEOPRENE WASHER	2

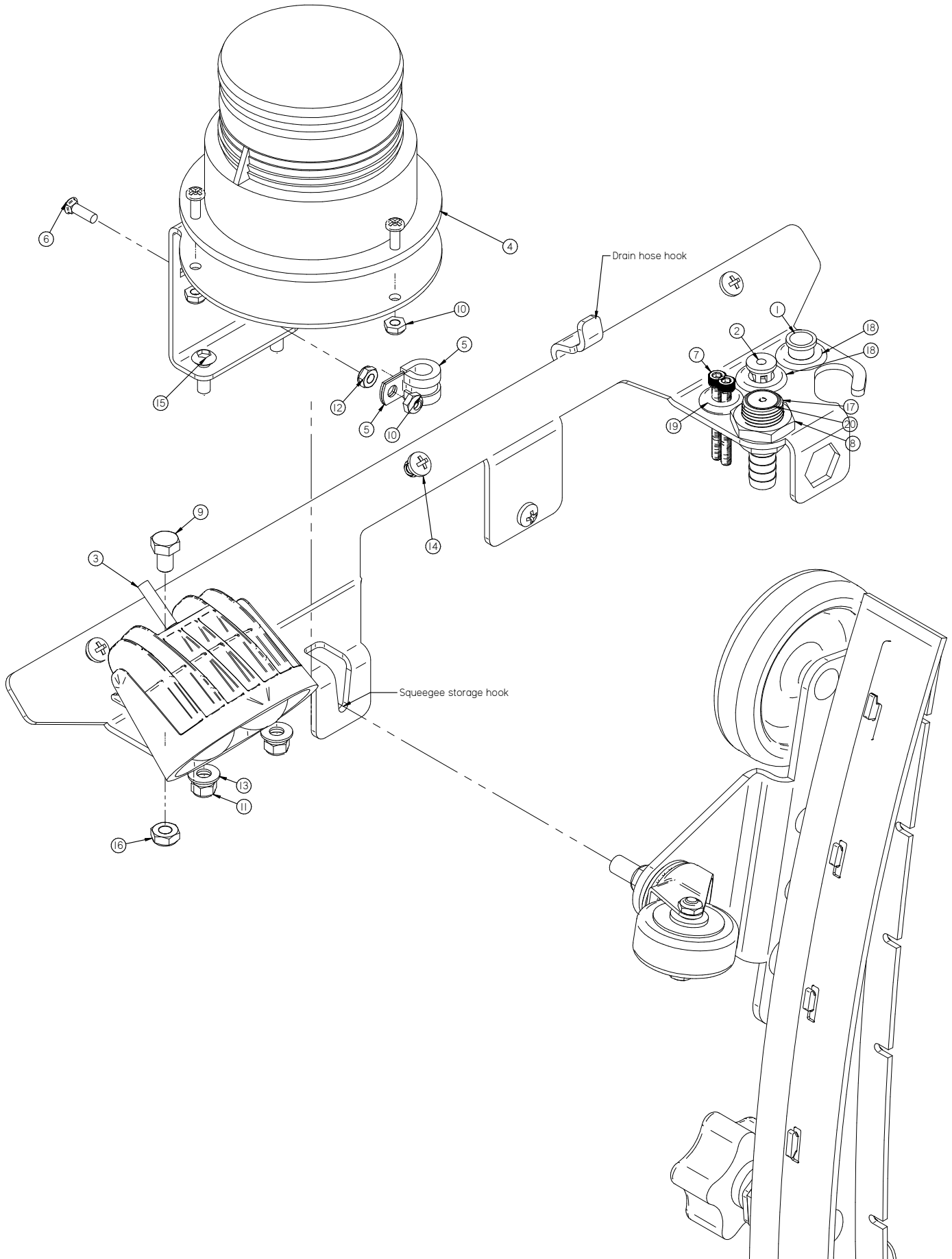
Item	Part No.	Part Description	Qty.
1	150-8930	0 Degree Spray Tip	1
2	150-8932	40 Degree Spray Tip	1
3	211-9127	REAR TANK BRACKET	1
4	211-9709	Strobe Light Bracket	1
5	349-2910	BLUE WARNING LIGHT	1
6	8-293	STROBE LIGHT	1
7	H-0127290	1/2" LOOP CLAMP	1
8	H-1139552	SHCS M5 x 45mm	2
9	H-13051	HCS 5/16"- 18 X 1/2" ZINC	1
10	H-29073	PPH #10-32 X 1" ZINC	3
11	H-37015	NYLOK #10-32 ZINC	4
12	H-37023	JNYL 5/16"- 18 ZINC	1
13	H-37408	KN #10-32 ZINC	1
14	H-68600	1/2" NPT BRASS NUT	1
15	H-71893	1/4 X 3/4 SELF TAPPING SCREW	3
16	M-5346K25	1/2 NPT X 1/2 BRASS BARBED HOSE FITTING	1
17	M-92356A257	CB #10-32 X 5/8" ZINC	1
18	M-9307K22	GROMMET, RUBBER 3/8 ID X 7/8 OD X 5/16 TH.	2
19	M-9307K23	GROMMET .625 DIAMETER HOLE .125 THICK PANEL	1
20	M-9545K114	17/32" to 39/64" ID Hole Plug	1



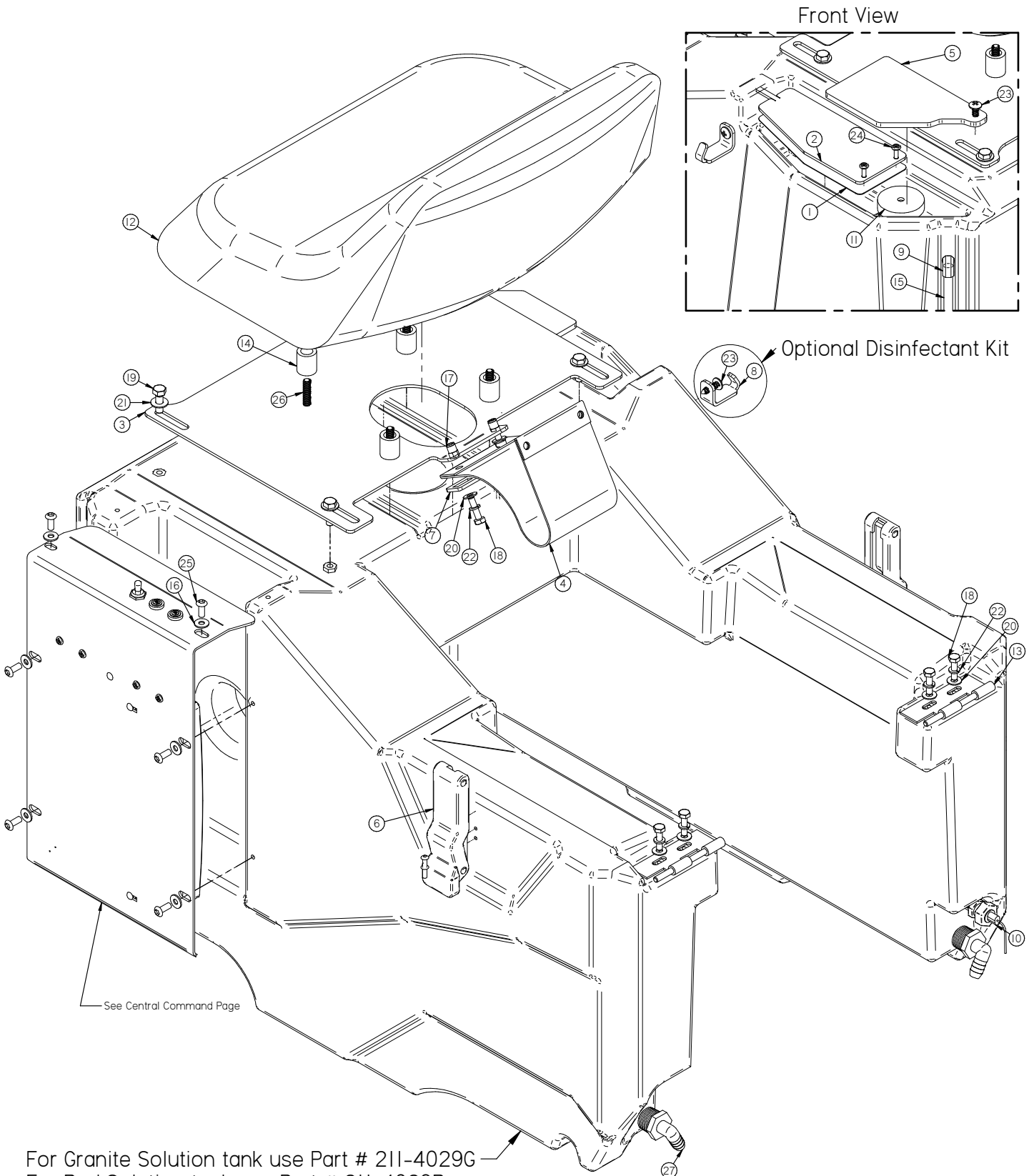
Item	Part No.	Part Description	Qty.
1		VAC BOX VAC HOSE	1
2		INNER VAC HOSE	1
3	175-1412	TANK LID STRAP W/GROMMETS	2
4	175-4080	STRAINER TOP	1
5	175-4102	GASKET, BAFFLE TOP	1
6	175-4103	BALL FLOAT GASKET	1
7	175-4180	YELLOW KNOB	2
8	190-1215	2.0 NPT X 1.50 BARB	1
9	211-4042	HOSE WRAP	1
10	211-7001	DRAIN SAVER CURTAIN	1
11	211-7020	HEX BOX SPACER	1
12	211-7210	RECOVERY DRAIN HOSE	1
13	211-7427	BACK HOSE BRACKET	1
14	211-8960	SPRAY HOSE	1
15	250-1240	CLIP	1
16	253-1040	TANK STRAP SUPPORT	1
17	261-0111	Vac Hose	1
18	264-4086	VAC BOX FILTER	1
19	264-9111	SCREEN STRAINER	1
20	38-712	OVERFILL SHUTOFF BALL	1
21	38-738	STRAINER GASKET	1
22	400-4250	4" Clear Access Port	1
23	5-226	FLOAT SWITCH	1
24	600-1409	GTX TINTED RECOVERY LID	1
25	600-1415	PUSH-ON RUBBER GASKET	1
26	600-7040	2" NPT X 2" BARB STREET ELBOW, BLACK	1
27	600-8915	DRAIN SAVER BASKET	1
28	650-0033	INNER VAC BOX	1
29	650-1408	STEEL LID	1
30	H-0129155	JNYL #10-32, 18-8 S/S	4
31	H-70002	HCS 1/4"-20 X 5/8" SS	2
32	H-70005	HCS 1/4"- 20 X 1" SS	2
33	H-70923	KN #10-32 SS	2
34	H-71009	FW #10 SS	2
35	H-71013	FW 1/4 ID X 5/8 OD SS	4
36	H-71063	LW 1/4" SS	2
37	H-72517	PPH #10-32 X 5/8" SS	2
38	H-72554	PPH #10-32 X 1-1/2"	2
39	H-72904	PPH SMS #6 X 1/2" SS	6
40	H-73743	BHSCS 10-32 X 1/2" SS	2
41	H-90133	.17 ID X .5 OD X .093 NEOPRENE WASHER	2
42	M-91235A112	Belleville Spring Lock Washer, 1/4 stainless	4
43	M-9452K132	.0625 X 3.50 043 O-RING	1



Item	Part No.	Part Description	Qty.
1	175-1029	TANK BACK SPLASH	1
2	175-2600	SPACER, 3.0" LG	3
3	211-5251	VAC BOX MOUNTING BRACKET	1
4	220-1146	VAC BOX	1
5	220-2502	Muffler	1
6	220-3001	VAC MOTOR GASKET	1
7	260-5251D	36V VAC MOTOR, TANGENTIAL	1
8	390-1505	LOADER VALVE	1
9	650-1148	GTR VAC MUFFLER WALL	1
10	650-2600	SPACER, 2-1/8" LG	2
11	650-5250	36V VAC MOTOR	1
12	H-175216	PPH SMS #10 X 1/2" SBO	2
13	H-52335	Clear PVC 1/8" ID 1/4"OD Tubing	1
14	H-62005	CLAMP 5/8"- 1-1/2" SS	1
15	H-62046	CLAMP 1 9/16 - 2 1/2 " SS	2
16	H-70015	HCS 1/4"- 20 X 3.0" SS	3
17	H-70860	NYLOK 1/4"- 20 SS	3
18	H-71013	FW 1/4 ID X 5/8 OD SS	6
19	H-71063	LW 1/4" SS	3
20	H-71213	FNW 1/4" X 1-1/4" SS	3
21	M-90130A029	.25" NEOPRENE WASHER	5
22	M-9117T4BL	vac drain hose.par	1
23	M-92198A567	HCS .25-20 X 6.5 SS	3



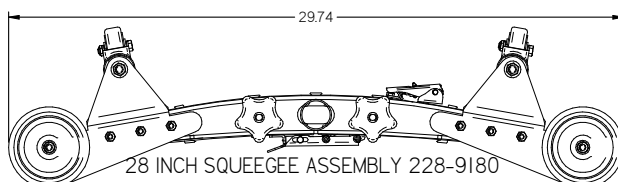
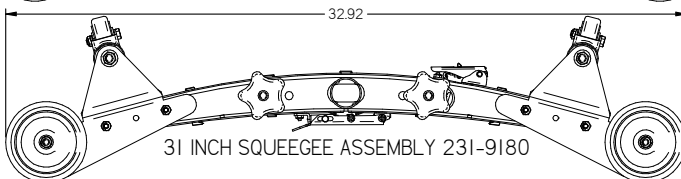
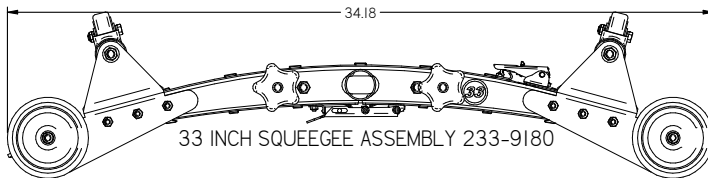
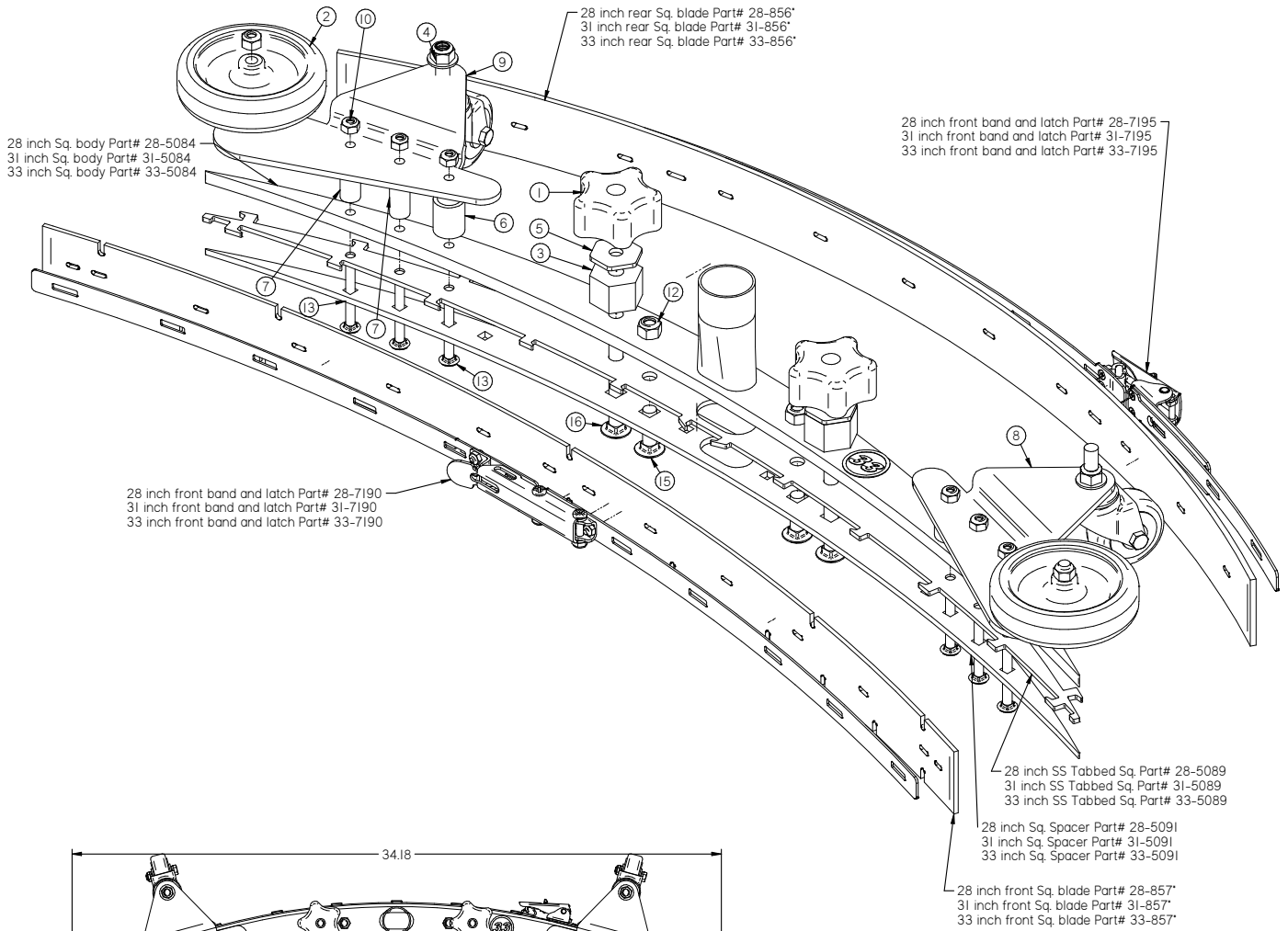
Item	Part No.	Part Description	Qty.
1	150-8930	0 Degree Spray Tip	1
2	150-8932	40 Degree Spray Tip	1
3	349-2910	BLUE WARNING LIGHT	1
4	8-293	STROBE LIGHT	1
5	H-0127290	1/2" LOOP CLAMP	1
6	H-0172519	CB #10-32 X 5/8" SS	1
7	H-1139552	SHCS M5 x 45mm	2
8	H-68600	1/2" NPT BRASS NUT	1
9	H-70051	HCS 5/16"- 18 X 1/2"	1
10	H-70858	NYLOK #10-32 SS	4
11	H-70860	NYLOK 1/4"- 20 SS	2
12	H-70923	KN #10-32 SS	1
13	H-71013	FW 1/4 ID X 5/8 OD SS	2
14	H-71893	1/4 X 3/4 SELF TAPPING SCREW	4
15	H-73754	BHSCS 1/4 - 20 X 3/4" SS	2
16	H-NJ05C	JNYL 5/16"- 18 SS	1
17	M-5346K25	1/2 NPT X 1/2 BRASS BARBED HOSE FITTING	1
18	M-9307K22	GROMMET, RUBBER 3/8 ID X 7/8 OD X 5/16 TH.	2
19	M-9307K23	GROMMET .625 DIAMETER HOLE .125 THICK PANEL	1
20	M-9545K114	17/32" to 39/64" ID Hole Plug	1



For Granite Solution tank use Part # 211-4029G
 For Red Solution tank use Part # 211-4029R
 For Black Solution tank use Part # 211-4029B

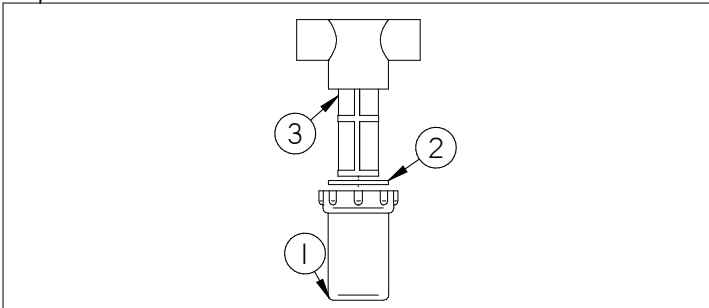
Item	Part No.	Part Description	Qty.
1	211-1129	SOLUTION FILL SCREEN SHORT	1
2	211-1131	SOLUTION FILL CURTAIN SHORT	1
3	211-7424	SEAT SLIDE BRACKET	1
4	211-9125	TANK STRAP, 16" LG X 4" WIDE	1
5	211-9725	SOLUTION FILL TOP LID HALF	1
6	250-1240	LATCH	1
7	253-1040	TANK STRAP SUPPORT	1
8	253-9491	HOOK	1
9	290-4149	1/4" NPT X 1/4" BARB X 90 DEG	1
10	5-226	FLOAT SWITCH	1
11	500-1380	FILL HOSE	1
12	500-1430	SMALL SEAT	1
13	600-1220	4" SS HINGE	1
14	700-0011	CYLINDRICAL ACTUATOR SPACER	4
15	B-033	Clear PVC 1/4" ID 1/2"OD Tubing	1
16	H-00283	FW 1/4" NYLON	6
17	H-250HCN	HCN 1/4"-20	2
18	H-70005	HCS 1/4"- 20 X 1" SS	10
19	H-70055	HCS 5/16"- 18 X 1" SS	4
20	H-71013	FW 1/4 ID X 5/8 OD SS	10
21	H-71015	FW 5/16 ID X 3/4 OD SS	4
22	H-71063	LW 1/4" SS	10
23	H-71894	#14 X 1" SELF TAPPING SCREW SS	2
24	H-72398	PPH #8-32 X 1/2" S/S	1
25	H-73753	BHSCS 1/4 - 20 X 5/8" SS	6
26	H-94258	FHSCS .312-18 X 1.5 ZINC	4
27	M-5463K516	ELBOW, NYLON, 3/4" MALE NPT X 1/2" BARB	2

L= Linatex
 U= Urethane
 N= Nanorade

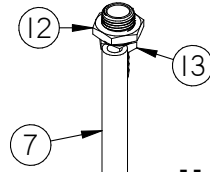


Item	Part No.	Part Description	Qty.
1	150-5786	STAR KNOB, 3/8-16 THREAD	1
2	150-7600	4" SIDE WHEEL (GREY)	2
3	211-8460	STANDOFF, 7/8"	1
4	253-7570	CASTER	1
5	37-0005	SQUEEGEE WASHER	1
6	37-0007	SQUEEGEE ROLLER SPACER	1
7	37-0008	SQUEEGEE ROLLER SPACER	2
8	45-7183	SQUEEGEE CASTER BRACKET (LH)	1
9	45-7184	SQUEEGEE CASTER BRACKET (RH)	1
10	H-70860	NYLOK 1/4"- 20 SS	4
11*	H-70861	NYLOK 5/16" - 18 SS	2
12	H-70862	NYLOK 3/8"-16 SS	1
13	H-74397	CB 1/4"- 20 X 2-1/4" SS	4
14*	H-74401	CB 5/16"- 18 X 1-3/4" SS	2
15	H-74437	CB 3/8"- 16 X 1-1/4" SS	1
16	H-74441	CB 3/8"- 16 X 3.0" SS	1

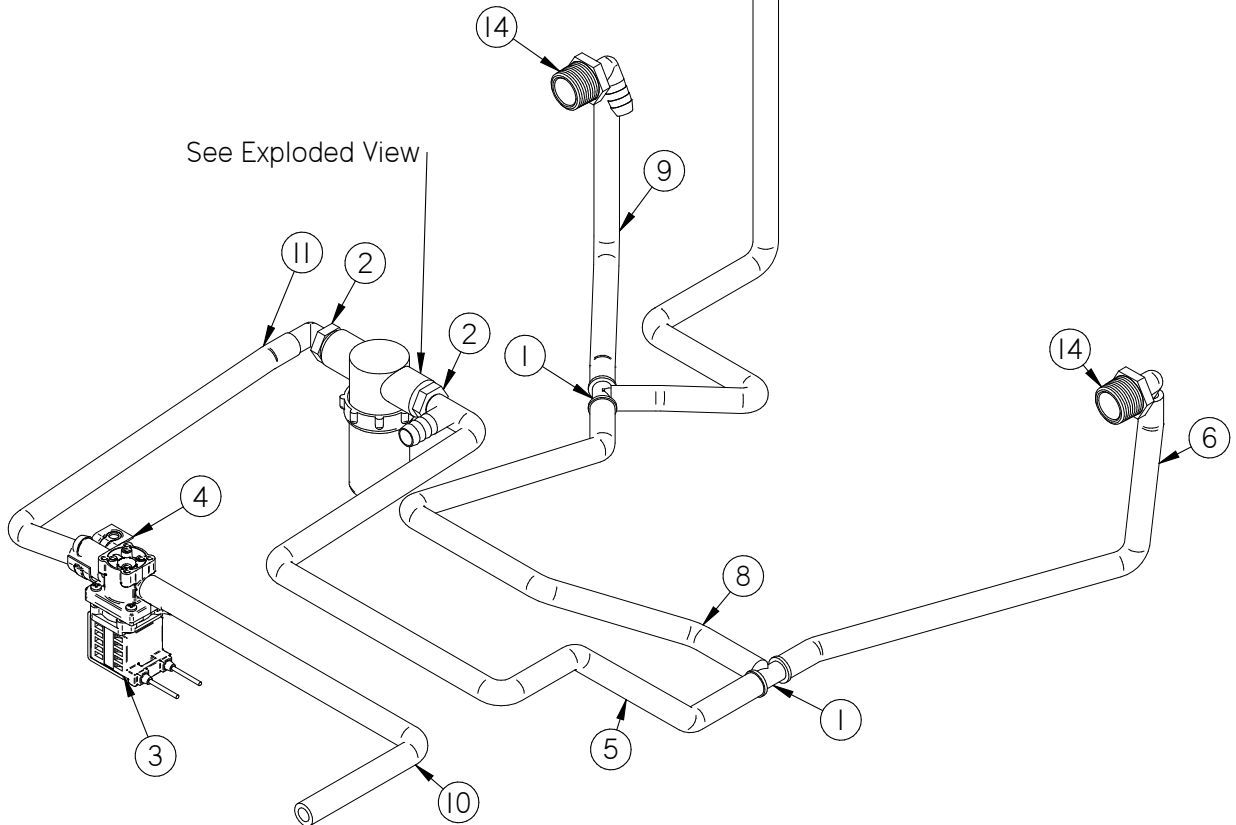
To Order Whole Assembly Use
Part #: 175-9130



Item	Part No.	Part Description	Qty.
1	175-9130C	Filter Cap	1
2	175-91300R	Filter O-Ring	1
3	175-9130S	Black Filter Screen (40 mesh)	1

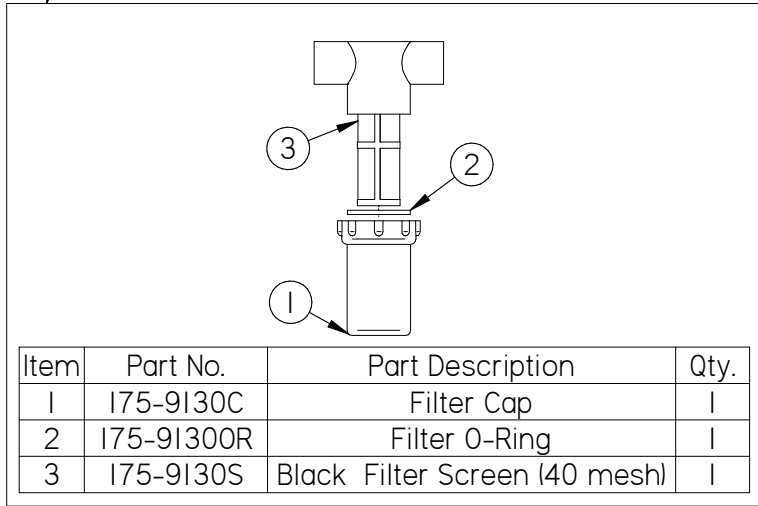


Hose sold by the foot

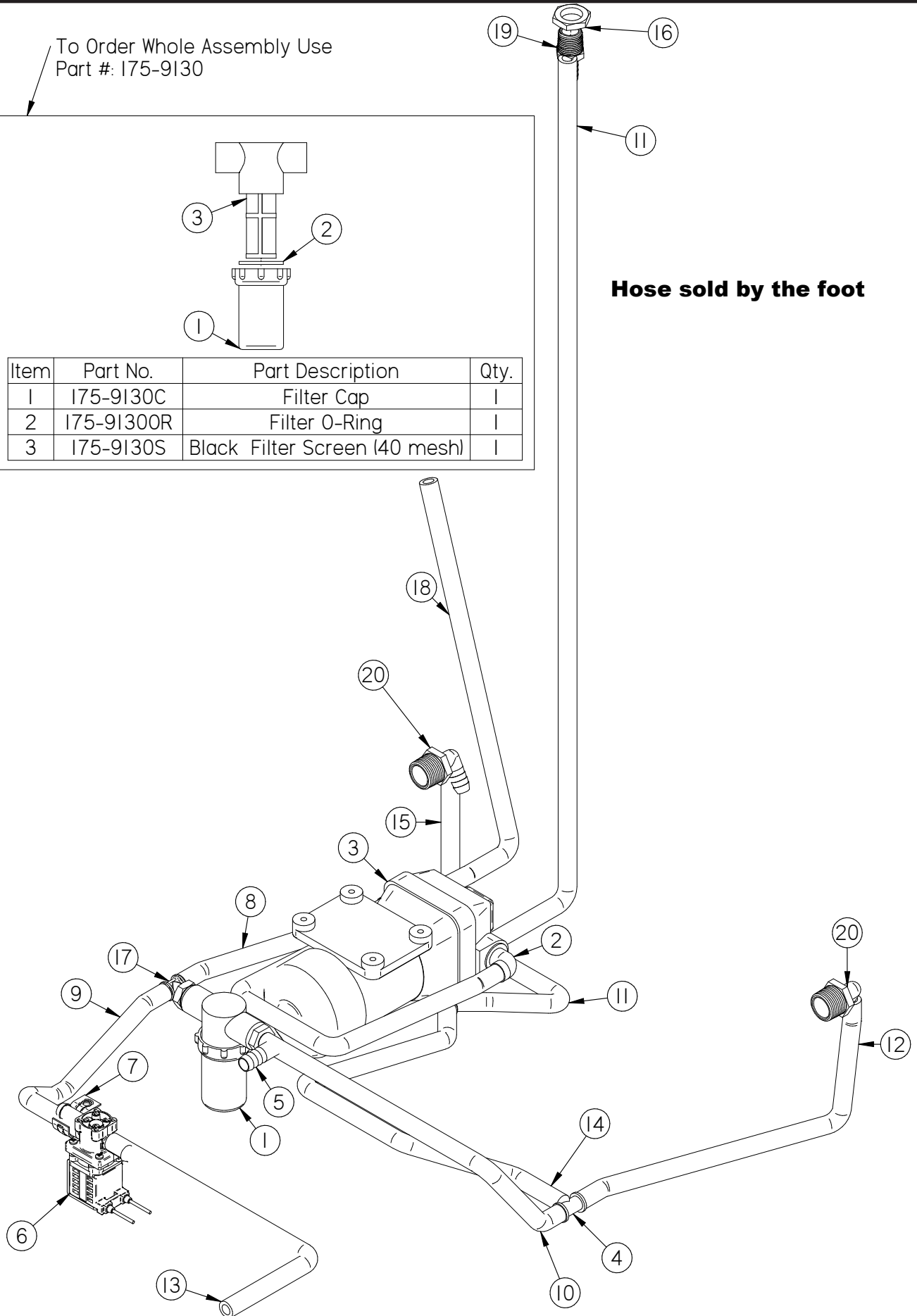


Item	Part No.	Part Description	Qty.
1	5-446	1/2 " PLASTIC BARB TEE	2
2	5-447	1/2 NPT X 1/2" BARB ELBOW	3
3	650-4500	36V VALVE	1
4	H-0701890	1/2in Hose Tube Clamp (3/4in Dia)	1
5	H-53933	Wire Reinforced Clear PVC 1/2"ID 3/4"OD Tubing	1
6	H-53933	Wire Reinforced Clear PVC 1/2"ID 3/4"OD Tubing	1
7	H-53933	Wire Reinforced Clear PVC 1/2"ID 3/4"OD Tubing	1
8	H-53933	Wire Reinforced Clear PVC 1/2"ID 3/4"OD Tubing	1
9	H-53933	Wire Reinforced Clear PVC 1/2"ID 3/4"OD Tubing	1
10	H-53933	Wire Reinforced Clear PVC 1/2"ID 3/4"OD Tubing	1
11	H-53933	Wire Reinforced Clear PVC 1/2"ID 3/4"OD Tubing	1
12	H-68600	1/2" NPT BRASS NUT	1
13	M-5346K25	1/2 NPT X 1/2 BRASS BARBED HOSE FITTING	1
14	M-5463K516	ELBOW, NYLON, 3/4" MALE NPT X 1/2" BARB	2

To Order Whole Assembly Use
Part #: 175-9130



Item	Part No.	Part Description	Qty.
1	175-9130C	Filter Cap	1
2	175-91300R	Filter O-Ring	1
3	175-9130S	Black Filter Screen (40 mesh)	1

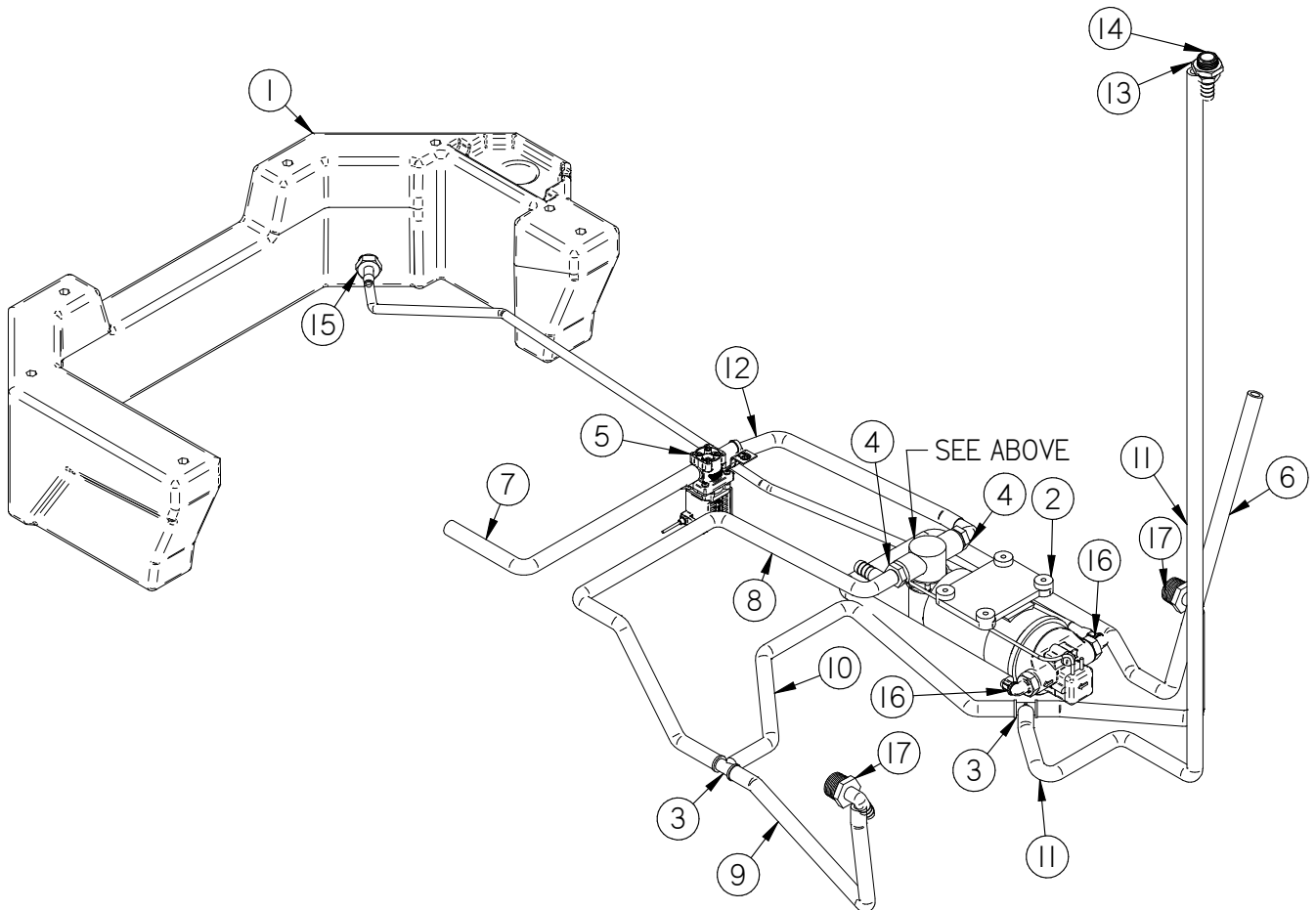
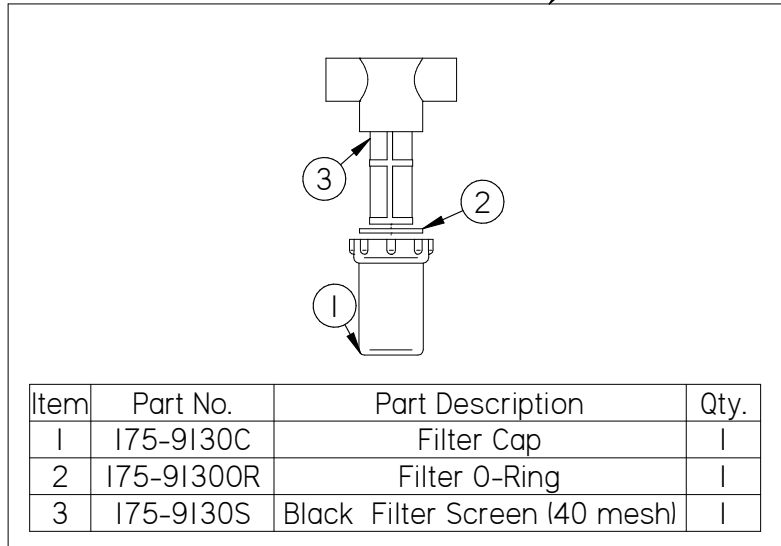


Hose sold by the foot

Item	Part No.	Part Description	Qty.
1	175-9130	INLINE FILTER	1
2	21-1601	1/2" BARBED ELBOW (PLASTIC)	1
3	430-8910	PUMP, WATER JET, 36V	1
4	5-446	1/2 " PLASTIC BARB TEE	2
5	5-447	1/2 NPT X 1/2" BARB ELBOW	1
6	650-4500	36V VALVE	1
7	H-0701890	1/2in Hose Tube Clamp (3/4in Dia)	1
8	H-53933	Wire Reinforced Clear PVC 1/2"ID 3/4"OD Tubing	1
9	H-53933	Wire Reinforced Clear PVC 1/2"ID 3/4"OD Tubing	1
10	H-53933	Wire Reinforced Clear PVC 1/2"ID 3/4"OD Tubing	1
11	H-53933	Wire Reinforced Clear PVC 1/2"ID 3/4"OD Tubing	1
12	H-53933	Wire Reinforced Clear PVC 1/2"ID 3/4"OD Tubing	1
13	H-53933	Wire Reinforced Clear PVC 1/2"ID 3/4"OD Tubing	1
14	H-53933	Wire Reinforced Clear PVC 1/2"ID 3/4"OD Tubing	1
15	H-53933	Wire Reinforced Clear PVC 1/2"ID 3/4"OD Tubing	1
16	H-68600	1/2" NPT BRASS NUT	1
17	H-925072329	Plastic, Inline Tee, for .5 Tube ID x .5 NPT Male	1
18	M-5288K13GR	Cloth Reinforced Green Rubber 1/2"ID 3/4"OD Tubing	1
19	M-5346K25	1/2 NPT X 1/2 BRASS BARBED HOSE FITTING	1
20	M-5463K516	ELBOW, NYLON, 3/4" MALE NPT X 1/2" BARB	2

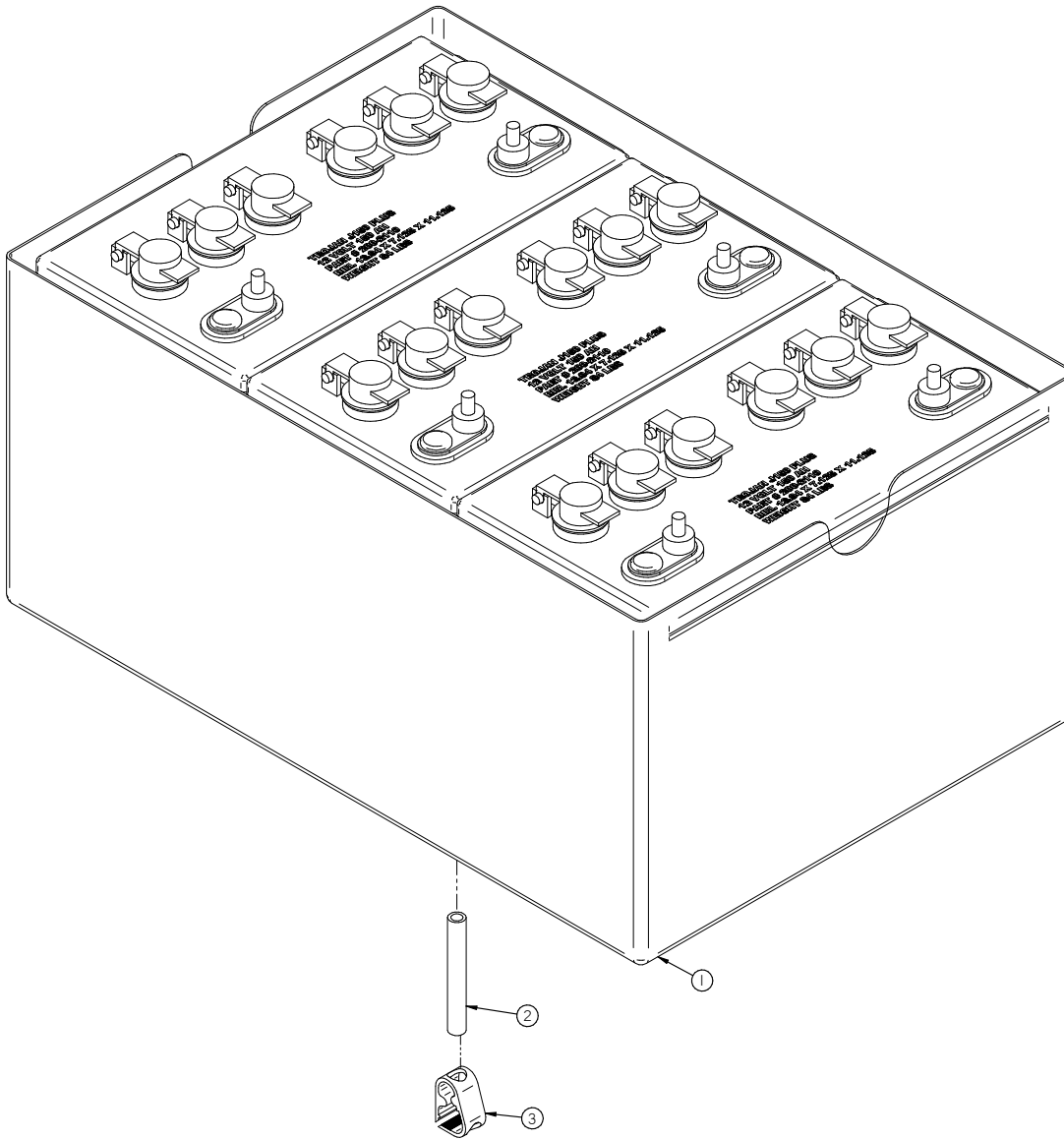
Hose sold by the foot

To Order Whole Assembly Use
Part #: 175-9130



Item	Part No.	Part Description	Qty.
1	211-4030	FRONT TANK	1
2	370-8910	PUMP, WATER JET 36V	1
3	5-446	1/2 " PLASTIC BARB TEE	2
4	5-447	1/2 NPT X 1/2" BARB ELBOW	2
5	650-4500	36V VALVE	1
6	H-53933	Wire Reinforced Clear PVC 1/2"ID 3/4"OD Tubing	1
7	H-53933	Wire Reinforced Clear PVC 1/2"ID 3/4"OD Tubing	1
8	H-53933	Wire Reinforced Clear PVC 1/2"ID 3/4"OD Tubing	1
9	H-53933	Wire Reinforced Clear PVC 1/2"ID 3/4"OD Tubing	1
10	H-53933	Wire Reinforced Clear PVC 1/2"ID 3/4"OD Tubing	1
11	H-53933	Wire Reinforced Clear PVC 1/2"ID 3/4"OD Tubing	1
12	H-53933	Wire Reinforced Clear PVC 1/2"ID 3/4"OD Tubing	1
13	H-68600	1/2" NPT BRASS NUT	1
14	M-5346K25	1/2 NPT X 1/2 BRASS BARBED HOSE FITTING	1
15	M-5463K461	.50 NPT X .375 BARB	1
16	M-5463K505	.375 BARB X .50 NPT MALE	2
17	M-5463K516	ELBOW, NYLON, 3/4" MALE NPT X 1/2" BARB	2

Item	Part No.	Part Description	Qty.
1	211-0001	BATTERY TRAY	1
2	253-1608	BLACK HOSE, 3-1/4" LG	1
3	M-503IK12	CLAMP STYLE PINCH VALVE	1



WHICH BATTERY CHARGER TO USE WITH BATTERY SELECTION				
QTY.	PART NUMBER	DESCRIPTION	STANDARD/OPTIONAL	ONBOARD CHARGER
3	260-3109	12V 130AH WET TROJAN	STANDARD	260-2460
3	200-2110	12V 150AH WET TROJAN	OPTION	260-2460
3	170-3121	12V 150AH AGM USBATTERY	OPTION	260-2460
2 or 4	600-3210	36V 450AH LITHIUM	OPTION	260-2460

ROUND DISK BRUSHES:

NOTICE

The ## in Disk Column Denotes Desk Pad Size: 13" or 20"

BRUSHES	DISK	LEVEL
Midi Grit	382-##C	Medium
Light Grit	382-##PS	Moderate
Nylon	382-##N	Light
Pad Driver	382-##D	
Pad Driver Pad Retainer	#40-433	
Pad Driver Spring Clip	#40-423	

ROUND DISK PADS:

NOTICE

The ## in Disk Column Denotes Desk Pad Size: 13" or 20"

DISK PADS	DISK	LEVEL	COLOR
Super Black	##-422BB	Very High	Black
Black	##-422B	High	Black
Brown	##-422BR	High	Brown
Green	##-422G	Medium	Green
Blue	##-422BL	Moderate	Blue
Red	##-422R	Moderate	Red
White	##-422W	Light	White

SQUEEGEE BLADE KITS & COMPLETE SQUEEGEE ASSEMBLIES:

SQUEEGEE SIZE	20" DECK	26" DECK	24" Orbital	28" Orbital
28" Squeegee	Standard	Standard	Standard	Optional
31" Squeegee	Optional	Optional	Optional	Standard
33" Squeegee	Optional	Optional	Optional	Optional

SQUEEGEE SIZE	LINATEX BLADE KIT	URETHANE BLADE KIT	NANORADE BLADE KIT	COMPLETE SQUEEGEE ASSEMBLIES
28" Squeegee	428-721L	428-721U	428-721N	228-9180
31" Squeegee	431-721L	431-721U	431-721N	231-9180
33" Squeegee	433-721L	433-721U	433-721N	233-9180

SQUEEGEE MATERIAL:	USED FOR:
LINATEX	Provides best wear and tear resistance. Not designed for use with harsh chemicals.
URETHANE	Provides best resistance when dealing with harsh chemicals, oils, fuels, etc.
NANORADE	Increased durability, optimal water pick up and reduced friction.

NOTICE

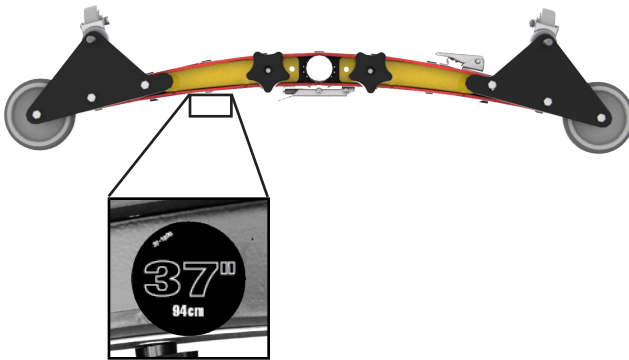
Squeegee blade kits include (1) Rear Blade, (1) Front Blade, and (2) Caster Wheels with hardware.

NOTICE

Squeegee Assemblies (complete) listed above all come with Linatex blades.

NOTICE

Size is denoted by label on top squeegee.



BLANK

THIS PAGE WAS INTENTIONALLY LEFT BLANK

FACTORYCAT[®]

1711 South Street
Racine, WI 53404
www.factorycat.com
262-681-4060