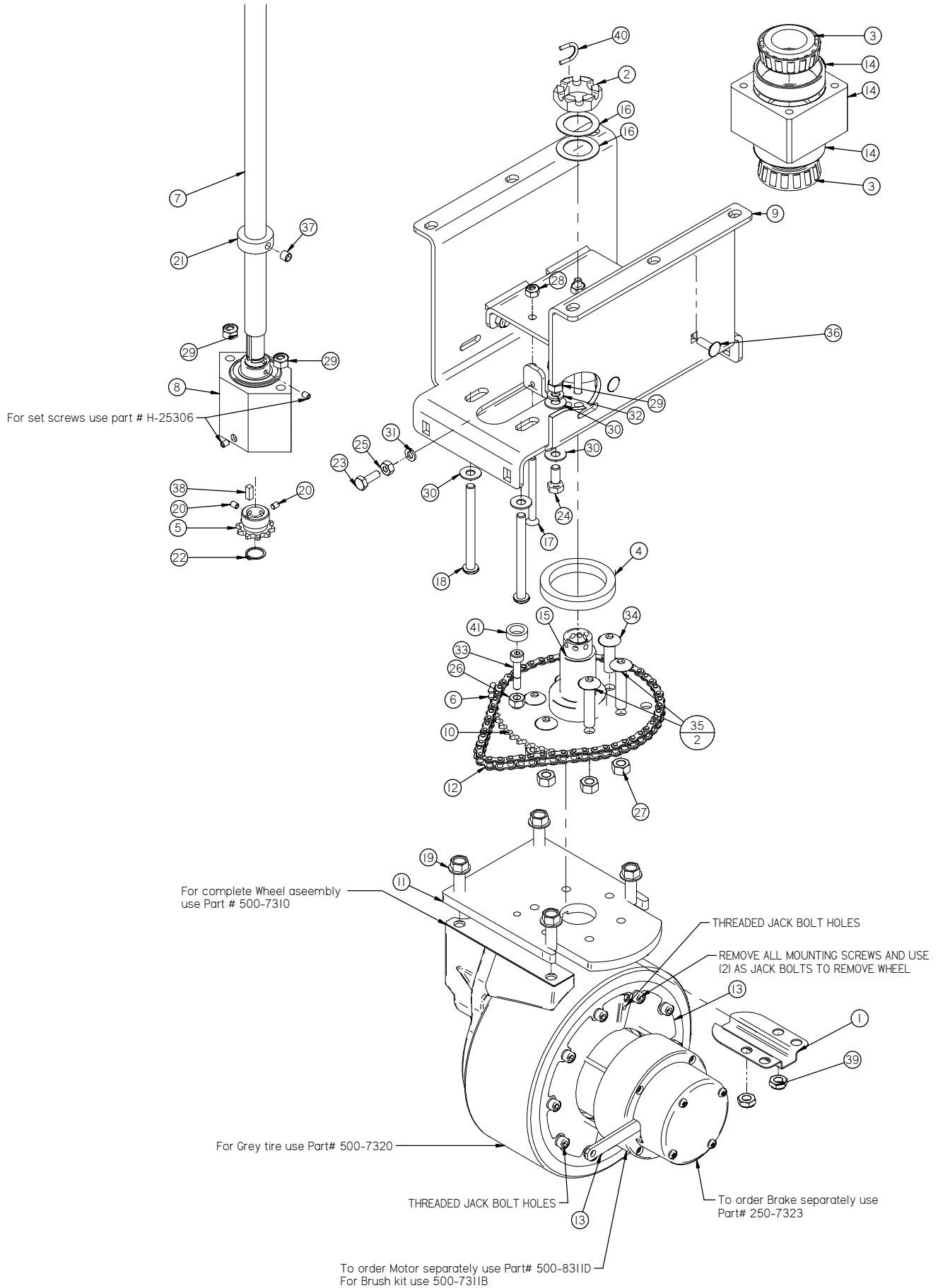


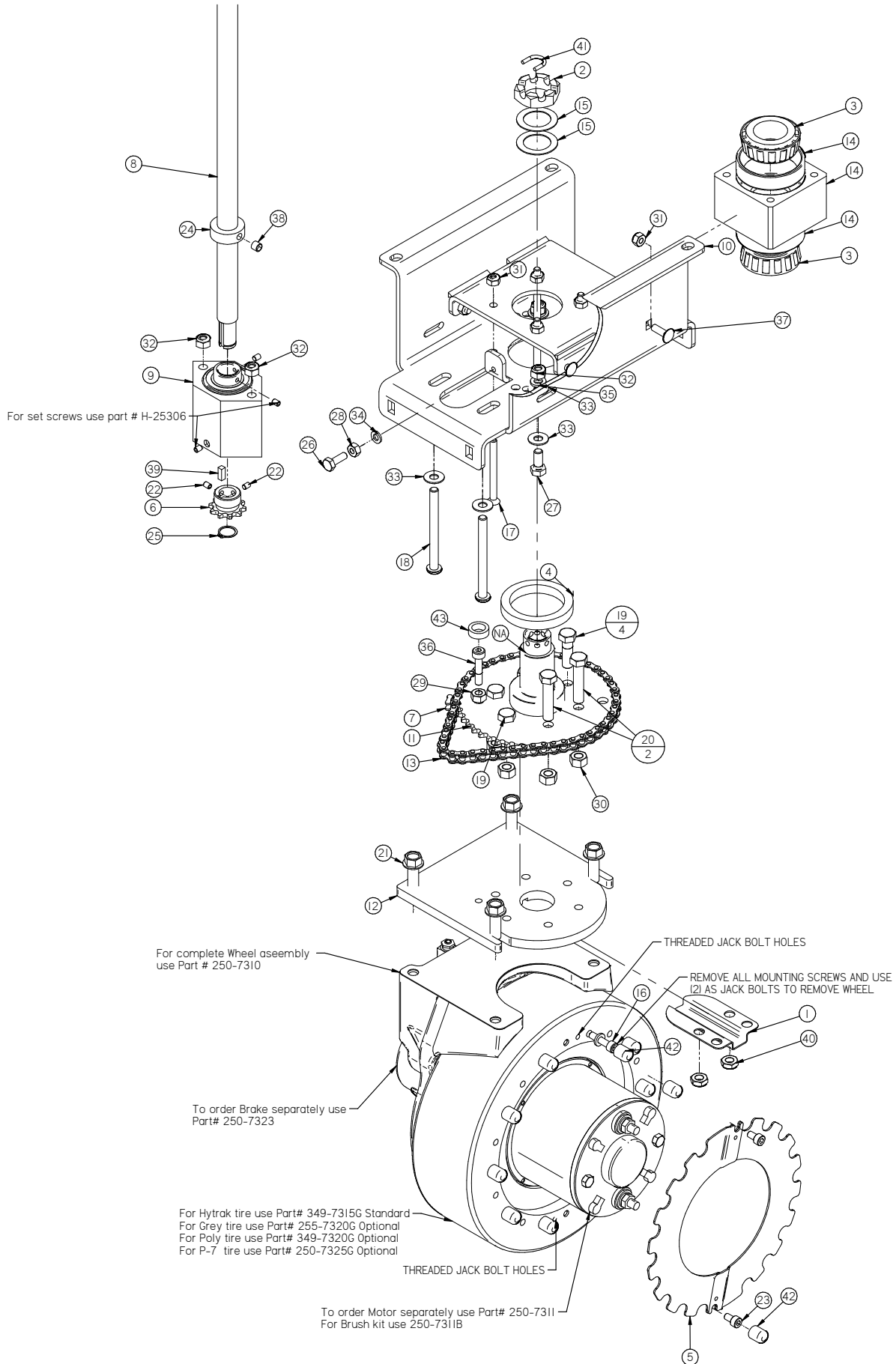
8 Inch Front Wheel Assembly.....	4
10 Inch Front Wheel Assembly.....	6
Solution System.....	8
Solution & SprayJet.....	9
Disk Decks.....	10
Scrubdeck Actuator Lift.....	11
Disk Deck Shrouds.....	12
Cylindrical Deck Side Wipers.....	13
Inch Cylindrical Deck.....	14
Cylindrical Deck Idler Doors.....	16
Orbital Deck Wipers.....	17
Orbital Deck Lift Arms.....	18
Swing Squeegee Drag Plate.....	20
Fixed Squeegee Drag Plate.....	21
Squeegee Trail Arm and Rear Axle.....	22
Central Command / Steering Upright.....	23
Steering Upright.....	24
Legacy Central Command.....	25
Military Grade Central Command.....	27
Touch Screen Central Command.....	29
Attaching Tank and Batteries.....	31
Vacuum Muffler.....	32
Batteries and Charger Options.....	33
Solution Tank.....	34
Recovery Tank.....	35
Zero3 System.....	36
Solution Hoses.....	37
Squeegees.....	38
Common Wear Parts.....	39
Decals.....	41
Schematics - Legacy.....	42
Schematics - Touch Screen.....	43
Schematics - Military.....	44

8 Inch Front Wheel Assembly



8 Inch Front Wheel Assembly

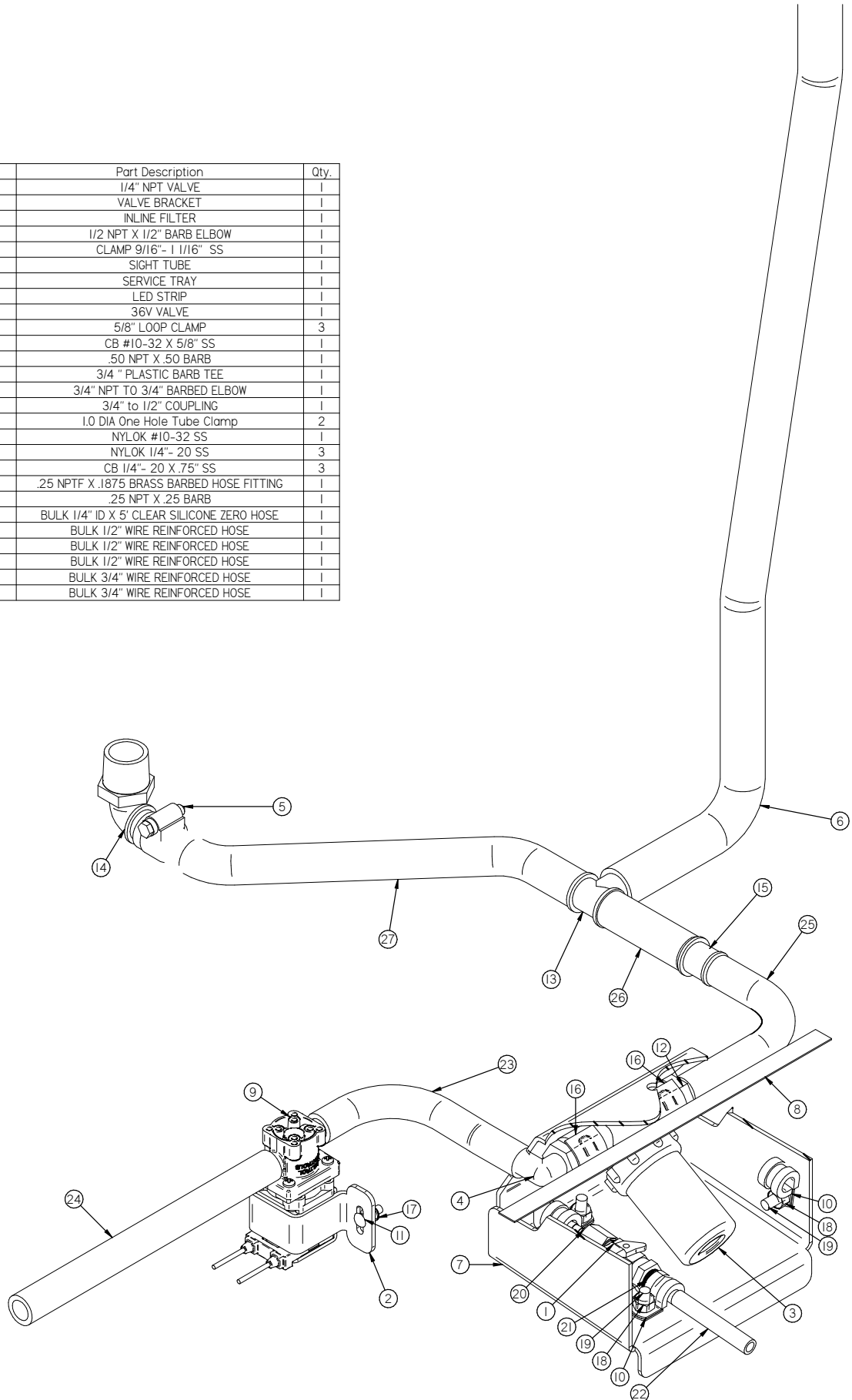
Item	Part No.	Part Description	Qty.
1	250-7328	WIRE GUIDE	1
2	37-7321	SLOTTED NUT, 2.0 - 12	1
3	370-7317	TAPERED ROLLER BEARING	2
4	370-8374	BEARING SEAL	1
5	5-826	10 TOOTH SPROCKET 5/8 SHAFT	1
6	5-831	MASTER LINK	1
7	500-7121	STEERING SHAFT, LOWER 8 inch	1
8	500-7231A	BEARING W/HOUSING	1
9	500-7312	FRONT DRIVE DROP PLATE (8")	1
10	500-7314	48 TOOTH STEERING SPROCKET	1
11	500-7325	8 inch PIVOT PLATE	1
12	500-7327	48 TOOTH STEERING CHAIN	1
13	500-9557	DRIVE GUARD (8")	2
14	600-7230A	BEARING BLOCK ASSEMBLY	1
15	600-7332	STEERING SPINDLE	1
16	8-713	1 1/2" THRUST WASHER	2
17	H-0170132	FHP 1/4"- 20 X 2-3/4"	4
18	H-0171294	BHSCS 5/16-18 X 3.5	2
19	H-11115680	FB CASHD M10-1.5 X 30mm	4
20	H-25306	SSS CP #10-32 X 1/4"	2
21	H-33376	SHAFT COLLAR, 3/4" ID X 9/16 LG	1
22	H-68013	SNAPRING	1
23	H-70003	HCS 1/4"-20 X 3/4" SS	1
24	H-70053	HCS 5/16"- 18 X 3/4" SS	2
25	H-70710	HN 1/4"- 20 SS	1
26	H-70711	HN 5/16"- 18 SS	1
27	H-70712	HN 3/8"-16 SS	6
28	H-70860	NYLOK 1/4"- 20 SS	8
29	H-70861	NYLOK 5/16" - 18 SS	4
30	H-71015	FW 5/16 ID X 3/4 OD SS	6
31	H-71063	LW 1/4" SS	1
32	H-71065	LW 5/16" SS	2
33	H-73496	SHCS 5/16-18 X 1-1/4 SS	1
34	H-73816	BHSCS 3/8"- 16 X 1-1/4" SS	4
35	H-73818	BHSCS 3/8"- 16 X 1-3/4" S/S	2
36	H-74419	CB 1/4"- 20 X .75" SS	4
37	H-81983	5/16" X 1/4" KURL SET SCREW	1
38	H-K1432	3/16" X 1/2" KEY	1
39	H-NJ06C	JNYL 3/8- 16 SS	2
40	M-938IT24	S-HOOK	1
41	T-050R0025	CLEAR TUBING	1



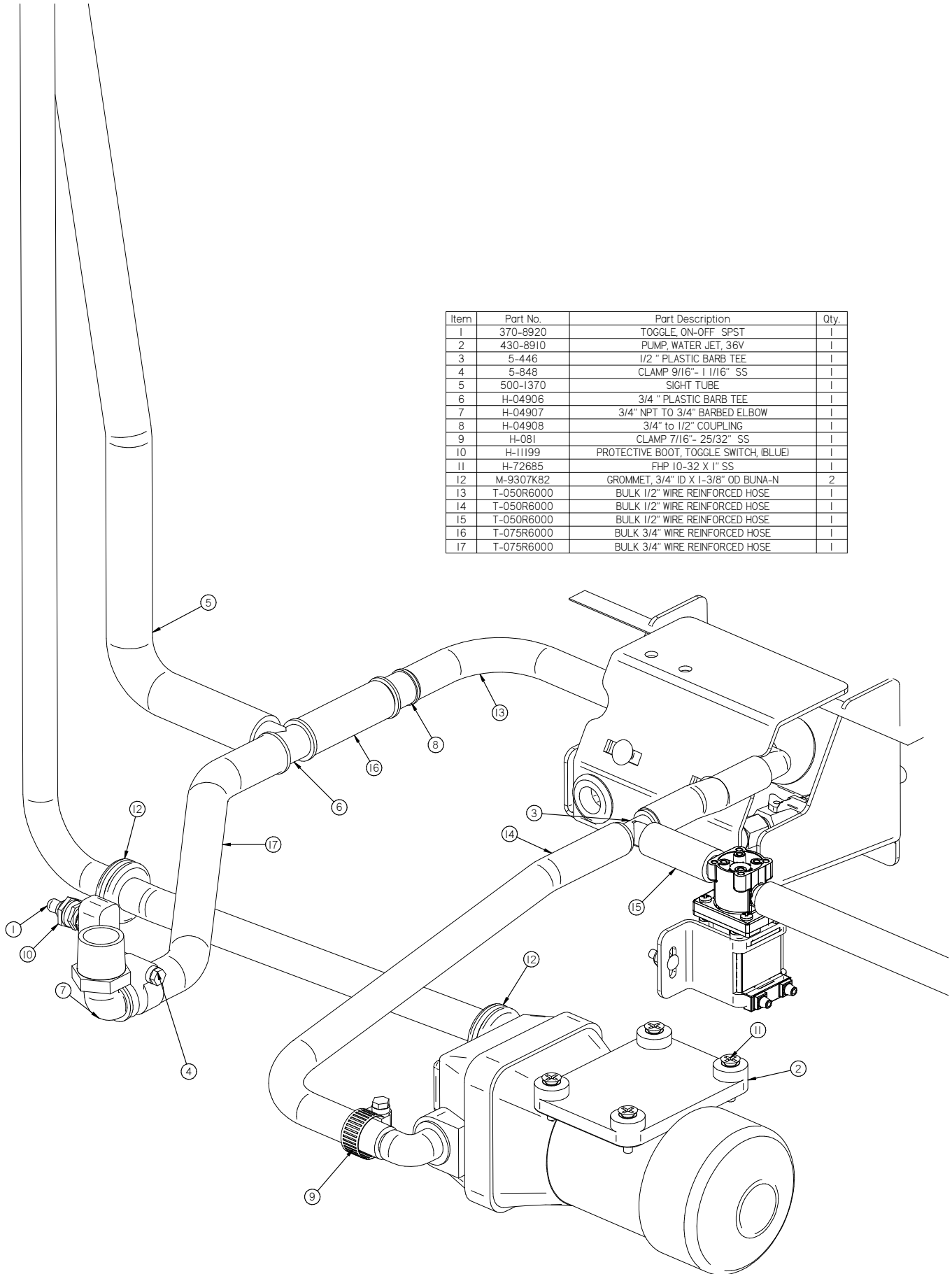
10 Inch Front Wheel Assembly

Item	Part No.	Part Description	Qty.
1	250-7328	WIRE GUIDE	1
2	37-7321	SLOTTED NUT, 2.0 - 12	1
3	370-7317	TAPERED ROLLER BEARING	2
4	370-8374	BEARING SEAL	1
5	370-9557	DRIVE GUARD	2
6	5-826	10 TOOTH SPROCKET 5/8 SHAFT	1
7	5-831	MASTER LINK	1
8	500-7120	10" LOWER STEERING SHAFT	1
9	500-7231A	BEARING W/HOUSING	1
10	500-7311	FRONT DRIVE DROP PLATE (10")	1
11	500-7314	48 TOOTH STEERING SPROCKET	1
12	500-7326	10" PIVOT PLATE	1
13	500-7327	48 TOOTH STEERING CHAIN	1
14	600-7230A	BEARING BLOCK ASSEMBLY	1
15	8-713	1 1/2" THRUST WASHER	2
16	H-0135920	SHC M6-1 X 25 ZINK	10
17	H-0170132	FHP 1/4"- 20 X 2-3/4"	4
18	H-0171294	BHSCS 5/16-18 X 3.5	2
19	H-01728	HCS 3/8"- 24 X 1-1/4" SS	4
20	H-0172948	HCS 3/8"- 24 X 1-3/4" SS FULL THREADED	2
21	H-11115680	FB CASHD M10-1.5 X 30mm	4
22	H-25306	SSS CP #10-32 X 1/4"	2
23	H-2550010	SHCS M-6 X 10	2
24	H-33376	SHAFT COLLAR, 3/4" ID X 9/16 LG	1
25	H-68013	SNAPRING	1
26	H-70003	HCS 1/4"-20 X 3/4" SS	1
27	H-70053	HCS 5/16"- 18 X 3/4" SS	2
28	H-70710	HN 1/4"- 20 SS	1
29	H-70711	HN 5/16"- 18 SS	1
30	H-70712	HN 3/8"-16 SS	6
31	H-70860	NYLOK 1/4"- 20 SS	8
32	H-70861	NYLOK 5/16" - 18 SS	4
33	H-71015	FW 5/16 ID X 3/4 OD SS	6
34	H-71063	LW 1/4" SS	1
35	H-71065	LW 5/16" SS	2
36	H-73496	SHCS 5/16-18 X 1-1/4 SS	1
37	H-74419	CB 1/4"- 20 X .75" SS	4
38	H-81983	5/16" X 1/4" KURL SET SCREW	1
39	H-K1432	3/16" X 1/2" KEY	1
40	H-NJ06C	JNYL 3/8- 16 SS	2
41	M-9381T24	S-HOOK	1
42	M-9753K16	VINYL CAP, 1/2"	12
43	T-050R0025	CLEAR TUBING	1

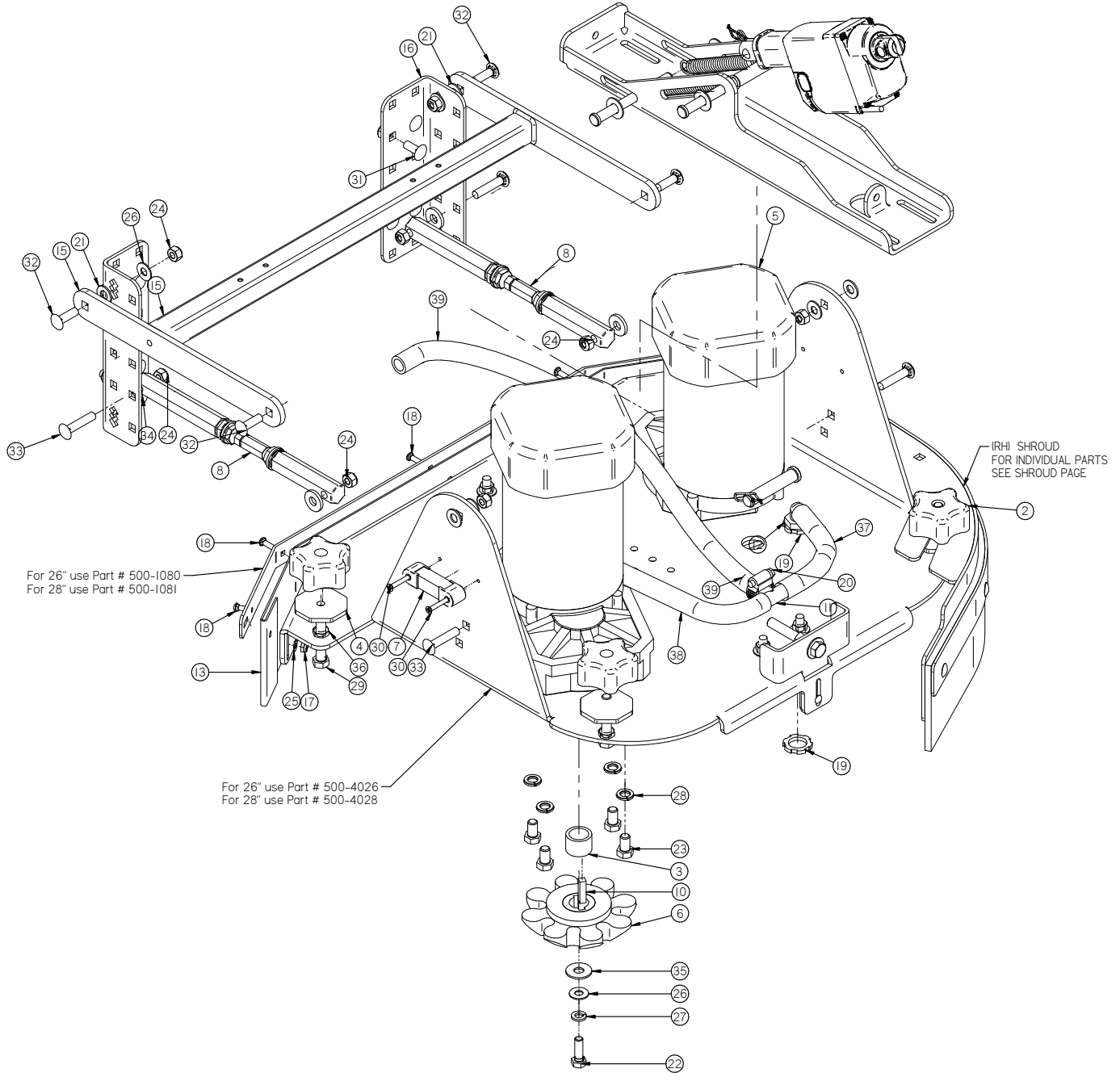
Item	Part No.	Part Description	Qty.
1	170-4158	1/4" NPT VALVE	1
2	175-5280	VALVE BRACKET	1
3	175-9130	INLINE FILTER	1
4	5-447	1/2 NPT X 1/2" BARB ELBOW	1
5	5-848	CLAMP 9/16"- 1 1/16" SS	1
6	500-1370	SIGHT TUBE	1
7	500-9141	SERVICE TRAY	1
8	650-2300	LED STRIP	1
9	650-4500	36V VALVE	1
10	H-0127292	5/8" LOOP CLAMP	3
11	H-0172519	CB #10-32 X 5/8" SS	1
12	H-04788	.50 NPT X .50 BARB	1
13	H-04906	3/4 " PLASTIC BARB TEE	1
14	H-04907	3/4" NPT TO 3/4" BARBED ELBOW	1
15	H-04908	3/4" to 1/2" COUPLING	1
16	H-44562	1.0 DIA One Hole Tube Clamp	2
17	H-70858	NYLOK #10-32 SS	1
18	H-70860	NYLOK 1/4"- 20 SS	3
19	H-74419	CB 1/4"- 20 X 7.5" SS	3
20	M-5346K51	.25 NPTF X .1875 BRASS BARBED HOSE FITTING	1
21	M-5463K445	.25 NPT X .25 BARB	1
22	M-9117T2G	BULK 1/4" ID X 5' CLEAR SILICONE ZERO HOSE	1
23	T-050R6000	BULK 1/2" WIRE REINFORCED HOSE	1
24	T-050R6000	BULK 1/2" WIRE REINFORCED HOSE	1
25	T-050R6000	BULK 1/2" WIRE REINFORCED HOSE	1
26	T-075R6000	BULK 3/4" WIRE REINFORCED HOSE	1
27	T-075R6000	BULK 3/4" WIRE REINFORCED HOSE	1



Solution & SprayJet

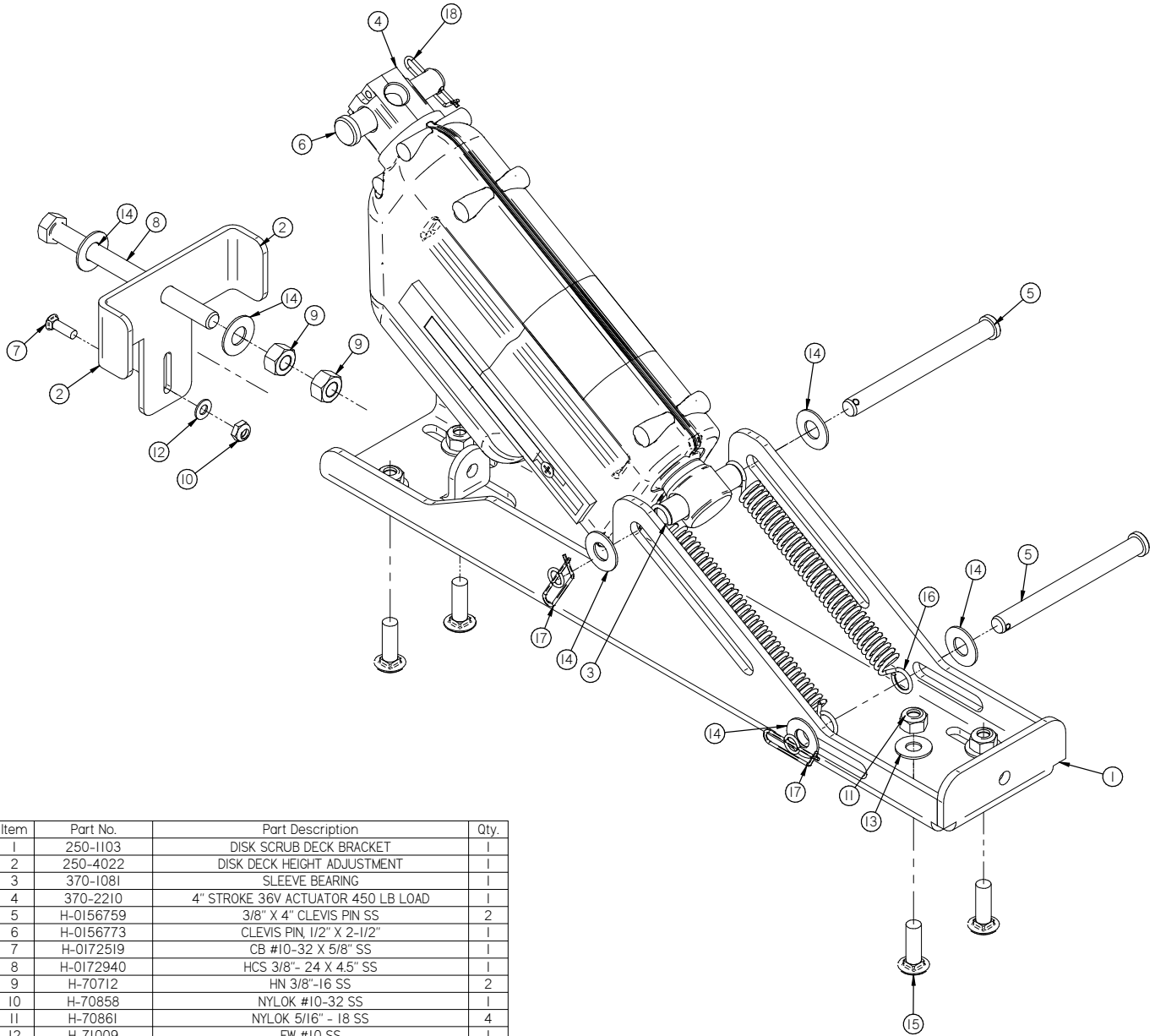


Item	Part No.	Part Description	Qty.
1	370-8920	TOGGLE, ON-OFF, SPST	1
2	430-8910	PUMP, WATER JET, 36V	1
3	5-446	1/2" PLASTIC BARB TEE	1
4	5-848	CLAMP 9/16"- 1 1/16" SS	1
5	500-1370	SIGHT TUBE	1
6	H-04906	3/4" PLASTIC BARB TEE	1
7	H-04907	3/4" NPT TO 3/4" BARBED ELBOW	1
8	H-04908	3/4" to 1/2" COUPLING	1
9	H-081	CLAMP 7/16"- 25/32" SS	1
10	H-11199	PROTECTIVE BOOT, TOGGLE SWITCH, (BLUE)	1
11	H-72685	FHP 10-32 X 1" SS	1
12	M-9307K82	GROMMET, 3/4" ID X 1-3/8" OD BUNA-N	2
13	T-050R6000	BULK 1/2" WIRE REINFORCED HOSE	1
14	T-050R6000	BULK 1/2" WIRE REINFORCED HOSE	1
15	T-050R6000	BULK 1/2" WIRE REINFORCED HOSE	1
16	T-075R6000	BULK 3/4" WIRE REINFORCED HOSE	1
17	T-075R6000	BULK 3/4" WIRE REINFORCED HOSE	1

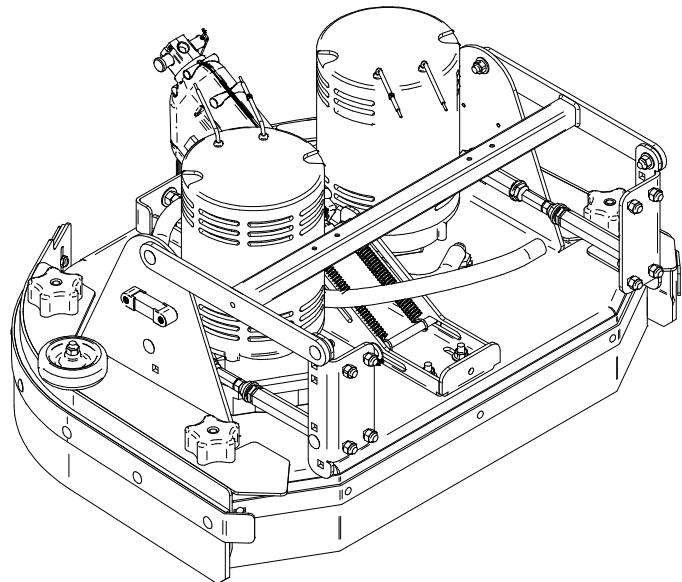


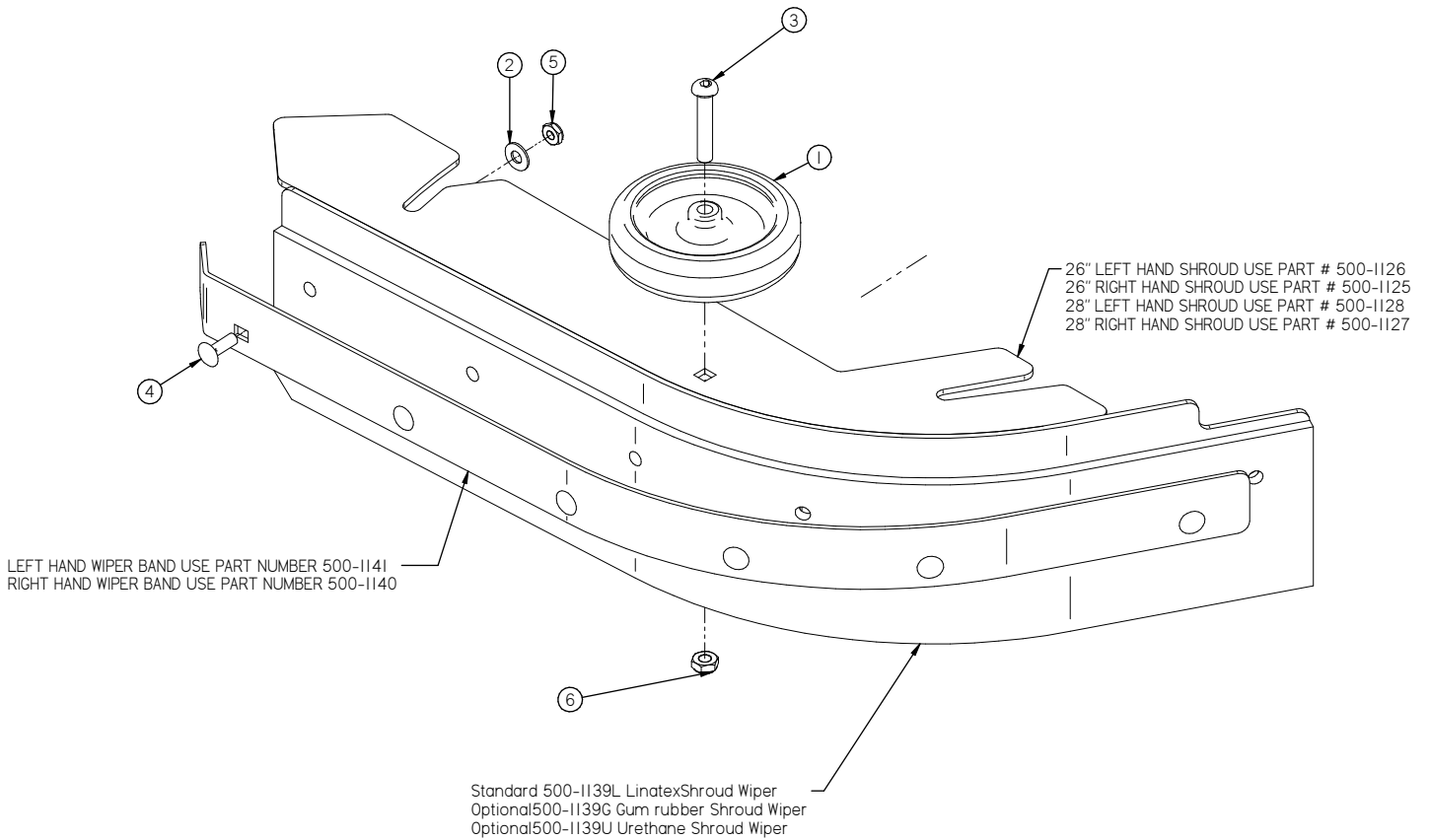
Item	Part No.	Part Description	Qty.	Item	Part No.	Part Description	Qty.
1'			1	19	H-07005	1/2" NPT LOCKNUT	4
2	150-5786	STAR KNOB, 3/8-16 THREAD	4	20	H-081	CLAMP 7/16" - 25/32" SS	1
3	175-5005	DRIVER SPACER	2	21	H-4440024	FW 3/8" X 3/4 NYLON	4
4	250-1184	SHROUD ADJ. KNOB (3/8-16 THREAD)	4	22	H-70055	HCS 5/16" - 18 X 1" SS	2
5	250-201	MOTOR, 36V, 3/4 HP, 350 RPM	2	23	H-70140	HCS 3/8"-24 X 5/8" SS	8
6	264-5003	BRUSH DRIVER ROUNDED TOOTH	2	24	H-70861	NYLON 5/16" - 18 SS	16
7	300-4030	LEVEL	2	25	H-71009	FW #10 SS	5
8	300-8421	ADJUSTABLE LATERAL ARM	2	26	H-71015	FW 5/16 ID X 3/4 OD SS	6
9'	5-124	LATERAL ARM	1	27	H-71065	LW 5/16" SS	2
10	5-431	1/4" X 1" KEY	2	28	H-71067	LW 3/8" SS	8
11	5-446	1/2" PLASTIC BARB TEE	1	29	H-71190	HCS 3/8"- 16 X 2-1/2" SS (FULLY THREADED)	4
12	5-447	1/2 NPT X 1/2" BARB ELBOW	2	30	H-72645	FHP #8-32 X 1.0"	4
13	500-1164	26/28 FRONT DECK CURTAIN	1	31	H-74429	CB 5/16" - 18 X 3/4" SS	8
14'	500-9585	LIFT ARM CROSS BAR	1	32	H-74430	CB 5/16" - 18 X 1" SS	4
15	500-9586	26/28 INCH LATERAL ARM	1	33	H-74432	CB 5/16" - 18 X 1-1/2" SS	4
16	650-1265	SCRUB ARM BRACKET	2	34	H-98025	FW 3/8" GRADE 8	4
17	H-0129155	JNYL #10-32, 18-8 S/S	5	35	H-99001	FW 3/8" SS NOM ID .4375 X OD 1.0	2
18	H-0172519	CB #10-32 X 5/8" SS	5	36	H-NJ06C	JNYL 3/8- 16 SS	4
				37	T-050R0900	1/2"ID X 9"LG DECK HOSE	1
				38	T-050R1700	1/2"ID X 17"LG DECK HOSE	1
				39	T-050R3600	1/2"ID X 36"LG SOLUTION HOSE	1

Scrubdeck Actuator Lift

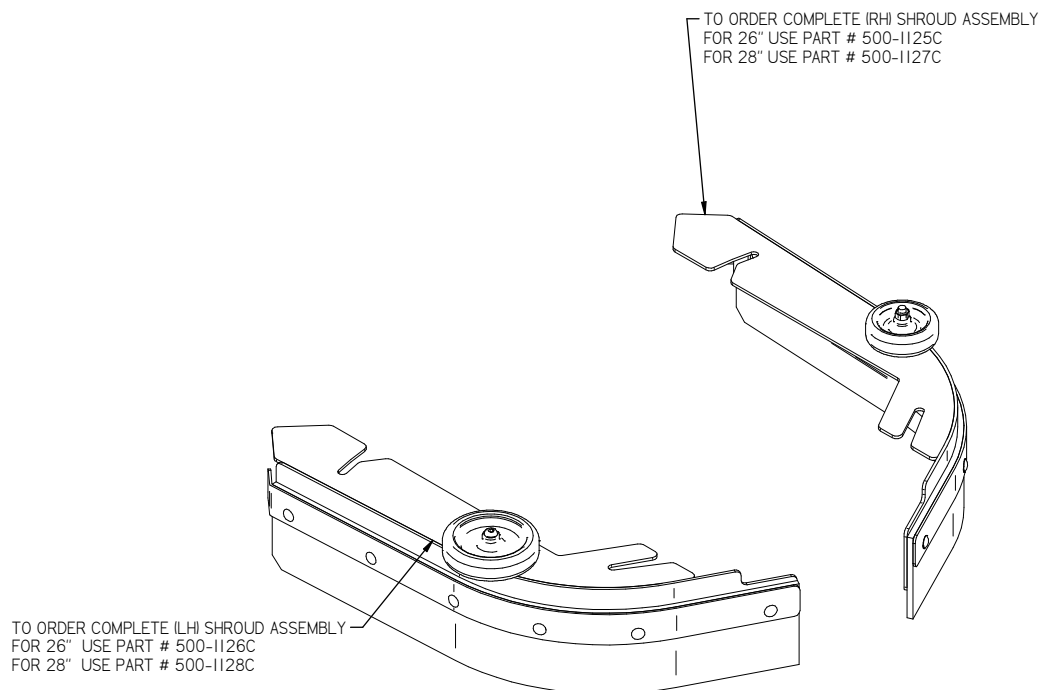


Item	Part No.	Part Description	Qty.
1	250-1103	DISK SCRUB DECK BRACKET	1
2	250-4022	DISK DECK HEIGHT ADJUSTMENT	1
3	370-1081	SLEEVE BEARING	1
4	370-2210	4" STROKE 36V ACTUATOR 450 LB LOAD	1
5	H-0156759	3/8" X 4" CLEVIS PIN SS	2
6	H-0156773	CLEVIS PIN, 1/2" X 2-1/2"	1
7	H-0172519	CB #10-32 X 5/8" SS	1
8	H-0172940	HCS 3/8"- 24 X 4.5" SS	1
9	H-70712	HN 3/8"-16 SS	2
10	H-70858	NYLOK #10-32 SS	1
11	H-70861	NYLOK 5/16" - 18 SS	4
12	H-71009	FW #10 SS	1
13	H-71015	FW 5/16 ID X 3/4 OD SS	4
14	H-71017	FW 3/8 ID X 7/8 OD SS	6
15	H-74430	CB 5/16"- 18 X 1" SS	4
16	H-96544	SPRING, 4-1/8" LG X 9/16" OD I42EJ	2
17	H-RUE14	3/8" RUE RING COTTER	2
18	H-RUE22	1/2" RUE RING COTTER	1

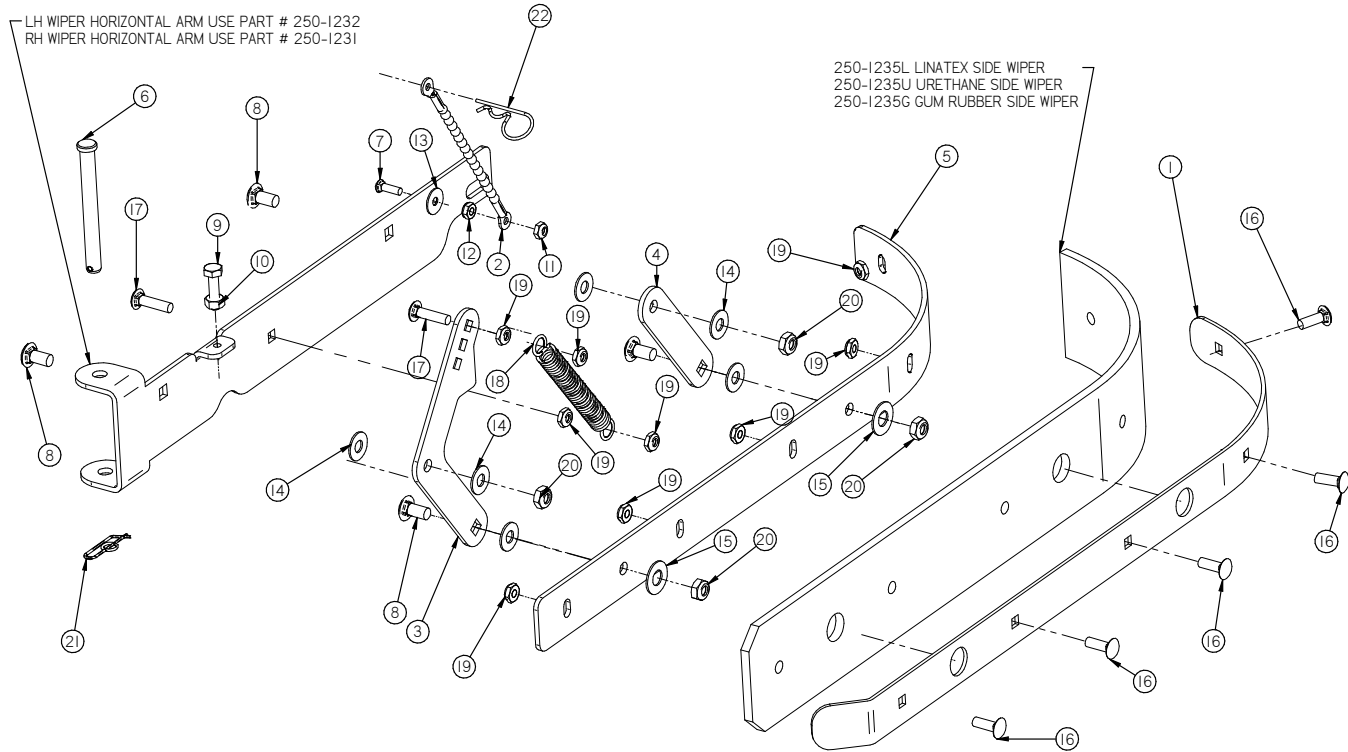




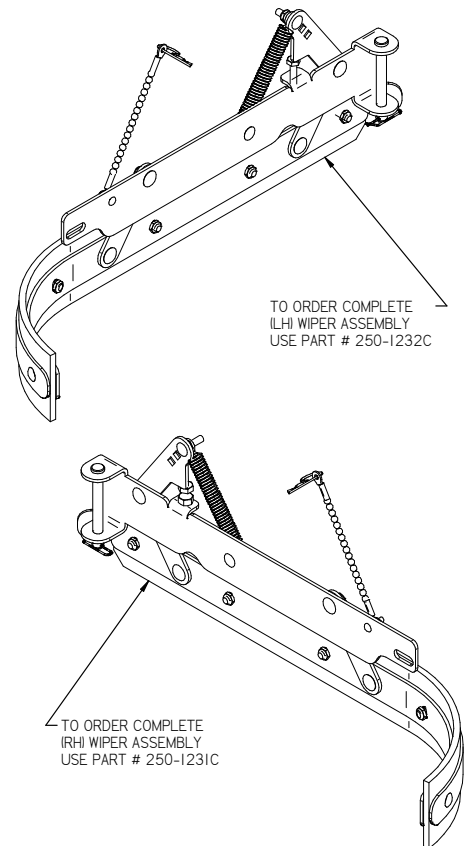
Item	Part No.	Part Description	Qty.
1	150-7600	4" SIDE WHEEL (GREY)	1
2	H-71013	FW 1/4 ID X 5/8 OD SS	6
3	H-73783	BHSCS 5/16-18 X 1.75	1
4	H-74419	CB 1/4" - 20 X .75" SS	6
5	H-NJ04C	JNYL 1/4" - 20 SS	6
6	H-NJ05C	JNYL 5/16" - 18 SS	1

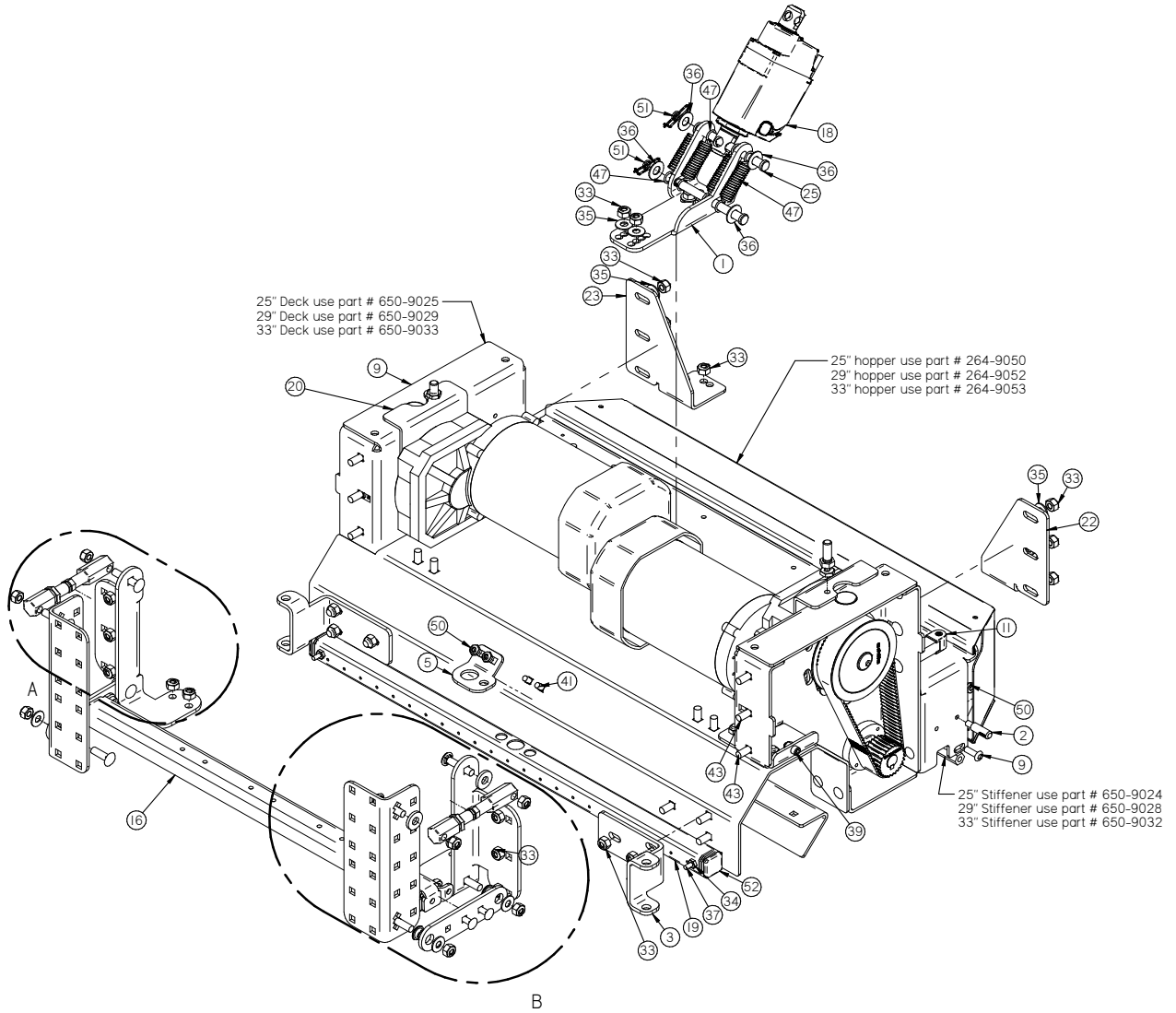


Cylindrical Deck Side Wipers

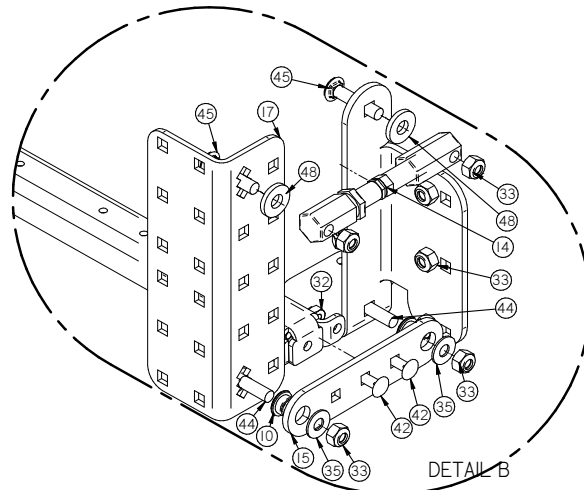
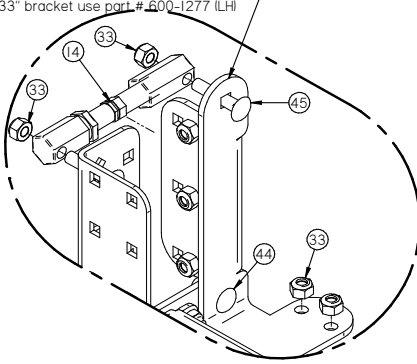


Item	Part No.	Part Description	Qty.
1	250-1236	WIPER BAND	1
2	370-4060	6" LANYARD	1
3	650-1243	SHROUD VERTICAL ARM	1
4	650-1244	WIPER VERTICAL ARM	1
5	650-1245	SHROUD SIDE	1
6	H-0156758	3/8" X 3-1/2" CLEVIS PIN	1
7	H-0172519	CB #10-32 X 5/8" SS	1
8	H-0172526	CB 5/16"- 18 X 5/8" SS	4
9	H-70005	HCS 1/4"- 20 X 1" SS	1
10	H-70710	HN 1/4"- 20 SS	1
11	H-70858	NYLOK #10-32 SS	1
12	H-70923	KN #10-32 SS	1
13	H-71010	FW #10 ID X 11/16 OD SS	1
14	H-71015	FW 5/16 ID X 3/4 OD SS	6
15	H-71017	FW 3/8 ID X 7/8 OD SS	2
16	H-74419	CB 1/4"- 20 X .75" SS	5
17	H-74420	CB 1/4"- 20 X 1.0" SS	2
18	H-96544	SPRING, 4-1/8" LG X 9/16" OD [42E]	1
19	H-NJ04C	JNYL 1/4" - 20 SS	9
20	H-NJ05C	JNYL 5/16"- 18 SS	4
21	H-RUE14	3/8" RUE RING COTTER	1
22	M-92391A044	HAIRPIN, 5/16" - 3/8" X 1-7/16" S/S	1

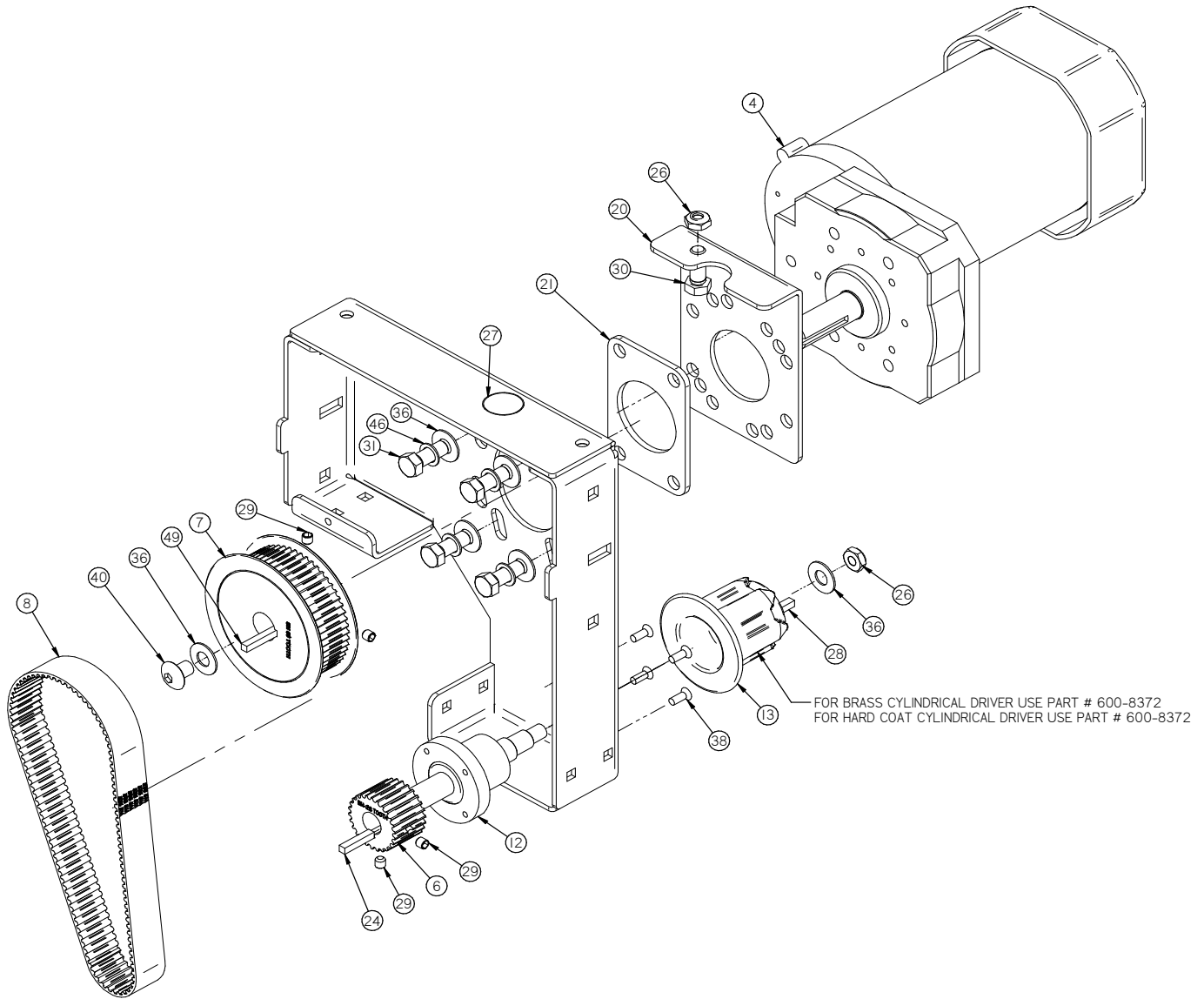




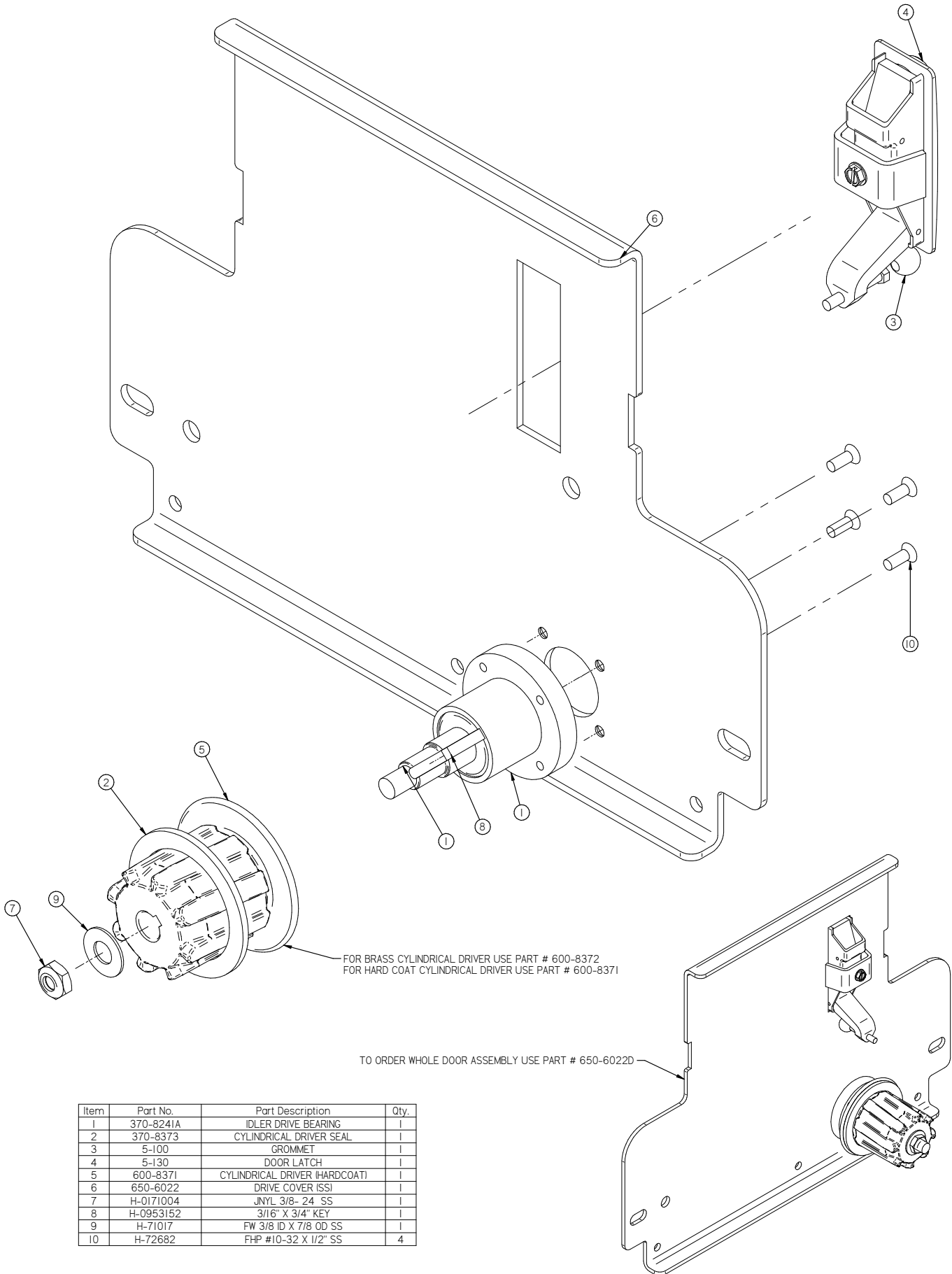
25" bracket use part # 600-1272 (RH)
25" bracket use part # 600-1273 (LH)
29" bracket use part # 600-1274 (RH)
29" bracket use part # 600-1275 (LH)
33" bracket use part # 600-1276 (RH)
33" bracket use part # 600-1277 (LH)



Inch Cylindrical Deck

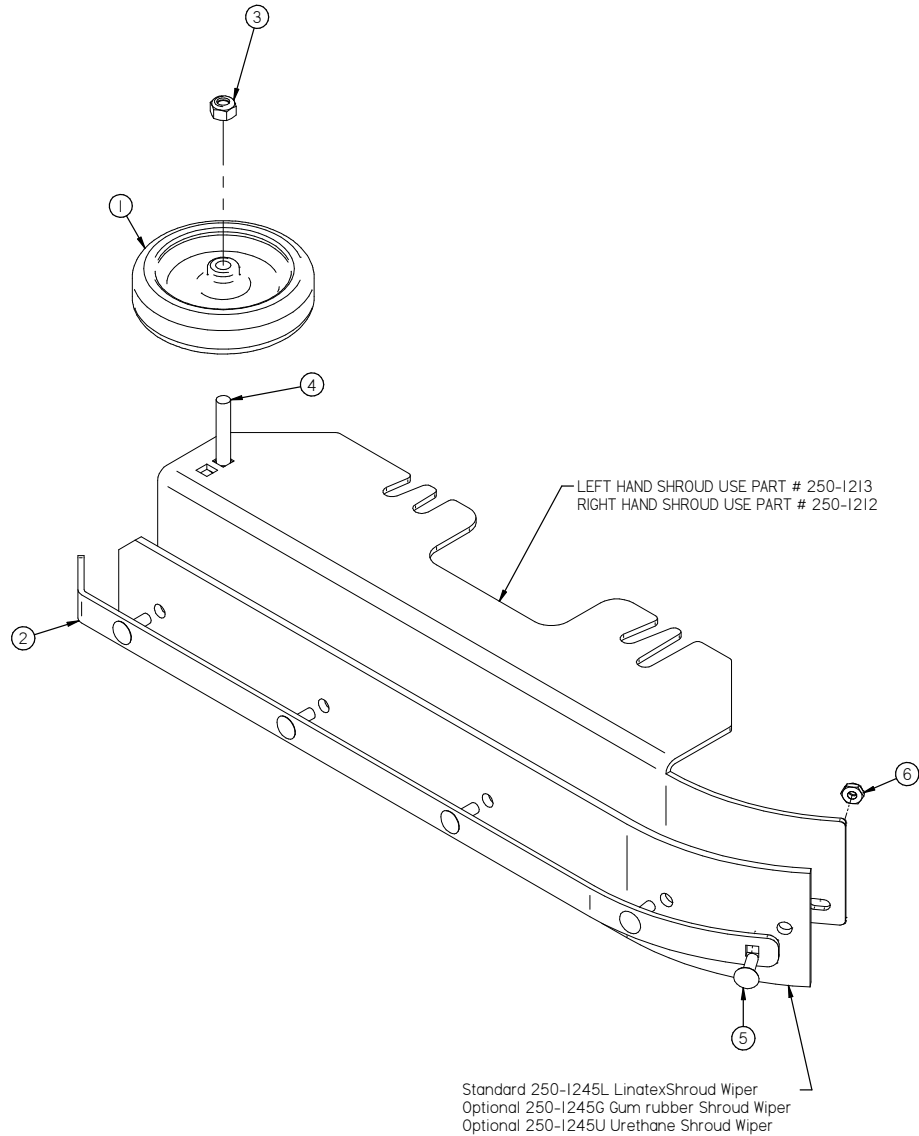


Item	Part No.	Part Description	Qty.	Item	Part No.	Part Description	Qty.
1	150-9006	DECK LIFTING BRACKET	1	27	H-0708890	HOLE PLUG, 7/8"	2
2	250-0001	RETAINER PIN	2	28	H-0953152	3/16" X 3/4" KEY	2
3	250-1230	HINGE FLANGE	2	29	H-25379	SETSCREW, KCP, 1/4"-20 X 1/4"	8
4	250-201	MOTOR, 36V, 3/4 HP, 350 RPM	2	30	H-70055	HB 5/16"- 18 X 1" SS	2
5	253-9003	QUICK DISCONNECT BRACKET	1	31	H-70105	HCS 3/8"- 16 X 1" SS	8
6	264-8215	TIMING SPROCKET 26 TOOTH	2	32	H-70860	NYLOK 1/4"- 20 SS	6
7	264-8225	TIMING SPROCKET 56 TOOTH	2	33	H-70861	NYLOK 5/16"- 18 SS	38
8	264-8230	535 5M TIMING BELT	2	34	H-70923	KN #10-32 SS	2
9	264-9029	CYLINDRICAL BRUSHHEAD, 29"	1	35	H-71015	FW 5/16 ID X 3/4 OD SS	14
10	290-1233	3/8" ID, 1/2" OD, 1/4" LG BEARING	4	36	H-71017	FW 3/8 ID X 7/8 OD SS	16
11	300-4030	LEVEL	2	37	H-72554	PPH #10-32 X 1-1/2"	2
12	370-8240A	BEARING HOUSING/BEARING	2	38	H-72682	FHP #10-32 X 1/2" SS	8
13	370-8370	BRUSH IDLER	2	39	H-73459	SHCS 1/4-20 X 1/2 SS	2
14	4-25	6.25"ADJUSTABLE LATERAL ARM	2	40	H-73811	BHSCS 3/8"- 16 X 1/2" SS	2
15	600-9585	CYL. LATERAL ARM	2	41	H-74417	CB 1/4"- 20 X .5" SS	2
16	600-9687	LIFT ARM CROSS BAR (CYL)	1	42	H-74419	CB 1/4"- 20 X .75" SS	4
17	650-1265	SCRUB ARM BRACKET	2	43	H-74429	CB 5/16"- 18 X 3/4" SS	30
18	650-2240	2.0" STROKE ACTUATOR (36V 900Nm)	1	44	H-74430	CB 5/16"- 18 X 1" SS	4
19	650-8025	SQ. SOLUTION FEED TUBE (25")	1	45	H-74432	CB 5/16"- 18 X 1-1/2" SS	4
20	650-9002	MOTOR ADJ BRACKET	2	46	H-90895	WASHER, SERRATED BELLEVILLE, 3/8", S/S	8
21	650-9004	MOTOR SPACER	2	47	H-96544	SPRING, 4-1/8 LG X 9/16 OD [42E]	4
22	650-9072	CYL REAR SUPPORT BRACKET, LH,	1	48	H-98025	FW 3/8" GRADE 8	4
23	650-9073	CYL REAR SUPPORT BRACKET, RH,	1	49	H-K14320	3/16" X 1 1/4" KEY	2
24	H-01125	3/16" X 1" KEY	2	50	H-NJ04C	JNYL 1/4" - 20 SS	4
25	H-0156759	3/8" X 4" CLEVIS PIN	2	51	H-RUE14	3/8" RUE RING COTTER	2
26	H-0171004	JNYL 3/8- 24 SS	4	52	M-9565K51	1.0 X 1.0 SQ TUBE PLUG	2

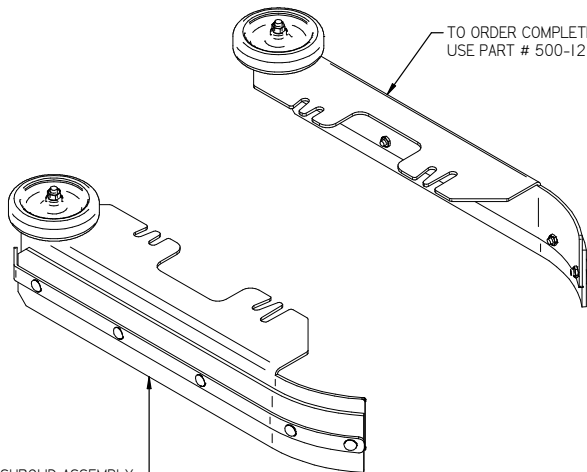


Item	Part No.	Part Description	Qty.
1	370-8241A	IDLER DRIVE BEARING	1
2	370-8373	CYLINDRICAL DRIVER SEAL	1
3	5-100	GROMMET	1
4	5-130	DOOR LATCH	1
5	600-8371	CYLINDRICAL DRIVER (HARDCOAT)	1
6	650-6022	DRIVE COVER (SS)	1
7	H-0171004	JNYL 3/8- 24 SS	1
8	H-0953152	3/16" X 3/4" KEY	1
9	H-71017	FW 3/8 ID X 7/8 OD SS	1
10	H-72682	FHP #10-32 X 1/2" SS	4

Orbital Deck Wipers

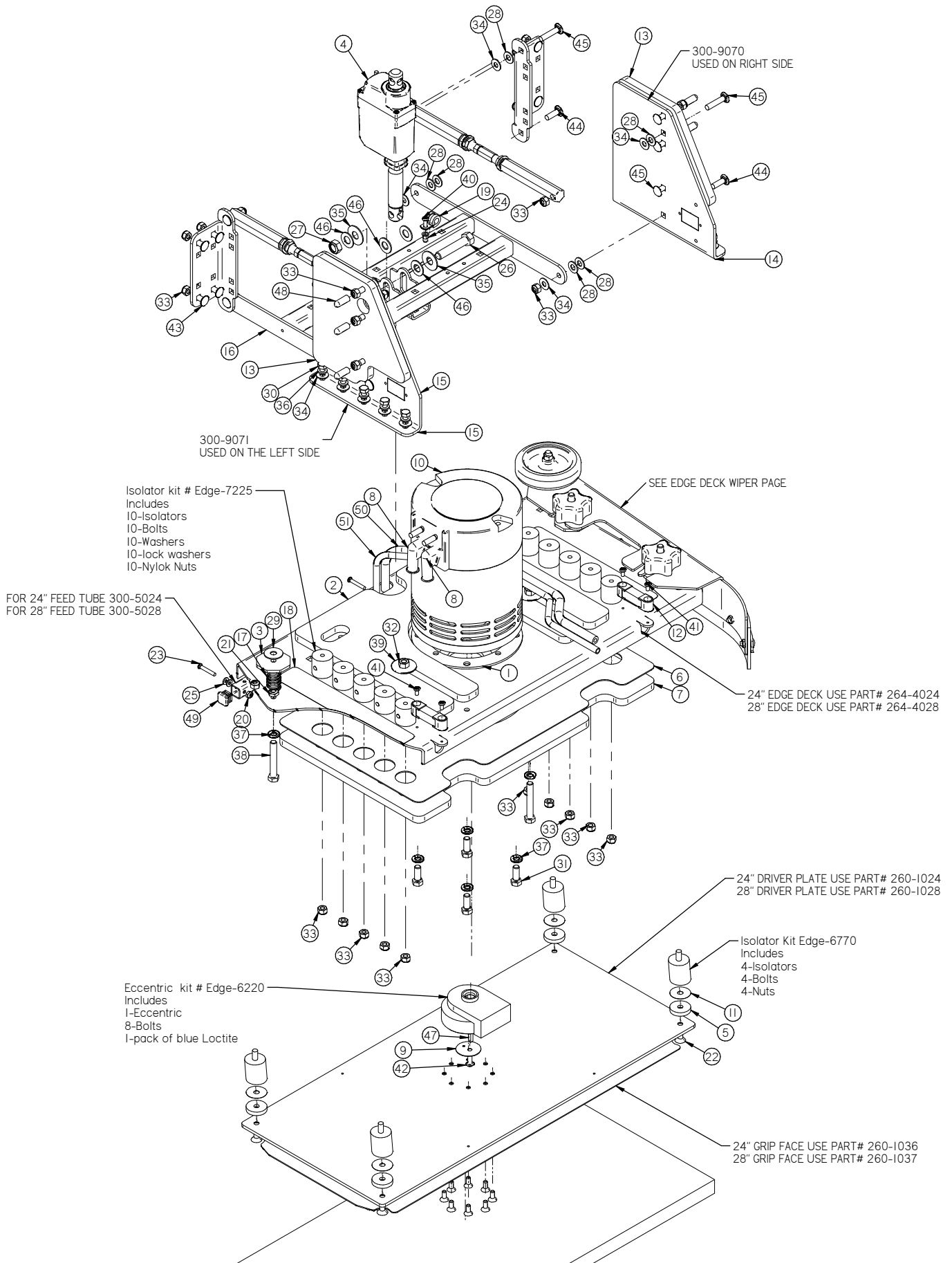


TO ORDER COMPLETE IRHI SHROUD ASSEMBLY
USE PART # 500-1212C



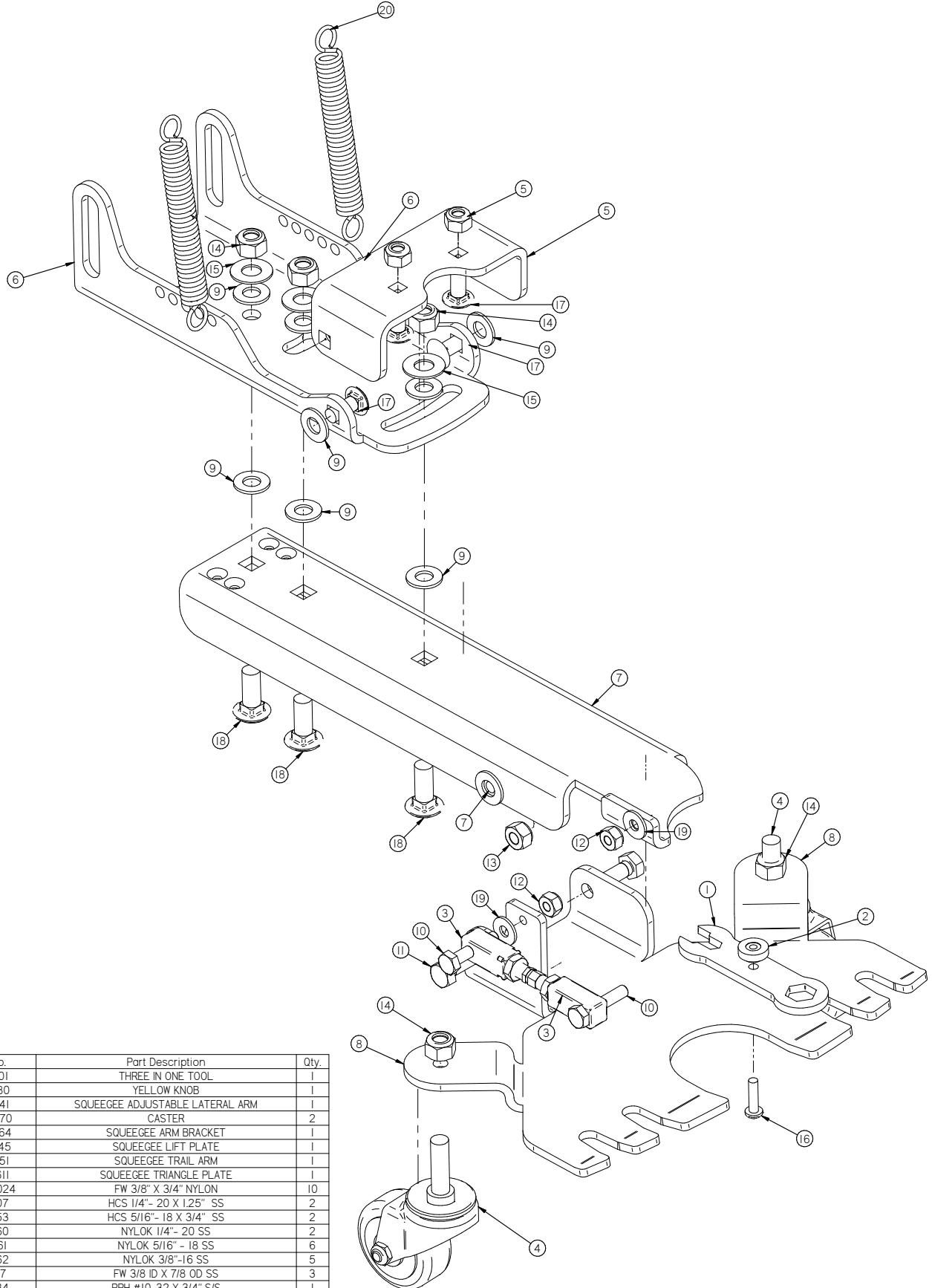
TO ORDER COMPLETE ILHI SHROUD ASSEMBLY
USE PART # 500-1213C

Item	Part No.	Part Description	Qty.
1	150-7600	4" SIDE WHEEL (GREY)	1
2	250-1246	EDGE WIPER BAND	1
3	H-70861	NYLOK 5/16" - 18 SS	1
4	H-74401	CB 5/16" - 18 X 1-3/4" SS	1
5	H-74419	CB 1/4" - 20 X .75" SS	5
6	H-NJ04C	JNYL 1/4" - 20 SS	5



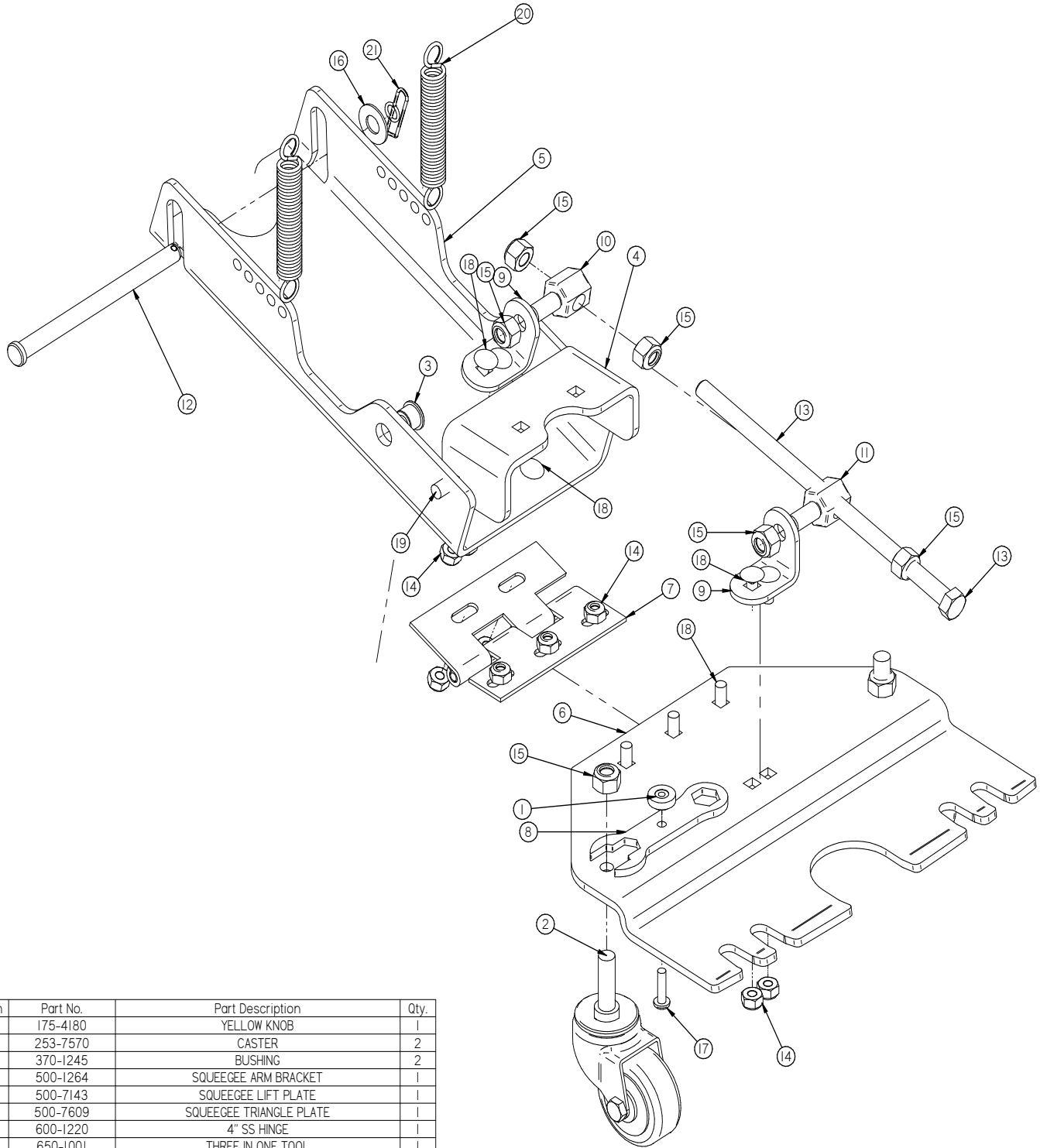
Orbital Deck Lift Arms

Item	Part No.	Part Description	Qty.
1	175-2505	MOTOR SHIM	1
2	175-4021	16.5 LBS WEIGHT	1
3	250-1184	SHROUD ADJ. KNOB (3/8-16 THREAD)	4
4	260-2215	2-1/2" STROKE ACTUATOR (36V 900Nm)	1
5	264-1033	1/4" SPACER	4
6	264-4026	WEIGHT GASKET	1
7	264-4027	26 LB LOWER WEIGHT	1
8	290-2780	TERMINAL BOOT, BLACK	2
9	300-01030Z	CRUSH WASHER	2
10	300-2600	36V,IHP,2700 RPM	1
11	300-3035	ISOLATOR SHIELD	4
12	300-4030	LEVEL	1
13	300-4035	5LB WEIGHT	2
14	300-9070	(LH) DECK LIFTING BRACKET	1
15	300-9071	(RH) DECK LIFTING BRACKET	1
16	300-9587	LATERAL ARM	1
17	4-386	LIFT LEVER SPRING	4
18	EDGE-7232	28" EDGE STICKER	2
19	H-0127290	1/2" LOOP CLAMP	2
20	H-0129155	JNYL #10-32, 18-8 S/S	3
21	H-0129158	JNYL 3/8- 16 SS	4
22	H-0171360	FHSCS .312-18 X .625 SS	1
23	H-0172522	CB #10-32 X 1-1/4" SS	3
24	H-1032HCN	HCN #10-32	2
25	H-11107629	FW #10 NYLON	6
26	H-38712	HCS M12-1.75 X 60MM ZINK	1
27	H-40171	NYLOK M12-1.75 ZINK	1
28	H-4440024	FW 3/8" X 3/4" NYLON	12
29	H-4440040	.375 ID X 1.125 OD RUBBER WASHER	4
30	H-70051	HCS 5/16"- 18 X 1/2"	10
31	H-70105	HCS 3/8"- 16 X 1" SS	4
32	H-70712	HN 3/8"-16 SS	2
33	H-70861	NYLOK 5/16" - 18 SS	38
34	H-71015	FW 5/16 ID X 3/4 OD SS	18
35	H-71021	FW 1/2 ID X 1-1/4 OD SS	2
36	H-71065	LW 5/16" SS	10
37	H-71067	LW 3/8" SS	10
38	H-71190	HCS 3/8"- 16 X 2-1/2" SS (FULLY THREADED)	6
39	H-71217	FW .375 ID X 1.5 OD SS	2
40	H-72517	PPH #10-32 X 5/8" SS	2
41	H-72562	PPH #10-32 X 3/8" S/S	4
42	H-73754	BHSCS 1/4 - 20 X 3/4" SS	2
43	H-74429	CB 5/16"- 18 X 3/4" SS	8
44	H-74430	CB 5/16"- 18 X 1" SS	4
45	H-74432	CB 5/16"- 18 X 1-1/2" SS	10
46	H-76065	FW 1/2" NYLON	4
47	H-K14320	3/16" X 1 1/4" KEY	1
48	M-6448K97	9/32" x 1in long Push on Thread Cap	6
49	M-9565K5	3/4 X 3/4 SQ TUBE PLUG	2
50	T-025C2300	SOLUTION HOSE	1
51	T-375C2300	ZERO HOSE	1

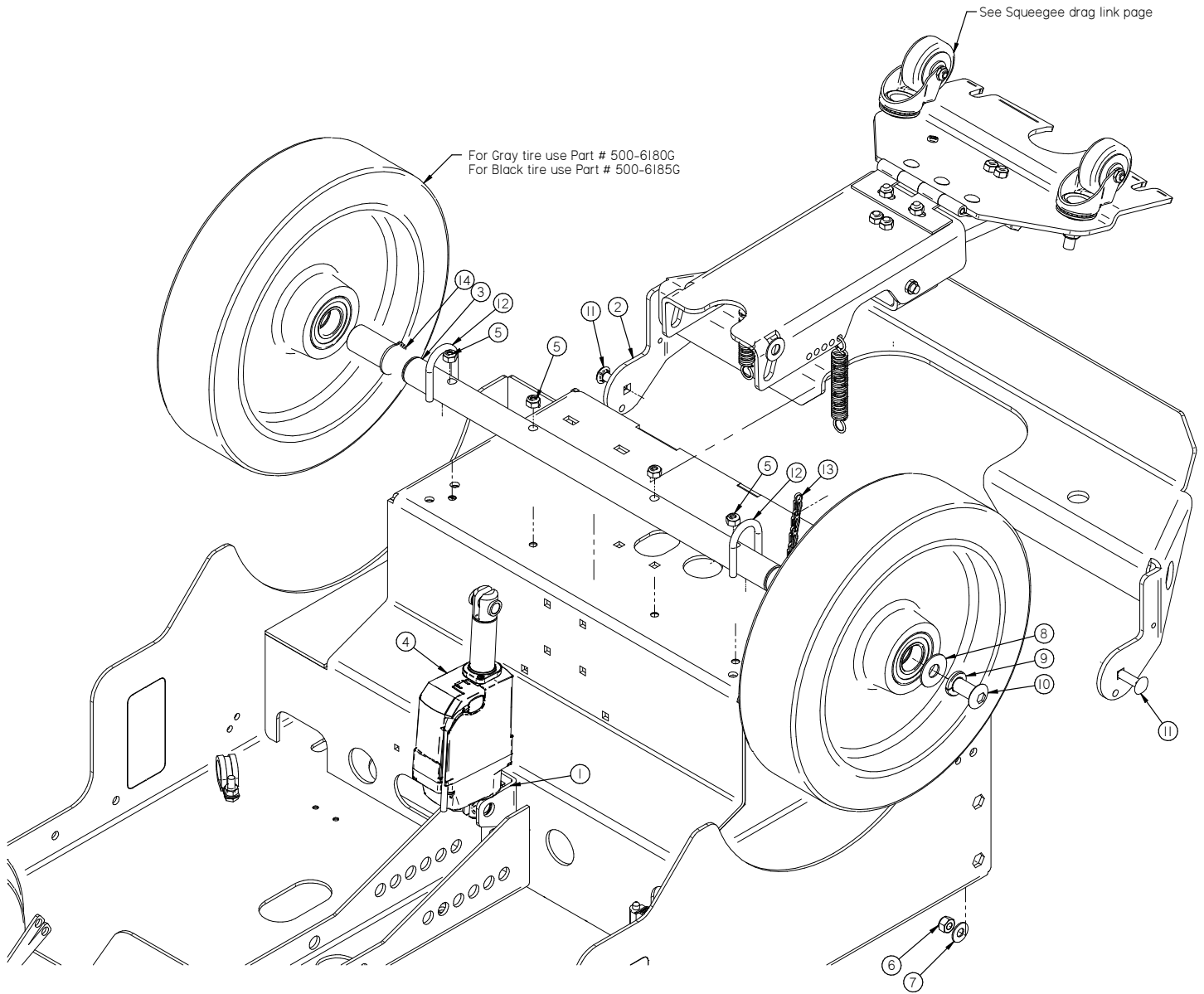


Item	Part No.	Part Description	Qty.
1	175-1001	THREE IN ONE TOOL	1
2	175-4180	YELLOW KNOB	1
3	175-8441	SQUEEGEE ADJUSTABLE LATERAL ARM	1
4	253-7570	CASTER	2
5	500-1264	SQUEEGEE ARM BRACKET	1
6	500-7145	SQUEEGEE LIFT PLATE	1
7	500-7151	SQUEEGEE TRAIL ARM	1
8	650-7611	SQUEEGEE TRIANGLE PLATE	1
9	H-4440024	FW 3/8" X 3/4" NYLON	10
10	H-70007	HCS 1/4" - 20 X 1.25" SS	2
11	H-70053	HCS 5/16" - 18 X 3/4" SS	2
12	H-70860	NYLOK 1/4" - 20 SS	2
13	H-70861	NYLOK 5/16" - 18 SS	6
14	H-70862	NYLOK 3/8"-16 SS	5
15	H-71017	FW 3/8 ID X 7/8 OD SS	3
16	H-72534	PPH #10-32 X 3/4" S/S	1
17	H-74429	CB 5/16" - 18 X 3/4" SS	4
18	H-74436	CB 3/8" - 16 X 1.0" SS	3
19	H-76061	FW 1/4" NYLON	2
20	H-96544	SPRING, 4-1/8" LG, 9/16 OD, [42E]	2

Fixed Squeegee Drag Plate

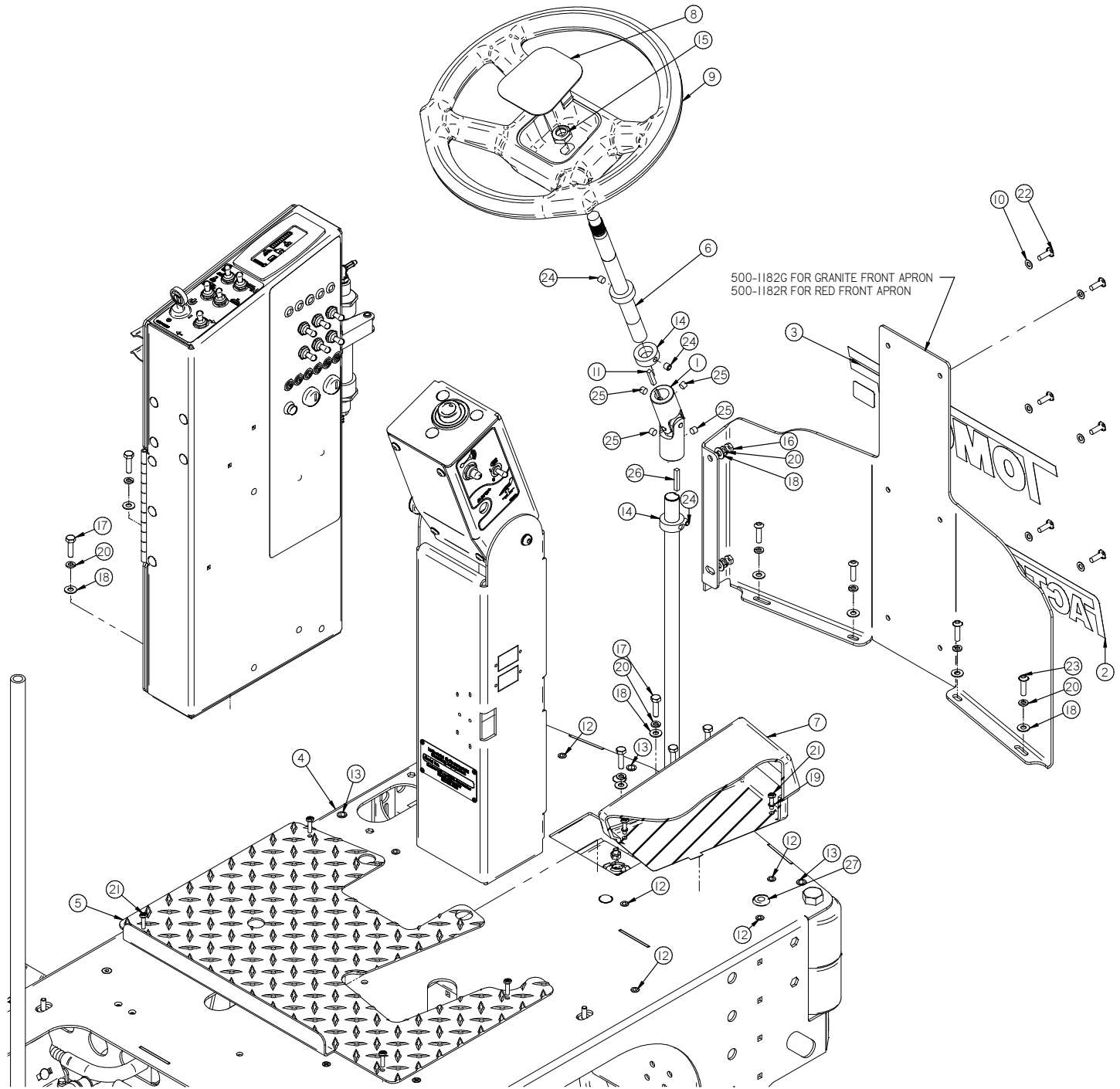


Item	Part No.	Part Description	Qty.
1	175-4180	YELLOW KNOB	1
2	253-7570	CASTER	2
3	370-1245	BUSHING	2
4	500-1264	SQUEEGEE ARM BRACKET	1
5	500-7143	SQUEEGEE LIFT PLATE	1
6	500-7609	SQUEEGEE TRIANGLE PLATE	1
7	600-1220	4" SS HINGE	1
8	650-1001	THREE IN ONE TOOL	1
9	650-7608	SQUEEGEE ADJ. BRACKET	2
10	650-9583	ADJUSTABLE ROD END ANCHOR	1
11	650-9584	THREADED ADJUSTABLE ROD END	1
12	H-04804	3/8" X 5" CLEVIS PIN	1
13	H-06716	HCS 3/8"- 16 X 8" FULL THREAD SS	1
14	H-70860	NYLOK 1/4"- 20 SS	11
15	H-70862	NYLOK 3/8"-16 SS	7
16	H-71017	FW 3/8 ID X 7/8 OD SS	1
17	H-72534	PPH #10-32 X 3/4" S/S	1
18	H-74418	CB 1/4"- 20 X 5/8" S/S	11
19	H-74429	CB 5/16"- 18 X 3/4" SS	2
20	H-96544	SPRING, 4-1/8" LG X 9/16" OD (42E)	2
21	H-RUE14	3/8" RUE RING COTTER	1

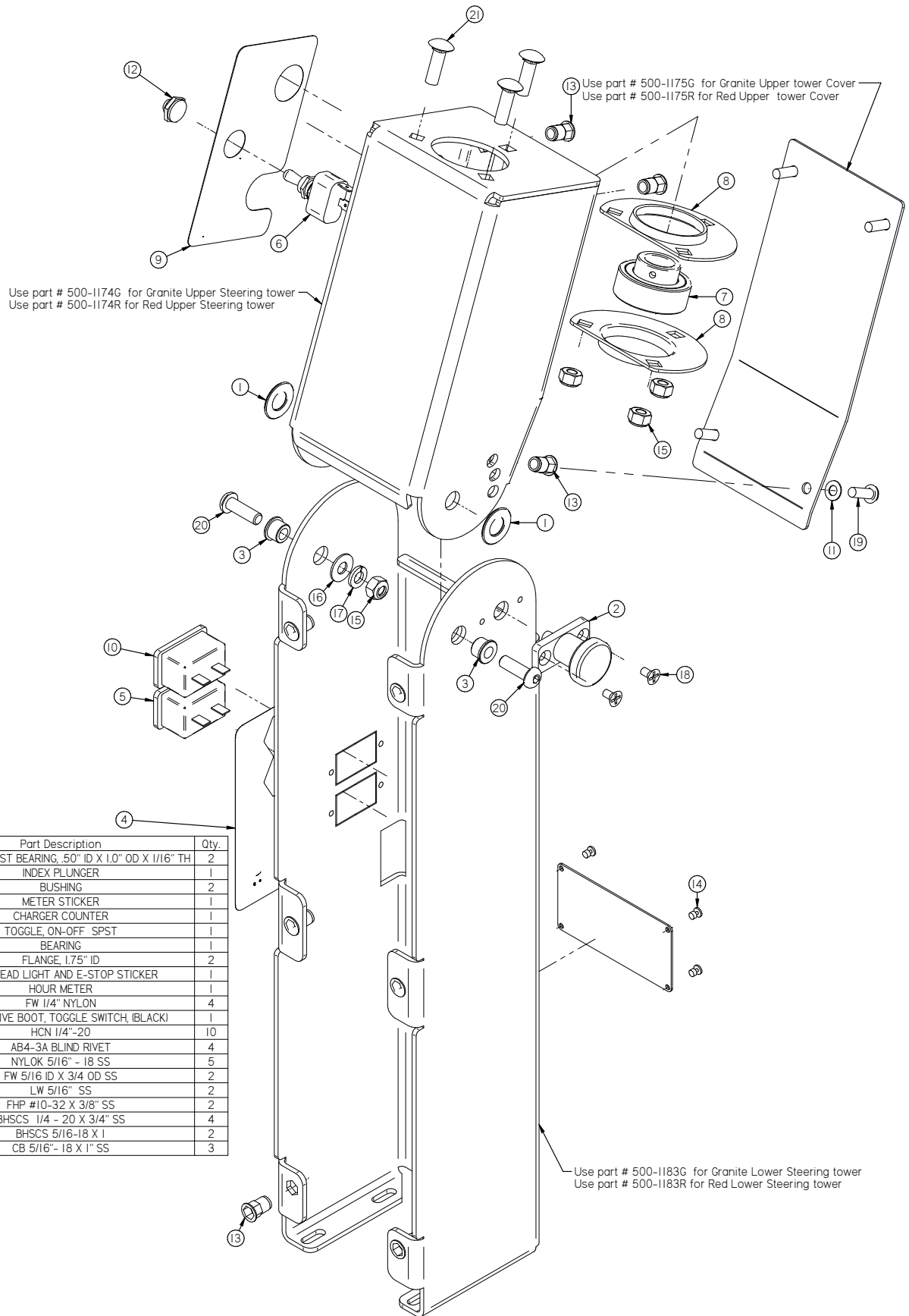


Item	Part No.	Part Description	Qty.
1	I50-1006	LIFTING BRACKET	1
2	500-1109	BUMPER/STEP	1
3	500-1271	AXLE	1
4	600-2210	2.0" STROKE ACTUATOR (36V 600Nm)	1
5	H-70860	NYLOK 1/4" - 20 SS	3
6	H-70861	NYLOK 5/16" - 18 SS	2
7	H-71015	FW 5/16 ID X 3/4 OD SS	2
8	H-71021	FW 1/2 ID X 1-1/4 OD SS	2
9	H-71071	LW 1/2" SS	2
10	H-73834	BHSCS 1/2- 13 X 1" SS	2
11	H-74430	CB 5/16"- 18 X 1" SS	2
12	M-3043T13	1/4-20 X 1.0" U-BOLT	2
13	M-3608T24	6" GOLD GROUING CHAIN	1
14	M-98585A12I	1 INCH EXTERNAL RETAINING RING	2

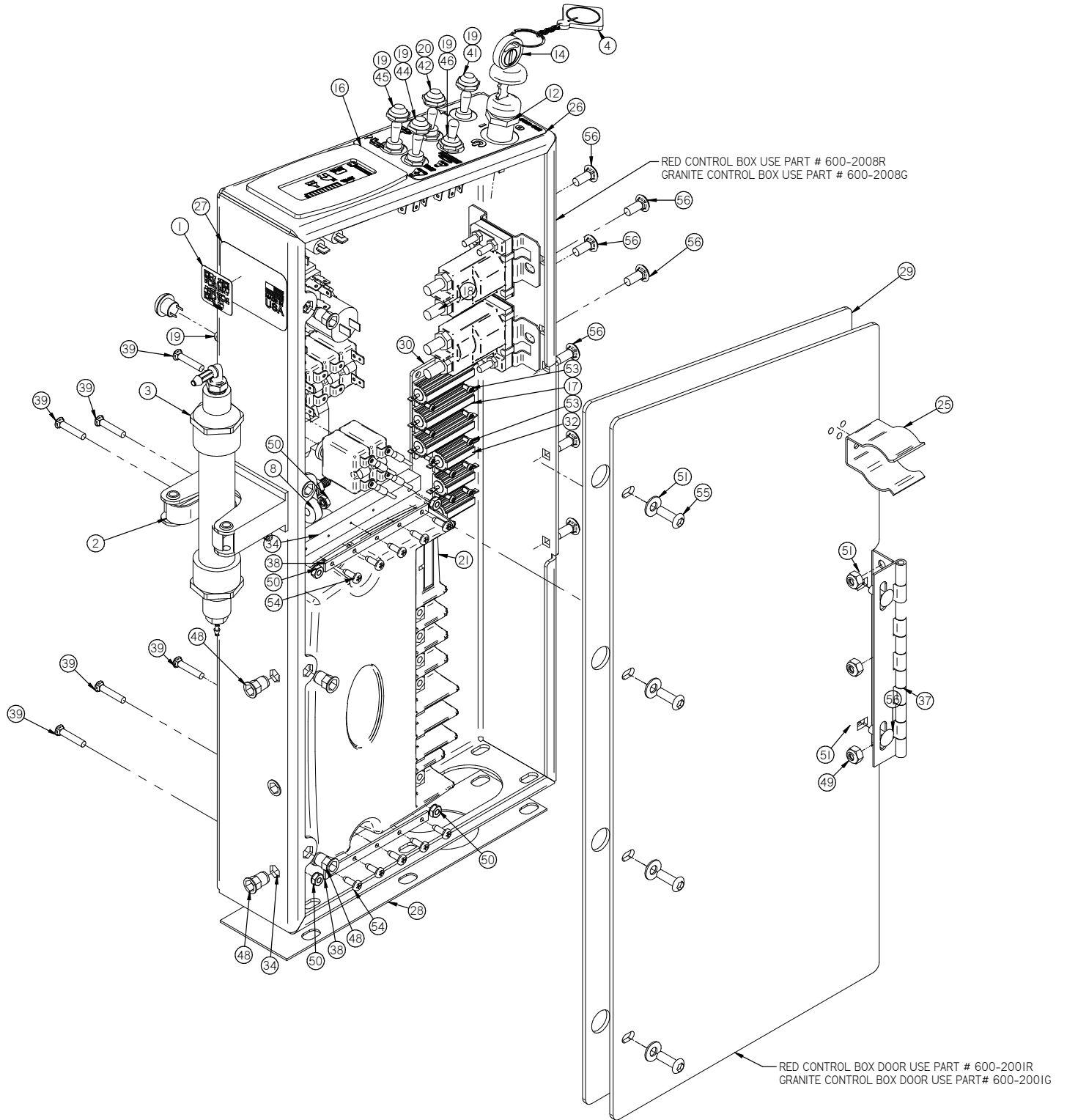
Central Command / Steering Upright

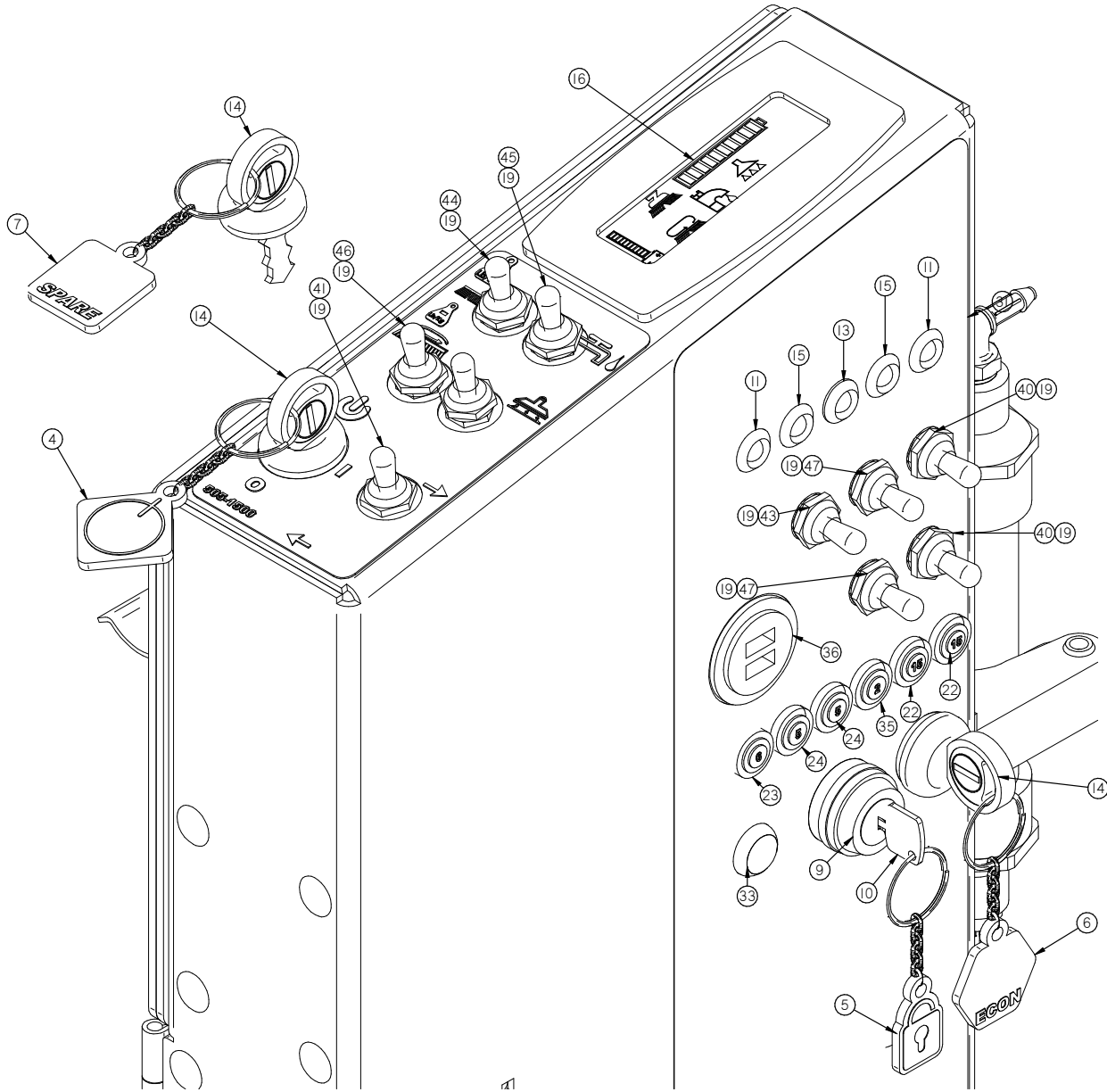


Item	Part No.	Part Description	Qty.	Item	Part No.	Part Description	Qty.
1	290-7110	U-JOINT	1	15	H-37038	JNYL 5/8" - 11	1
2	370-7201	FACTORY CAT STICKER	1	16	H-70003	HCS 1/4"-20 X 3/4" SS	5
3	370-7202	TOMCAT STICKER	1	17	H-70005	HCS 1/4"- 20 X 1" SS	3
4	500-1000	MAIN FRAME	1	18	H-71013	FW 1/4 ID X 5/8 OD SS	12
5	500-1612	NON SKID FLOOR PLATE	1	19	H-71059	LW #10, SS	1
6	500-7090	STEERING SHAFT, UPPER	1	20	H-71063	LW 1/4" SS	10
7	8-290	FOOT PEDAL	1	21	H-72534	PPH #10-32 X 3/4" S/S	2
8	8-701A	STEERING COVER	1	22	H-73754	BHSCS 1/4 - 20 X 3/4" SS	6
9	8-703	STEERING WHEEL	1	23	H-73755	BHSCS 1/4 - 20 X 1" SS	4
10	H-00282	FW 1/4" NYLON	6	24	H-81983	5/16" X 1/4" KURL SET SCREW	3
11	H-01125	3/16" X 1" KEY	1	25	H-82022	5/16-24" X 1/4" KURL SET SCREW	4
12	H-02309	HCN #10-32, LG CRIMP	5	26	H-K14320	3/16" X 1 1/4" KEY	1
13	H-250HCN	HCN 1/4"-20	3	27	M-9307K23	GROMMET .625 DIAMETER HOLE .125 THICK PANEL	1
14	H-33376	SHAFT COLLAR, 3/4" ID X 9/16 LG	3				

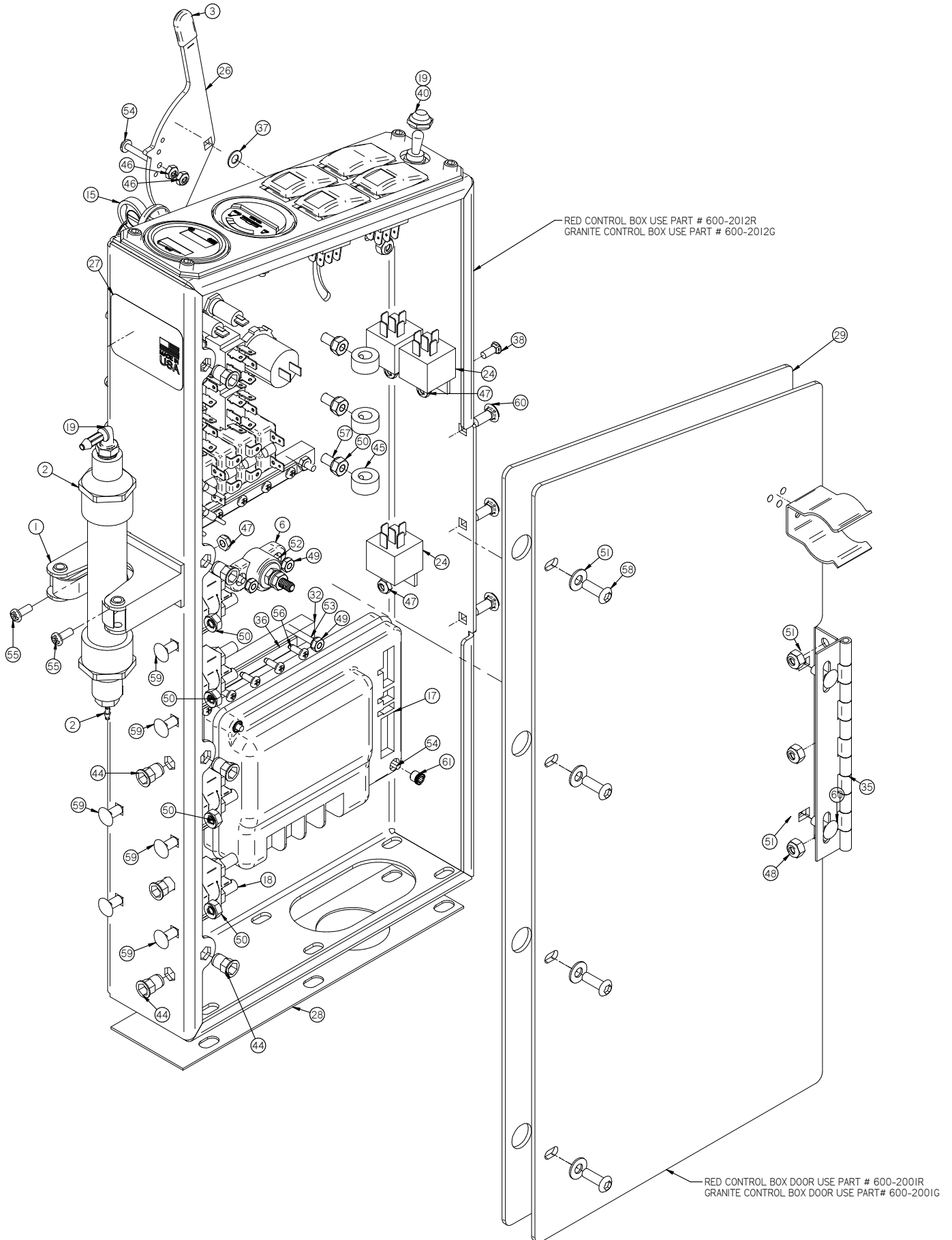


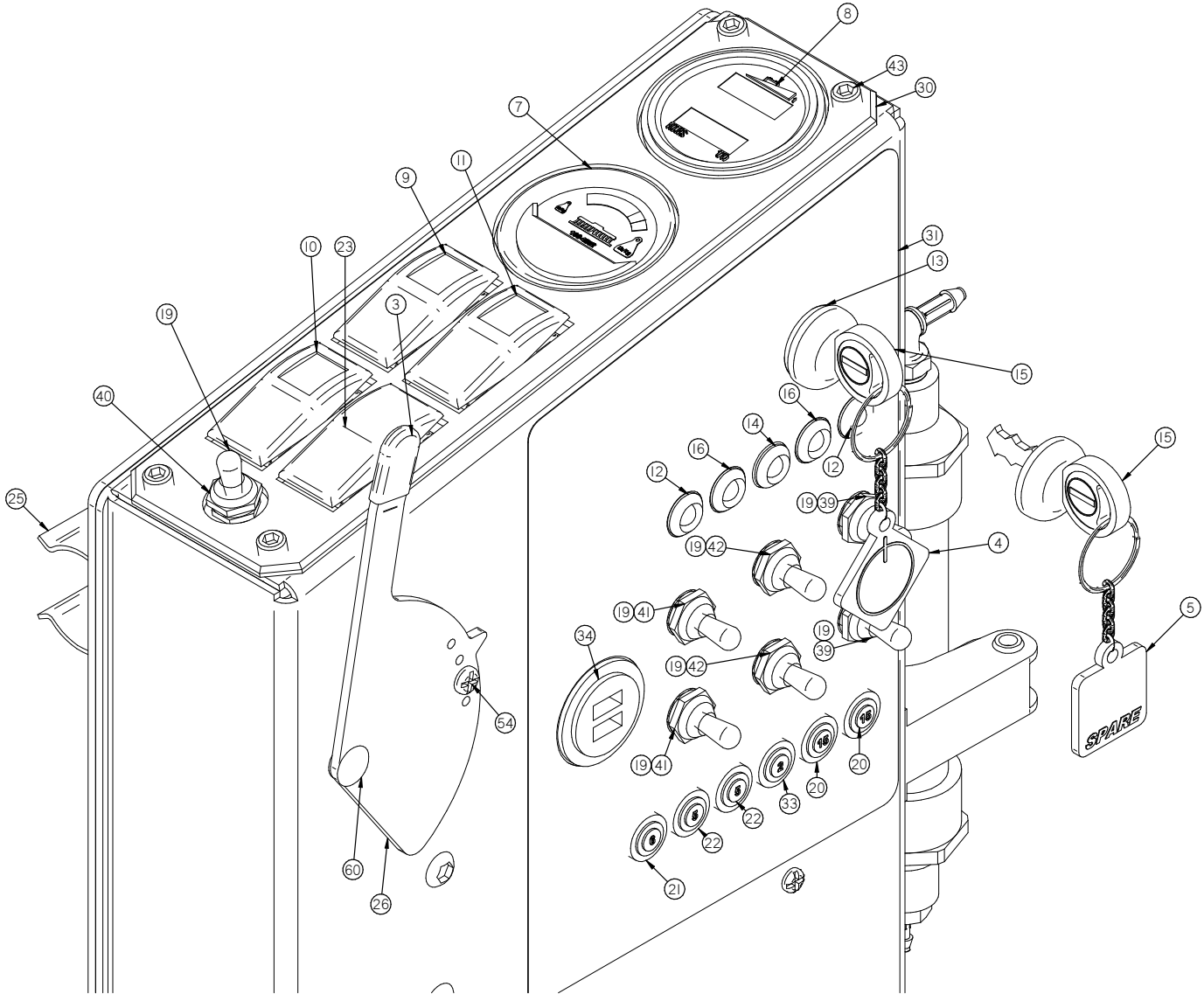
Item	Part No.	Part Description	Qty.
1	290-1247	BRONZE THRUST BEARING, .50" ID X 1.0" OD X 1/16" TH	2
2	290-7050	INDEX PLUNGER	1
3	370-1245	BUSHING	2
4	370-7204	METER STICKER	1
5	370-8261	CHARGER COUNTER	1
6	370-8920	TOGGLE, ON-OFF SPST	1
7	4-352	BEARING	1
8	500-3640	FLANGE, 1.75" ID	2
9	600-1503	HORN HEAD LIGHT AND E-STOP STICKER	1
10	8-262	HOUR METER	1
11	H-00282	FW 1/4" NYLON	4
12	H-11200	PROTECTIVE BOOT, TOGGLE SWITCH, (BLACK)	1
13	H-250HCN	HCN 1/4"-20	10
14	H-41007	AB4-3A BLIND RIVET	4
15	H-70861	NYLOK 5/16" - 18 SS	5
16	H-71015	FW 5/16 ID X 3/4 OD SS	2
17	H-71065	LW 5/16" SS	2
18	H-72681	FHP #10-32 X 3/8" SS	2
19	H-73754	BHSCS 1/4 - 20 X 3/4" SS	4
20	H-73780	BHSCS 5/16-18 X 1	2
21	H-74430	CB 5/16"- 18 X 1" SS	3



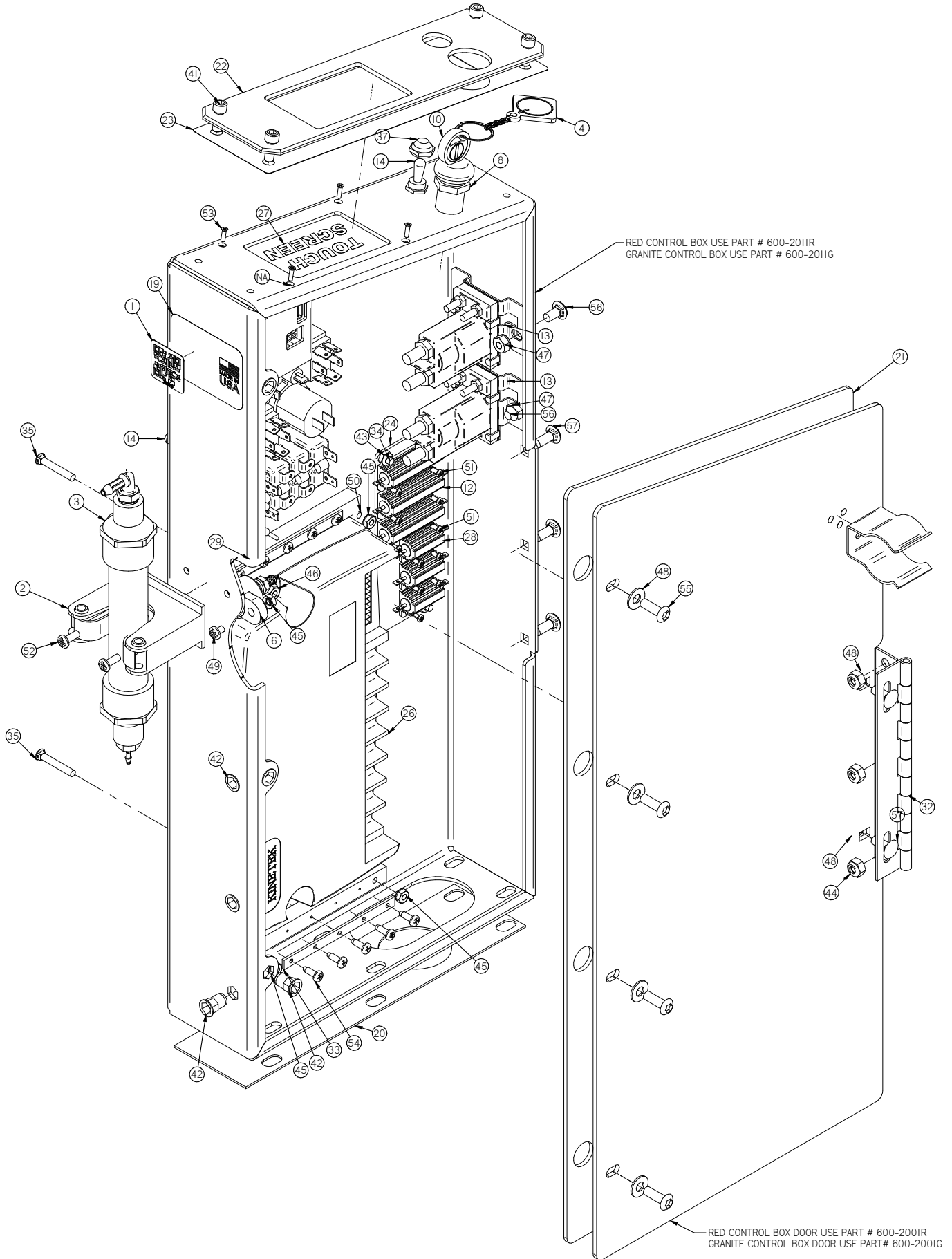


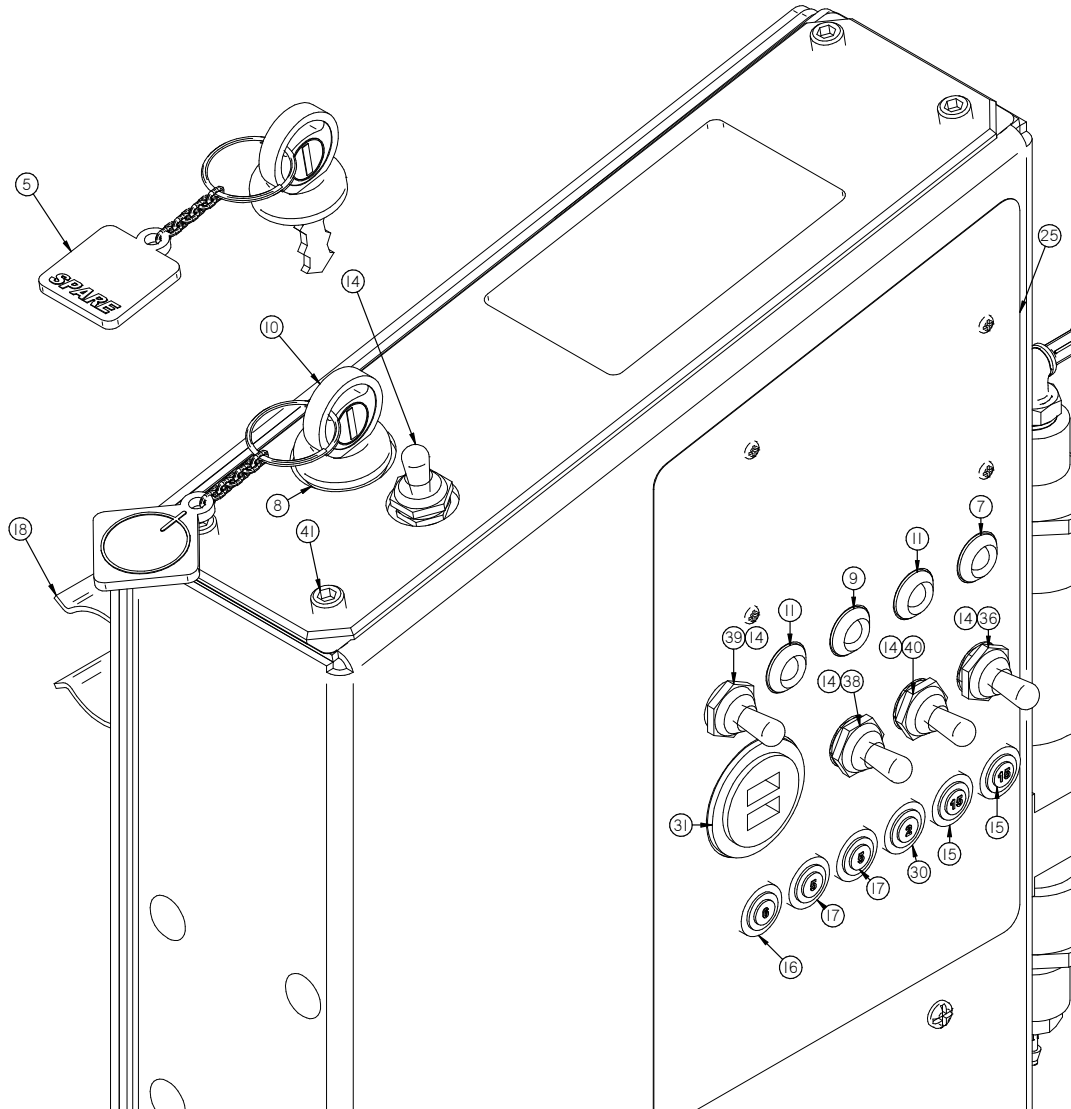
Item	Part No.	Part Description	Qty.	Item	Part No.	Part Description	Qty.
1		QR sticker	1	29	600-2005	ACCESS COVER GASKET	1
2	123-8860	HOSE BRACKET HOLDER	1	30	650-2007	RESISTER PLATE	1
3	123-9134	AIR DRYER	1	31	650-2019	CONTROL PANEL STICKER, FRONT	1
4	175-2352	POWER KEY FOB	1	32	650-9581	RESISTER	3
5	175-2352	MANAGER LOCK OUT KEY FOB	1	33	7-229D	PUSH BUTTON SWITCH	1
6	175-2352	ECON KEY FOB	1	34	7-287	BUSS BAR UHMW	2
7	175-2352	SPARE KEY FOB	1	35	7-837	7-837.asm	1
8	175-2700	NEG INSULATOR POST (BLACK)	1	36	700-2590	DUAL USB PORTS	1
9	264-234	LOCKOUT KEY SWITCH	1	37	8-180	HINGE, 6-7/8" S/S	1
10	264-234A	MANGER LOCK OUT KEY	1	38	E-5HBB	5 HOLE BUSS BAR	2
11	290-2330	RED LIGHT	2	39	H-017252I	CB #10-32 X 1" SS	6
12	290-234	KEY SWITCH (WITH KEY)	2	40	H-11195	PROTECTIVE BOOT, TOGGLE SWITCH, (WHITE)	2
13	290-2340	GREEN LIGHT	1	41	H-11196	PROTECTIVE BOOT, TOGGLE SWITCH, (RED)	1
14	290-234A	KEY SET (REPLACE)	3	42	H-11197	PROTECTIVE BOOT, TOGGLE SWITCH, (YELLOW)	1
15	290-2350	YELLOW LIGHT	2	43	H-11198	PROTECTIVE BOOT, TOGGLE SWITCH, (GREEN)	1
16	290-2891	LCD SCREEN	1	44	H-11199	PROTECTIVE BOOT, TOGGLE SWITCH, (BLUE)	1
17	290-9581	RESISTER	3	45	H-11200	PROTECTIVE BOOT, TOGGLE SWITCH, (BLACK)	1
18	370-2331	RELAY, 36V, SMALL W/FLAT MTG PLATE	2	46	H-11201	PROTECTIVE BOOT, TOGGLE SWITCH, (GRAY)	1
19	370-8210	SWITCH, TOGGLE, ON/ON (DPDT)	9	47	H-11202	PROTECTIVE BOOT, TOGGLE SWITCH, (ORANGE)	2
20	370-8920	TOGGLE, ON-OFF SPST	1	48	H-250HCN	HCN 1/4"-20	7
21	390-2899	CONTROLLER V4	1	49	H-70860	NYLON 1/4"-20 SS	5
22	390-9615	FUSE, RESETTABLE, 15 AMP, 50V DC MAX	2	50	H-70922	KN #8-32	6
23	4-284	FUSE, RESETTABLE, 6 AMP, 50V DC MAX	1	51	H-71013	FW 1/4 ID X 5/8 OD SS	6
24	4-960	FUSE, RESETTABLE, 5 AMP, 50V DC MAX	2	52*	H-72398	PPH #8-32 X 1/2" S/S	2
25	5-886	WAND CLIP	1	53	H-72486	PPH #4-40 X 1/2" S/S	12
26	505-1500	CONTROL PANEL STICKER, TOP	1	54	H-72914	PPH SMS #8 X 1/2"	10
27	505-1500	METER STICKER	1	55	H-73754	BHSCS 1/4 - 20 X 3/4" SS	4
28	600-2004	CENTRAL COMMAND DUST CURTAIN	1	56	H-74418	CB 1/4"- 20 X 5/8" S/S	9





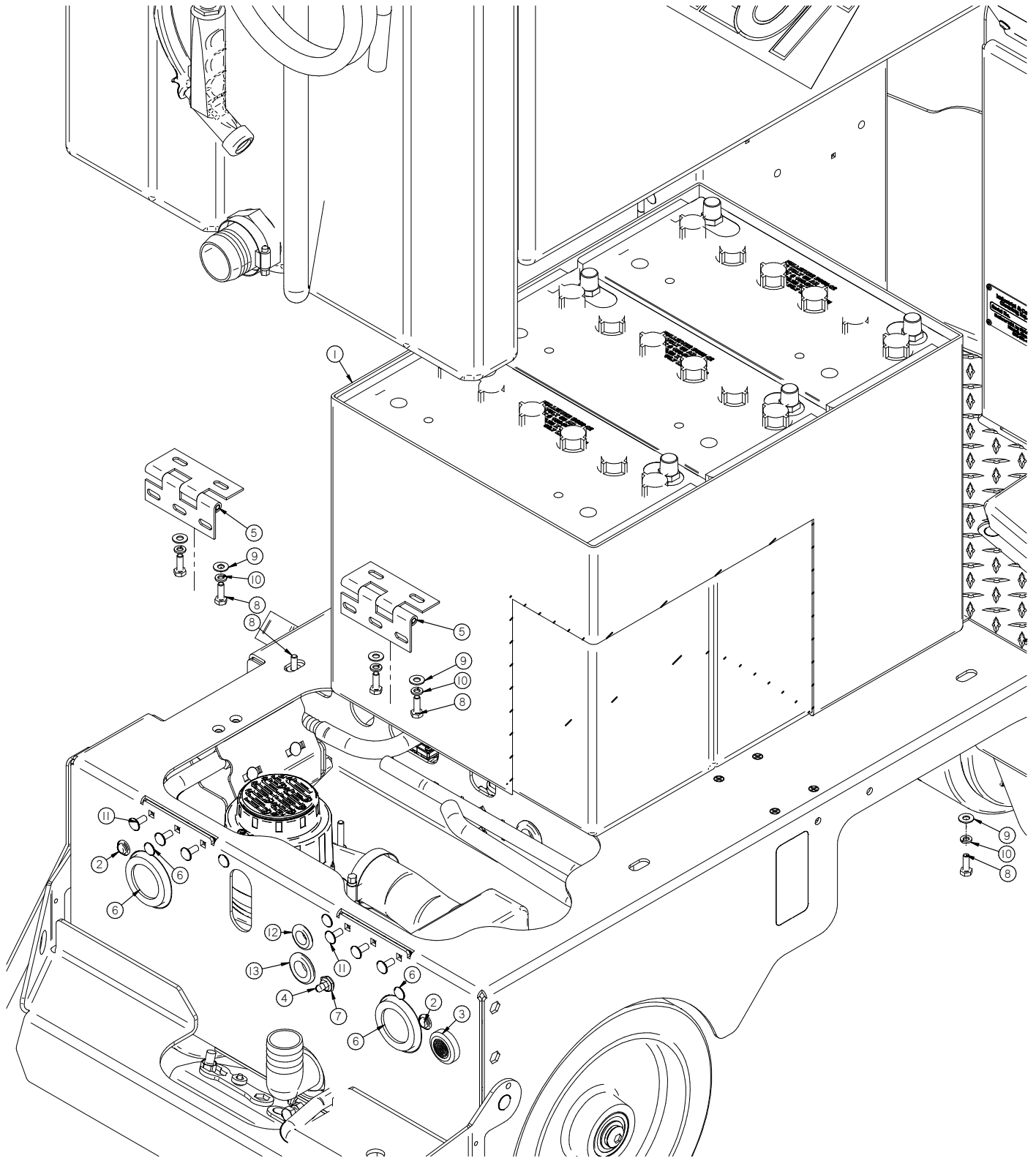
Item	Part No.	Part Description	Qty.	Item	Part No.	Part Description	Qty.
1	123-8860	HOSE BRACKET HOLDER	1	31	650-2019	CONTROL PANEL STICKER, FRONT	1
2	123-9134	AIR DRYER	1	32	7-287	BUSS BAR UHMW	2
3	150-4480	HANDLE GRIP (BLUE)	1	33	7-837	7-837.asm	1
4	175-2352	POWER KEY FOB	1	34	700-2590	DUAL USB PORTS	1
5	175-2352	SPARE KEY FOB	1	35	8-180	HINGE, 6-7/8" S/S	1
6	175-2700	NEG INSULATOR POST (BLACK)	1	36	E-5HBB	5 HOLE BUSS BAR	2
7	190-4852	BRUSH PRESSURE GAUGE, 40 AMP	1	37	H-00282	FW 1/4" NYLON	1
8	200-4855	36V BATTERY AND HOUR METER	1	38	H-0172518	CB #10-32 X 1/2" SS	4
9	260-2350A	SWITCH, ROCKER, DPDT, ON/ON AMBER	1	39	H-11195	PROTECTIVE BOOT, TOGGLE SWITCH, (WHITE)	2
10	260-2351A	SWITCH, ROCKER, DPDT, ON/ON GREEN	1	40	H-11196	PROTECTIVE BOOT, TOGGLE SWITCH, (RED)	1
11	260-2352A	SWITCH, ROCKER, DPDT, ON/ON BLUE	1	41	H-11198	PROTECTIVE BOOT, TOGGLE SWITCH, (GREEN)	2
12	290-2330	RED LIGHT	2	42	H-11202	PROTECTIVE BOOT, TOGGLE SWITCH, (ORANGE)	2
13	290-234	KEY SWITCH (WITH KEY)	1	43	H-1123202	SHCS 1/4-20 X 5/8 BLACK OXIDE	4
14	290-2340	GREEN LIGHT	1	44	H-250HCN	HCN 1/4"-20	11
15	290-234A	KEY SET (REPLACE)	2	45	H-33372	SHAFT COLLAR, 3/8" ID	3
16	290-2350	YELLOW LIGHT	2	46	H-70856	NYLOK #8-32 SS	2
17	349-2899	IDRIVE 24V 140 AMP CONTROLLER	1	47	H-70858	NYLOK #10-32 SS	6
18	370-2331	RELAY, 36V, SMALL W/FLAT MTG PLATE	4	48	H-70860	NYLOK 1/4"- 20 SS	6
19	370-8210	SWITCH, TOGGLE, ON/ON (DPDT)	7	49	H-70922	KN #8-32	6
20	390-9615.asm		2	50	H-70925	KN 1/4-20 S/S	11
21	4-284	4-284	1	51	H-71013	FW 1/4 ID X 5/8 OD SS	6
22	4-960	4-284	2	52	H-72398	PPH #8-32 X 1/2" S/S	2
23	5-234	SWITCH, ROCKER, DPDT, ON/ON	1	53	H-72418	PPH #8-32 X 1" S/S	4
24	5-293	15 AMP RELAY	4	54	H-72419	PPH #8-32 X 1-1/4" S/S	3
25	5-886	WAND CLIP	1	55	H-72515	PPH #10-32 X 1/2" S/S	2
26	500-2003	VALVE LEVER	1	56	H-72914	PPH SMS #8 X 1/2"	10
27	505-1500	METER STICKER	1	57	H-73753	BHSCS 1/4 - 20 X 5/8" SS	3
28	600-2004	CENTRAL COMMAND DUST CURTAIN	1	58	H-73754	BHSCS 1/4 - 20 X 3/4" SS	4
29	600-2005	ACCESS COVER GASKET	1	59	H-74417	CB 1/4"- 20 X 5" SS	8
30	600-2022	CENTRAL COMMAND TOP	1	60	H-74418	CB 1/4"- 20 X 5/8" S/S	6
				61	M-92066A009	SCKT HEAD NUT #8-32.par	2



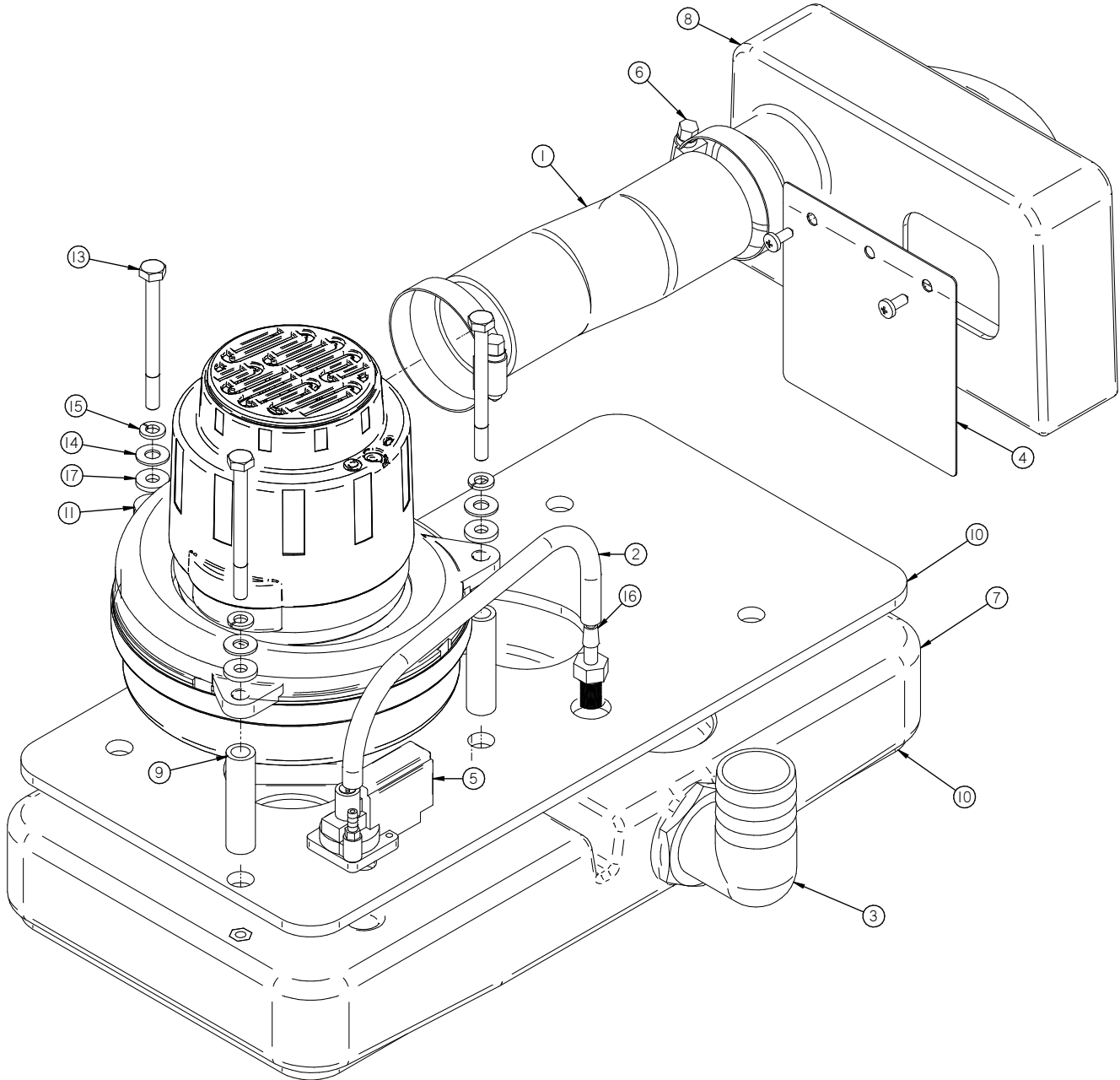


Item	Part No.	Part Description	Qty.	Item	Part No.	Part Description	Qty.
1		QR sticker	1	29	7-287	BUSS BAR UHMW	2
2	123-8860	HOSE BRACKET HOLDER	1	30	7-837	7-837.asm	1
3	123-9134	AIR DRYER	1	31	700-2590	DUAL USB PORTS	1
4	175-2352	POWER KEY FOB	1	32	8-180	HINGE, 6-7/8" S/S	1
5	175-2352	SPARE KEY FOB	1	33	E-5HBB	5 HOLE BUSS BAR	2
6	175-2700	NEG INSULATOR POST (BLACK)	1	34	H-0172518	CB #10-32 X 1/2" SS	2
7	290-2330	RED LIGHT	1	35	H-0172522	CB #10-32 X 1-1/4" SS	2
8	290-234	KEY SWITCH (WITH KEY)	1	36	H-11195	PROTECTIVE BOOT, TOGGLE SWITCH, (WHITE)	1
9	290-2340	GREEN LIGHT	1	37	H-11196	PROTECTIVE BOOT, TOGGLE SWITCH, (RED)	1
10	290-234A	KEY SET (REPLACE)	2	38	H-11198	PROTECTIVE BOOT, TOGGLE SWITCH, (GREEN)	1
11	290-2350	YELLOW LIGHT	2	39	H-11200	PROTECTIVE BOOT, TOGGLE SWITCH, (BLACK)	1
12	290-9581	RESISTOR	3	40	H-11202	PROTECTIVE BOOT, TOGGLE SWITCH, (ORANGE)	1
13	370-2331	RELAY, 36V, SMALL, W/FLAT MTG PLATE	2	41	H-1123202	SHCS 1/4"-20 X 5/8 BLACK OXIDE	4
14	370-8210	SWITCH, TOGGLE, ON/ON IDPDT	5	42	H-250HCN	HCN 1/4"-20	7
15	390-9615	FUSE, RESETTABLE, 15 AMP, 50V DC MAX	2	43	H-70858	NYLOK #10-32 SS	4
16	4-284	FUSE, RESETTABLE, 6 AMP, 50V DC MAX	1	44	H-70860	NYLOK 1/4"- 20 SS	5
17	4-960	FUSE, RESETTABLE, 5 AMP, 50V DC MAX	2	45	H-70922	KN #8-32	6
18	5-886	WAND CLIP	1	46	H-70923	KN #10-32 SS	2
19	505-1500	METER STICKER	1	47	H-70925	KN 1/4-20 S/S	4
20	600-2004	CENTRAL COMMAND DUST CURTAIN	1	48	H-71013	FW 1/4 ID X 5/8 OD SS	6
21	600-2005	ACCESS COVER GASKET	1	49	H-72398	PPH #8-32 X 1/2" S/S	2
22	600-2023	TOUCH SCREEN CC TOP	1	50	H-72418	PPH #8-32 X 1" S/S	4
23	600-2024	TOUCH SCREEN PROTECTOR	1	51	H-72486	PPH #4-40 X 1/2" S/S	12
24	650-2007	RESISTOR PLATE	1	52	H-72515	PPH #10-32 X 1/2" S/S	2
25	650-2019	CONTROL PANEL STICKER, FRONT	1	53	H-72636	FHP #4-40 X .375 SS	4
26	650-2890	KINETECK TOUCH SCREEN CONTROLLER	1	54	H-72914	PPH SMS #8 X 1/2"	10
27	650-2891	4 INCH TOUCH SCREEN	1	55	H-73754	BHSCS 1/4 - 20 X 3/4" SS	4
28	650-9581	RESISTOR	3	56	H-74417	CB 1/4"- 20 X .5" SS	4
				57	H-74418	CB 1/4"- 20 X 5/8" S/S	5

Attaching Tank and Batteries

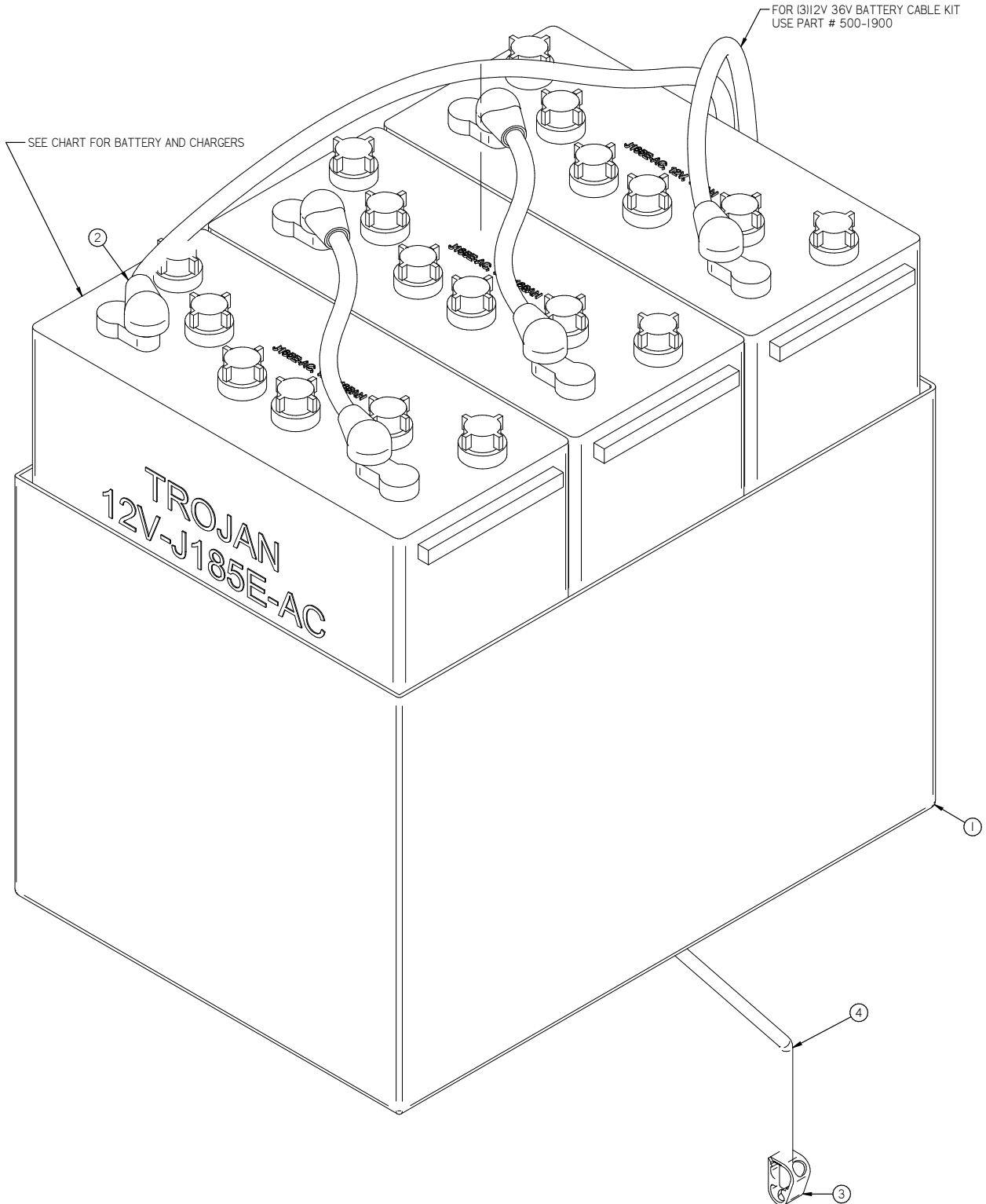


Item	Part No.	Part Description	Qty.	Item	Part No.	Part Description	Qty.
1	270-0001	36V. (3) 12V. BATTERY TRAY	1	11	H-74418	CB 1/4"- 20 X 5/8" S/S	2
2	290-2310	FULL RECOVERY (RED)	2	12	M-9307K65	GROMMET .625 ID X 1.125 OD HOLE .125 THICK PANEL	1
3	370-2930	ALARM (91 dPa)	1	13	M-9307K82	GROMMET, 3/4" ID X 1-3/8" OD BUNA-N	1
4	370-8920	TOGGLE, ON-OFF SPST	1				
5	500-1220	4" SS HINGE	2				
6	500-2910	HEAD LIGHT	2				
7	H-11199	PROTECTIVE BOOT, TOGGLE SWITCH, (BLUE)	1				
8	H-70003	HCS 1/4"-20 X 3/4" SS	7				
9	H-71013	FW 1/4 ID X 5/8 OD SS	7				
10	H-71063	LW 1/4" SS	6				



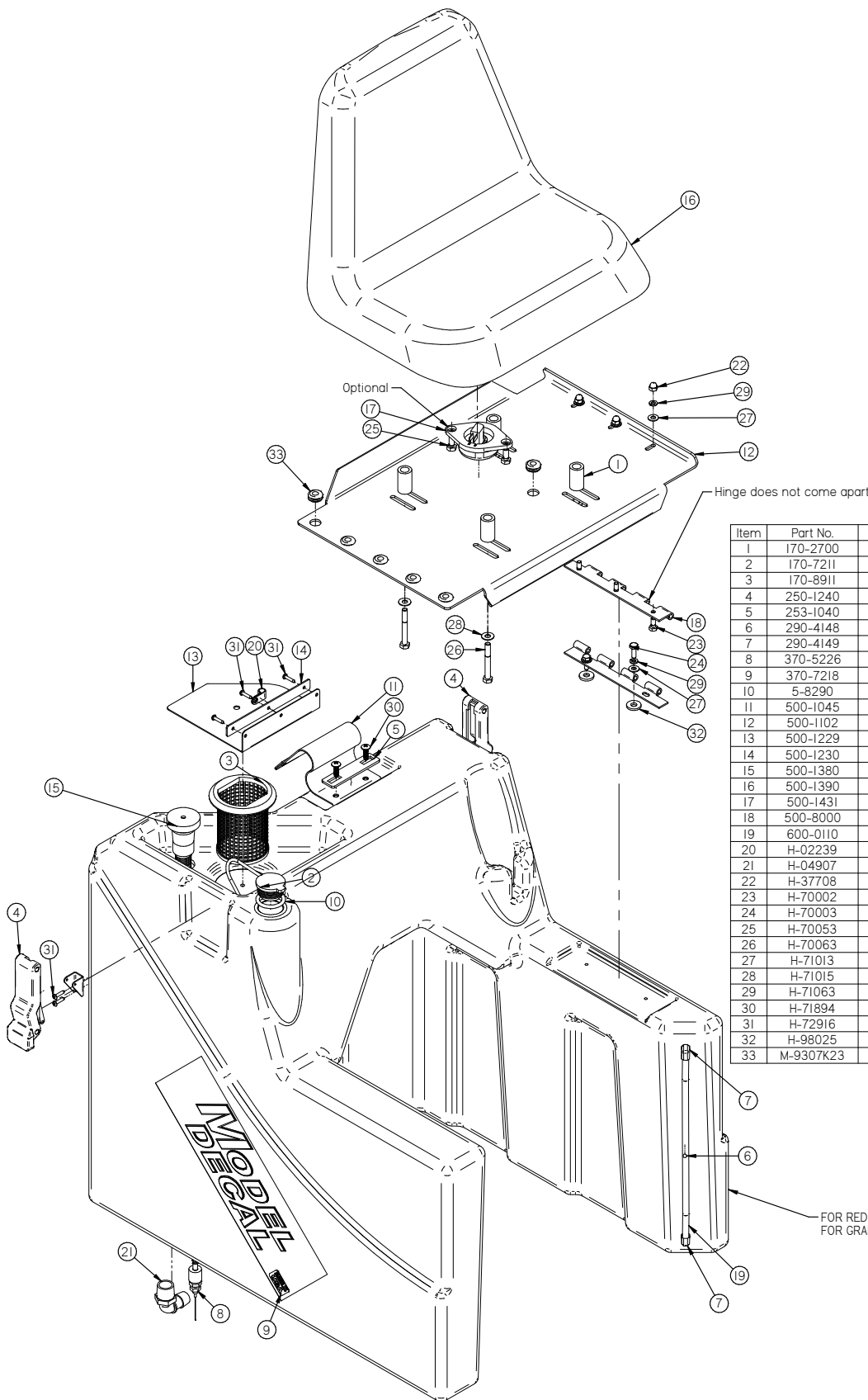
Item	Part No.	Part Description	Qty.
1		2" HOSE	1
2		VAC SWITCH HOSE	1
3		1-1/2 NPT X 1-1/2" BARBED ELBOW	1
4	175-1029	TANK BACK SPLASH	1
5	390-2328	SWITCH, VACUUM SHUTOFF	1
6	5-719	CLAMP 1 9/16 - 2 1/2 " SS	2
7	650-1146	GTR VAC BOX	1
8	650-1148	GTR VAC MUFFLER WALL	1
9	650-2600	SPACER, 2-1/8" LG	3
10	650-3001	VAC MOTOR GASKET	2
11	650-5250	36 V VAC MOTOR	1
12	H-175216	PPH SMS #10 X 1/2" SBO	2
13	H-70015	HCS 1/4"- 20 X 3.0" SS	3
14	H-71013	FW 1/4 ID X 5/8 OD SS	3
15	H-71063	LW 1/4" SS	3
16	M-5463K439	.25 NPT X .125 BARB	1
17	M-90130A029	.25" NEOPRENE WASHER	3

Batteries and Charger Options



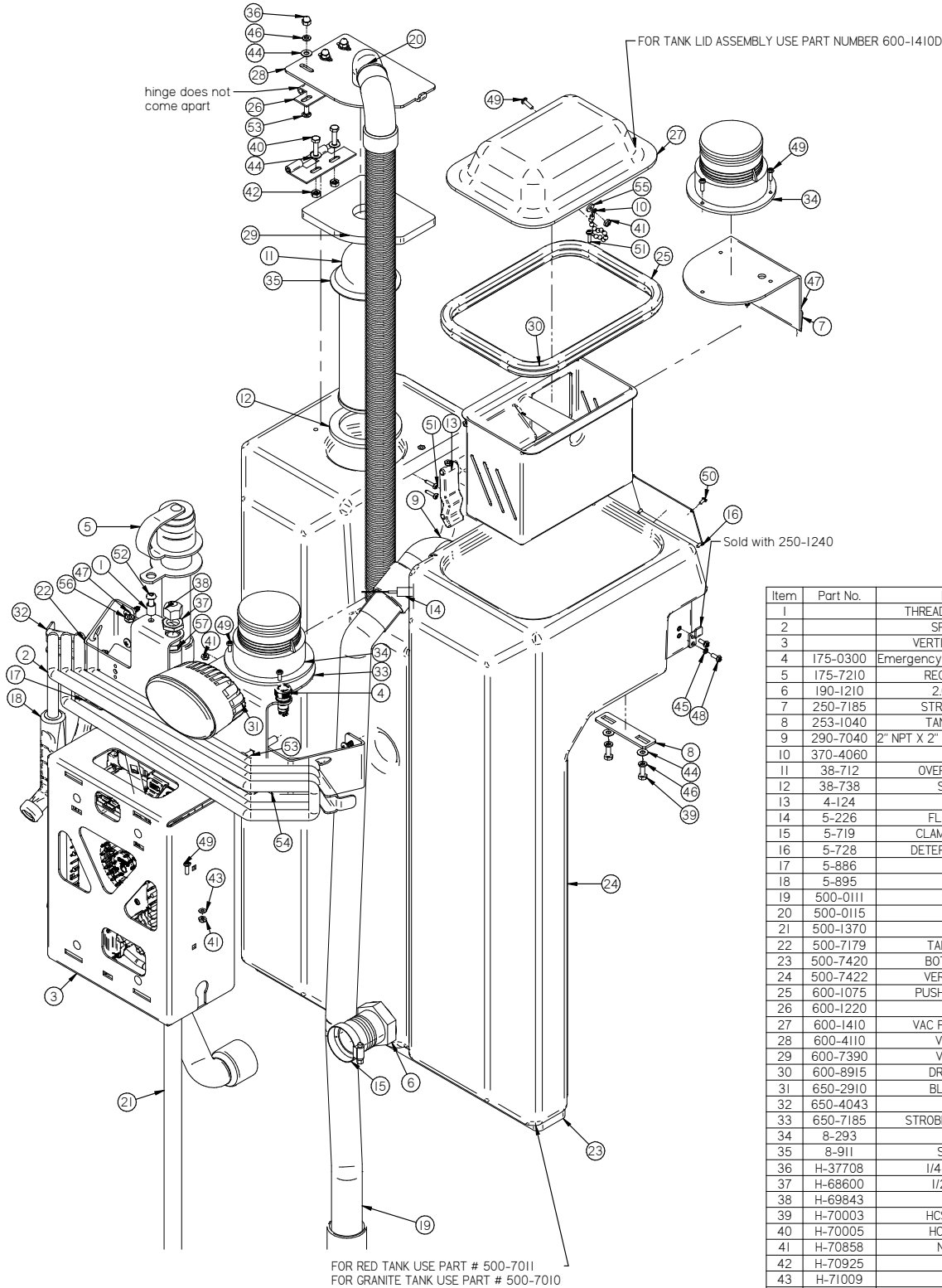
Item	Part No.	Part Description	Qty.
1	270-0001	36V. 131 12V. BATTERY TRAY	1
2	H-40031	BATTERY BOOT	6
3	M-5031K12	CLAMP STYLE PINCH VALVE	1
4	T-031B1450	BATTERY DRAIN HOSE	1

WHICH BATTERY CHARGER TO USE WITH BATTERY SELECTION				
Battery Part Number & Description	Off-Board Charger North American	Off-Board Charger Export	On-Board Charger North American	On-Board Charger Export
STANDARD 253-2110 (12V, 175 AH) WET	600-2540	600-2540	500-2460D	
OPTIONAL 270-2110 (12V, 225 AH) WET	600-2540	600-2540	500-2460D	
OPTIONAL 253-2120 (12V 215 AH) AGM	600-2540	600-2540		

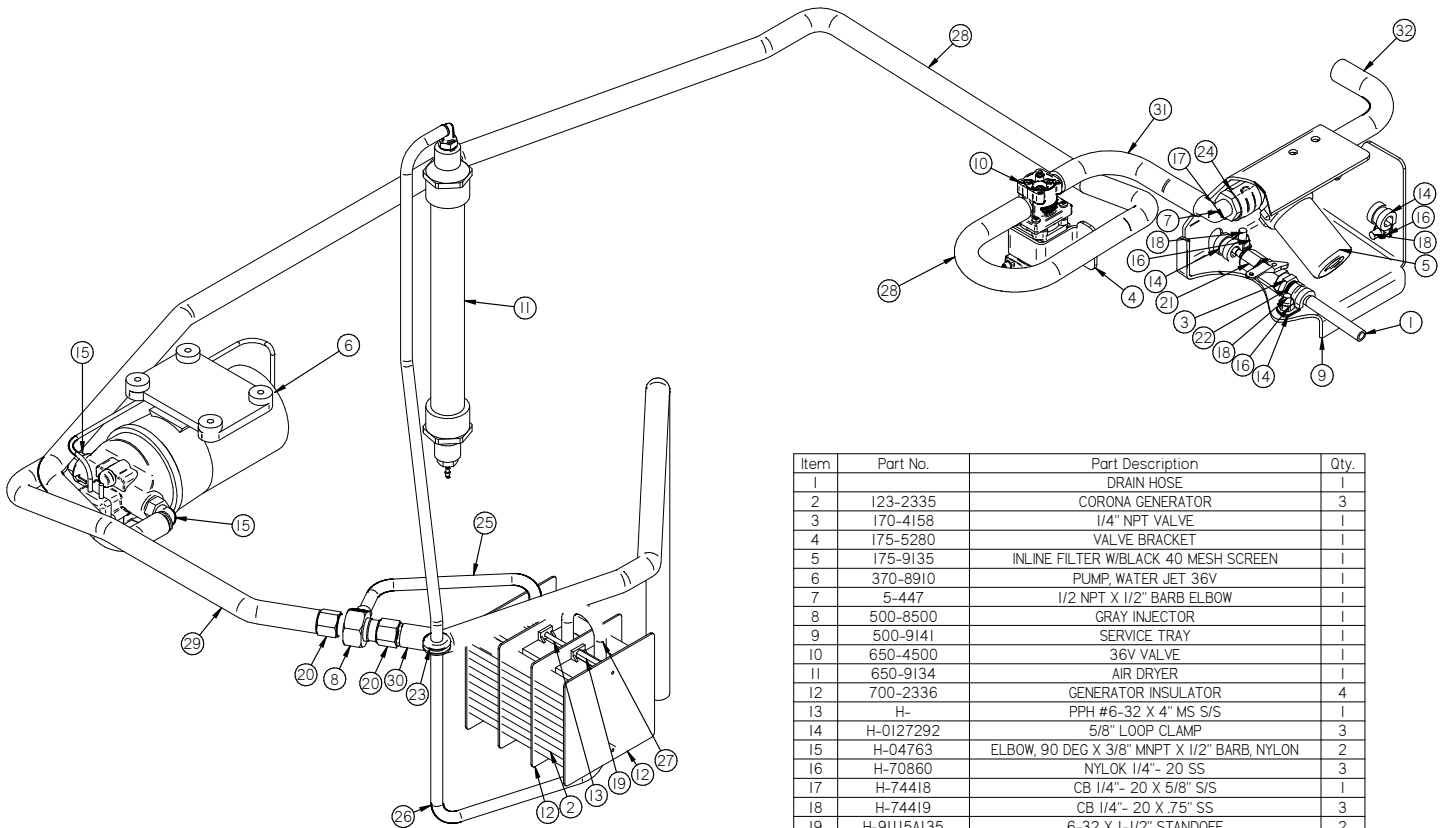


Item	Part No.	Part Description	Qty.
1	170-2700	SPACER, 1-1/2" LG	4
2	170-7211	1-1/2 HOSE CAP	1
3	170-8911	SCREEN STRAINER, 4-1/4" LG	1
4	250-1240	LATCH	2
5	253-1040	TANK STRAP SUPPORT	1
6	290-4148	7/32" POLYPROPYLENE BALL	1
7	290-4149	1/4" NPT X 1/4" BARB X 90 DEG	2
8	370-5226	FLOAT VALVE SWITCH	1
9	370-7218	USA STICKER	2
10	5-8290	O-RING, #324, 1.35" X 1.77" X .210" BUNA-N	1
11	500-1045	TANK STRAP, 22" LG X 4" WIDE	1
12	500-1102	BATTERY LID	1
13	500-1229	SPLASH CURTAIN	1
14	500-1230	CURTAIN BAND	1
15	500-1380	FILL HOSE	1
16	500-1390	SEAT	1
17	500-1431	SEAT SWITCH	1
18	500-8000	8" SS HINGE SHORT FLANGE	1
19	600-0110	sight tube	1
20	H-02239	3/8" VINYL LOOP CLAMP	1
21	H-04907	3/4" NPT TO 3/4" BARBED ELBOW	1
22	H-37708	1/4"-20 LC ACORN NUT	3
23	H-70002	HCS 1/4"-20 X 5/8" SS	3
24	H-70003	HCS 1/4"-20 X 3/4" SS	2
25	H-70053	HCS 5/16"- 18 X 3/4" SS	2
26	H-70063	HCS 5/16"- 18 X 2-1/2" SS	4
27	H-71013	FW 1/4 ID X 5/8 OD SS	5
28	H-71015	FW 5/16 ID X 3/4 OD SS	4
29	H-71063	LW 1/4" SS	5
30	H-71894	#14 X 1" SELF TAPPING SCREW	2
31	H-72916	PPH SMS #8 X 3/4" SS	7
32	H-98025	FW 3/8" GRADE 8	2
33	M-9307K23	GROMMET .625 DIAMETER HOLE .125 THICK PANEL	6

Recovery Tank

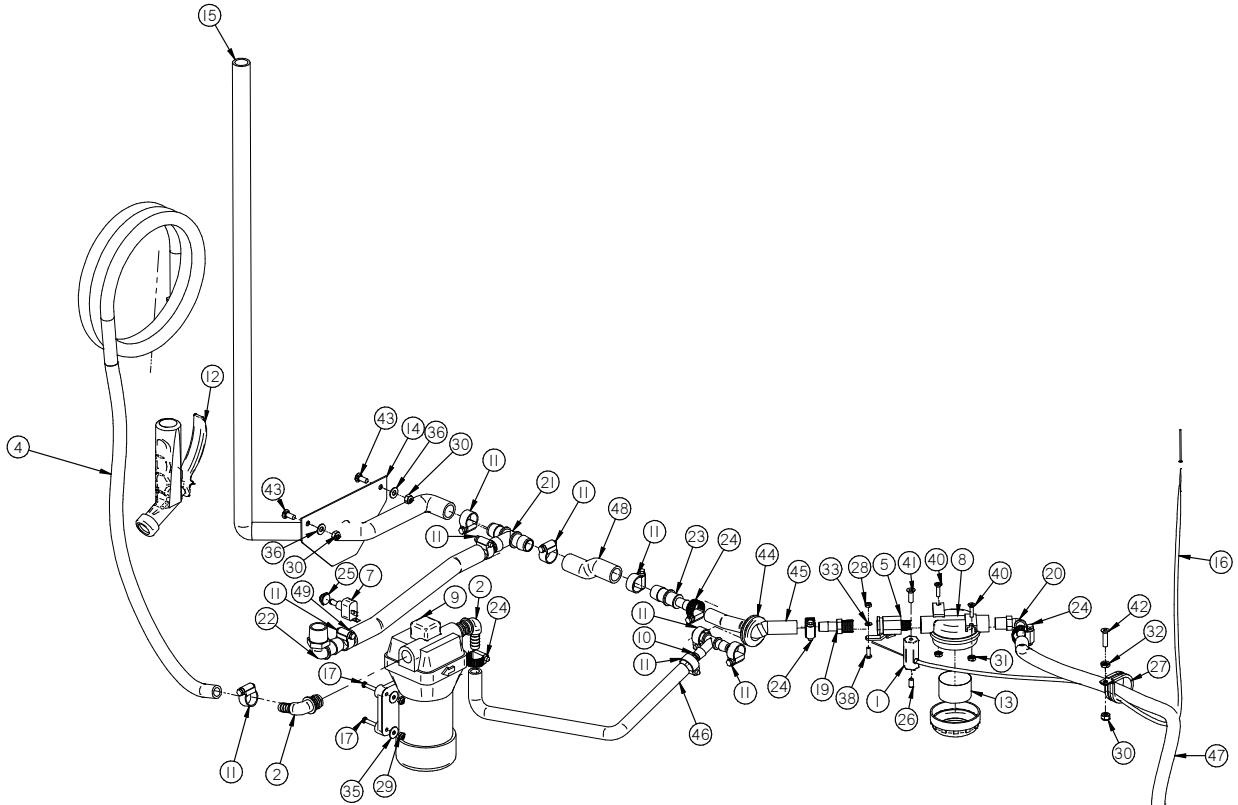


Item	Part No.	Part Description	Qty.
1		THREAD COVER BLACK TUBING	1
2		SPRAY JET HOSE.par	1
3		VERTICAL CHARGER MOUNT	1
4	175-0300	Emergency stop switch, 5I series, 1C/O	1
5	175-7210	RECOVERY DRAIN HOSE	1
6	190-1210	2.0 NPT X 2.0" BARB	1
7	250-7185	STROBE LIGHT BRACKET	1
8	253-1040	TANK STRAP SUPPORT	1
9	290-7040	2" NPT X 2" BARB STREET ELBOW, BLACK	1
10	370-4060	6" LANYARD	1
11	38-712	OVERFILL SHUTOFF BALL	1
12	38-738	STRAINER GASKET	1
13	4-124	LATCH	1
14	5-226	FLOAT VALVE SWITCH	1
15	5-719	CLAMP 1 9/16 - 2 1/2" SS	1
16	5-728	DETERGENT WARNING PLATE	1
17	5-886	WAND CLIP	3
18	5-895	SPRAY NOZZLE	1
19	500-0111	SQUEEGEE HOSE	1
20	500-0115	VAC HOSE	1
21	500-1370	SIGHT TUBE	1
22	500-7179	TANK UTILITY HANDLE	1
23	500-7420	BOTTOM TANK GASKET	1
24	500-7422	VERTICAL TANK GASKET	2
25	600-1075	PUSH-ON RUBBER GASKET	1
26	600-1220	4" SS HINGE	1
27	600-1410	VAC FORMED CLEAR COVER	1
28	600-4110	VAC SCREEN INLET	1
29	600-7390	VAC INLET GASKET	1
30	600-8915	DRAIN SAVER BASKET	1
31	650-2910	BLUE WARNING LIGHT	1
32	650-4043	HOSE WRAP	2
33	650-7185	STROBE/BLUE LIGHT BRACKET	1
34	8-293	STROBE LIGHT	2
35	8-911	SCREEN STRAINER	1
36	H-37708	1/4-20 LC ACORN NUT	3
37	H-68600	1/2" NPT BRASS NUT	1
38	H-69843	.50 NPT CAP	1
39	H-70003	HCS 1/4"-20 X 3/4" SS	2
40	H-70005	HCS 1/4"- 20 X 1" SS	2
41	H-70858	NYLOK #10-32 SS	14
42	H-70925	KN 1/4-20 S/S	2
43	H-71009	FW #10 SS	1
44	H-71013	FW 1/4 ID X 5/8 OD SS	7
45	H-71059	LW #10, SS	4
46	H-71063	LW 1/4" SS	5
47	H-71894	#14 X 1" SELF TAPPING SCREW	7
48	H-72515	PPH #10-32 X 1/2" S/S	10
49	H-72517	PPH #10-32 X 5/8" SS	8
50	H-72902	PPH SMS #6 X 3/8" SS	4
51	H-72916	PPH SMS #8 X 3/4" SS	3
52	H-73780	BHSCS 5/16-18 X 1	1
53	H-74418	CB 1/4"- 20 X 5/8" S/S	9
54	H-74442	CB 3/8"- 16 X 3-1/2" SS	2
55	H-90133	.17 ID X .5 OD X .093 NEOPRENE WASHER	1
56	H-NJ05C	JNYL 5/16"- 18 SS	1
57	M-5346K68	.50 NPT X .75 BARB	1

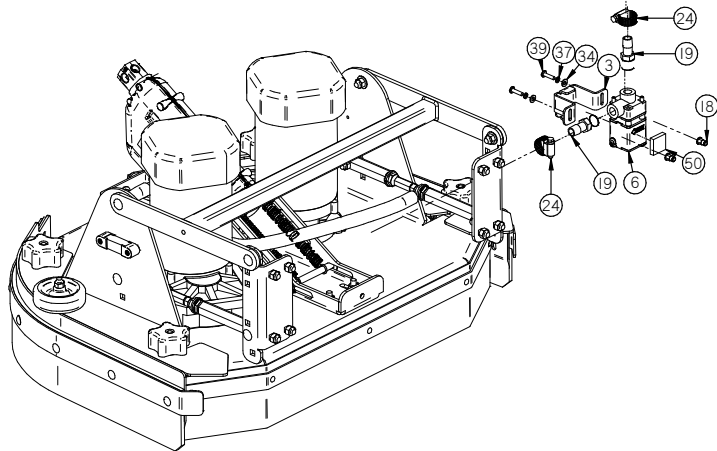


Item	Part No.	Part Description	Qty.
1		DRAIN HOSE	1
2	123-2335	CORONA GENERATOR	3
3	170-4158	1/4" NPT VALVE	1
4	175-5280	VALVE BRACKET	1
5	175-9135	INLINE FILTER W/BLACK 40 MESH SCREEN	1
6	370-8910	PUMP, WATER JET 36V	1
7	5-447	1/2 NPT X 1/2" BARB ELBOW	1
8	500-8500	GRAY INJECTOR	1
9	500-9141	SERVICE TRAY	1
10	650-4500	36V VALVE	1
11	650-9134	AIR DRYER	1
12	700-2336	GENERATOR INSULATOR	4
13	H-	PPH #6-32 X 4" MS S/S	1
14	H-0127292	5/8" LOOP CLAMP	3
15	H-04763	ELBOW, 90 DEG X 3/8" MNPT X 1/2" BARB, NYLON	2
16	H-70860	NYLOK 1/4"- 20 SS	3
17	H-74418	CB 1/4"- 20 X 5/8" S/S	1
18	H-74419	CB 1/4"- 20 X 7/8" SS	3
19	H-91115A135	6-32 X 1-1/2" STANDOFF	2
20	M-5346K38	.375 NPTF X .50 BRASS BARBED HOSE FITTING	2
21	M-5346K51	.25 NPTF X .1875 BRASS BARBED HOSE FITTING	1
22	M-5463K445	.25 NPT X .25 BARB	1
23	M-9307K23	GROMMET .625 DIAMETER HOLE .125 THICK PANEL	1
24	M-9434T22	1.0 DIA One Hole Tube Clamp	2
25	T-025CS6000	BULK 1/4" ID CLEAR SILICONE ZERO HOSE	1
26	T-025CS6000	BULK 1/4" ID CLEAR SILICONE ZERO HOSE	1
27	T-025CS6000	BULK 1/4" ID X 5' CLEAR SILICONE ZERO HOSE	1
28	T-050R6000	BULK 1/2" WIRE REINFORCED HOSE	1
29	T-050R6000	BULK 1/2" WIRE REINFORCED HOSE	1
30	T-050R6000	BULK 1/2" WIRE REINFORCED HOSE	1
31	T-050R6000	BULK 1/2" WIRE REINFORCED HOSE	1
32	T-050R6000	BULK 1/2" WIRE REINFORCED HOSE	1

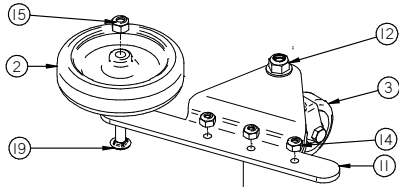
Solution Hoses



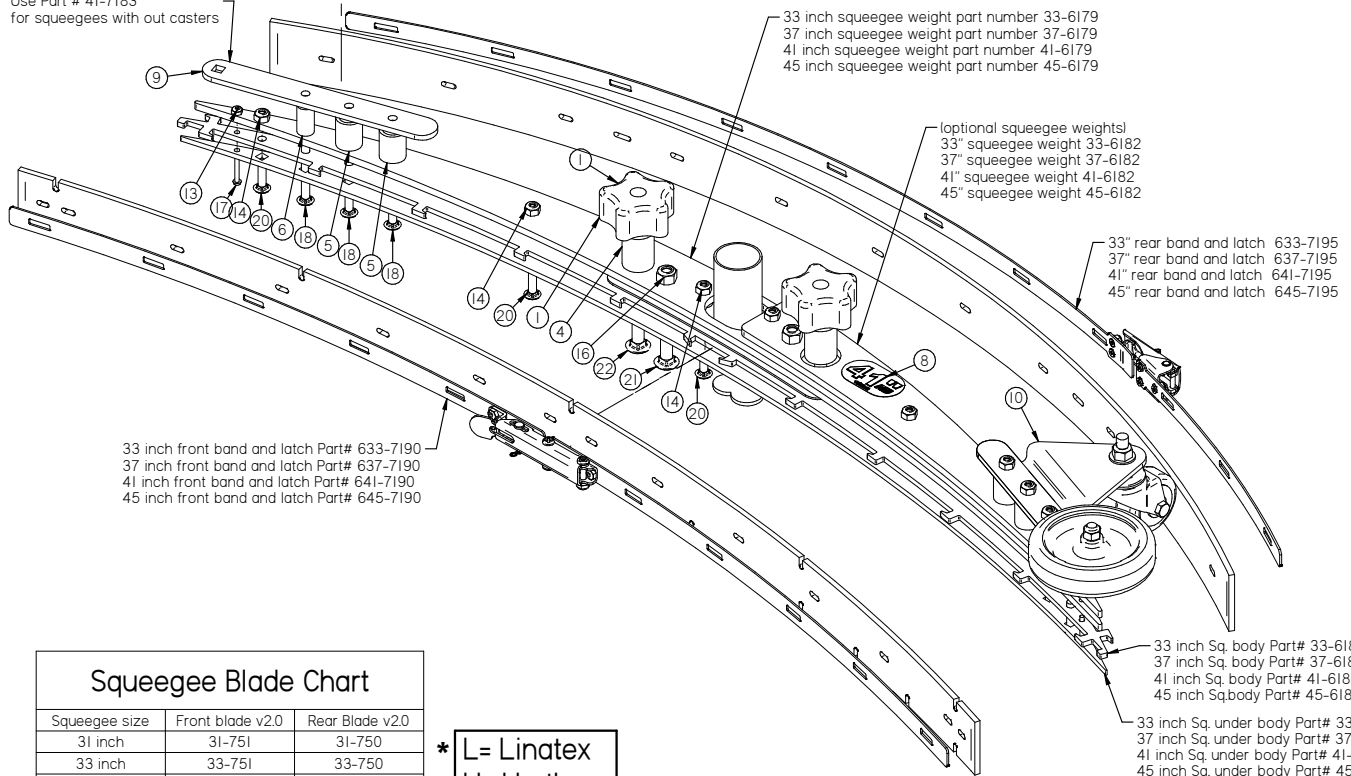
Item	Part No.	Part Description	Qty.
1	150-9131	CABLE GUIDE	1
2	21-1601	1/2" BARBED ELBOW (PLASTIC)	2
3	250-5280	VALVE BRACKET	1
4	290-8960	spray hose	1
5	370-4158	BALL VALVE, 3/8"	1
6	370-7245	FLOW VALVE	1
7	370-8920	TOGGLE, ON-OFF SPST	1
8	370-9130	IN LINE FILTER BODY	1
9	430-8910	PUMP, WATER JET, 36V	1
10	5-446	1/2" PLASTIC BARB TEE	1
11	5-848	CLAMP 9/16"- 1 1/16" SS	9
12	5-895	SPRAY NOZZLE	1
13	5-913S	INLINE FILTER SCREEN	1
14	500-1076	REAR FRAME CURTAIN	1
15	500-1370	Rear sight tube	1
16	500-2014	PUSH/PULL CABLE SLEEVE	1
17	H-0172522	CB #10-32 X 1-1/4" SS	3
18	H-02309	HCN #10-32, LG CRIMP	2
19	H-04763	.375 NPT X .50 BARB	3
20	H-04764	ELBOW, 90 DEG X 3/8" MNPT X 1/2" BARB, NYLON	1
21	H-04906	3/4" PLASTIC BARB TEE	1
22	H-04907	3/4" NPT TO 3/4" BARBED ELBOW	1
23	H-04908	3/4" to 1/2" COUPLING	1
24	H-081	CLAMP 7/16"- .25/32" SS	6
25	H-11199	PROTECTIVE BOOT, TOGGLE SWITCH, (BLUE)	1
26	H-25382	SETScrew, KCP, 1/4"-20 X 1/2"	1
27	H-3225T	1-1/2" LOOP CLAMP	1
28	H-70855	NYLOK #6-32 SS	1
29	H-70858	NYLOK #10-32 SS	1
30	H-70860	NYLOK 1/4"- 20 SS	3
31	H-70923	KN #10-32 SS	1
32	H-70925	KN 1/4-20 S/S	1
33	H-71007	FW #8 SS	1
34	H-71009	FW #10 SS	1
35	H-71010	FW #10 ID X 1 1/16 OD SS	1
36	H-71013	FW 1/4 ID X 5/8 OD SS	2
37	H-71059	LW #10, SS	1
38	H-72516	PPH #6-32 X 1/2" SS	1
39	H-72534	PPH #10-32 X 3/4" S/S	1
40	H-72684	FHP 10-32 X 3/4" SS	2
41	H-73882	FHSCS 1/4- 20 X 3/4" S/S	1
42	H-73883	FHSCS 1/4- 20 X 1.0" S/S	1
43	H-74418	CB 1/4"- 20 X 5/8" S/S	2
44	H-9307K74	GROMMET, 1" ID X 1-3/4" OD BUNA-N	1
45	T-050R0800	1/2"ID X 8'LG SOLUTION HOSE	1
46	T-050R0900	1/2"ID X 9'LG SOLUTION HOSE	1
47	T-050R2300	1/2"ID X 23'LG SOLUTION HOSE	1
48	T-075R0500	3/4"ID X 5'LG SOLUTION HOSE	1
49	T-075R1400	3/4"ID X 14'LG SOLUTION HOSE	1
50	T-438350025	VALVE PAD	1



Item	Part No.	Part Description	Qty.
1	150-5786	STAR KNOB, 3/8-16 THREAD	2
2	150-7600	4" SIDE WHEEL (GREY)	2
3	253-7570	CASTER	2
4	36-8460	STANDOFF, 1.25"	2
5	37-0007	SQUEEGEE ROLLER SPACER	4
6	37-0008	SQUEEGEE ROLLER SPACER	2
7	41-1310	SQUEEGEE CURTAIN (HD)	1
8	41-1600	41 inch sticker	1
9	41-7183	SQUEEGEE ROLLER BRACKET	2
10	45-7183	SQUEEGEE CASTER BRACKET (LH)	1
11	45-7184	SQUEEGEE CASTER BRACKET (RH)	1
12	H-0129152A	FLANGED NUT 3/8-16	2
13	H-70855	NYLOK #6-32 SS	2
14	H-70860	NYLOK 1/4"- 20 SS	12
15	H-70861	NYLOK 5/16"- 18 SS	2
16	H-70862	NYLOK 3/8"-16 SS	2
17	H-72390	PPH #6-32 X 1" MS S/S	2
18	H-74397	CB 1/4"- 20 X 2-1/4" SS	6
19	H-74401	CB 5/16"- 18 X 1-3/4" SS	2
20	H-74420	CB 1/4"- 20 X 1.0" SS	6
21	H-74437	CB 3/8"- 16 X 1-1/4" SS	2
22	H-74441	CB 3/8"- 16 X 3.0" SS	2



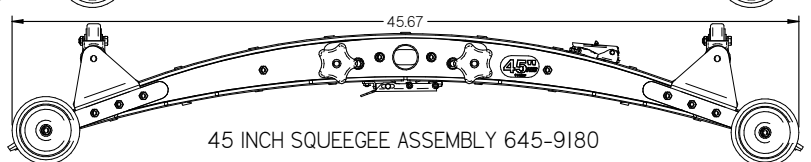
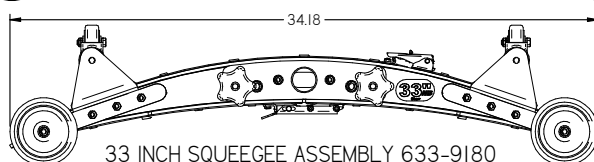
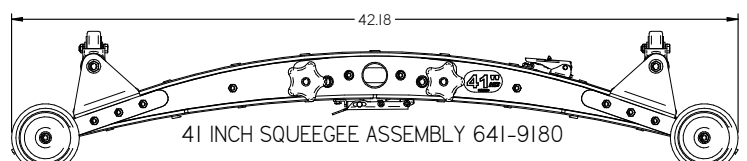
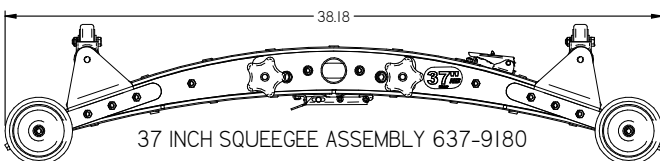
Use Part # 41-7183 for squeegees with out casters



Squeegee Blade Chart

Squeegee size	Front blade v2.0	Rear Blade v2.0
31 inch	31-751	31-750
33 inch	33-751	33-750
37 inch	37-751	37-750
41 inch	41-751	41-750
45 inch	45-751	45-750

* L= Linatex
 U= Urethane



Common Wear Parts

ROUND DISK BRUSHES:

NOTICE	
The ## in Disk Column Denotes Desk Pad Size: 13" or 14"	

BRUSHES	DISK	LEVEL
Super Grit	##-382SS	Very High
Tough Grit	##-382S	High
Midi Grit	##-382C	Medium
Light Grit	##-382PS	Moderate
Poly	##-382P	Light
Nylon	##-382N	Light
Tampico	##-382T	Light
Pad Driver	##-382D	
Diamond Driver	##-382DD	

ROUND DISK PADS:

NOTICE			
The ## in Disk Column Denotes Desk Pad Size: 13" or 14"			

DISK PADS	DISK	LEVEL	COLOR
Super Black	##-422BB	Very High	Black
Black	##-422B	High	Black
Brown	##-422BR	High	Brown
Green	##-422G	Medium	Green
Blue	##-422BL	Moderate	Blue
Red	##-422R	Moderate	Red
White	##-422W	Light	White

CYLINDRICAL BRUSHES:

BRUSHES	MODEL 25" CYLINDRICAL	MODEL 29" CYLINDRICAL	LEVEL
Tough Grit	236-697S	276-697S	High
Midi Grit	236-697C	276-697C	Medium
Light Grit	236-697PS	276-697PS	Moderate
Nylon	236-697N	276-697N	Light
Tampico	236-697T	276-697T	Light

ORBITAL PADS AND SCREENS:

DESCRIPTION	24"×14" SCRUBDECK	28"×14" SCRUBDECK
White Pad	N/A	EDGE-4054
Red Pad	EDGE-2404	EDGE-4053
Blue Pad	EDGE-2403	EDGE-4052
Green Pad	EDGE-2402	EDGE-4051
Black Pad	EDGE-2401	EDGE-4050
White Driver Pad	N/A	EDGE-4058
400 Grit Diamond Polishing Pad	N/A	EDGE-4013
800 Grit Diamond Polishing Pad	N/A	EDGE-4014
1500 Grit Diamond Polishing Pad	N/A	EDGE-4015
3000 Grit Diamond Polishing Pad	N/A	EDGE-4016
6000 Grit Diamond Polishing Pad	N/A	EDGE-4070
Tile/Grout Renovator Pad	N/A	EDGE-4048
Dominator HD Strip Pad	N/A	EDGE-4055
Maroon ECO Prep Pad	EDGE-2407	EDGE-4056

SQUEEGEE BLADE KITS & COMPLETE SQUEEGEE ASSEMBLIES:

SQUEEGEE SIZE	26" DISK DECKS	28" DISK DECKS	25" CYL. DECKS	29" CYL. DECKS	24" EDGE DECKS	28" EDGE DECK
33" Squeegee	Standard	Optional	Standard	Optional	Standard	Optional
37" Squeegee	Optional	Standard	Optional	Standard	Optional	Standard

SQUEEGEE SIZE	LINATEX BLADE KIT	URETHANE BLADE KIT	COMPLETE SQUEEGEE ASSEMBLIES
33" Squeegee	633-770L	633-770U	633-9180
37" Squeegee	637-770L	637-770U	637-9180
41" Squeegee	641-770L	641-770U	641-9180

SQUEEGEE MATERIAL:	USED FOR:
LINATEX	Provides best wear and tear resistance. Not designed for use with harsh chemicals.
URETHANE	Provides best resistance when dealing with harsh chemicals, oils, fuels, etc.
GUM	Provides best drying performance on rough/grouted floor types by sealing over irregularities. Short life.

NOTICE

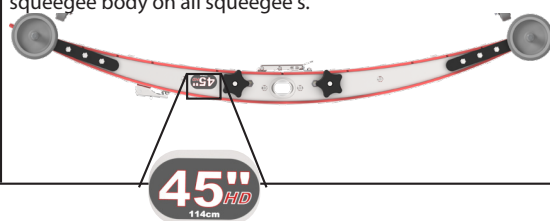
Squeegee blade kits include (1) Rear Blade, (1) Front Blade, and (2) Caster Wheels with hardware.

NOTICE

Squeegee Assemblies (complete) listed above all come with Linatex blades.

NOTICE

Size is indicated by decal on top of the painted steel squeegee body on all squeegee's.



Central Command Decals

Military Grade

Part #:600-2025

Legacy

Part #:600-2020

Touch Screen

Part #:600-6026

Models / Options / Squeegee Size Decals

Part #:500-1510

Part #:370-7201

Part #:175-1521

Part #:123-1837

Part #:123-1838

Part #:123-1843

Part #:500-2020

Part #:33-1601

Part #:37-1601

Part #:41-1601

BLANK

THIS PAGE WAS INTENTIONALLY LEFT BLANK

BLANK

THIS PAGE WAS INTENTIONALLY LEFT BLANK



1711 South Street
Racine, WI 53404
www.factorycat.com
262-681-4060