
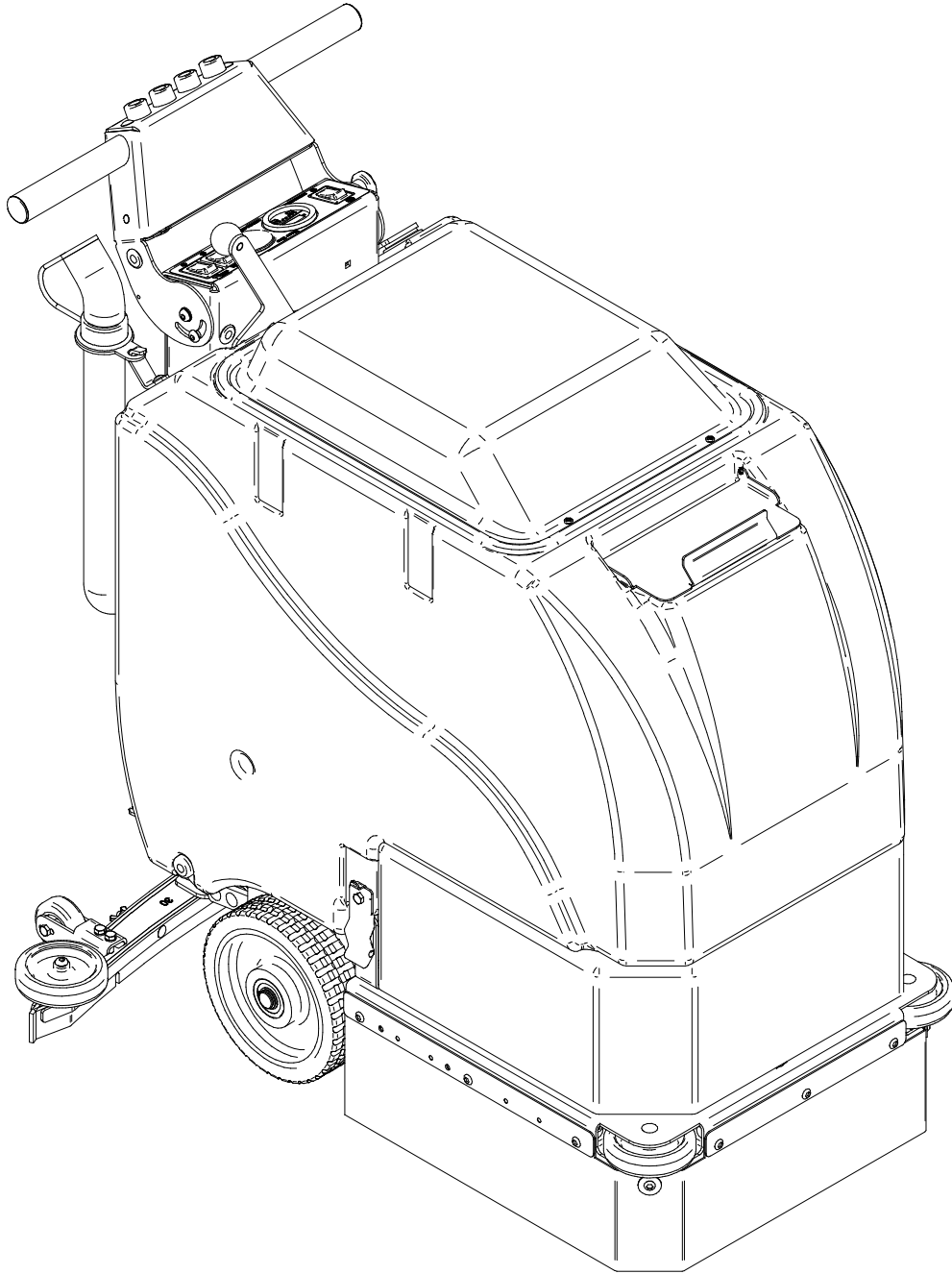



# FACTORYCAT®

# MICROMAG

## Parts Manual (EN)



Read the Operators Manual before using the machine.



Read the Safety Messages before servicing machine.

www.factorycat.com  
1711 South Street  
Racine, WI 53404 (USA)  
(800) 634-4060 | (+001) 262-681-3583  
© 2023 RPS Corporation

Scan With Phone for more Information

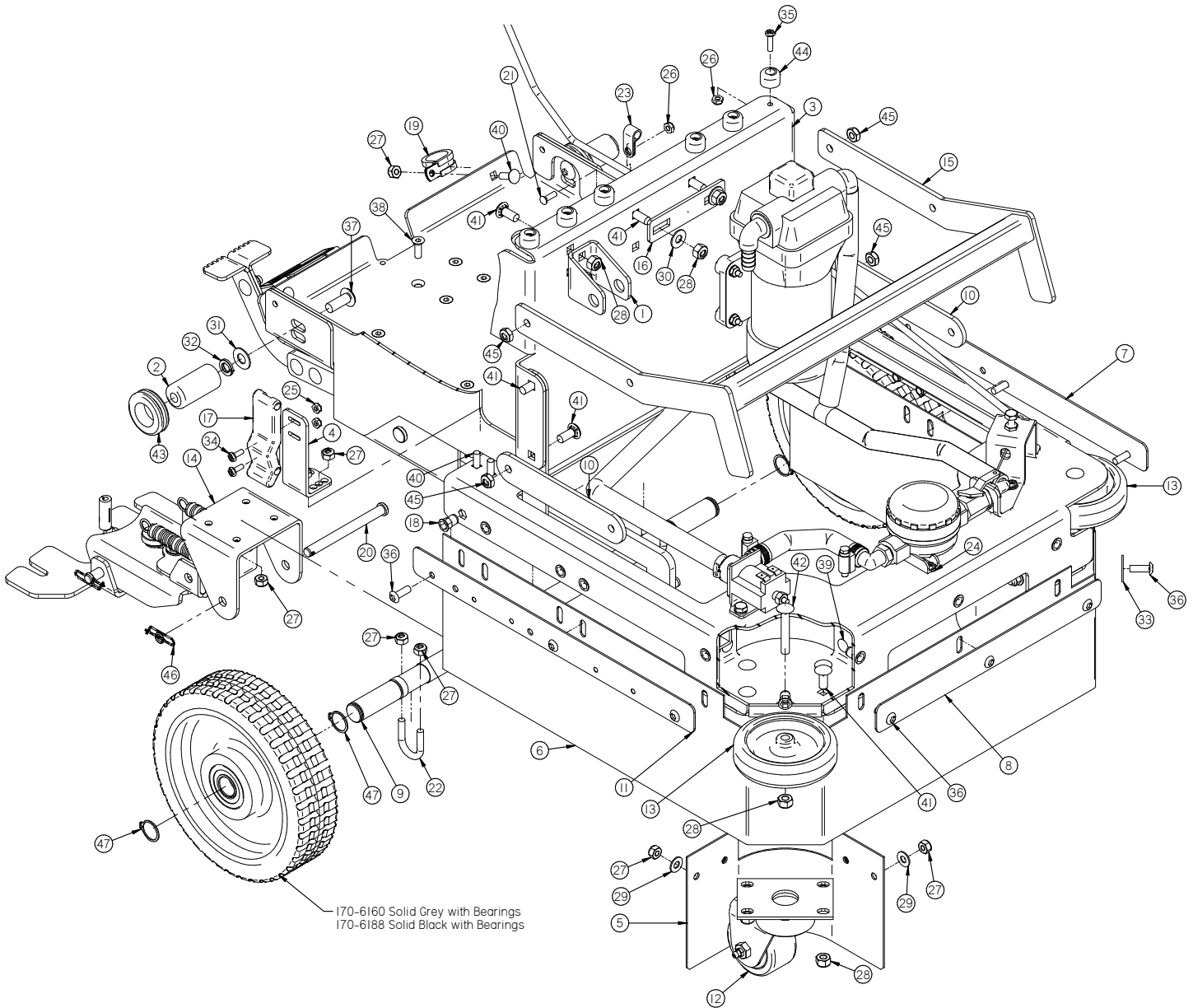


V23.120  
FC-MICROMAG-P-EN



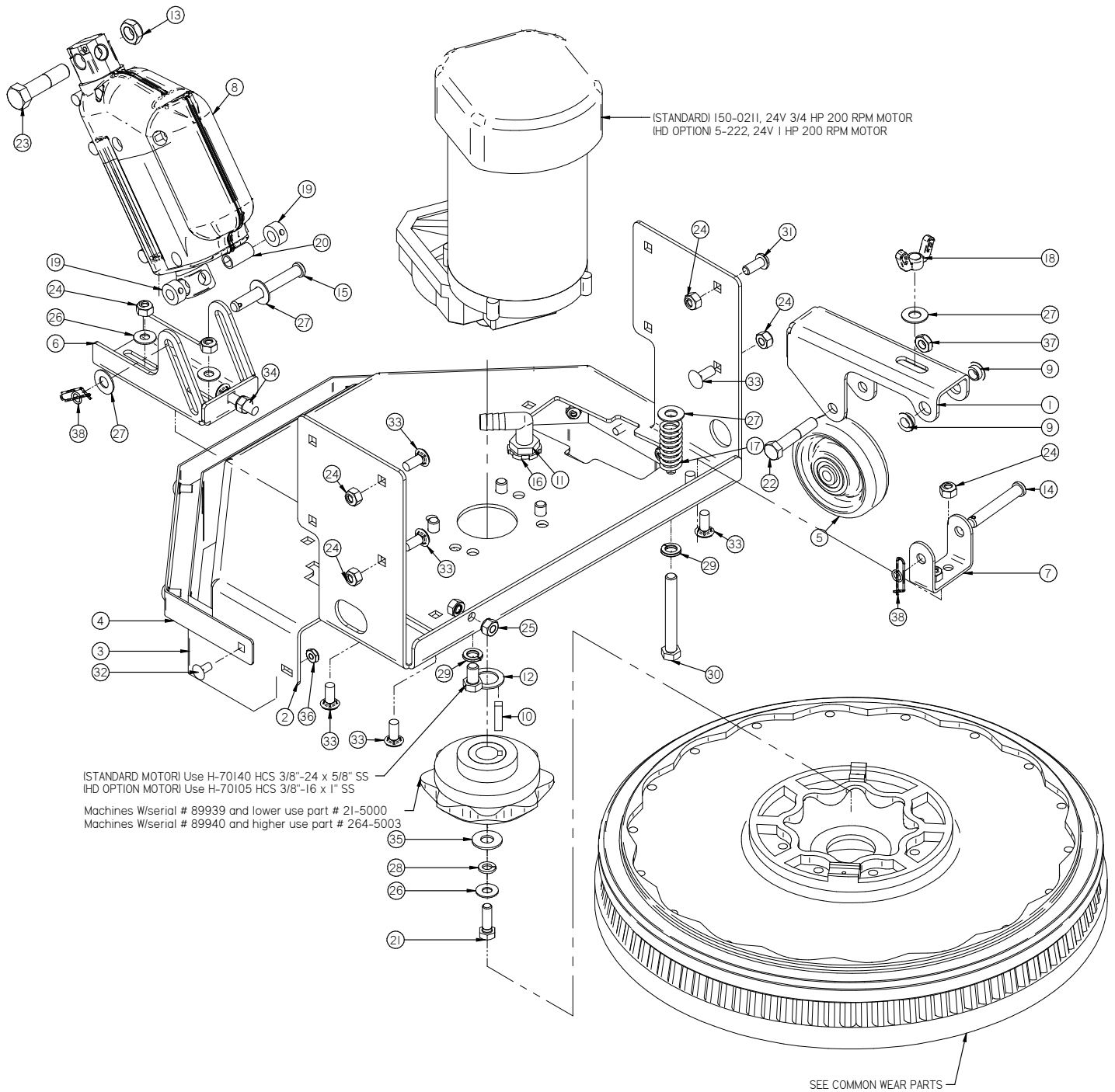
---

17 Inch Frame - Pad Drive .....	4
17 Inch Frame - Traction Drive .....	6
20 Inch Frame - Pad Drive .....	8
20 Inch Frame - Traction Drive .....	10
Batteries and Chargers.....	12
Solution Flow Filter .....	14
Tank Assembly - Serial Number 94937 and greater .....	15
Baffle Assembly - Serial Number 94937 and greater .....	16
Tank Assembly - Serial Number 94936 and lower.....	17
Clear Dome Lid Assembly .....	18
Central Command - Pad Drive .....	19
Squeegee Drag Link Assembly .....	22
Clean Caddy.....	24
Common Wear Parts .....	25
Common Wear Parts .....	26



Item	Part No.	Part Description	Qty.	Item	Part No.	Part Description	Qty.
1	150-1006	LIFTING BRACKET	1	25	H-70856	NYLOK #8-32 SS	4
2	150-1060	BOSS	2	26	H-70858	NYLOK #10-32 SS	7
3	150-1100	17 INCH MAIN FRAME PAD DRIVE	1	27	H-70860	NYLOK 1/4"- 20 SS	24
4	150-1124	LATCH BRACKET	2	28	H-70861	NYLOK 5/16" - 18 SS	14
5	150-1165	CASTER CURTAIN	2	29	H-71013	FW 1/4 ID X 5/8 OD SS	8
6	150-1166	FRAME CURTAIN (17" BRUSH)	1	30	H-71015	FW 5/16 ID X 3/4 OD SS	2
7	150-1168	FRAME SIDE CURTAIN BAND (17" LHI)	1	31	H-71017	FW 3/8 ID X 7/8 OD SS	2
8	150-1169	MAIN FRAME FRONT CURTAIN BAND	1	32	H-71067	LW 3/8" SS	2
9	150-1171	AXLE	1	33	H-71212	FNW 1/4 ID X 1.0 OD SS	2
10	150-1240	LATERAL ARM	2	34	H-72398	PPH #8-32 X 1/2" S/S	4
11	150-1268	FRAME SIDE CURTAIN BAND (17" RH)	1	35	H-72534	PPH #10-32 X 3/4" S/S	6
12	150-3030	CASTER	2	36	H-73754	BHSCS 1/4 - 20 X 3/4" SS	11
13	150-7600	4" SIDE WHEEL (GREY)	2	37	H-73817	BHSCS 3/8"- 16 X 1-1/2" SS	2
14	150-7611	SQUEEGEE DRAG BRACKET	1	38	H-73882	FHSCS 1/4- 20 X 3/4" S/S	6
15	150-9586	LATERAL ARM	1	39	H-74418	CB 1/4"- 20 X 5/8" S/S	8
16	253-1040	TANK STRAP SUPPORT	1	40	H-74419	CB 1/4"- 20 X .75" SS	5
17	4-124	LATCH	2	41	H-74429	CB 5/16"- 18 X 3/4" SS	16
18	H-00918	HCN 1/4"-20 LG	17	42	H-74433	CB 5/16"- 18 X 2" SS	2
19	H-0127296	1.0" LOOP CLAMP	1	43	H-9307K74	GROMMET, 1" ID X 1-3/4" OD BUNA-N	2
20	H-0156759	3/8" X 4" CLEVIS PIN (ZINK)	1	44	H-9540	RUBBER BUMPER, 25/32"	6
21	H-0172519	CB #10-32 X 5/8" SS	1	45	H-NJ05C	JNYL 5/16"- 18 SS	4
22	H-0175683	U-BOLT .25 -20 X .375 X 1.25 SS	2	46	H-RUE14	3/8" RUE RING COTTER	1
23	H-02239	3/8" VINYL LOOP CLAMP	1	47	M-98585A115	SNAPRING 3/4" HEAVY DUTY	4
24	H-02309	HCN #10-32, LG CRIMP	4				

17 Inch Disk Deck - Pad Drive

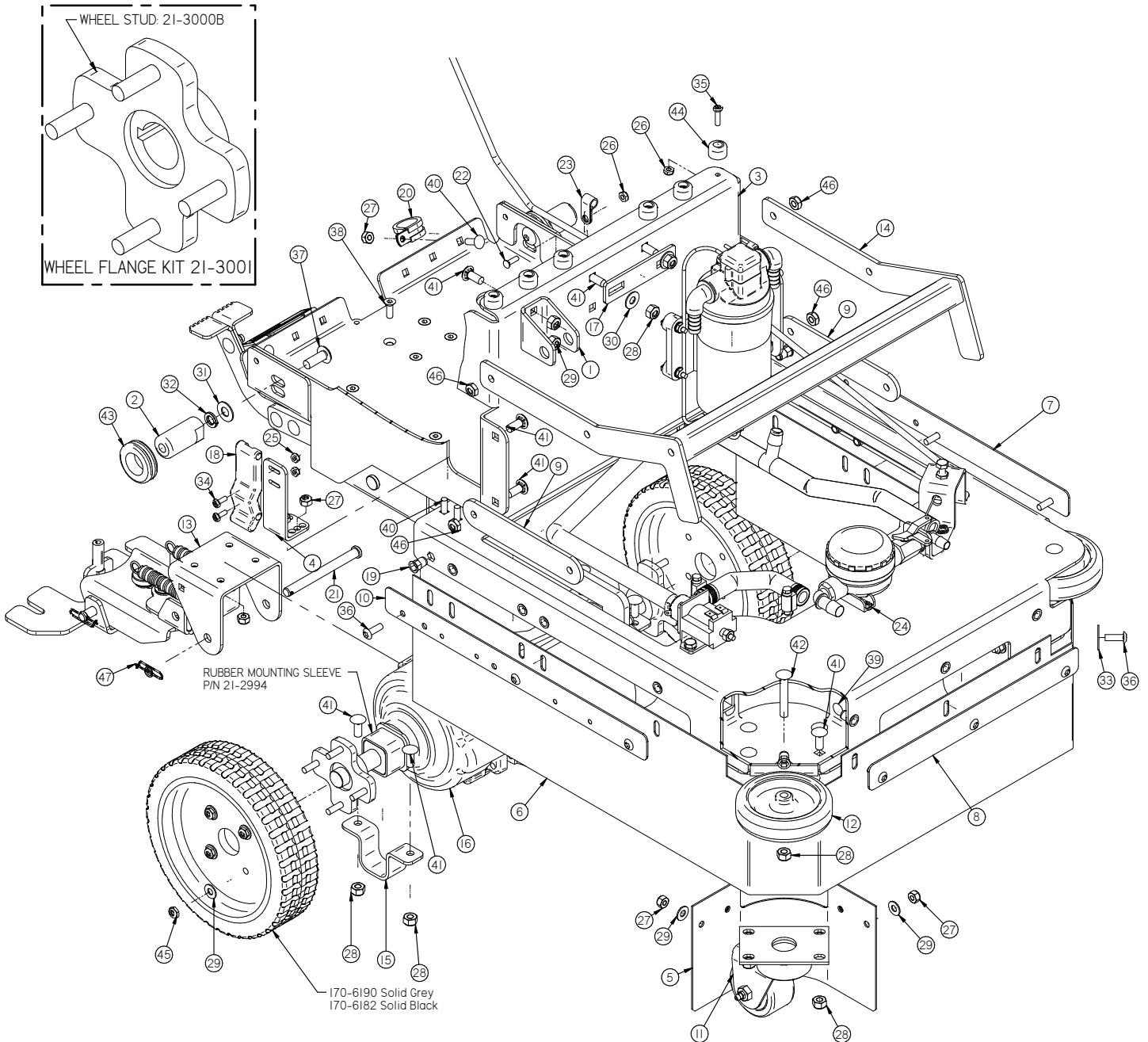


(STANDARD MOTOR) Use H-70140 HCS 3/8"-24 x 5/8" SS  
 (HD OPTION MOTOR) Use H-70105 HCS 3/8"-16 x 1" SS

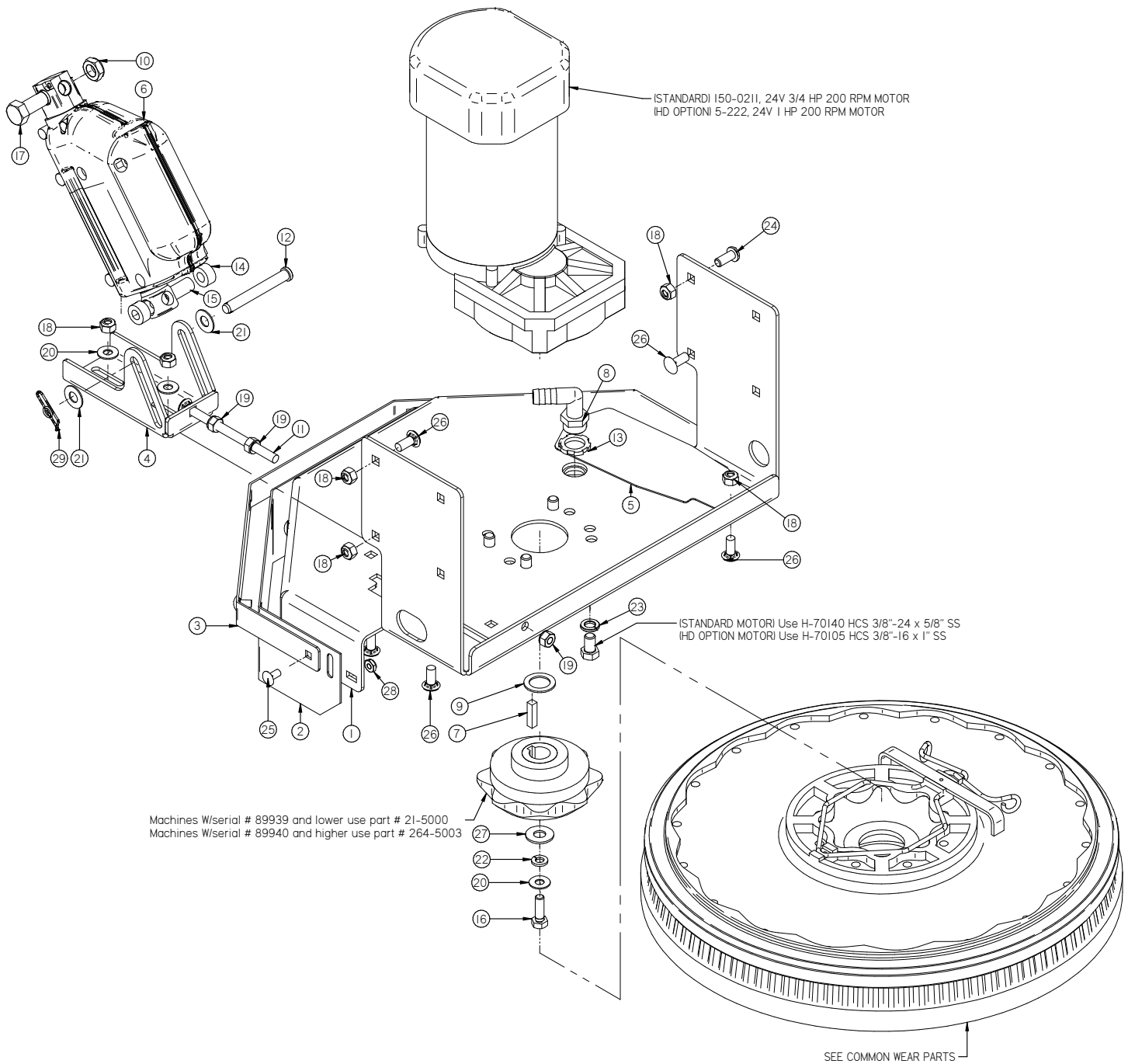
Machines W/serial # 89939 and lower use part # 21-5000  
 Machines W/serial # 89940 and higher use part # 264-5003

SEE COMMON WEAR PARTS

Item	Part No.	Part Description	Qty.	Item	Part No.	Part Description	Qty.
1	150-1030	DECK WHEEL PIVOT BRACKET	1	21	H-70055	HCS 5/16"- 18 X 1" SS	1
2	150-1125	DISK DECK PLATFORM, 17"	1	22	H-70111	HCS 3/8"- 16 X 2" SS	1
3	150-1170	DISK DECK CURTAIN, 17"	1	23	H-70211	HCS 1/2"-13 X 2.0" SS	1
4	150-1175	DISK DECK CURTAIN BAND, 17"	1	24	H-70861	NYLOK 5/16" - 18 SS	8
5	150-3020	WHEEL, 3-1/2 x 1-3/8, POLY GREY	1	25	H-70926	KN 15/16-18 S/S	3
6	150-9003	LIFTING BRACKET	1	26	H-71015	FW 5/16 ID X 3/4 OD SS	3
7	190-1035	DECK WHEEL PIVOT SUPPORT	1	27	H-71017	FW 3/8 ID X 7/8 OD SS	4
8	253-2240	2" STROKE 24V ACTUATOR 450 LB LOAD	1	28	H-71065	LW 5/16" SS	1
9	290-1233	3/8" ID, 1/2" OD, 1/4" LG BEARING	2	29	H-71067	LW 3/8" SS	5
10	5-431	1/4" X 1" KEY	1	30	H-71191	HCS 3/8"- 16 X 3" SS	1
11	5-447	1/2 NPT X 1/2" BARB ELBOW	1	31	H-73779	BHSCS 5/16-18 X 3/4"	1
12	H-00222	FW 3/4" ID X 1 1/8" OD X 3/32" SS	1	32	H-74417	CB 1/4"- 20 X 5" SS	6
13	H-0129159	JNYL, 1/2"-13, 18-8 SS	1	33	H-74429	CB 5/16"- 18 X 3/4" SS	7
14	H-0156754	CLEVIS PIN, 3/8" X 2-1/2" (ZINK)	1	34	H-74432	CB 5/16"- 18 X 1-1/2" SS	1
15	H-0156756	CLEVIS PIN 3/8" x 3.00"	1	35	H-99001	FW 3/8" SS NOM ID .4375 X OD 1.0	1
16	H-07005	1/2" NPT LOCKNUT	2	36	H-NJ04C	JNYL 1/4" - 20 SS	6
17	H-1111	SPRING, 1/2" ID X 2-1/2" LG	1	37	H-NJ06C	JNYL 3/8"- 16 SS	1
18	H-11101613	WINGNUT 3/8-16, NYLOK SS	1	38	H-RUE14	3/8" RUE RING COTTER	2
19	H-33372	SHAFT COLLAR, 3/8" ID	2				
20	H-63917	SLEEVE, .50 OD X .375 ID X 1.0 LG	1				

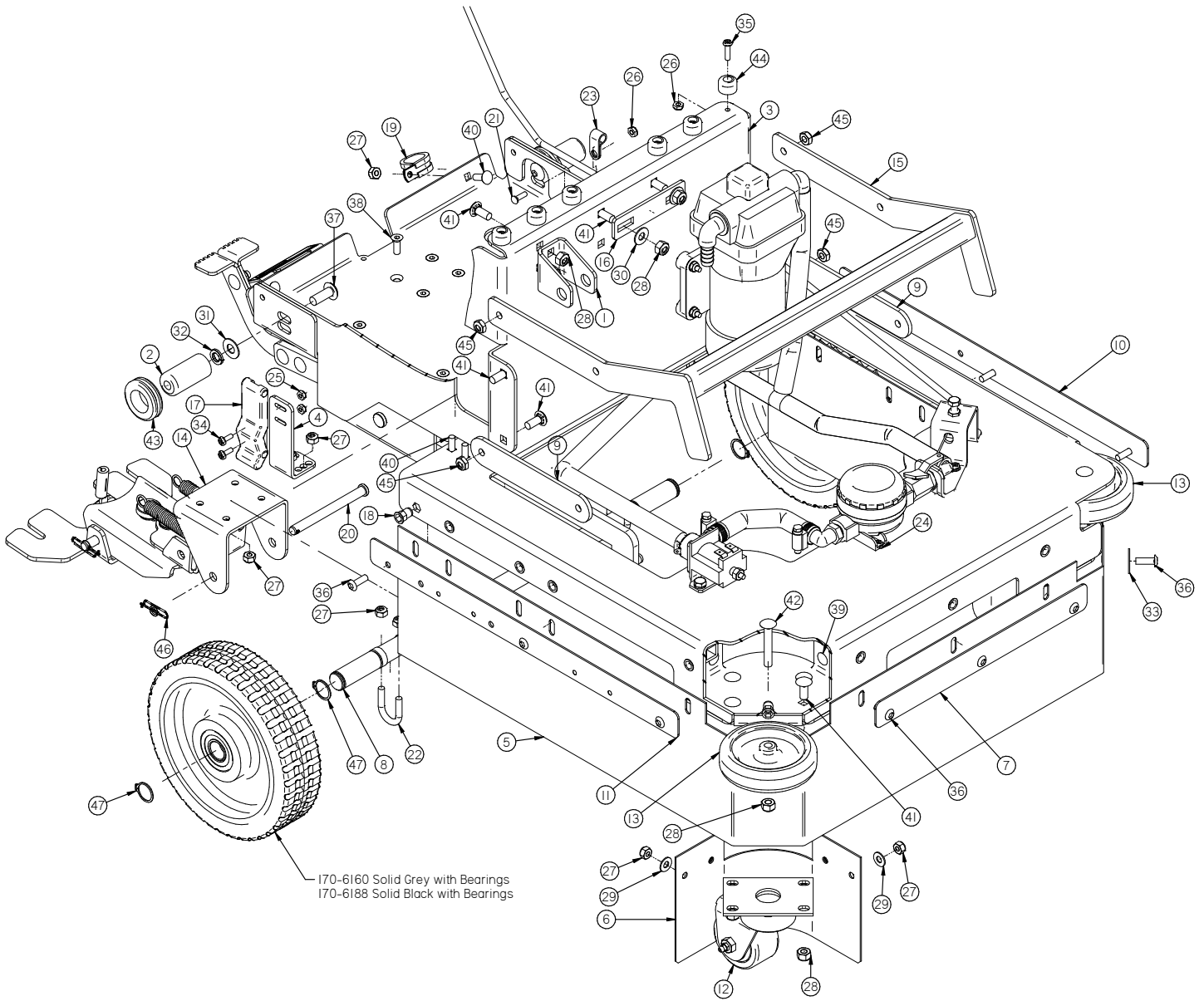


Item	Part No.	Part Description	Qty.	Item	Part No.	Part Description	Qty.
1	150-1006	LIFTING BRACKET	1	25	H-70856	NYLOK #8-32 SS	4
2	150-1060	BOSS	2	26	H-70858	NYLOK #10-32 SS	7
3	150-1102	17 INCH MAIN FRAME TRACTION DRIVE	1	27	H-70860	NYLOK 1/4"- 20 SS	20
4	150-1124	LATCH BRACKET	2	28	H-70861	NYLOK 5/16" - 18 SS	18
5	150-1165	CASTER CURTAIN	2	29	H-71013	FW 1/4 ID X 5/8 OD SS	16
6	150-1167	MAIN FRAME CURTAIN (17" TRACI	1	30	H-71015	FW 5/16 ID X 3/4 OD SS	2
7	150-1168	FRAME SIDE CURTAIN BAND (17" LHI	1	31	H-71017	FW 3/8 ID X 7/8 OD SS	2
8	150-1169	MAIN FRAME FRONT CURTAIN BAND	1	32	H-71067	LW 3/8" SS	2
9	150-1240	LATERAL ARM	2	33	H-71212	FNW 1/4 ID X 1.0 OD SS	2
10	150-1268	FRAME SIDE CURTAIN BAND (17" RH)	1	34	H-72398	PPH #8-32 X 1/2" S/S	4
11	150-3030	CASTER	2	35	H-72534	PPH #10-32 X 3/4" S/S	6
12	150-7600	4" SIDE WHEEL (GREY)	2	36	H-73754	BHSCS 1/4 - 20 X 3/4" SS	11
13	150-7611	SQUEEGEE DRAG BRACKET	1	37	H-73817	BHSCS 3/8"- 16 X 1-1/2" SS	2
14	150-9586	LATERAL ARM	1	38	H-73882	FHSCS 1/4- 20 X 3/4" S/S	6
15	21-1010	AXLE MOUNT	2	39	H-74418	CB 1/4"- 20 X 5/8" S/S	8
16	21-3009	TRANSAXLE	1	40	H-74419	CB 1/4"- 20 X .75" SS	5
17	253-1040	TANK STRAP SUPPORT	1	41	H-74429	CB 5/16"- 18 X 3/4" SS	20
18	4-124	LATCH	2	42	H-74433	CB 5/16"- 18 X 2" SS	2
19	H-00918	HCN 1/4"-20 LG	17	43	H-9307K74	GROMMET, 1" ID X 1-3/4" OD BUNA-N	2
20	H-0127296	1.0" LOOP CLAMP	1	44	H-9540	RUBBER BUMPER, 25/32"	6
21	H-0156759	3/8" X 4" CLEVIS PIN (ZINKI	1	45	H-NJ04C	JNYL 1/4" - 20 SS	8
22	H-0172519	CB #10-32 X 5/8" SS	1	46	H-NJ05C	JNYL 5/16"- 18 SS	4
23	H-02239	3/8" VINYL LOOP CLAMP	1	47	H-RUE14	3/8" RUE RING COTTER	1
24	H-02309	HCN #10-32, LG CRIMP	4				



Item	Part No.	Part Description	Qty.	Item	Part No.	Part Description	Qty.
1	150-1125	DISK DECK PLATFORM, 17"	1	16	H-70055	HCS 5/16"- 18 X 1" SS	1
2	150-1170	DISK DECK CURTAIN, 17"	1	17	H-70211	HCS 1/2"-13 X 2.0" SS	1
3	150-1175	DISK DECK CURTAIN BAND, 17"	1	18	H-70861	NYLOK 5/16" - 18 SS	8
4	150-9003	LIFTING BRACKET	1	19	H-70926	KN 15/16-18 S/S	3
5	170-1030	DISK DECK COVER PLATE	1	20	H-71015	FW 5/16 ID X 3/4 OD SS	3
6	253-2240	2" STROKE 24V ACTUATOR 450 LB LOAD	1	21	H-71017	FW 3/8 ID X 7/8 OD SS	2
7	5-431	1/4" X 1" KEY	1	22	H-71065	LW 5/16" SS	1
8	5-447	1/2 NPT X 1/2" BARB ELBOW	1	23	H-71067	LW 3/8" SS	4
9	H-00222	FW 3/4" ID X 1 1/8" OD X 3/32" SS	1	24	H-73779	BHSCS 5/16-18 X 3/4"	1
10	H-0129159	JNYL, 1/2"-13, 18-8 SS	1	25	H-74417	CB 1/4"- 20 X .5" SS	6
11	H-0144096	CB 5/16"- 18 X 4.5" ZINK	1	26	H-74429	CB 5/16"- 18 X 3/4" SS	7
12	H-0156756	CLEVIS PIN 3/8" x 3.00"	1	27	H-99001	FW 3/8" SS NOM ID .4375 X OD 1.0	1
13	H-07005	1/2" NPT LOCKNUT	2	28	H-NJ04C	JNYL 1/4" - 20 SS	6
14	H-33372	SHAFT COLLAR, 3/8" ID	2	29	H-RUE14	3/8" RUE RING COTTER	1
15	H-63917	SLEEVE, .50 OD X .375 ID X 1.0 LG	1				

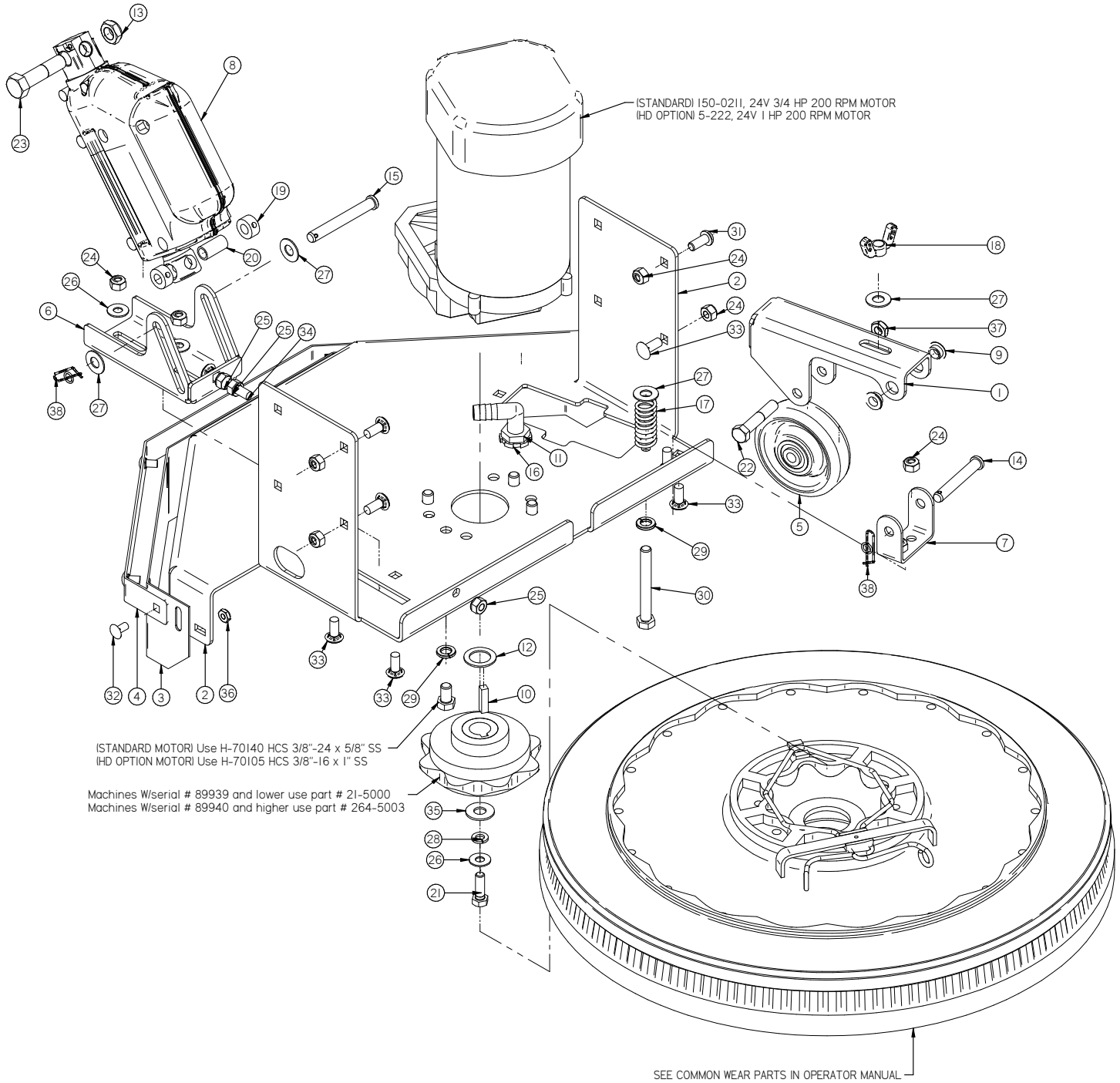




170-6160 Solid Grey with Bearings  
170-6188 Solid Black with Bearings

Item	Part No.	Part Description	Qty.	Item	Part No.	Part Description	Qty.
1	150-1006	LIFTING BRACKET	1	25	H-70856	NYLOK #8-32 SS	4
2	150-1060	BOSS	2	26	H-70858	NYLOK #10-32 SS	7
3	150-1101	20 INCH MAIN FRAME PAD DRIVE	1	27	H-70860	NYLOK 1/4"- 20 SS	24
4	150-1124	LATCH BRACKET	2	28	H-70861	NYLOK 5/16" - 18 SS	14
5	150-1156	MAIN FRAME CURTAIN BAND (20" BRUSH)	1	29	H-71013	FW 1/4 ID X 5/8 OD SS	10
6	150-1165	CASTER CURTAIN BAND	2	30	H-71015	FW 5/16 ID X 3/4 OD SS	2
7	150-1169	MAIN FRAME FRONT CURTAIN BAND	1	31	H-71017	FW 3/8 ID X 7/8 OD SS	2
8	150-1171	AXLE	1	32	H-71067	LW 3/8" SS	2
9	150-1240	LATERAL ARM	2	33	H-71212	FNW 1/4 ID X 1.0 OD SS	2
10	150-1368	FRAME SIDE CURTAIN BAND (20" LHI)	1	34	H-72398	PPH #8-32 X 1/2" S/S	4
11	150-1468	FRAME SIDE CURTAIN BAND (20" RHI)	1	35	H-72534	PPH #10-32 X 3/4" S/S	6
12	150-3030	CASTER	2	36	H-73754	BHSCS 1/4 - 20 X 3/4" SS	11
13	150-7600	4" SIDE WHEEL (GREY)	2	37	H-73817	BHSCS 3/8"- 16 X 1-1/2" SS	2
14	150-7611	SQUEEGEE DRAG BRACKET	1	38	H-73882	FHSCS 1/4- 20 X 3/4" S/S	6
15	150-9586	LATERAL ARM	1	39	H-74418	CB 1/4"- 20 X 5/8" S/S	8
16	253-1040	TANK STRAP SUPPORT	1	40	H-74419	CB 1/4"- 20 X .75" SS	5
17	4-124	LATCH	2	41	H-74429	CB 5/16"- 18 X 3/4" SS	16
18	H-00918	HCN 1/4"-20 LG	17	42	H-74433	CB 5/16"- 18 X 2" SS	2
19	H-0127296	1.0" LOOP CLAMP	1	43	H-9307K74	GROMMET, 1" ID X 1-3/4" OD BUNA-N	2
20	H-0156759	3/8" X 4" CLEVIS PIN (ZINK)	1	44	H-9540	RUBBER BUMPER, 25/32"	6
21	H-0172519	CB #10-32 X 5/8" SS	1	45	H-NJ05C	JNYL 5/16"- 18 SS	4
22	H-0175683	U-BOLT .25 - 20 X .375 X 1.25 SS	2	46	H-RUE14	3/8" RUE RING COTTER	1
23	H-02239	3/8" VINYL LOOP CLAMP	1	47	M-98585A115	SNAPRING 3/4" HEAVY DUTY	4
24	H-02309	HCN #10-32, LG CRIMP	4				



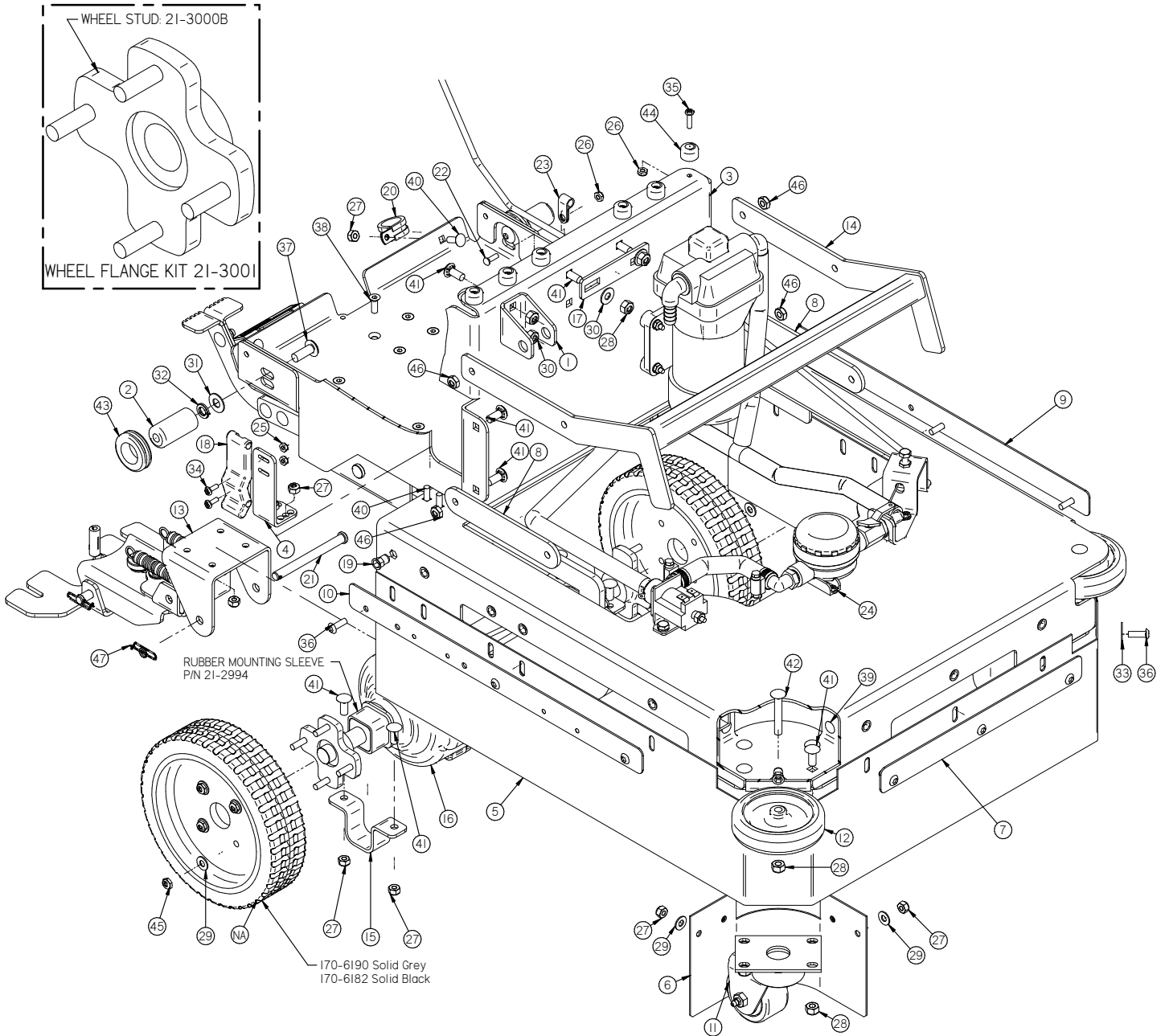


(STANDARD MOTOR) Use H-70140 HCS 3/8"-24 x 5/8" SS  
 (HD OPTION MOTOR) Use H-70105 HCS 3/8"-16 x 1" SS

Machines W/serial # 89939 and lower use part # 21-5000  
 Machines W/serial # 89940 and higher use part # 264-5003

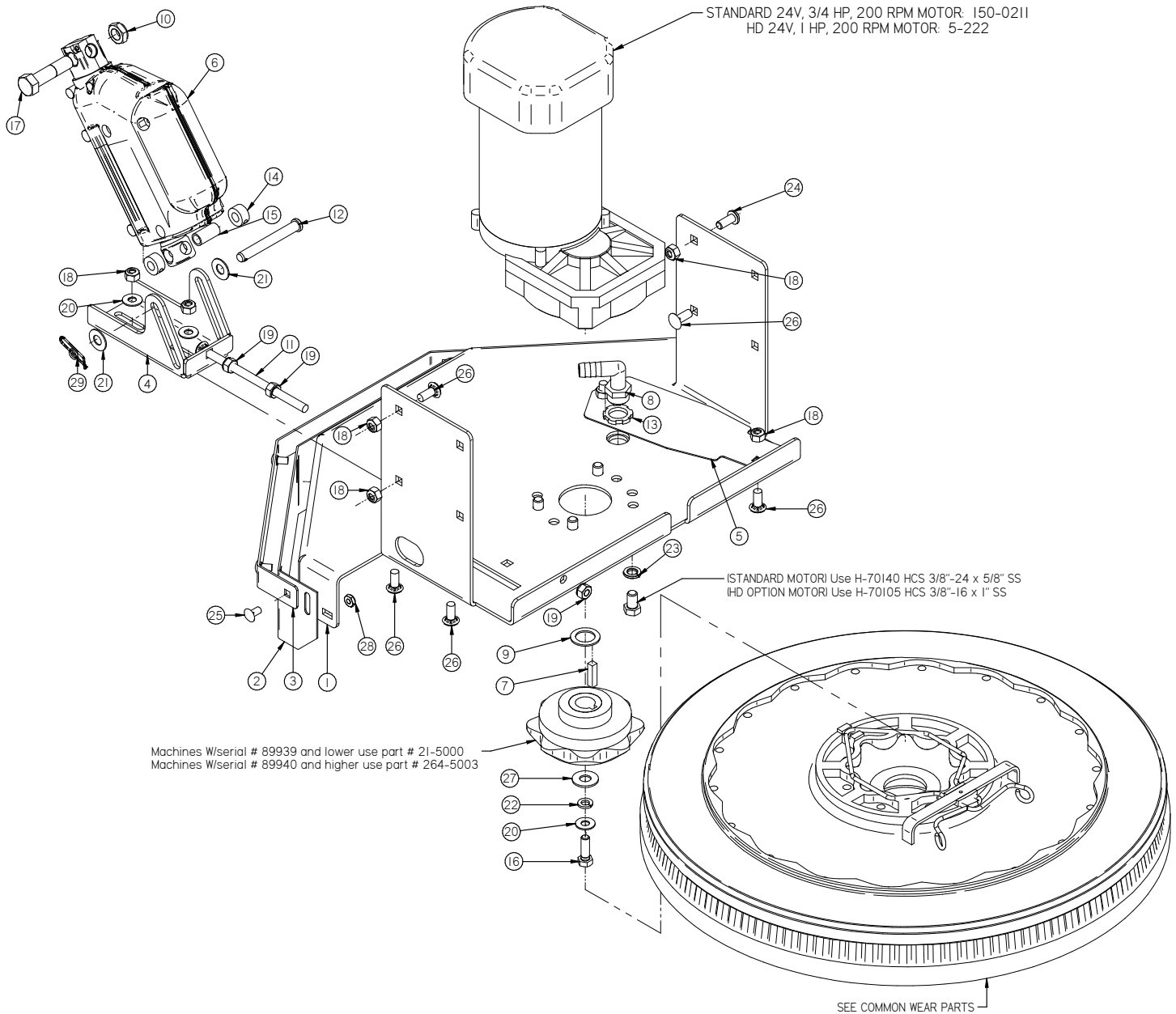
SEE COMMON WEAR PARTS IN OPERATOR MANUAL

Item	Part No.	Part Description	Qty.	Item	Part No.	Part Description	Qty.
1	150-1030	DECK WHEEL PIVOT BRACKET	1	21	H-70055	HCS 5/16"- 18 X 1" SS	1
2	150-1120	DISK DECK PLATFORM, 20"	1	22	H-70111	HCS 3/8"- 16 X 2" SS	1
3	150-1172	DISK DECK CURTAIN, 20"	1	23	H-70211	HCS 1/2"-13 X 2.0" SS	1
4	150-1176	DISK DECK CURTAIN BAND, 20"	1	24	H-70861	NYLOK 5/16"- 18 SS	8
5	150-3020	WHEEL, 3-1/2 x 1-3/8, POLY GREY	1	25	H-70926	KN 15/16-18 S/S	3
6	150-9003	LIFTING BRACKET	1	26	H-71015	FW 5/16 ID X 3/4 OD SS	3
7	190-1035	DECK WHEEL PIVOT SUPPORT	1	27	H-71017	FW 3/8 ID X 7/8 OD SS	4
8	253-2240	2" STROKE 24V ACTUATOR 450 LB LOAD	1	28	H-71065	LW 5/16" SS	1
9	290-1233	3/8" ID, 1/2" OD, 1/4" LG BEARING	2	29	H-71067	LW 3/8" SS	5
10	5-431	1/4" X 1" KEY	1	30	H-71191	HCS 3/8"- 16 X 3" SS	1
11	5-447	1/2 NPT X 1/2" BARB ELBOW	1	31	H-73779	BHSCS 5/16-18 X 3/4"	1
12	H-00222	FW 3/4" ID X 1 1/8" OD X 3/32" SS	1	32	H-74417	CB 1/4"- 20 X 5" SS	6
13	H-0129159	JNYL, 1/2"-13, 18-8 SS	1	33	H-74429	CB 5/16"- 18 X 3/4" SS	7
14	H-0156754	CLEVIS PIN, 3/8" X 2-1/2" (ZINK)	1	34	H-74433	CB 5/16"- 18 X 2" SS	1
15	H-0156756	CLEVIS PIN 3/8" x 3.00"	1	35	H-99001	FW 3/8" SS NOM ID .4375 X OD 1.0	1
16	H-07005	1/2" NPT LOCKNUT	2	36	H-NJ04C	JNYL 1/4" - 20 SS	6
17	H-111	SPRING, 1/2" ID X 2-1/2" LG	1	37	H-NJ06C	JNYL 3/8- 16 SS	1
18	H-11101613	WINGNUT 3/8-16, NYLOK SS	1	38	H-RUE14	3/8" RUE RING COTTER	2
19	H-33372	SHAFT COLLAR, 3/8" ID	2				
20	H-63917	SLEEVE, .50 OD X .375 ID X 1.0 LG	1				



Item	Part No.	Part Description	Qty.	Item	Part No.	Part Description	Qty.
1	150-1006	LIFTING BRACKET	1	25	H-70856	NYLOK #8-32 SS	4
2	150-1060	BOSS	2	26	H-70858	NYLOK #10-32 SS	7
3	150-1103	20 INCH MAIN FRAME TRACTION DRIVE	1	27	H-70860	NYLOK 1/4"- 20 SS	24
4	150-1124	LATCH BRACKET	2	28	H-70861	NYLOK 5/16"- 18 SS	14
5	150-1157	MAIN FRAME CURTAIN (20" TRACI	1	29	H-71013	FW 1/4 ID X 5/8 OD SS	18
6	150-1165	CASTER CURTAIN	2	30	H-71015	FW 5/16 ID X 3/4 OD SS	2
7	150-1169	MAIN FRAME FRONT CURTAIN BAND	1	31	H-71017	FW 3/8 ID X 7/8 OD SS	2
8	150-1240	LATERAL ARM	2	32	H-71067	LW 3/8" SS	2
9	150-1368	FRAME SIDE CURTAIN BAND (20" LH)	1	33	H-71212	FNW 1/4 ID X 1.0 OD SS	2
10	150-1468	FRAME SIDE CURTAIN BAND (20" RH)	1	34	H-72398	PPH #8-32 X 1/2" S/S	4
11	150-3030	CASTER	2	35	H-72534	PPH #10-32 X 3/4" S/S	6
12	150-7600	4" SIDE WHEEL (GREY)	2	36	H-73754	BHSCS 1/4 - 20 X 3/4" SS	11
13	150-7611	SQUEEGEE DRAG BRACKET	1	37	H-73817	BHSCS 3/8"- 16 X 1-1/2" SS	2
14	150-9586	LATERAL ARM	1	38	H-73882	FHSCS 1/4- 20 X 3/4" S/S	6
15	21-1010	AXLE MOUNT	2	39	H-74418	CB 1/4"- 20 X 5/8" S/S	8
16	21-3009	TRANSAXLE	1	40	H-74419	CB 1/4"- 20 X .75" SS	5
17	253-1040	TANK STRAP SUPPORT	1	41	H-74429	CB 5/16"- 18 X 3/4" SS	20
18	4-124	LATCH	2	42	H-74433	CB 5/16"- 18 X 2" SS	2
19	H-00918	HCN 1/4"-20 LG	17	43	H-9307K74	GROMMET, 1" ID X 1-3/4" OD BUNA-N	2
20	H-0127296	1.0" LOOP CLAMP	1	44	H-9540	RUBBER BUMPER, 25/32"	6
21	H-0156759	3/8" X 4" CLEVIS PIN (ZINK)	1	45	H-NJ04C	JNYL 1/4" - 20 SS	8
22	H-0172519	CB #10-32 X 5/8" SS	1	46	H-NJ05C	JNYL 5/16"- 18 SS	4
23	H-02239	3/8" VINYL LOOP CLAMP	1	47	H-RUE14	3/8" RUE RING COTTER	1
24	H-02309	HCN #10-32, LG CRIMP	4				

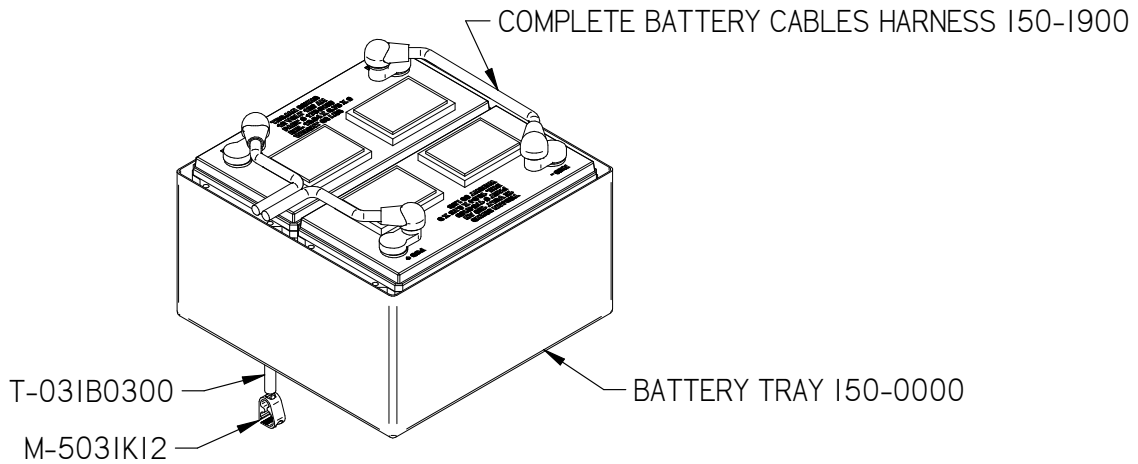
## 20 Inch Disk Deck - Traction Drive



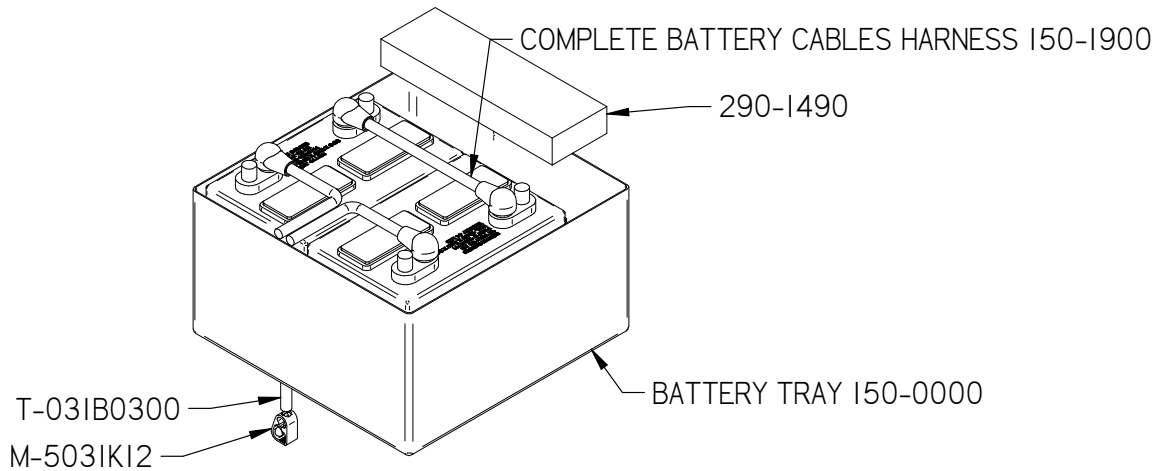
Machines W/serial # 89939 and lower use part # 21-5000  
 Machines W/serial # 89940 and higher use part # 264-5003

Item	Part No.	Part Description	Qty.	Item	Part No.	Part Description	Qty.
1	150-1120	DISK DECK PLATFORM, 20"	1	16	H-70055	HCS 5/16"-18 X 1" SS	1
2	150-1172	DISK DECK CURTAIN, 20"	1	17	H-70211	HCS 1/2"-13 X 20" SS	1
3	150-1176	DISK DECK CURTAIN BAND, 20"	1	18	H-70861	NYLOK 5/16" - 18 SS	8
4	150-9003	LIFTING BRACKET	1	19	H-70926	KN 15/16-18 S/S	3
5	170-1030	DISK DECK COVER PLATE	1	20	H-71015	FW 5/16 ID X 3/4 OD SS	3
6	253-2240	2" STROKE 24V ACTUATOR 450 LB LOAD	1	21	H-71017	FW 3/8 ID X 7/8 OD SS	2
7	5-431	1/4" X 1" KEY	1	22	H-71065	LW 5/16" SS	1
8	5-447	1/2 NPT X 1/2" BARB ELBOW	1	23	H-71067	LW 3/8" SS	4
9	H-00222	FW 3/4" ID X 1 1/8" OD X 3/32" SS	1	24	H-73779	BHSCS 5/16-18 X 3/4"	1
10	H-0129159	JNYL, 1/2"-13, 18-8 SS	1	25	H-74417	CB 1/4" - 20 X .5" SS	6
11	H-0144098	CB 5/16"- 18 X 5-1/2" ZINK	1	26	H-74429	CB 5/16"- 18 X 3/4" SS	7
12	H-0156756	CLEVIS PIN 3/8" x 3.00"	1	27	H-99001	FW 3/8" SS NOM ID 4375 X OD 1.0	1
13	H-07005	1/2" NPT LOCKNUT	2	28	H-NJ04C	JNYL 1/4" - 20 SS	6
14	H-33372	SHAFT COLLAR, 3/8" ID	2	29	H-RUE14	3/8" RUE RING COTTER	1
15	H-63917	SLEEVE, .50 OD X .375 ID X 1.0 LG	1				

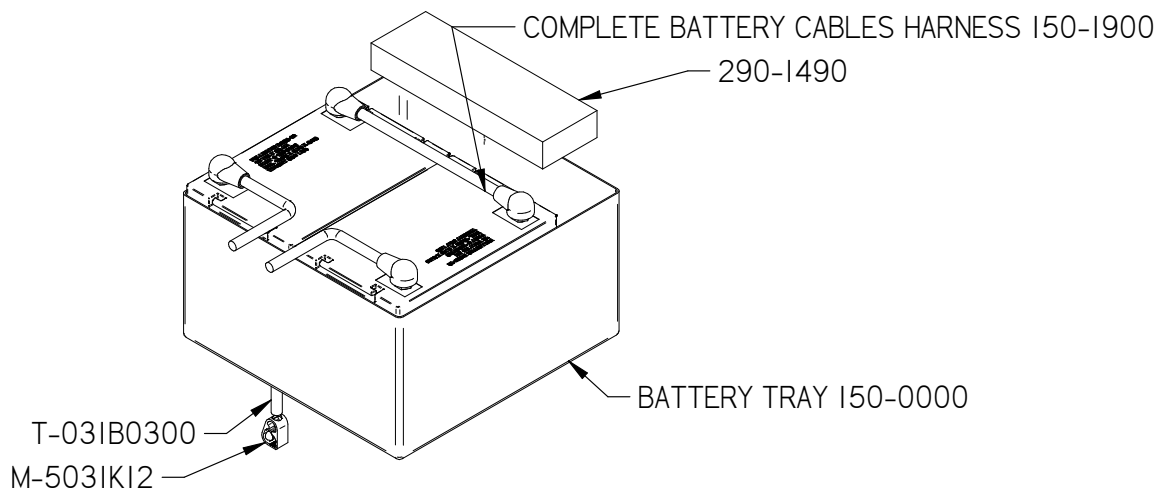
## 130 AH TROJANS 170-2109 USE CHARGER 150-2440



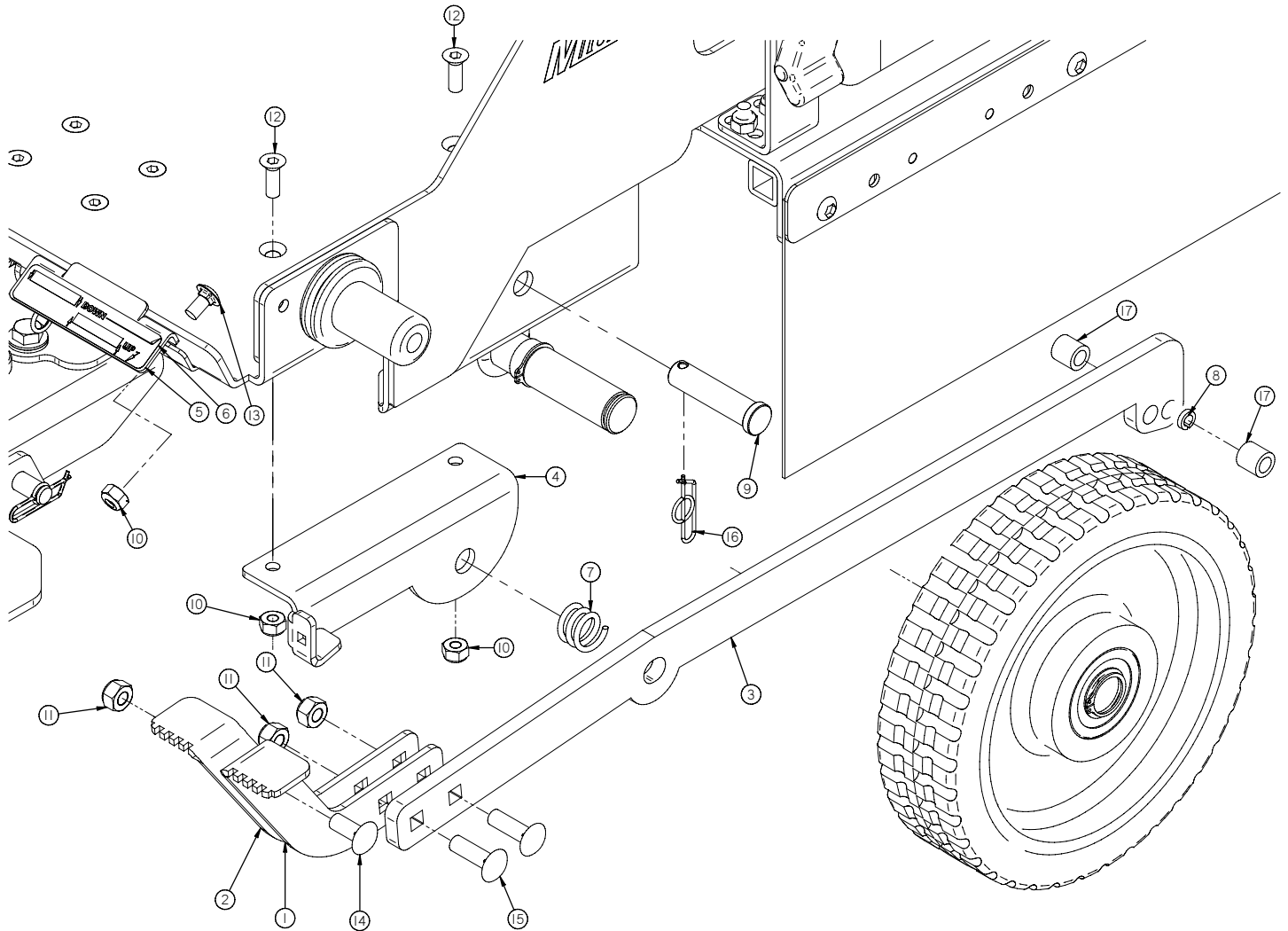
## 85 AH TROJANS 150-2109 USE CHARGER 150-2440



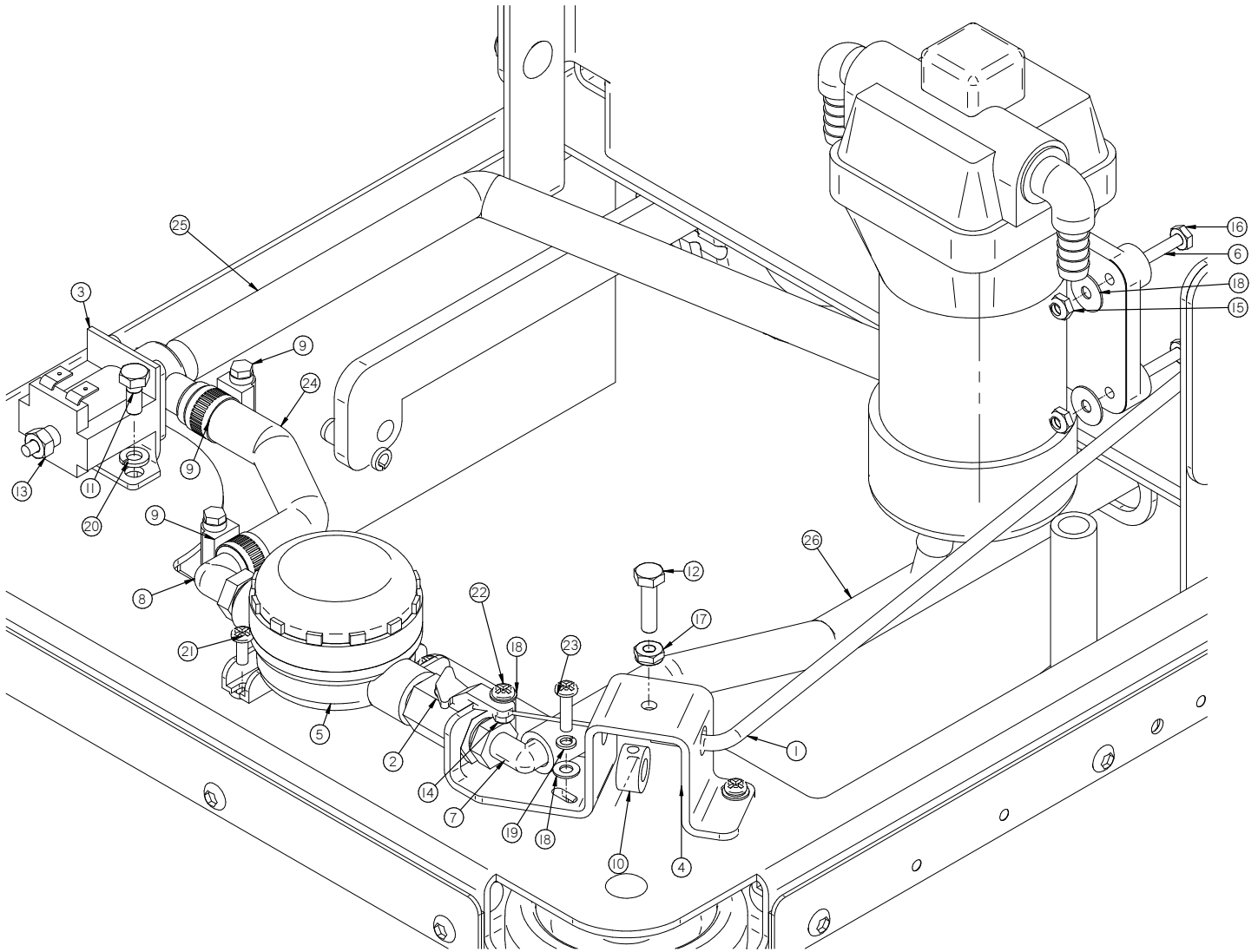
## 85 AH AGM 150-2120 USE CHARGER 170-2440



Foot Pedal Assembly

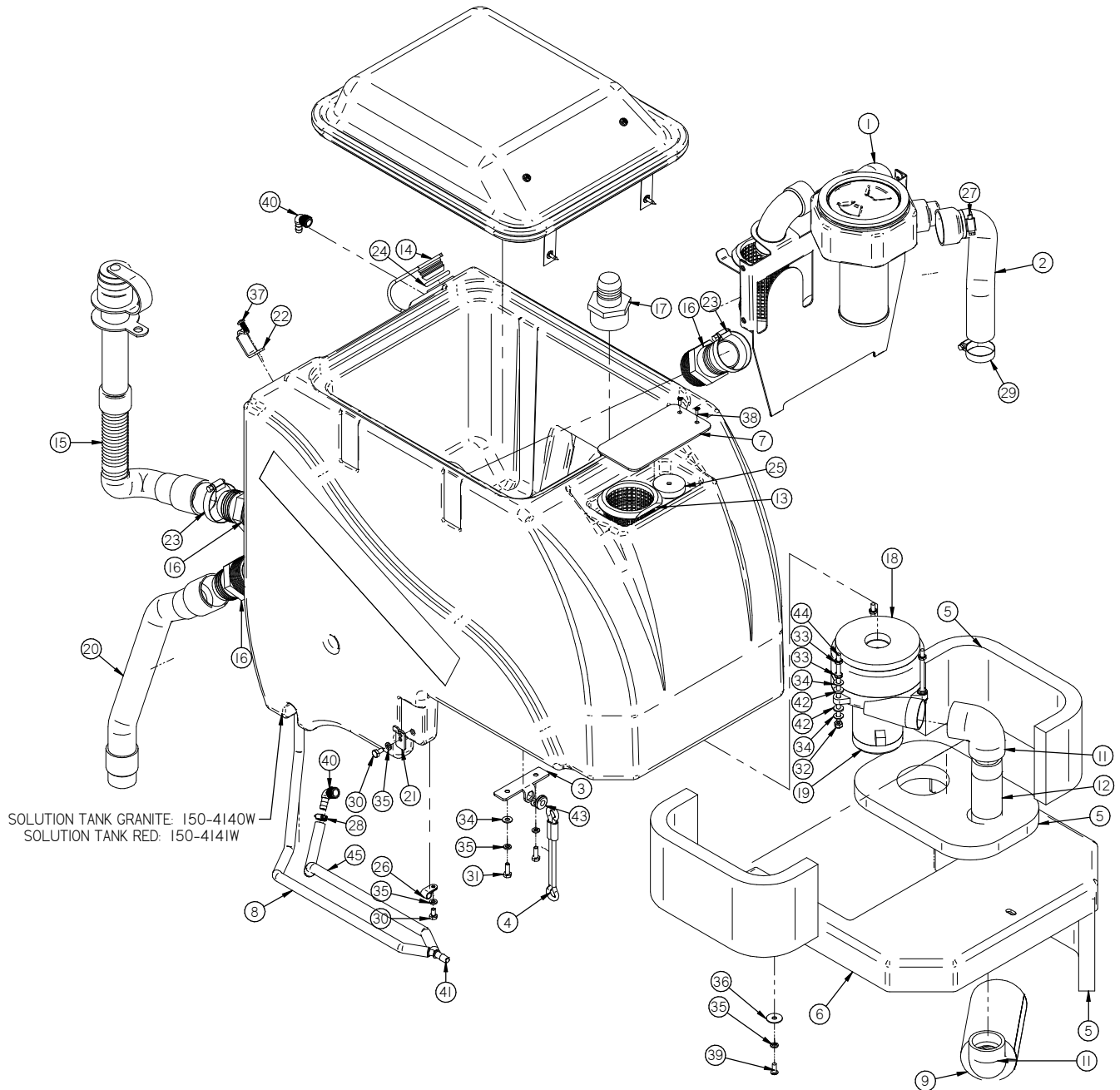


Item	Part No.	Part Description	Qty.
1	150-4508	RIGHT DECK LIFT ARM	1
2	150-4509	LEFT DECK LIFT ARM	1
3	150-4510	MAIN DECK LFT ARM	1
4	150-4511	LIFT ARM PIVOT LOCK	1
5	150-4512	STICKER BRACKET	1
6	150-4513	FOOT PEDAL STICKER	1
7	150-7240	SPRING, 1/2" ID X 5/8" LG	1
8	H-00105	3/8" X 1 1/4" SPRING PIN	1
9	H-0156771	CLEVIS PIN, 1/2" OD X 2" LG	1
10	H-70860	NYLOK 1/4" - 20 SS	3
11	H-70861	NYLOK 5/16" - 18 SS	3
12	H-73882	FHSCS 1/4- 20 X 3/4" S/S	2
13	H-74417	CB 1/4"- 20 X .5" SS	1
14	H-74429	CB 5/16"- 18 X 3/4" SS	1
15	H-74430	CB 5/16"- 18 X 1" SS	2
16	H-RUE22	1/2" RUE RING COTTER	1
17	T-031C0050	5/16" X 1/2" CLEAR TUBING	2



Item	Part No.	Part Description	Qty.
1	150-2014	SOLUTION FLOW CABLE	1
2	150-4158	BALL VALVE, 3/8"	1
3	150-4500	ADJUSTABLE SOLUTION FLOW VALVE	1
4	150-9130	VALVE CABLE GUIDE	1
5	370-9130	INLINE FILTER	1
6	H-0172522	CB #10-32 X 1-1/4" SS	4
7	H-04762	ELBOW, 90 DEG X 3/8" MNPT X 3/8" BARB, NYLON	1
8	H-04763	ELBOW, 90 DEG X 3/8" MNPT X 1/2" BARB, NYLON	1
9	H-081	HOSE CLAMP, 5/8"- 1-1/2" S/S	2
10	H-33372	SHAFT COLLAR, 3/8" ID	1
11	H-70002	HCS 1/4"-20 X 5/8" SS	2
12	H-70005	HCS 1/4"- 20 X 1" SS	1
13	H-70730	HN 1/4"- 28 SS	1
14	H-70855	NYLOK #6-32 SS	1
15	H-70858	NYLOK #10-32 SS	4
16	H-70923	KN #10-32 SS	4
17	H-70925	KN 1/4-20 S/S	1
18	H-71009	FW #10 SS	7
19	H-71059	LW #10, SS	2
20	H-71063	LW 1/4" SS	2
21	H-72515	PPH #10-32 X 1/2" S/S	2
22	H-72516	PPH #6-32 X 1/2" SS	1
23	H-72534	PPH #10-32 X 3/4" S/S	2
24	T-050R0550	1/2" ID HOSE X 5-1/2 LG	1
25	T-050RI700	VALVE TO DECK	1
26	T-375RI900	WYE TO VALVE- HOSE	1



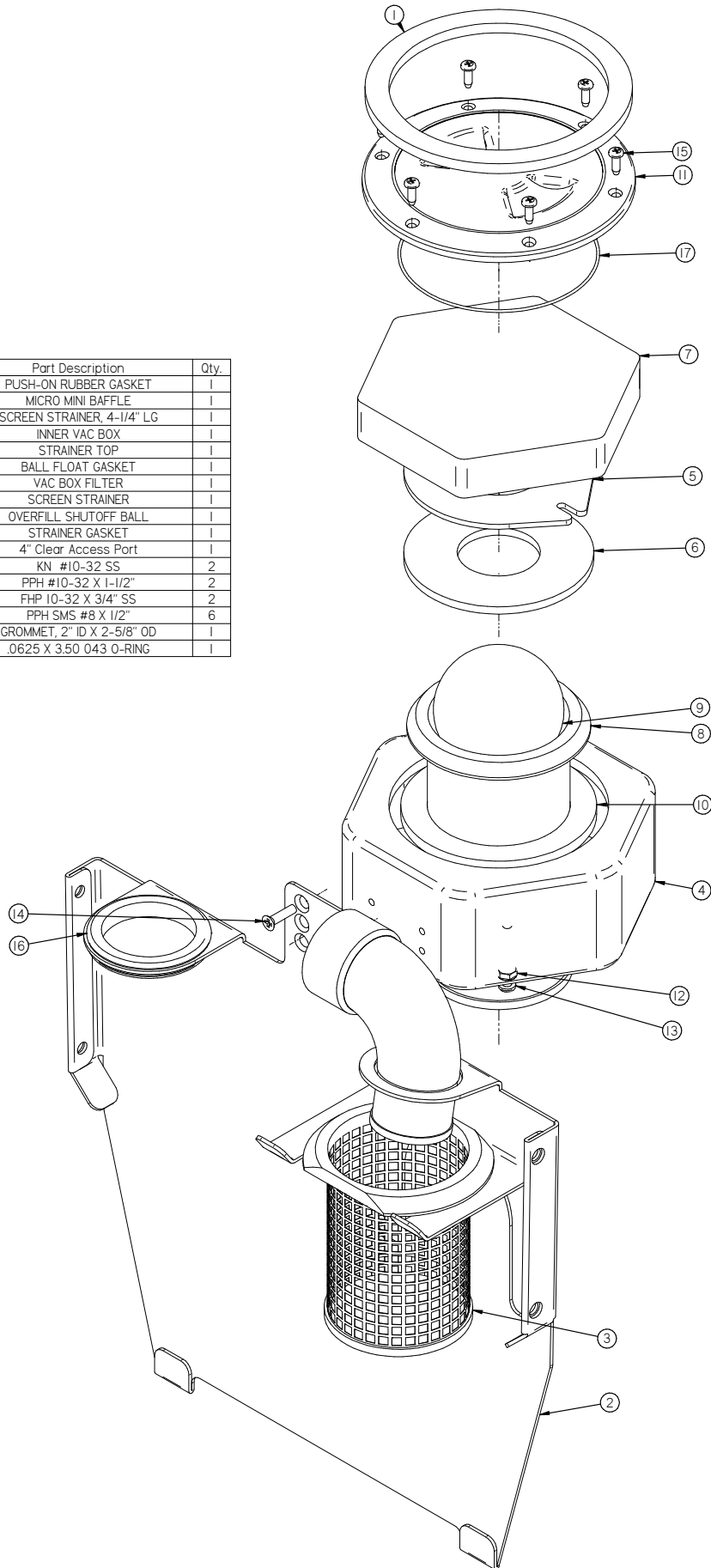


Item	Part No.	Part Description	Qty.	Item	Part No.	Part Description	Qty.
1	150-0115	INNER SQUEEGEE HOSE	1	24	5-8290	O-RING, #324, 1.35" X 1.77" X .210" BUNA-N	1
2	150-0120	INNER VAC HOSE	1	25	500-1380	FILL HOSE	1
3	150-1039	TANK STRAP BRACKET	1	26	H-0127288	#6 3/8" RUBBER LOOP CLAMP	1
4	150-1046	TANK STRAP	1	27	H-0427612	CLAMP 3/4"- 1-3/4" SS	1
5	150-1137	VAC MOTOR INSULATION	1	28	H-62002	HOSE CLAMP, #4 S/S	1
6	150-1145	BANDEAU COVER (DISK), PLASTIC	1	29	H-62044	CLAMP 1.0"- 2.0" SS	1
7	150-1229	SPLASH CURTAIN	1	30	H-70001	HCS 1/4"-20 X 1/2 SS"	3
8	150-1370	SIGHT TUBE	1	31	H-70003	HCS 1/4"-20 X 3/4" SS	2
9	150-2502	VACUUM FAN MUFFLER, 8" LG	2	32	H-70860	NYLOK 1/4"- 20 SS	3
10	150-7285	BATTERY CONFIGURATION PLATE	1	33	H-70925	KN 1/4-20 S/S	6
11	150-7291	EXHAUST ELBOW	2	34	H-71013	FW 1/4 ID X 5/8 OD SS	8
12	150-7292	I-1/2" X 5" NIPPLE	1	35	H-71063	LW 1/4" SS	8
13	150-8911	SCREEN STRAINER, 4-1/4" LG	1	36	H-71212	FNW 1/4 ID X 1.0 OD SS	3
14	170-7211	I-1/2 HOSE CAP	1	37	H-71893	1/4 X 3/4 SELF TAPPING SCREW	1
15	175-7210	RECOVERY DRAIN HOSE	1	38	H-72904	PPH SMS #6 X 1/2" SS	2
16	190-1210	2.0" MNPT X 2.0" BARB, PVC	3	39	H-73753	BHSCS 1/4 - 20 X 5/8" SS	3
17	190-1215	2.0" MNPT X 1.50" BARB, PVC	1	40	M-53525K18	ELBOW, 3/8" MNPT X 3/8" BARB, BRASS	2
18	190-3002	VAC MOTOR GASKET	1	41	M-5463K116	WYE, 3/8", NYLON	1
19	190-5250	VAC MOTOR, 3/4 HP, TANGENTIAL	1	42	M-90130A029	.25" NEOPRENE WASHER	6
20	253-0111	SQUEEGEE HOSE	1	43	M-9307K23	GROMMET, 3/8 ID X 7/8 OD X 1/8 TH.	1
21	253-1240	CLIP	2	44	M-95412A562	FTS 1/4"- 20 X 5" SS	3
22	253-9491	HOOK	1	45	T-038R1700	ELBOW TO WYE - HOSE	1
23	5-719	CLAMP 1 9/16 - 2 1/2" SS	2				

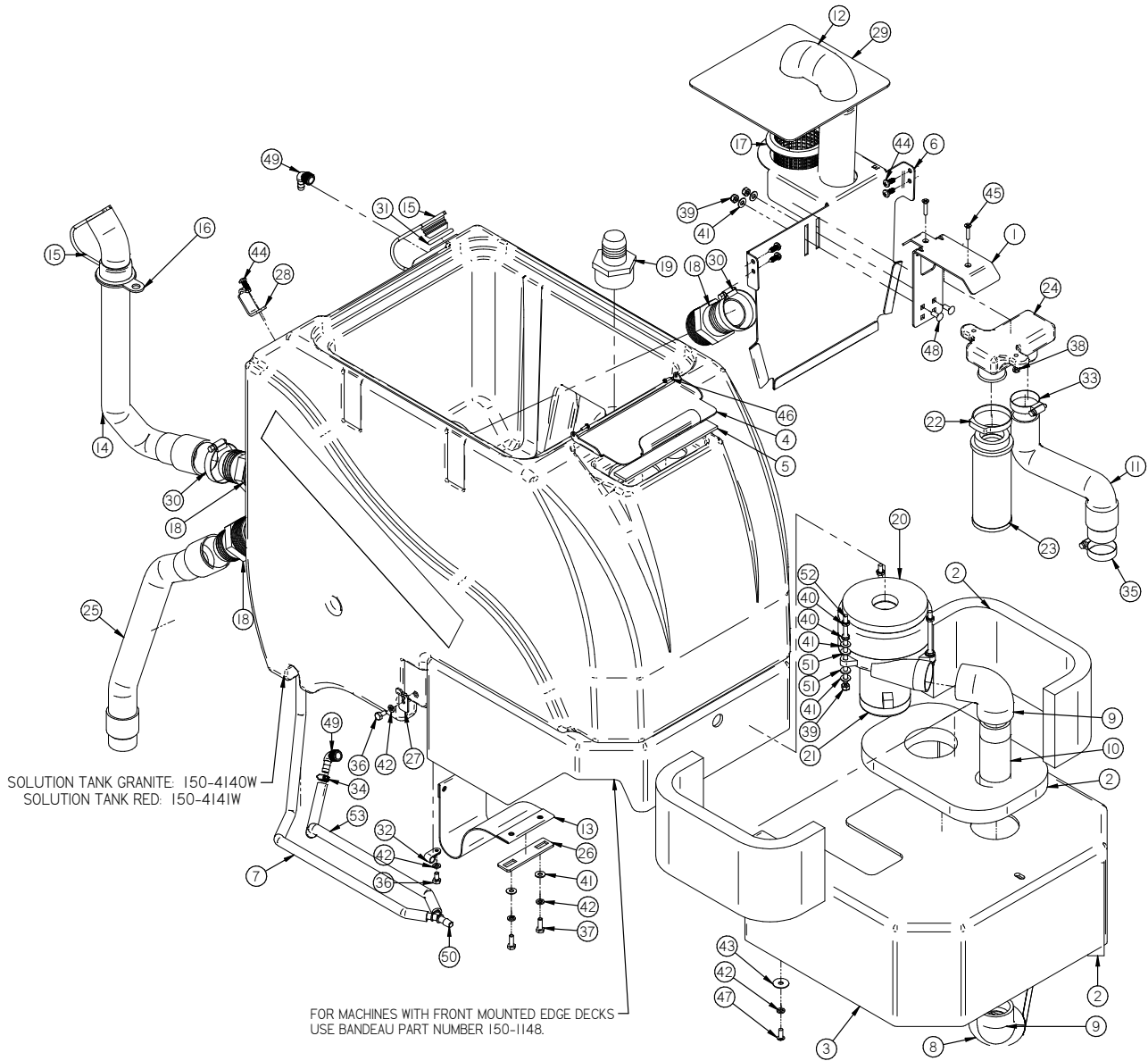


## Baffle Assembly - Serial Number 94937 and greater

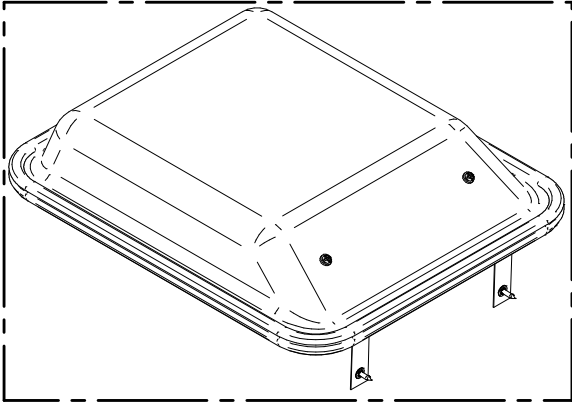
Item	Part No.	Part Description	Qty.
1	150-1075	PUSH-ON RUBBER GASKET	1
2	150-1134	MICRO MINI BAFFLE	1
3	170-8911	SCREEN STRAINER, 4-1/4" LG	1
4	175-1133	INNER VAC BOX	1
5	175-4080	STRAINER TOP	1
6	175-4103	BALL FLOAT GASKET	1
7	264-4086	VAC BOX FILTER	1
8	264-9111	SCREEN STRAINER	1
9	38-712	OVERFILL SHUTOFF BALL	1
10	38-738	STRAINER GASKET	1
11	400-4250	4" Clear Access Port	1
12	H-70923	KN #10-32 SS	2
13	H-72554	PPH #10-32 X 1-1/2"	2
14	H-72684	FHP 10-32 X 3/4" SS	2
15	H-72914	PPH SMS #8 X 1/2"	6
16	H-9307K74	GROMMET, 2" ID X 2-5/8" OD	1
17	M-9452K132	.0625 X 3.50 043 O-RING	1



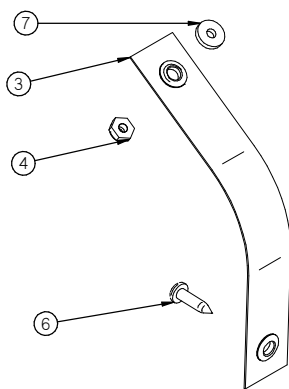
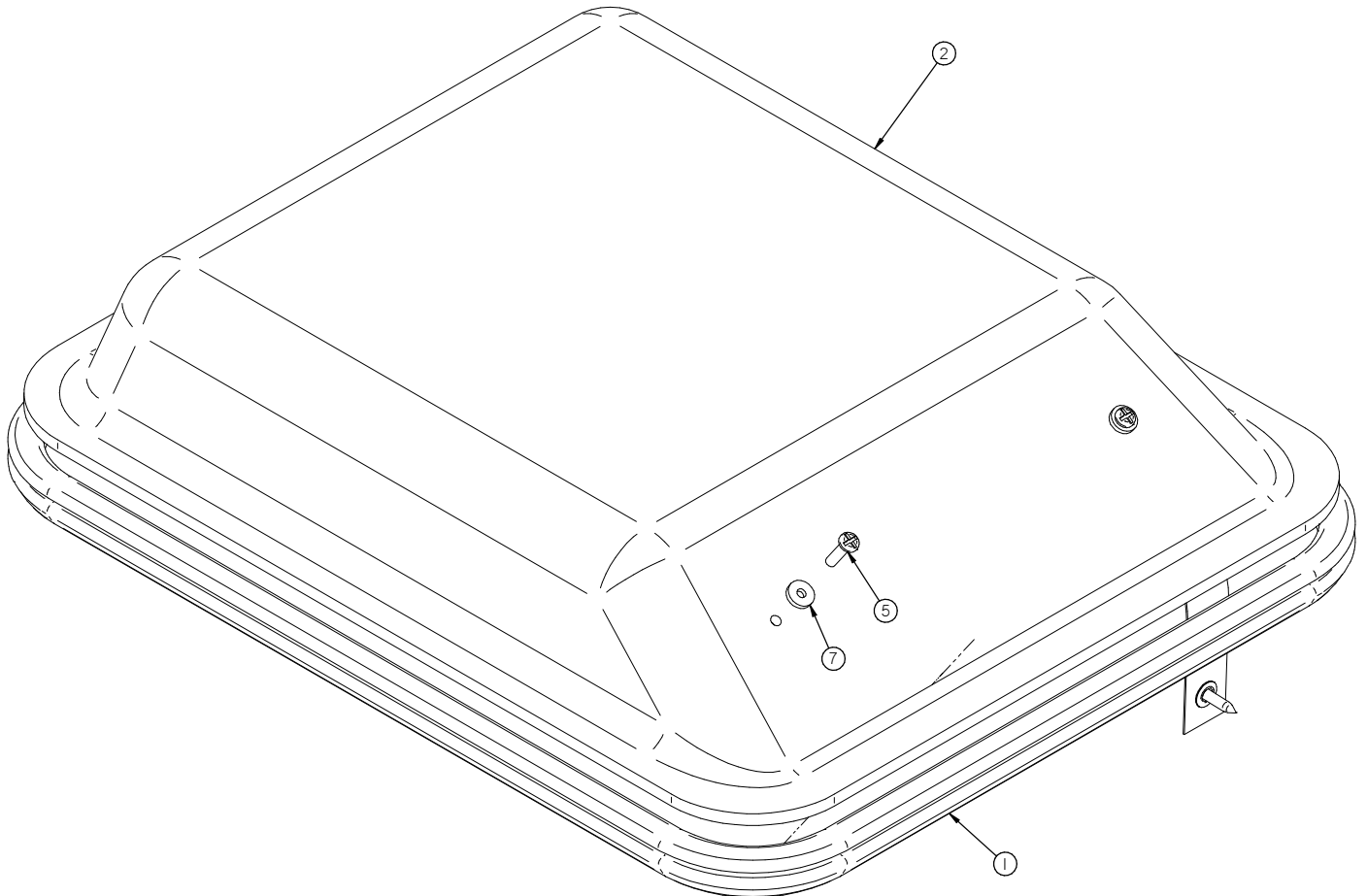
Tank Assembly - Serial Number 94936 and lower



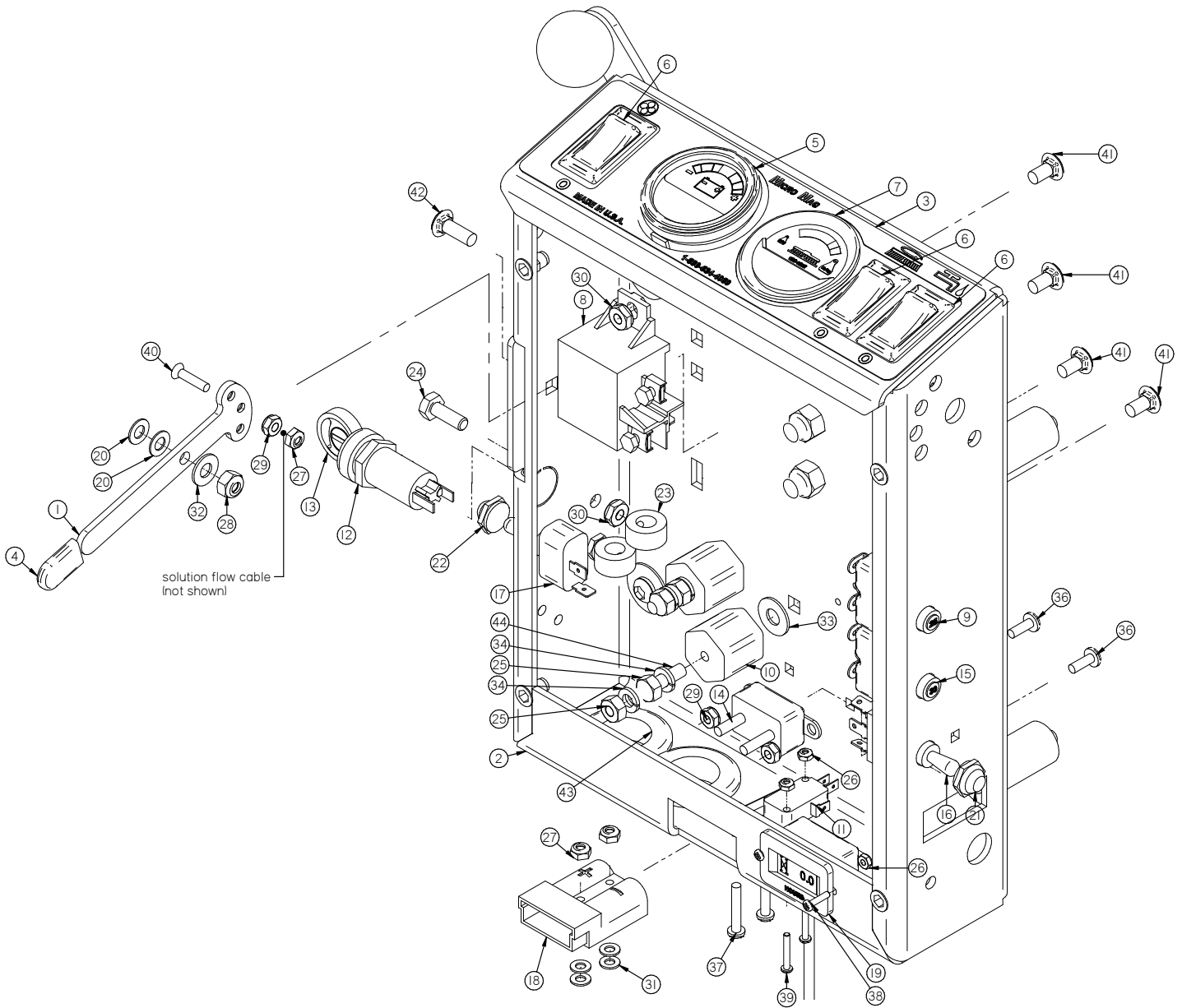
Item	Part No.	Part Description	Qty.	Item	Part No.	Part Description	Qty.
1	150-1122	BALL FLOAT HOLDER	1	28	253-9491	HOOK	1
2	150-1137	VAC MOTOR INSULATION	1	29	370-1129	TANK BACK SPLASH	1
3	150-1147	BANDEAU COVER (DISK), PLASTIC	1	30	5-719	CLAMP 1/916 - 2 1/2" SS	2
4	150-1180	SOLUTION FILL LID	1	31	5-8290	O-RING #324, 1.35" X 1.77" X .210" BUNA-N	1
5	150-1190	SEAL	1	32	H-0127288	#6 3/8" RUBBER LOOP CLAMP	1
6	150-1230	BAFFLE	1	33	H-0427612	CLAMP 3/4" - 1-3/4" SS	1
7	150-1370	SIGHT TUBE	1	34	H-62002	HOSE CLAMP, #4 S/S	1
8	150-2502	VACUUM FAN MUFFLER, 8" LG	1	35	H-62044	CLAMP 1.0" - 2.0" SS	1
9	150-7291	EXHAUST ELBOW	2	36	H-70001	HCS 1/4"-20 X 1/2 SS"	2
10	150-7292	1-1/2" X 5" NIPPLE	1	37	H-70003	HCS 1/4"-20 X 3/4" SS	2
11	170-0120	1-1/2" DIA. INNER VAC HOSE	1	38	H-70858	NYLOK #10-32 SS	1
12	170-0121	INNER SQUEEGEE HOSE	1	39	H-70860	NYLOK 1/4" - 20 SS	4
13	170-1045	TANK STRAP, 22" LG X 4" WIDE	1	40	H-70925	KN 1/4-20 S/S	5
14	170-7210	1-1/2 INCH DIA. COMPLETE DRAIN HOSE	1	41	H-71013	FW 1/4 ID X 5/8 OD SS	8
15	170-7211	1-1/2 HOSE CAP	2	42	H-71063	LW 1/4" SS	5
16	170-7212	STRAP HOSE RETAINER, 2"	1	43	H-71212	FNW 1/4 ID X 1.0 OD SS	1
17	170-8911	SCREEN STRAINER, 4-1/4" LG	1	44	H-71893	1/4 X 3/4 SELF TAPPING SCREW	5
18	190-1210	2.0" MNPT X 2.0" BARB, PVC	3	45	H-72685	FHP 10-32 X 1" SS	2
19	190-1215	2.0" MNPT X 1.50" BARB, PVC	1	46	H-72904	PPH SMS #6 X 1/2" SS	2
20	190-3002	VAC MOTOR GASKET	1	47	H-73753	BHSCS 1/4 - 20 X 5/8" SS	1
21	190-5250	VAC MOTOR, 3/4 HP, TANGENTIAL	1	48	H-74418	CB 1/4" - 20 X 5/8" S/S	2
22	21-4028	SNAP GRIP CLAMP	1	49	M-53525K18	ELBOW, 3/8" MNPT X 3/8" BARB, BRASS	2
23	21-4085	VAC SCREEN	1	50	M-5463K116	WYE, 3/8", NYLON	1
24	21-7060	VAC BOX	1	51	M-90130A029	.25" NEOPRENE WASHER	4
25	253-0111	SQUEEGEE HOSE	1	52	M-95412A562	FTS 1/4" - 20 X 5" SS	3
26	253-1040	TANK STRAP SUPPORT	1	53	T-038R1700	ELBOW TO WYE - HOSE	1
27	253-1240	CLIP	1				



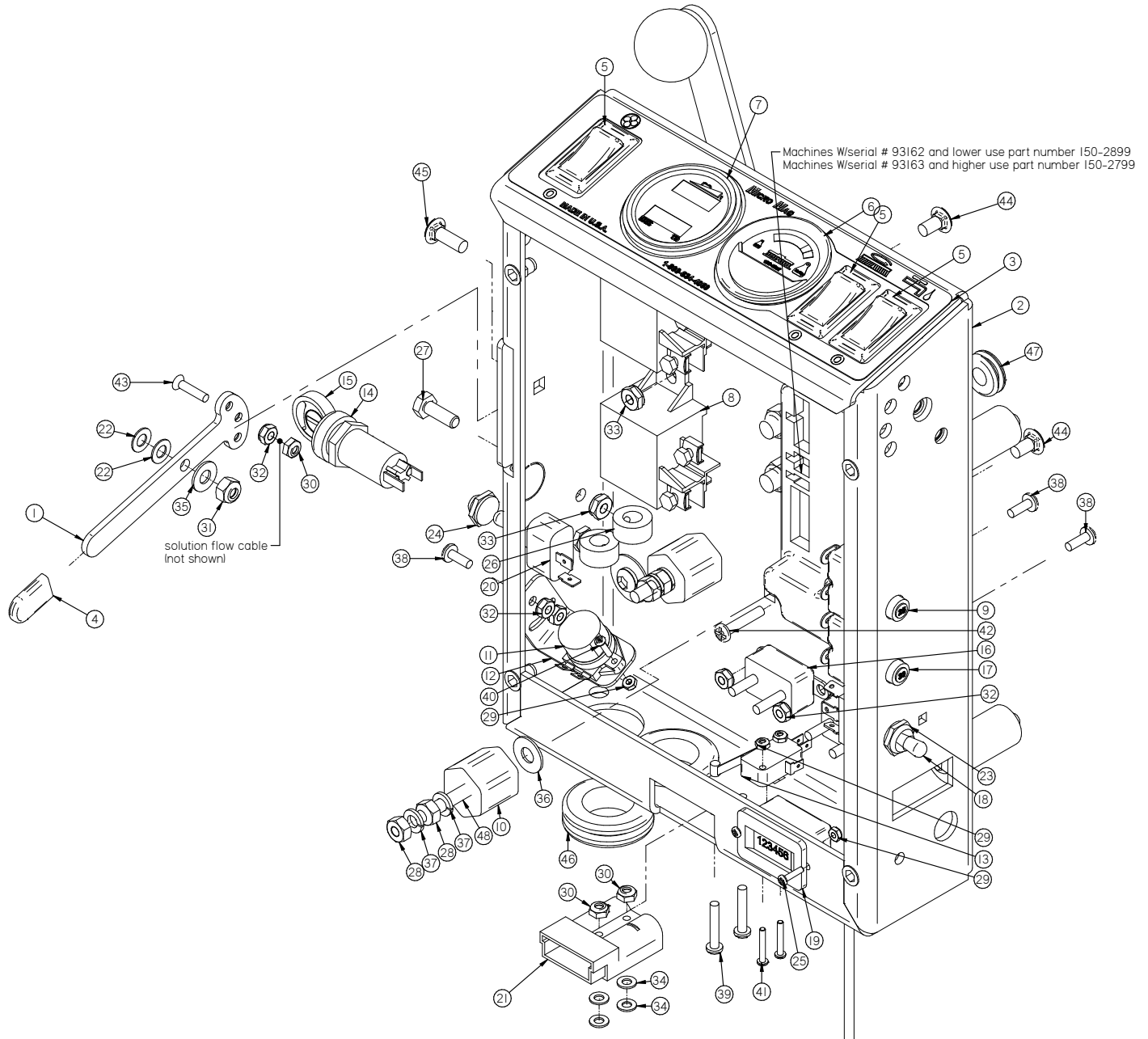
TANK LID ASSEMBLY 150-1410D



Item	Part No.	Part Description	Qty.
1	150-1075	PUSH-ON RUBBER GASKET	1
2	150-1410	VAC FORMED SMOKED COVER	1
3	175-1412	TANK LID STRAP W/GROMMETS	2
4	H-0129155	JNYL #10-32, 18-8 S/S	2
5	H-72534	PPH #10-32 X 3/4" S/S	2
6	H-72916	PPH SMS #8 X 3/4" SS	2
7	H-90133	.170 ID X .50 OD X .093 TH NEOPRENE WASHER	4



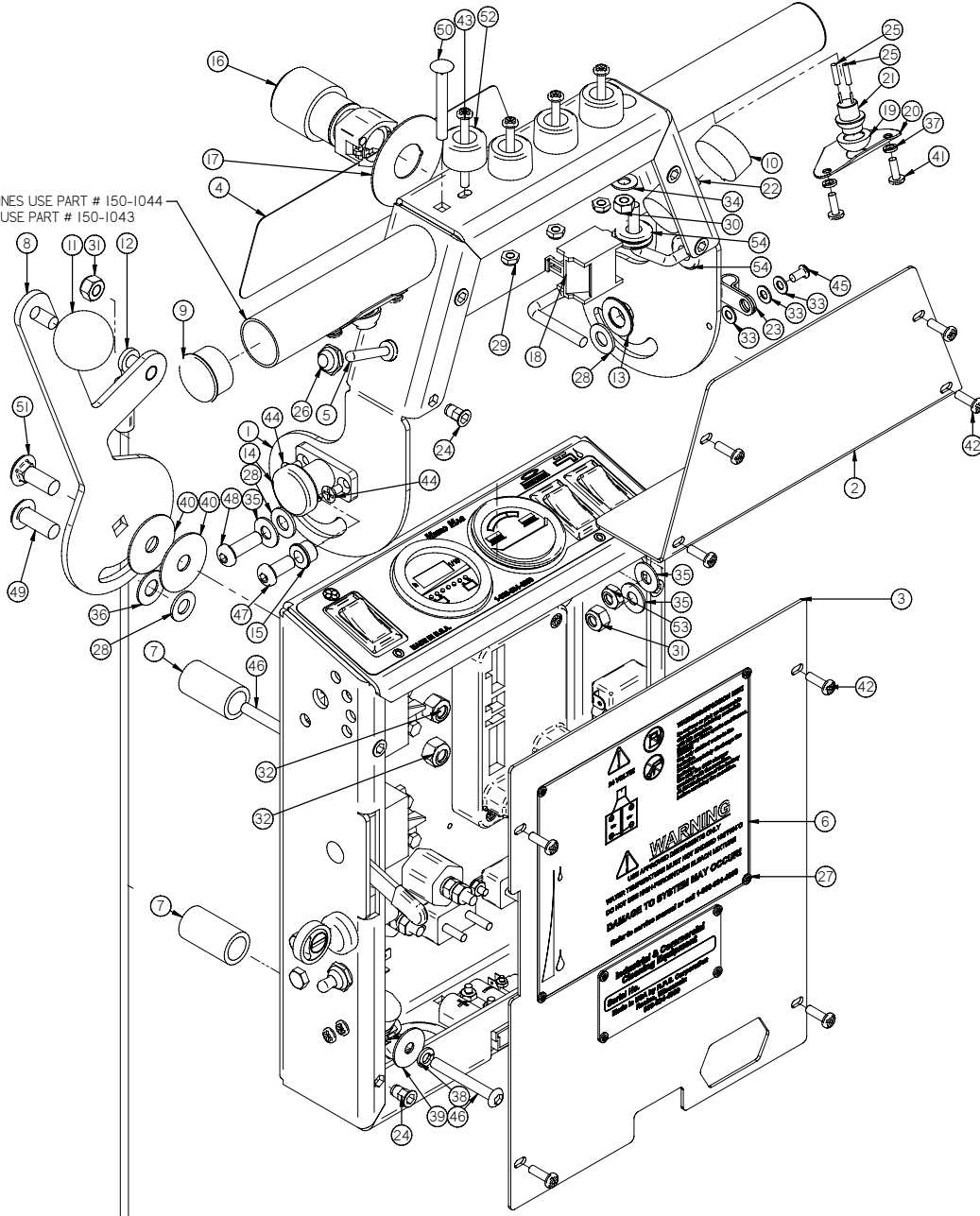
Item	Part No.	Part Description	Qty.	Item	Part No.	Part Description	Qty.
1	150-2003	VALVE LEVER	1	23	H-33372	SHAFT COLLAR, 3/8" ID	2
2	150-2010	CONTROL BOX	1	24	H-70003	HCS 1/4"-20 X 3/4" SS	2
3	150-2013	CONTROL PANEL STICKER	1	25	H-70710	HN 1/4"- 20 SS	4
4	150-4480	HANDLE GRIP (BLUE)	1	26	H-70854	NYLOK #4-40 SS	3
5	150-4855	METER BATTERY, 24V	1	27	H-70856	NYLOK #8-32 SS	3
6	170-2340	SWITCH, ROCKER, DPDT, ON/ON	3	28	H-70860	NYLOK 1/4"- 20 SS	1
7	190-4852	BRUSH PRESSURE GAUGE, 40 AMP	1	29	H-70922	KN #8-32	3
8	190-8283	RELAY, 24V, 50 AMP	1	30	H-70925	KN 1/4-20 S/S	3
9	190-8370	FUSE RESETTABLE - 25 AMP	1	31	H-71007	FW #8 SS	4
10	200-1011	SWITCHBOARD INSULATOR	2	32	H-71013	FW 1/4 ID X 5/8 OD SS	1
11	21-2230	MICRO SWITCH	1	33	H-71015	FW 5/16 ID X 3/4 OD SS	2
12	290-234	KEY SWITCH (WITH KEY)	1	34	H-71063	LW 1/4" SS	4
13	290-234A	KEY SET (REPLACE)	1	35	H-71212	FNW 1/4 ID X 1.0 OD SS	1
14	290-2815	CIR. BREAKER - 15A, 24V	1	36	H-72398	PPH #8-32 X 1/2" S/S	2
15	290-9609	FUSE, RESETTABLE, 30 AMP	1	37	H-72418	PPH #8-32 X 1" S/S	2
16	370-2830	SWITCH, TOGGLE, MOM/OFF/MOM (DPDT)	1	38	H-72486	PPH #4-40 X 1/2" S/S	2
17	370-8920	TOGGLE, ON-OFF SPST	1	39	H-72490	PPH #4-40 X 3/4" S/S	2
18	4-259	CONNECTOR, RED 50, HOUSING ONLY	1	40	H-72644	FHP #8-32 X 3/4"	1
19	8-262	HOURLY METER	1	41	H-74417	CB 1/4"- 20 X .5" SS	4
20	H-00282	FW 1/4" NYLON	2	42	H-74419	CB 1/4"- 20 X .75" SS	1
21	H-11199	PROTECTIVE BOOT, TOGGLE SWITCH, (BLUE)	1	43	H-9307K74	GROMMET, 1" ID X 1-3/4" OD BUNA-N	2
22	H-11200	PROTECTIVE BOOT, TOGGLE SWITCH, (BLACK)	1	44	M-95412A544	STUD 1/4-20 X 1-1/4" SS	2



Item	Part No.	Part Description	Qty.	Item	Part No.	Part Description	Qty.
1	150-2003	VALVE LEVER	1	26	H-33372	SHAFT COLLAR, 3/8" ID	2
2	150-2010	CONTROL BOX	1	27	H-70003	HCS 1/4"-20 X 3/4" SS	2
3	150-2013	CONTROL PANEL STICKER	1	28	H-70710	HN 1/4"- 20 SS	4
4	150-4480	HANDLE GRIP (BLUE)	1	29	H-70854	NYLOK #4-40 SS	5
5	170-2340	SWITCH, ROCKER, DPDT, ON/ON	3	30	H-70856	NYLOK #8-32 SS	3
6	190-4852	BRUSH PRESSURE GAUGE, 40 AMP	1	31	H-70860	NYLOK 1/4"- 20 SS	1
7	190-4855	24V BATTERY AND HOUR METER	1	32	H-70922	KN #8-32	7
8	190-8283	RELAY, 24V, 50 AMP	1	33	H-70925	KN 1/4-20 S/S	6
9	190-8370	FUSE RESETTABLE 25 AMP	1	34	H-71007	FW #8 SS	4
10	200-1011	SWITCHBOARD INSULATOR	1	35	H-71013	FW 1/4 ID X 5/8 OD SS	1
11	200-1015	TILT SWITCH	1	36	H-71015	FW 5/16 ID X 3/4 OD SS	2
12	200-1016	TILT SWITCH BRACKET	1	37	H-71063	LW 1/4" SS	8
13	21-2230	MICRO SWITCH	1	38	H-72398	PPH #8-32 X 1/2" S/S	6
14	290-234	KEY SWITCH (WITH KEY)	1	39	H-72418	PPH #8-32 X 1" S/S	2
15	290-234A	KEY SET (REPLACE)	1	40	H-72486	PPH #4-40 X 1/2" S/S	2
16	290-2815	CIR. BREAKER - 15A, 24V	1	41	H-72490	PPH #4-40 X 3/4" S/S	2
17	290-9609	FUSE, RESETTABLE, 30 AMP	1	42	H-72536	PPH #10-32 X 1" S/S	2
18	370-2830	SWITCH, TOGGLE, MOM/OFF/MOM (DPDT)	1	43	H-72644	FHP #8-32 X 3/4"	1
19	370-8261	CHARGER COUNTER	1	44	H-74417	CB 1/4"- 20 X .5" SS	6
20	370-8920	TOGGLE, ON-OFF SPST	1	45	H-74419	CB 1/4"- 20 X .75" SS	1
21	4-259	CONNECTOR, RED 50, HOUSING ONLY	1	46	H-9307K74	GROMMET, 1" ID X 1-3/4" OD BUNA-N	2
22	H-00282	FW 1/4" NYLON	2	47	M-9307K23	GROMMET, 3/8 ID X 7/8 OD X 1/8 TH.	1
23	H-11199	PROTECTIVE BOOT, TOGGLE SWITCH, (BLUE)	1	48	M-95412A544	STUD 1/4-20 X 1-1/4" SS	2
24	H-11200	PROTECTIVE BOOT, TOGGLE SWITCH, (BLACK)	1				
25	H-28679	PPH #4-40 X 1/2"	1				

Handlebar and Squeeze Lift Arm Assembly

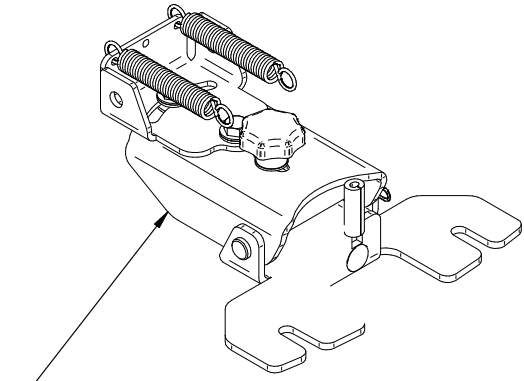
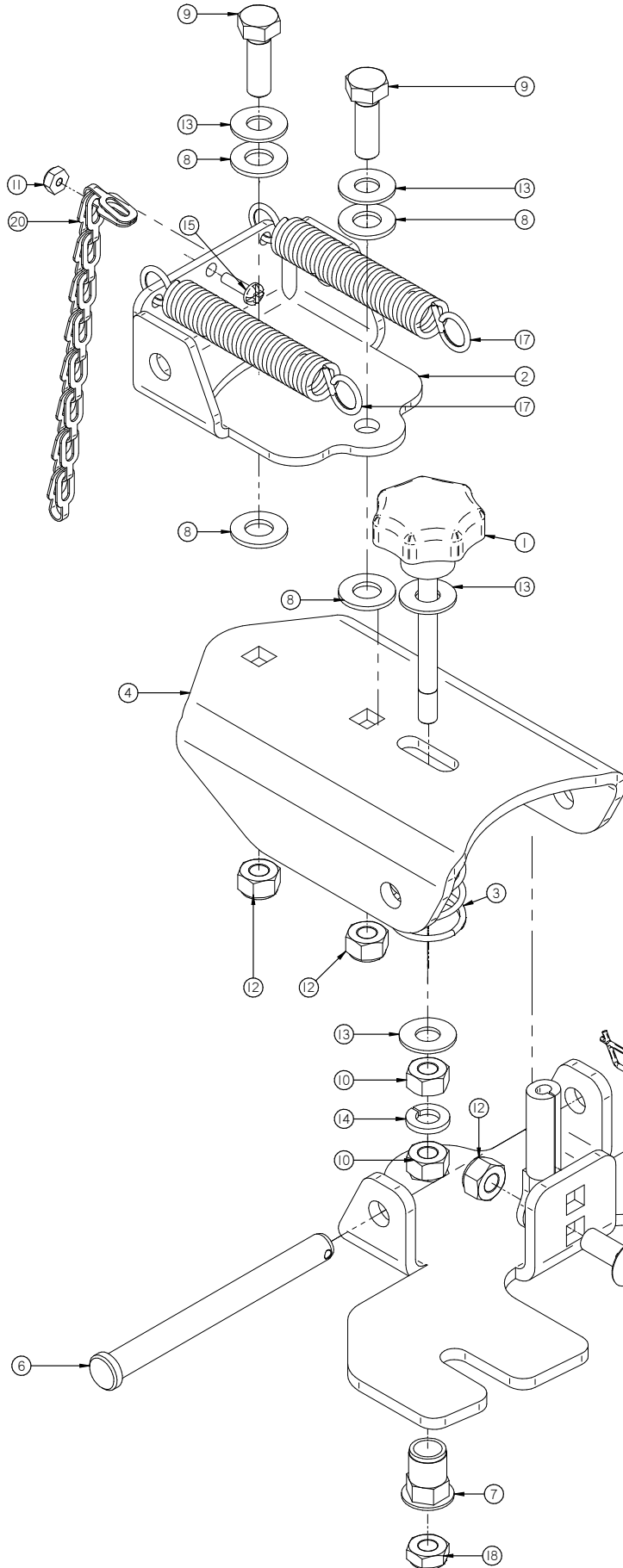
FOR TRACTION DRIVE MACHINES USE PART # 150-1044  
 FOR PAD ASSIST MACHINES USE PART # 150-1043



Item	Part No.	Part Description	Qty.	Item	Part No.	Part Description	Qty.
1	150-1040	ADJUSTABLE HANDLE BAR HOLDER	1	28	H-4440024	FW 3/8" X 3/4" NYLON	5
2	150-1042	HANDEL BAR COVER	1	29	H-70858	NYLOK #10-32 SS	4
3	150-2000	TRACTION CONTROL PANEL COVER	1	30	H-70860	NYLOK 1/4" - 20 SS	1
4	150-2016	MICRO MAG STICKER	1	31	H-70861	NYLOK 5/16" - 18 SS	3
5	150-2830	SWITCH, TOGGLE, MOM/OFF/MOM (DPDT)	1	32	H-70862	NYLOK 3/8"-16 SS	2
6	150-7281	EXPLOSION WARNING PLATE	1	33	H-71009	FW #10 SS	3
7	170-2700	SPACER, 1-1/2" LG	4	34	H-71013	FW 1/4 ID X 5/8 OD SS	2
8	170-7100	SQUEEGEE LIFT LEVER	1	35	H-71015	FW 5/16 ID X 3/4 OD SS	6
9	190-1390	END CAP	1	36	H-71017	FW 3/8 ID X 7/8 OD SS	1
10	21-4520	SPEED CONTROL KNOB, RED	1	37	H-71057	LW #8, SS	4
11	21-7101	LIFT KNOB	1	38	H-71063	LW 1/4" SS	1
12	253-7891	SQUEEGEE LIFT CABLE, 30"	1	39	H-71212	FNW 1/4 ID X 1.0 OD SS	1
13	290-1247	BRONZE THRUST BEARING, .50" ID X 1.0" OD X 1/16" TH	2	40	H-71217	FNW 3/8 ID X 1-1/2 OD SS	2
14	290-7050	INDEX PLUNGER	1	41	H-72398	PPH #8-32 X 1/2" S/S	4
15	370-1245	BUSHING	2	42	H-72517	PPH #10-32 X 5/8" SS	5
16	5-300	EMERGENCY SHUT OFF	1	43	H-72556	PPH #10-32 X 2" SS	4
17	5-301	EMERGENCY LEGEND PLATE	1	44	H-72681	FHP #10-32 X 3/8" SS	2
18	5-302	EMERGENCY CONTACT BLACK	1	45	H-73742	BHSCS 10-32 X 3/8" SS	1
19	7-227	BUTTON COVER	2	46	H-73759	BHSCS 1/4 - 20 X 2.0" SS	4
20	7-228	SWITCH MOUNT PLATE	2	47	H-73779	BHSCS 5/16-18 X 3/4"	2
21	7-229D	PUSH BUTTON SWITCH	2	48	H-73780	BHSCS 5/16-18 X 1"	2
22	7-292	5K POTENTIOMETER	1	49	H-73815	BHSCS 3/8" - 16 X 1" SS	1
23	H-02239	3/8" VINYL LOOP CLAMP	1	50	H-74423	CB 1/4" - 20 X 2.0" SS	2
24	H-02309	HCN #10-32, LG CRIMP	8	51	H-74436	CB 3/8" - 16 X 1.0" SS	1
25	H-108	HEAT SHRINK	4	52	H-9540	RUBBER BUMPER, 25/32"	4
26	H-11196	PROTECTIVE BOOT, TOGGLE SWITCH, (RED)	1	53	H-NJ05C	JNYL 5/16" - 18 SS	2
27	H-41007	AB4-3A BLIND RIVET	8	54	M-9307K23	GROMMET, 3/8 ID X 7/8 OD X 1/8 TH.	2



## Squeegee Drag Link Assembly

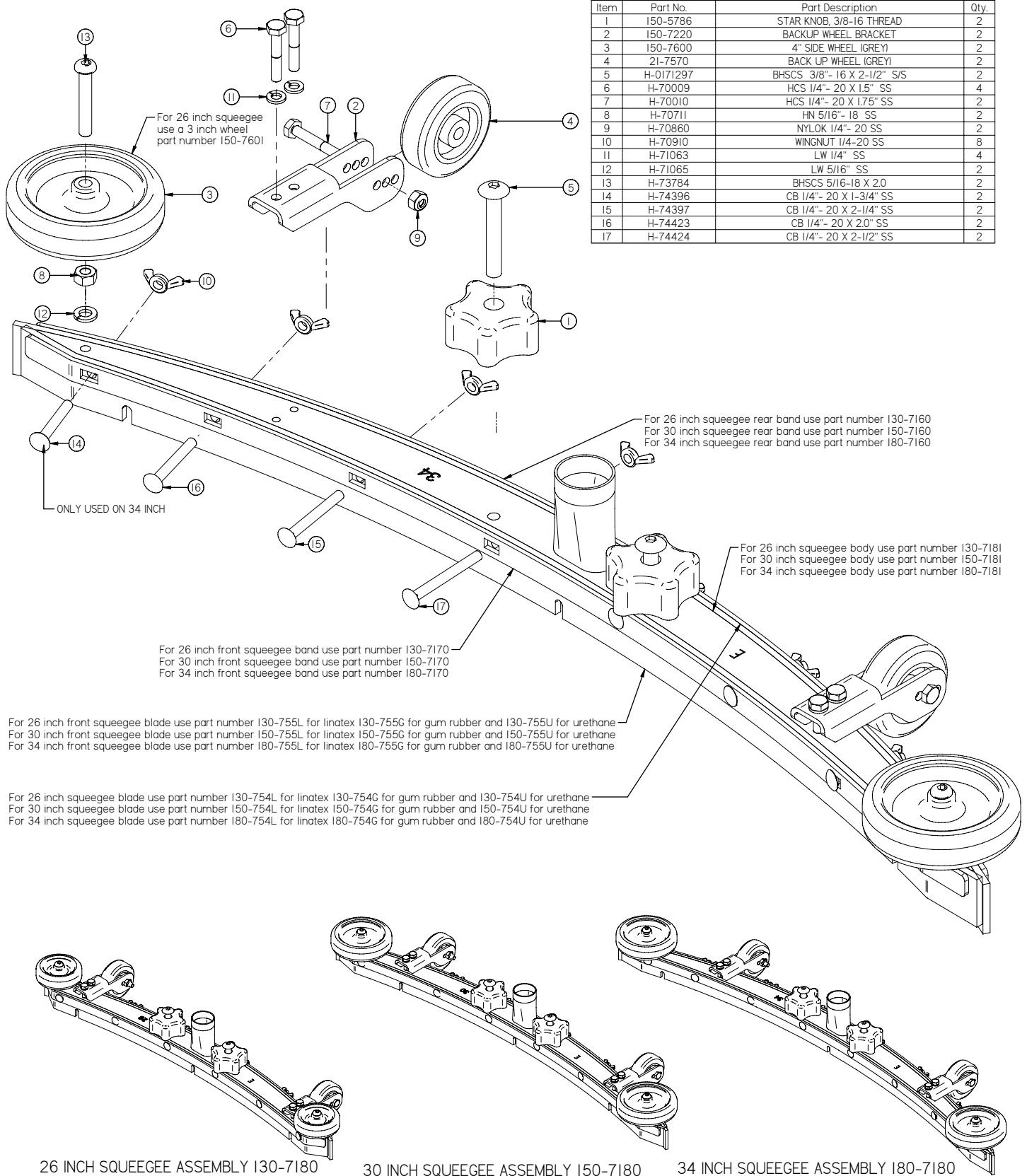


— SQUEEGEE TRAIL ARM ASSEMBLY: 150-7155

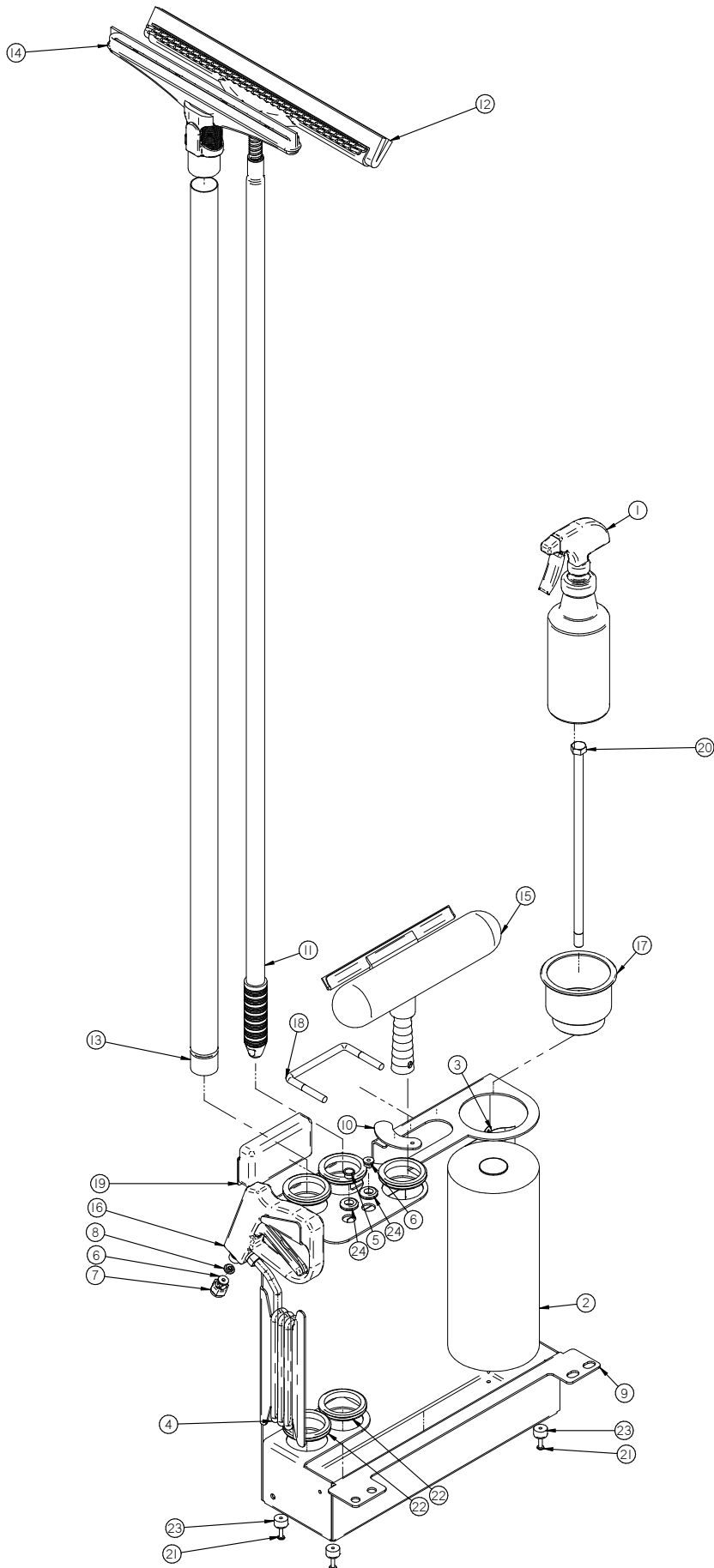
Item	Part No.	Part Description	Qty.
1	150-4570	STAR KNOB 5/16-18 X 2-1/2 SS	1
2	150-7140	SQUEEGEE SWING PLATE	1
3	150-7241	SPRING, 5/8" ID X 2.0" LG	1
4	150-7610	UPPER SQUEEGEE TRIANGLE PIVOT	1
5	150-7612	LOWER SQUEEGEE TRIANGLE PIVOT	1
6	H-11121256	3/8" X 4" CLEVIS PIN	1
7	H-312HCN	HCN 5/16"-18	1
8	H-4440024	FW 3/8" X 3/4" NYLON	4
9	H-70055	HCS 5/16"-18 X 1" SS	2
10	H-70711	HN 5/16"-18 SS	2
11	H-70855	NYLOK #6-32 SS	1
12	H-70861	NYLOK 5/16"-18 SS	3
13	H-71015	FW 5/16 ID X 3/4 OD SS	4
14	H-71065	LW 5/16" SS	1
15	H-72516	PPH #6-32 X 1/2" SS	1
16	H-74429	CB 5/16"-18 X 3/4" SS	1
17	H-96544	SPRING, 4-1/8" LG X 9/16" OD (42E)	2
18	H-NJ05C	JNYL 5/16"-18 SS	1
19	H-RUE14	3/8" RUE RING COTTER	1
20	T-360824S0600	6" GOLD GROUING CHAIN	1



Squeegee Tool Assembly



Item	Part No.	Part Description	Qty.
1	150-5786	STAR KNOB, 3/8-16 THREAD	2
2	150-7220	BACKUP WHEEL BRACKET	2
3	150-7600	4" SIDE WHEEL (GREY)	2
4	21-7570	BACK UP WHEEL (GREY)	2
5	H-0171297	BHSCS 3/8"- 16 X 2-1/2" S/S	2
6	H-70009	HCS 1/4"- 20 X 1.5" SS	4
7	H-70010	HCS 1/4"- 20 X 1.75" SS	2
8	H-70711	HN 5/16"- 18 SS	2
9	H-70860	NYLOK 1/4"- 20 SS	2
10	H-70910	WINGNUT 1/4-20 SS	8
11	H-71063	LW 1/4" SS	4
12	H-71065	LW 5/16" SS	2
13	H-73784	BHSCS 5/16-18 X 2.0	2
14	H-74396	CB 1/4"- 20 X 1-3/4" SS	2
15	H-74397	CB 1/4"- 20 X 2-1/4" SS	2
16	H-74423	CB 1/4"- 20 X 2.0" SS	2
17	H-74424	CB 1/4"- 20 X 2-1/2" SS	2



Item	Part No.	Part Description	Qty.
1		ROUND SOAP BOTTLE	1
2		PAPER TOWEL	1
3		BLADE	1
4		SPRAY HOSE	1
5		stream spray tip	1
6		40 deg spray tip	2
7		spray tip nut	1
8		spray tip seal	1
9	150-8810	CLEAN CADDIE	1
10	150-8814	HOSE LATCH	1
11	150-8850	SCRUB BRUSH STICK	1
12	150-8860		1
13	150-8870	TUBE, WAND, STRAIGHT, 59"	1
14	150-8890		1
15	150-8895		1
16	150-8950	SPRAY GUN	1
17	370-0014	CUP HOLDER	1
18	5-834	HOPPER HANDLE	1
19	5-849	RECESSED HANDLE	1
20	H-15237	HCS 1/2"- 13 X 13" GRADE 8	1
21	H-72534	PPH #10-32 X 3/4" S/S	4
22	H-9307K74	GROMMET, 2" ID X 2-5/8" OD	5
23	H-9540	RUBBER BUMPER, 25/32"	4
24	M-9307K22	GROMMET, RUBBER 3/8 ID X 7/8 OD X 5/16 TH.	2

## Common Wear Parts

**ROUND DISK BRUSHES FOR SERIAL # 89939 AND BELOW:**

BRUSHES	MODEL 17" DISK	MODEL 20" DISK
Super Grit	17-421SS	20-421SS
Tough Grit	17-421S	20-421S
Midi Grit	17-421C	20-421C
Light Grit	17-421PS	20-421PS
Poly (.028)	17-421P	20-421P
Nylon (.016)	17-421N	20-421N
Tampico	17-421T	20-421T
Pad Driver	17-421D	20-421D
Diamond Driver	17-421DD	20-421DD
Pad Retainer #40-434		

**ROUND DISK BRUSHES FOR SERIAL # 89940 AND ABOVE:**

BRUSHES	MODEL 17" DISK	MODEL 20" DISK
Super Grit	17-382SS	20-382SS
Tough Grit	17-382S	20-382S
Midi Grit	17-382C	20-382C
Light Grit	17-382PS	20-382PS
Poly (.028)	17-382P	20-382P
Nylon (.016)	17-382N	20-382N
Tampico	17-382T	20-382T
Pad Driver	17-382D	20-382D
Diamond Driver	17-382DD	20-382DD
Pad Retainer #40-434		

**ROUND DISK PADS:****NOTICE**

The ## in Disk Column Denotes Desk Pad Size: 17" or 20"

DISK PADS	DISK	LEVEL	COLOR
Super Black	##-422BB	Very High	Black
Black	##-422B	High	Black
Brown	##-422BR	High	Brown
Green	##-422G	Medium	Green
Blue	##-422BL	Moderate	Blue
Red	##-422R	Moderate	Red
White	##-422W	Light	White

**SQUEEGEE BLADE KITS & SQUEEGEE ASSEMBLIES:**

SQUEEGEE SIZE	17" DECKS	20" DECKS
26" Squeegee	Optional	Optional
30" Squeegee	Standard	Optional
34" Squeegee	Optional	Standard

SQUEEGEE SIZE	GUM RUBBER BLADE KIT	LINATEX BLADE KIT	URETHANE BLADE KIT	COMPLETE SQUEEGEE ASSEMBLIES
26" Squeegee	130-770G	130-770L	130-770U	130-7180
30" Squeegee	150-770G	150-770L	150-770U	150-7180
34" Squeegee	180-770G	180-770L	180-770U	180-7180

**NOTICE**

Squeegee blade kits include (1) Rear Blade, (1) Front Blade, and (2) Backup Wheels with hardware.

**NOTICE**

Squeegee Assemblies (complete) listed above all come with Linatex blades.

**NOTICE**

Size is stamped into the top of the painted steel squeegee body on all squeegee's.

**NOTICE**

The 26" squeegee is designed for narrow aisles and may not have the same water control around tight turns as the large squeegees.

**BLANK**  
THIS PAGE WAS INTENTIONALLY LEFT BLANK

**FACTORYCAT<sup>®</sup>**

1711 South Street  
Racine, WI 53404  
[www.factorycat.com](http://www.factorycat.com)  
Tel. US: 800-634-4060  
Tel. Int: (001) 262-681-3583