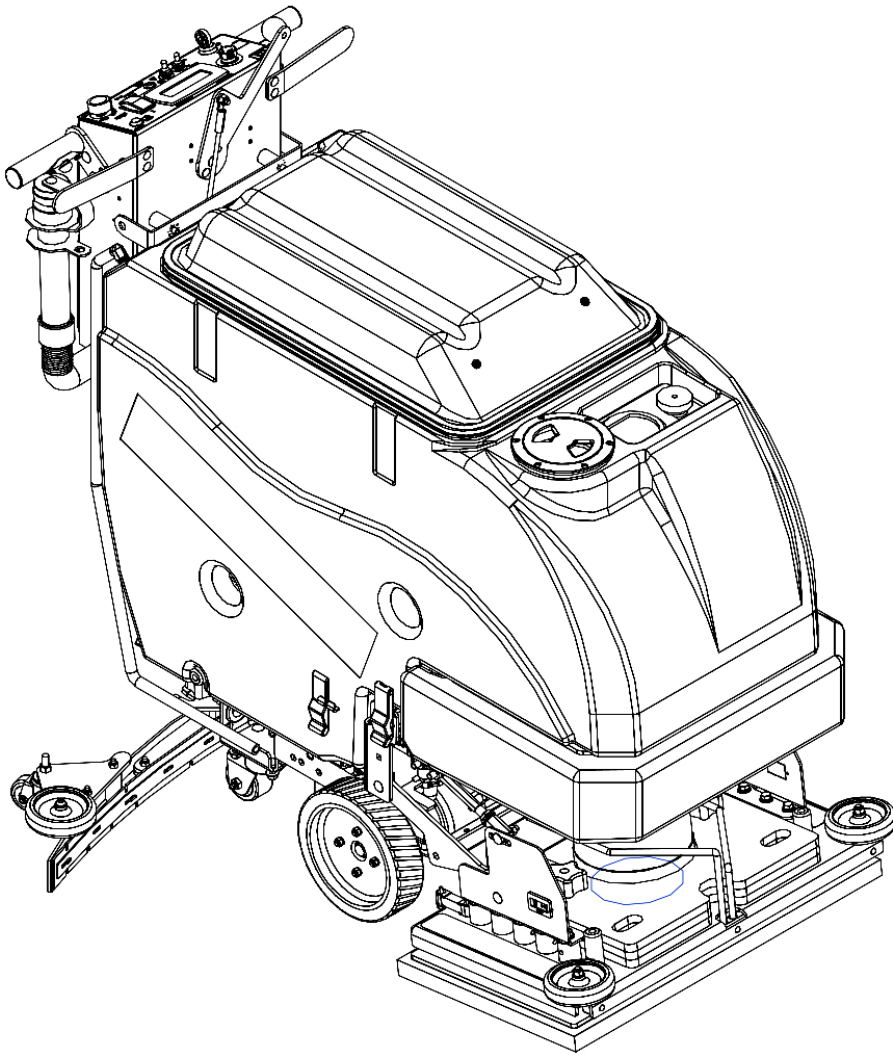


Parts Manual (EN)

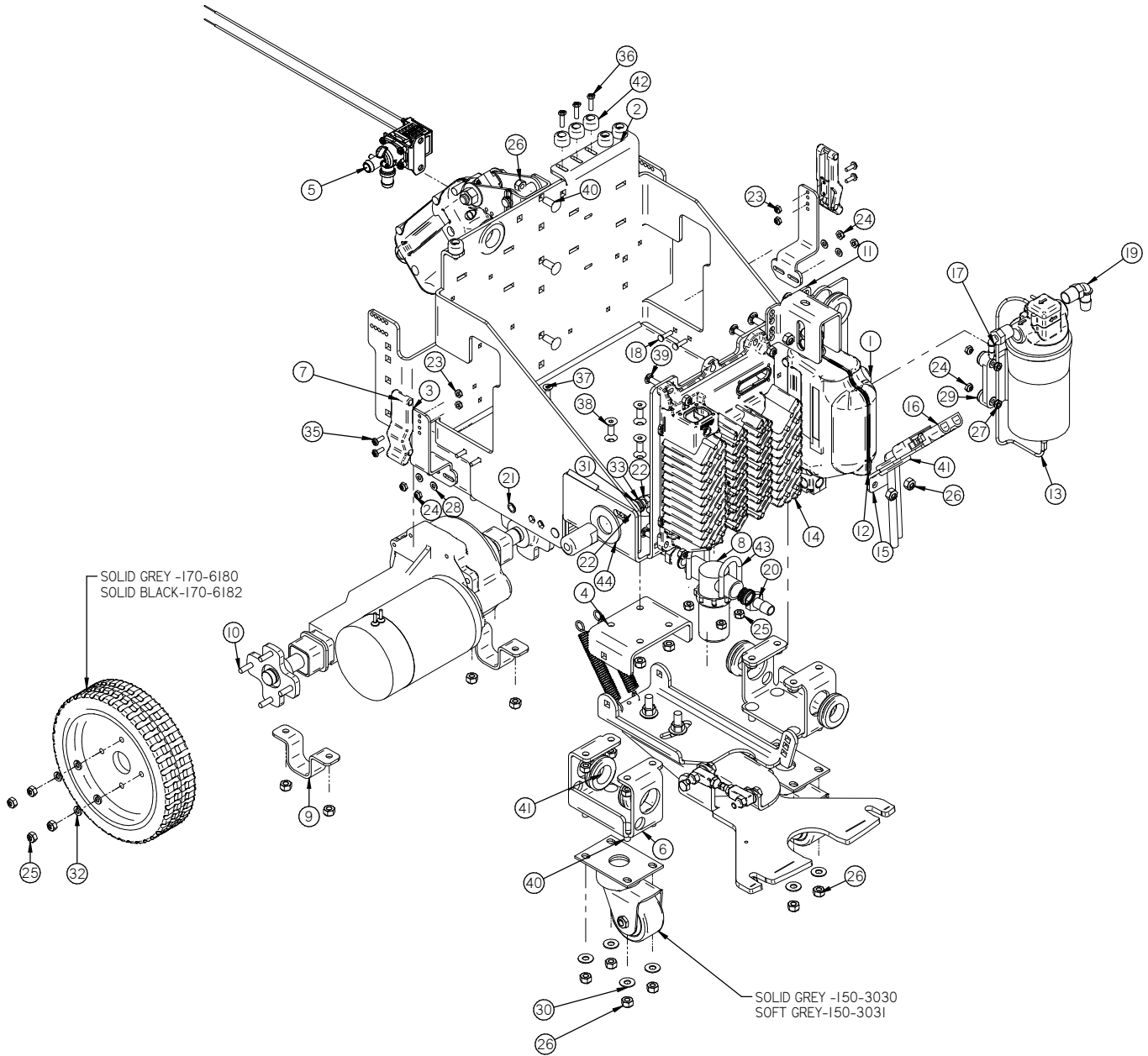


Read Operation Instructions
before using the machine.



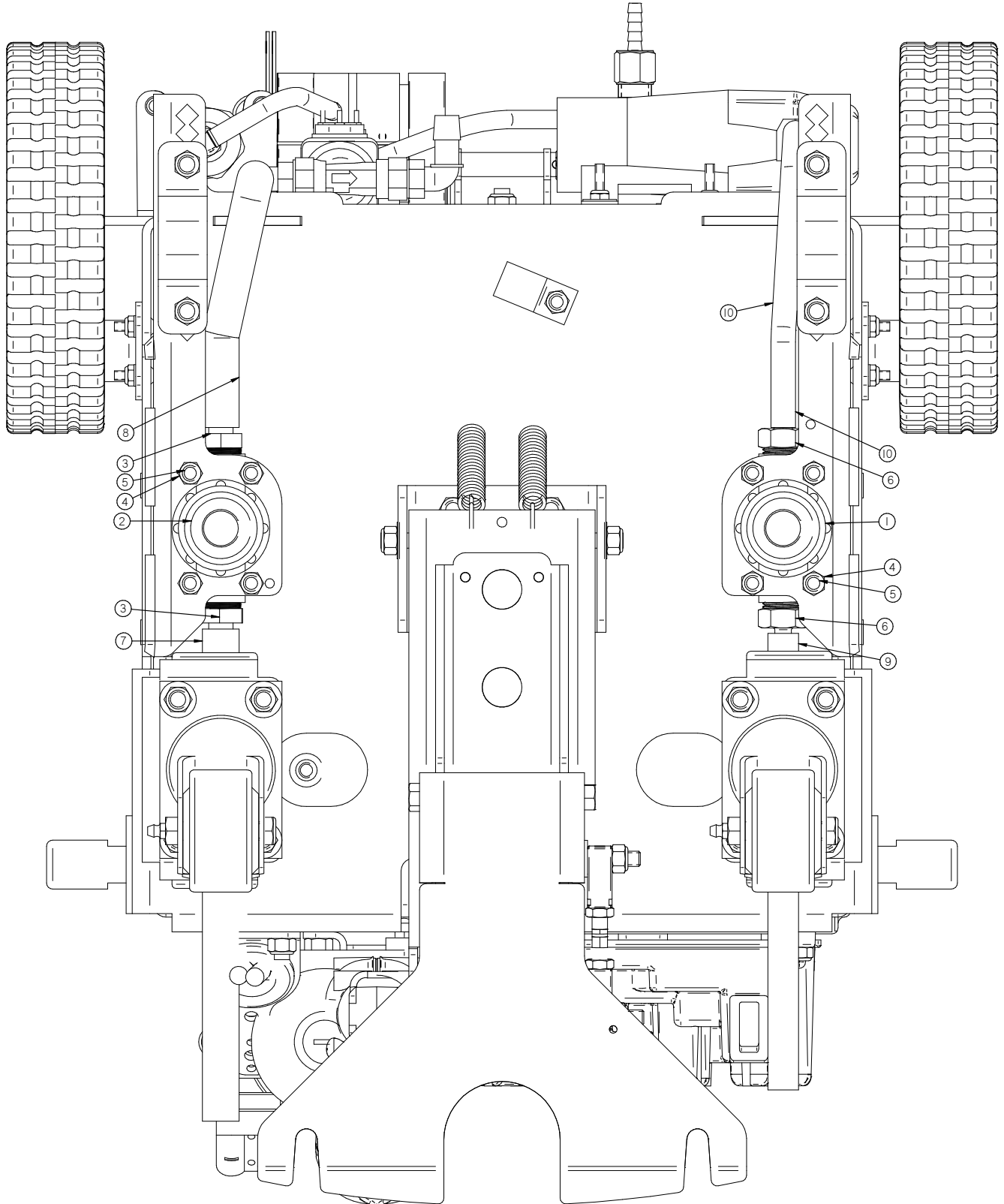
Read the Safety Messages
before using the machine.

Frame Assembly.....	4
Frame Assembly - Bottom View	5
Actuator & Frame Support.....	6
Squeegee Drag Link.....	7
20 Disk Deck	8
20 inch Disk Shroud	9
26 Inch Disk Deck.....	10
26 Inch Disk Deck Shroud	11
Cylindrical Assembly.....	12
Cylindrical Drive Assembly	13
Cylindrical Door	14
Clean Caddy.....	15
ORBITAL Decks.....	16
ORBITAL Lifting Bracket.....	17
Standard XL Tank Assembly.....	18
Standard XL Tank - Drain Saver, Vac Box, Baffle Assembly	19
Standard XL Tank - Vacuum Bandeau Assembly	20
Batteries & Chargers	21
Legacy Central Command Assembly	22
Military Central Command Assembly.....	24
Touch Screen Central Command Assembly	26
ZerO3 Onboard Option Assembly	28
ZerO3 Onboard Option Plumbing.....	29
Squeegees	30
Common Wear Parts	32
Common Wear Parts	33
Tank Stickers	34

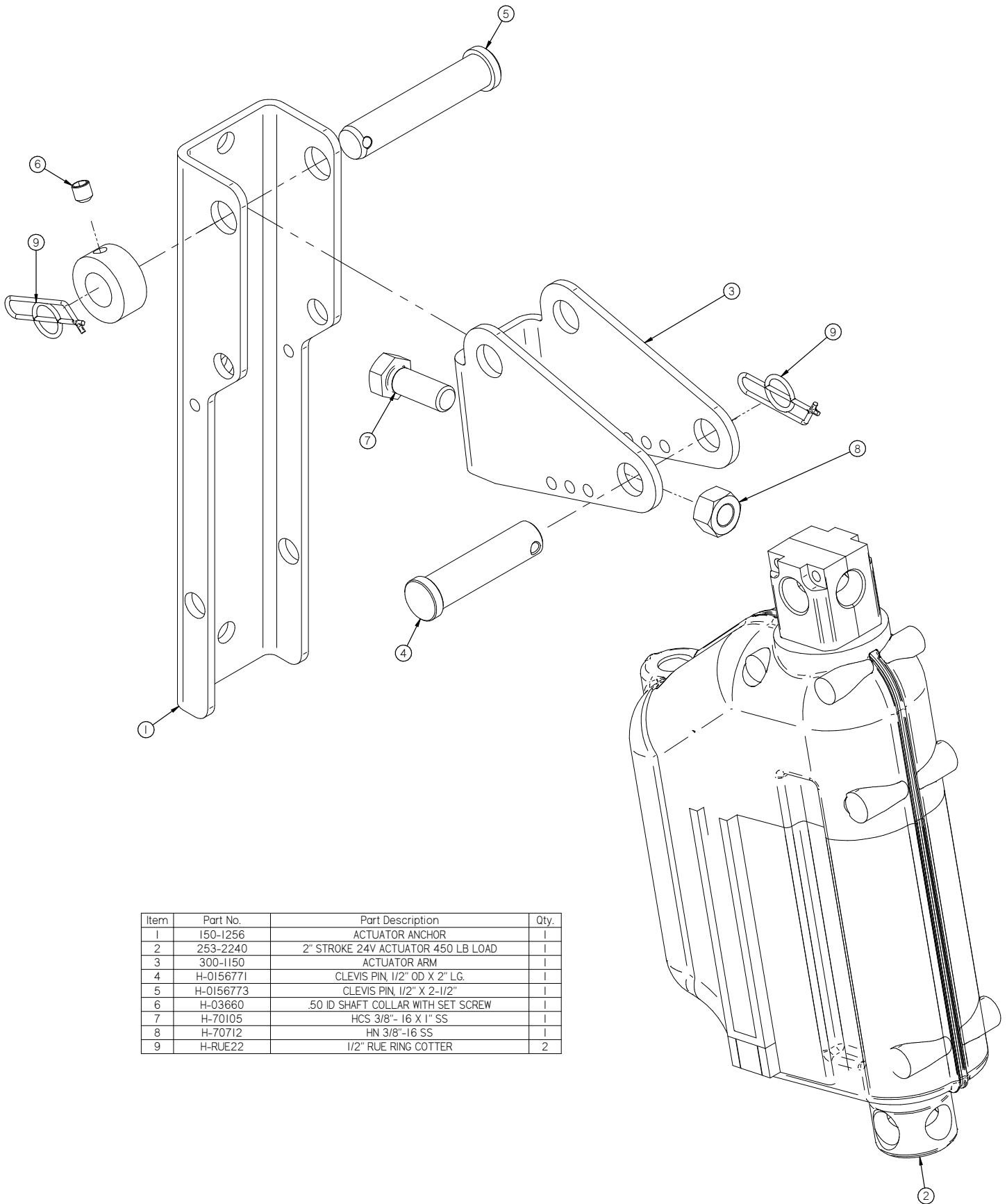


Item	Part No.	Part Description	Qty.	Item	Part No.	Part Description	Qty.
1	150-1061	BOSS	2	23	H-70856	NYLOK #8-32 SS	4
2	150-1106	SPORT FRAME	1	24	H-70858	NYLOK #10-32 SS	15
3	150-1123	TANK LATCH	2	25	H-70860	NYLOK 1/4" - 20 SS	17
4	150-1380	SQUEEGEE DRAG BRACKET	1	26	H-70861	NYLOK 5/16" - 18 SS	30
5	150-4500	24V VALVE	1	27	H-70923	KN #10-32 SS	10
6	150-5010	CASTER MOUNT	2	28	H-71009	FW #10 SS	4
7	170-1240	LATCH	2	29	H-71010	FW #10 ID X 11/16 OD SS	2
8	175-9135	INLINE FILTER W/BLACK 40 MESH SCREEN	1	30	H-71015	FW 5/16 ID X 3/4 OD SS	6
9	21-1010	AXLE MOUNT	2	31	H-71017	FW 3/8 ID X 7/8 OD SS	2
10	21-3009	TRANSAXLE	1	32	H-71063	LW 1/4" SS	4
11	253-1099	AUTO SQUEEGEE LIFT BRACKET	1	33	H-71067	LW 3/8" SS	2
12	253-2240	2" STROKE 24V ACTUATOR 450 LB LOAD	1	34	H-72393	PPH #6-32 X 2" MS S/S	2
13	253-8910	PUMP, WATER JET	1	35	H-72398	PPH #8-32 X 1/2" S/S	4
14	264-2440	ONBOARD CHARGER	1	36	H-72416	PPHMS #10-32 X 3/4" S/S	6
15	264-9516	CHARGER CONECTOR BRACKET	1	37	H-73882	FHSCS 1/4" - 20 X 3/4" S/S	1
16	4-259	CONNECTOR, RED 50, HOUSING ONLY	2	38	H-73907	FHSCS 5/16" - 18 X 3/4" SS	12
17	400-1225	.375 NPT X .25 BARB X 90 DEG	1	39	H-74419	CB 1/4" - 20 X .75" SS	4
18	H-0172520	CB #10-32 X 3/4" SS	4	40	H-74429	CB 5/16" - 18 X 3/4" SS	19
19	H-04763	ELBOW, 90 DEG X 3/8" MNPT X 1/2" BARB, NYLON	1	41	H-9307K74	GROMMET, 1" ID X 1-3/4" OD BUNA-N	7
20	H-04788	.50 NPT X .50 BARB	2	42	H-9540	RUBBER BUMPER, 25/32"	6
21	H-250HCN	HCN 1/4"-20	4	43	M-3043T13	1/4"-20 X 1.0" U-BOLT	2
22	H-70109	HCS 3/8" - 16 X 1-1/2" SS	2	44	M-90133A440	3/8 ID X 5/8 OD RUBBER WASHER	2

Frame Assembly - Bottom View

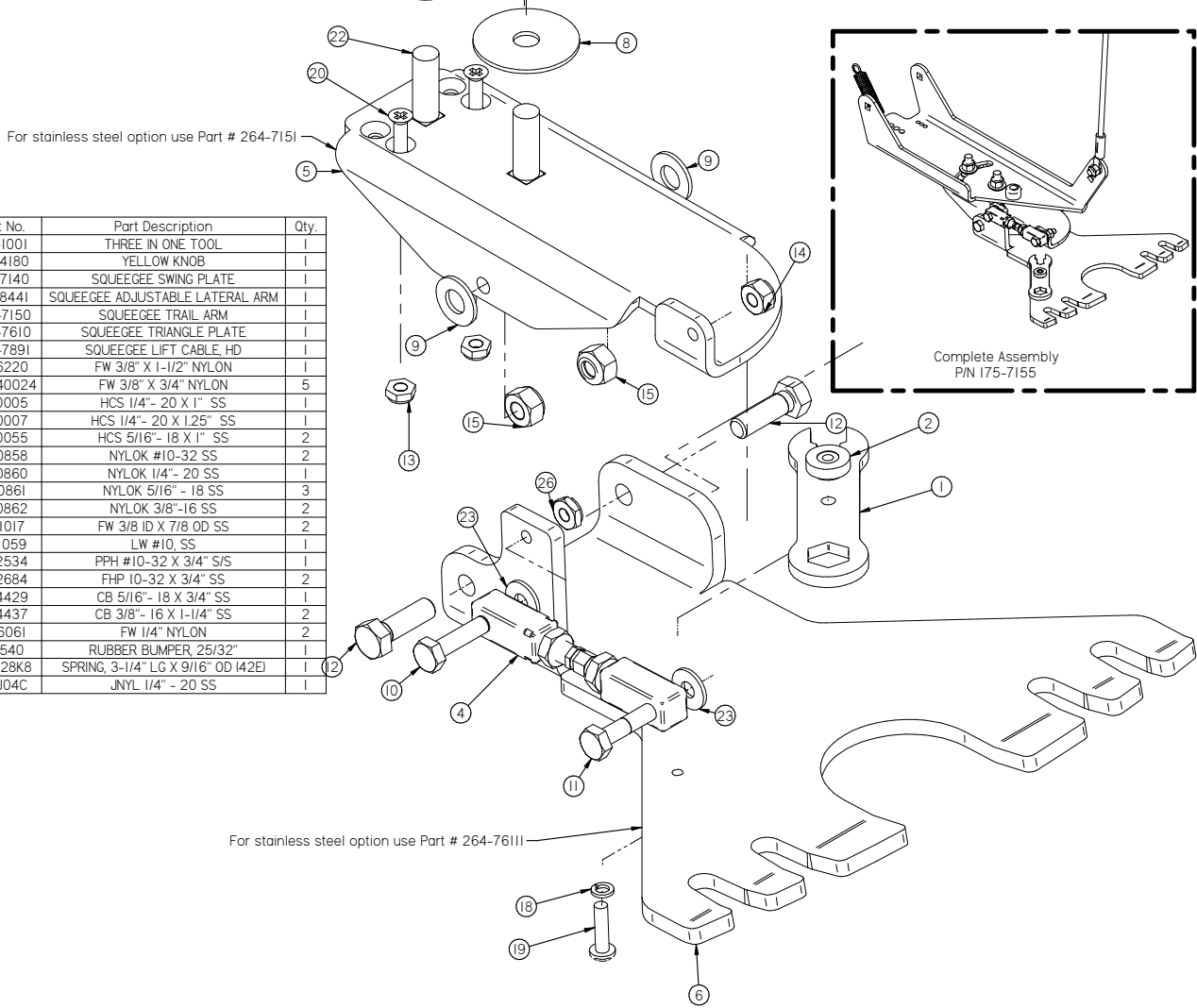
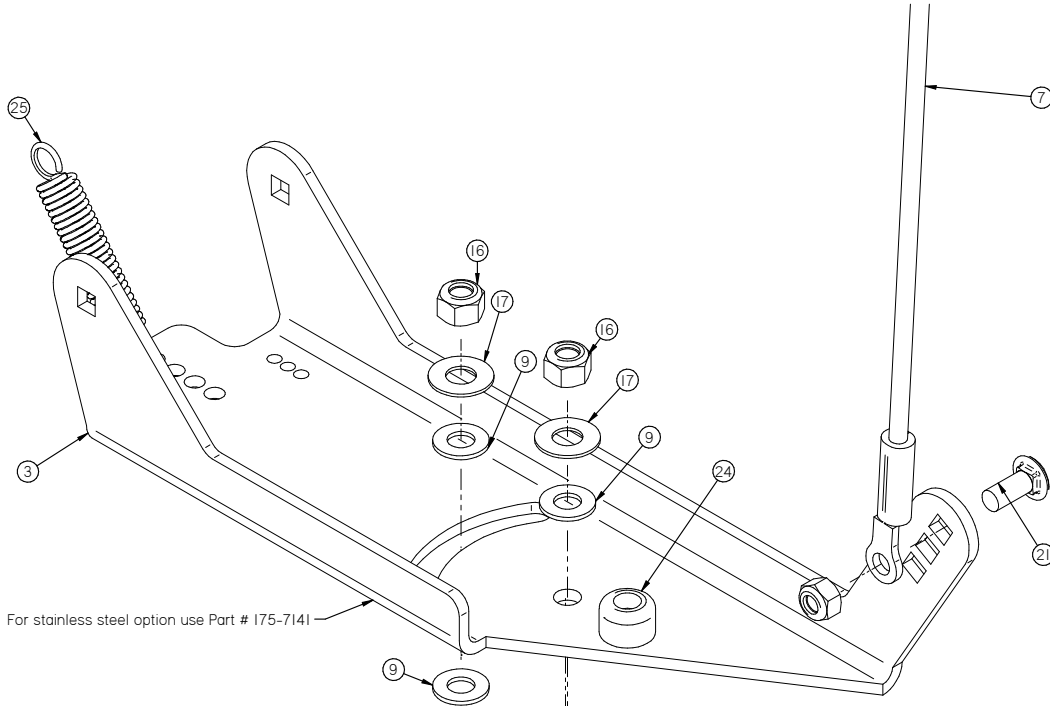


Item	Part No.	Part Description	Qty.
1	I75-9130	INLINE FILTER	1
2	I75-9135	INLINE FILTER W/BLACK 40 MESH SCREEN	1
3	H-04788	.50 NPT X .50 BARB	2
4	H-70860	NYLOK 1/4" - 20 SS	2
5	M-3043T13	1/4-20 X 1.0" U-BOLT	2
6	M-5463K461	.50 NPT X .375 BARB.par	2
7	T-050R6000	BULK 1/2" ID X 5' WIRE REINFORCED SOLUTION HOSE	1
8	T-050R6000	BULK 1/2" ID X 5' WIRE REINFORCED SOLUTION HOSE	1
9	T-375R6000	BULK 3/8" ID X 5' WIRE REINFORCED ZERO HOSE	1
10	T-375R6000	BULK 3/8" ID X 5' WIRE REINFORCED ZERO HOSE	1

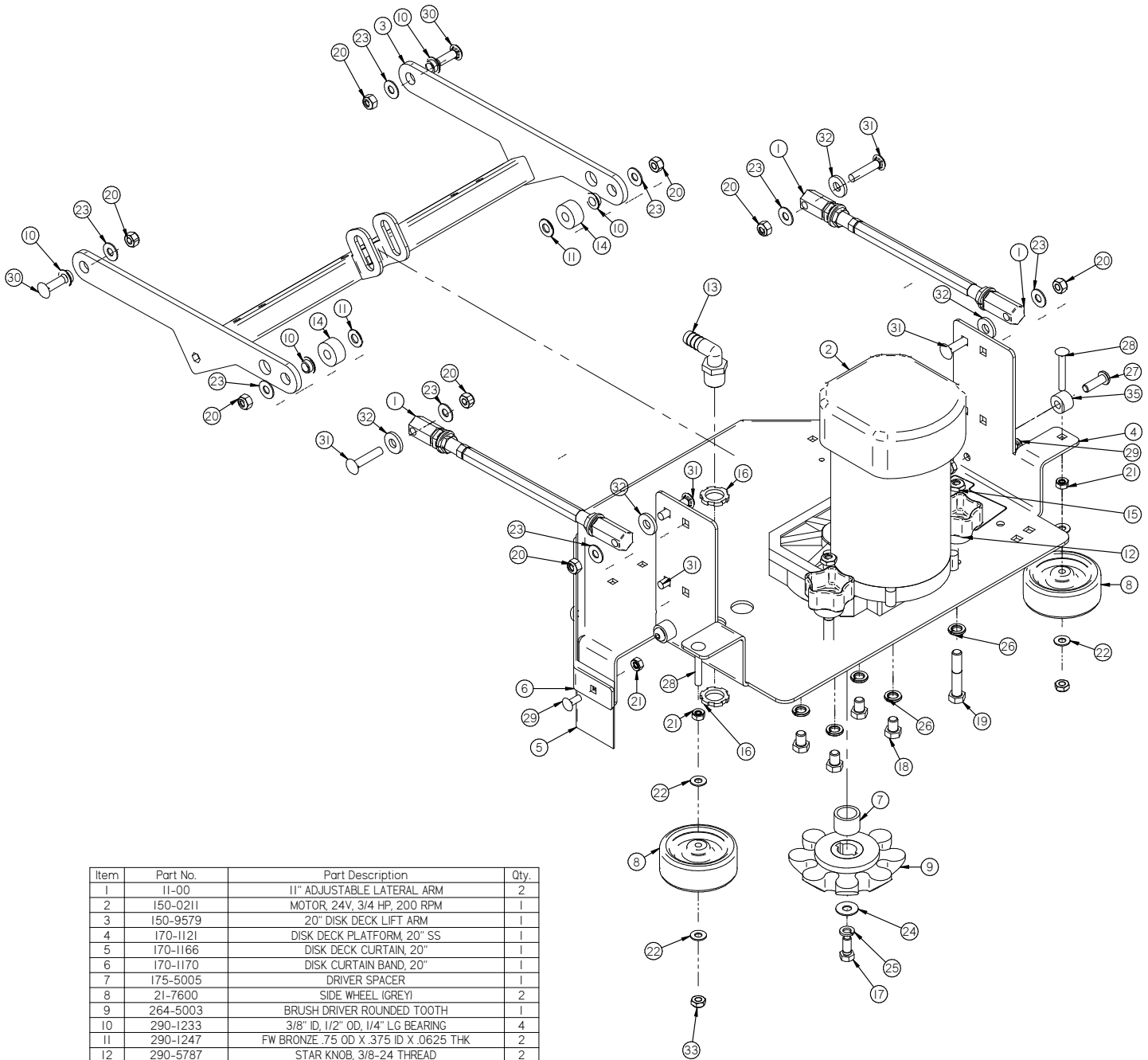


Item	Part No.	Part Description	Qty.
1	I50-I256	ACTUATOR ANCHOR	1
2	253-2240	2" STROKE 24V ACTUATOR 450 LB LOAD	1
3	300-1150	ACTUATOR ARM	1
4	H-0156771	CLEVIS PIN, 1/2" OD X 2" LG.	1
5	H-0156773	CLEVIS PIN, 1/2" X 2-1/2"	1
6	H-03660	.50 ID SHAFT COLLAR WITH SET SCREW	1
7	H-70105	HCS 3/8"- 16 X 1" SS	1
8	H-70712	HN 3/8"-16 SS	1
9	H-RUE22	1/2" RUE RING COTTER	2

Squeegee Drag Link

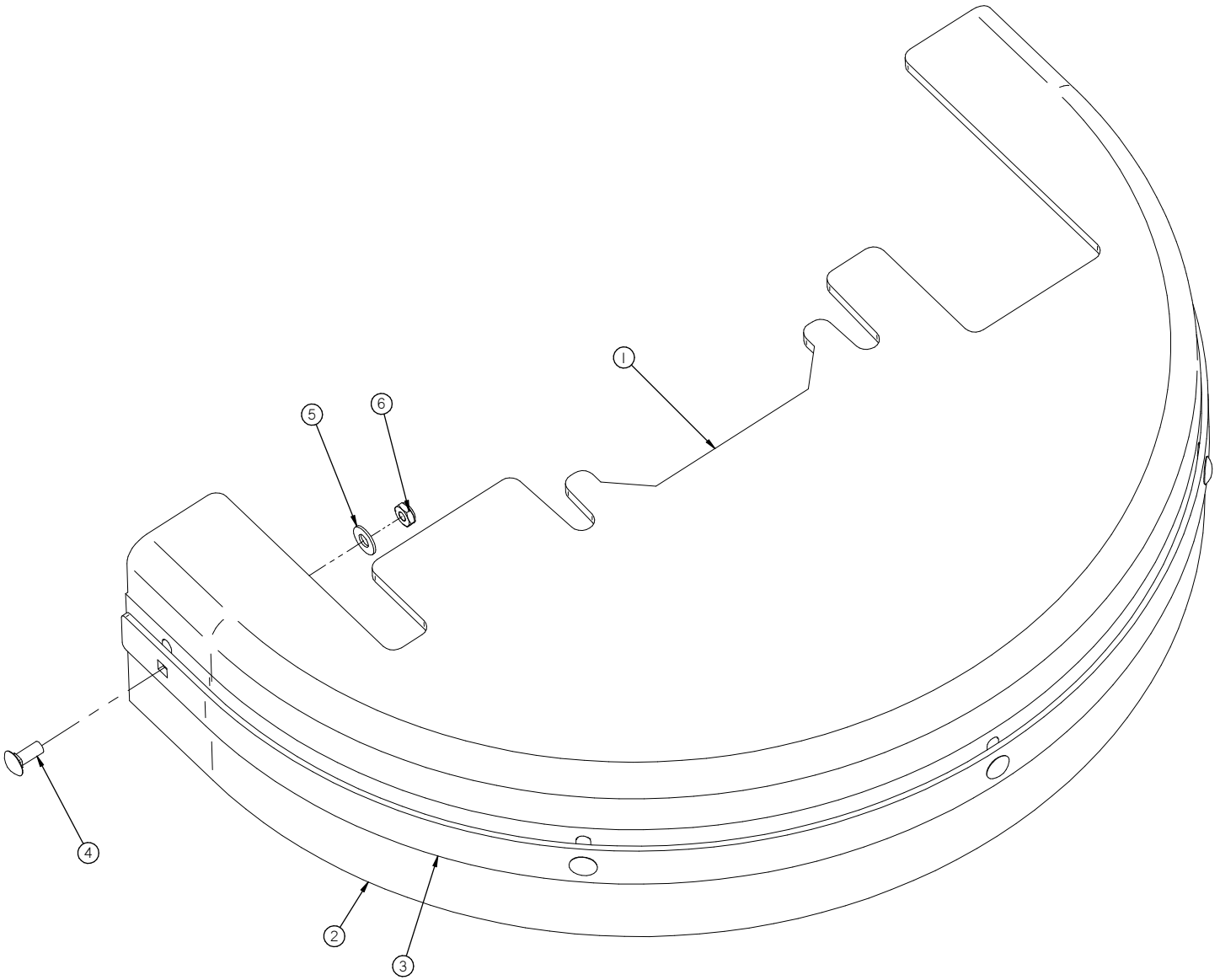


Item	Part No.	Part Description	Qty.
1	175-1001	THREE IN ONE TOOL	1
2	175-4180	YELLOW KNOB	1
3	175-7140	SQUEEGEE SWING PLATE	1
4	175-8441	SQUEEGEE ADJUSTABLE LATERAL ARM	1
5	264-7150	SQUEEGEE TRAIL ARM	1
6	264-7610	SQUEEGEE TRIANGLE PLATE	1
7	264-7891	SQUEEGEE LIFT CABLE, HD	1
8	H-06220	FW 3/8" X 1-1/2" NYLON	1
9	H-4440024	FW 3/8" X 3/4" NYLON	5
10	H-70005	HCS 1/4"- 20 X 1" SS	1
11	H-70007	HCS 1/4"- 20 X 1.25" SS	1
12	H-70055	HCS 5/16"- 18 X 1" SS	2
13	H-70858	NYLOK #10-32 SS	2
14	H-70860	NYLOK 1/4"- 20 SS	1
15	H-70861	NYLOK 5/16"- 18 SS	3
16	H-70862	NYLOK 3/8"-16 SS	2
17	H-71017	FW 3/8 ID X 7/8 OD SS	2
18	H-71059	LW #10, SS	1
19	H-72534	PPH #10-32 X 3/4" S/S	1
20	H-72684	FHP 10-32 X 3/4" SS	2
21	H-74429	CB 5/16"- 18 X 3/4" SS	1
22	H-74437	CB 3/8"- 16 X 1-1/4" SS	2
23	H-76061	FW 1/4" NYLON	2
24	H-9540	RUBBER BUMPER, 25/32"	1
25	H-9628K8	SPRING, 3-1/4" LG X 9/16" OD (42E)	1
26	H-NJ04C	JNYL 1/4" - 20 SS	1

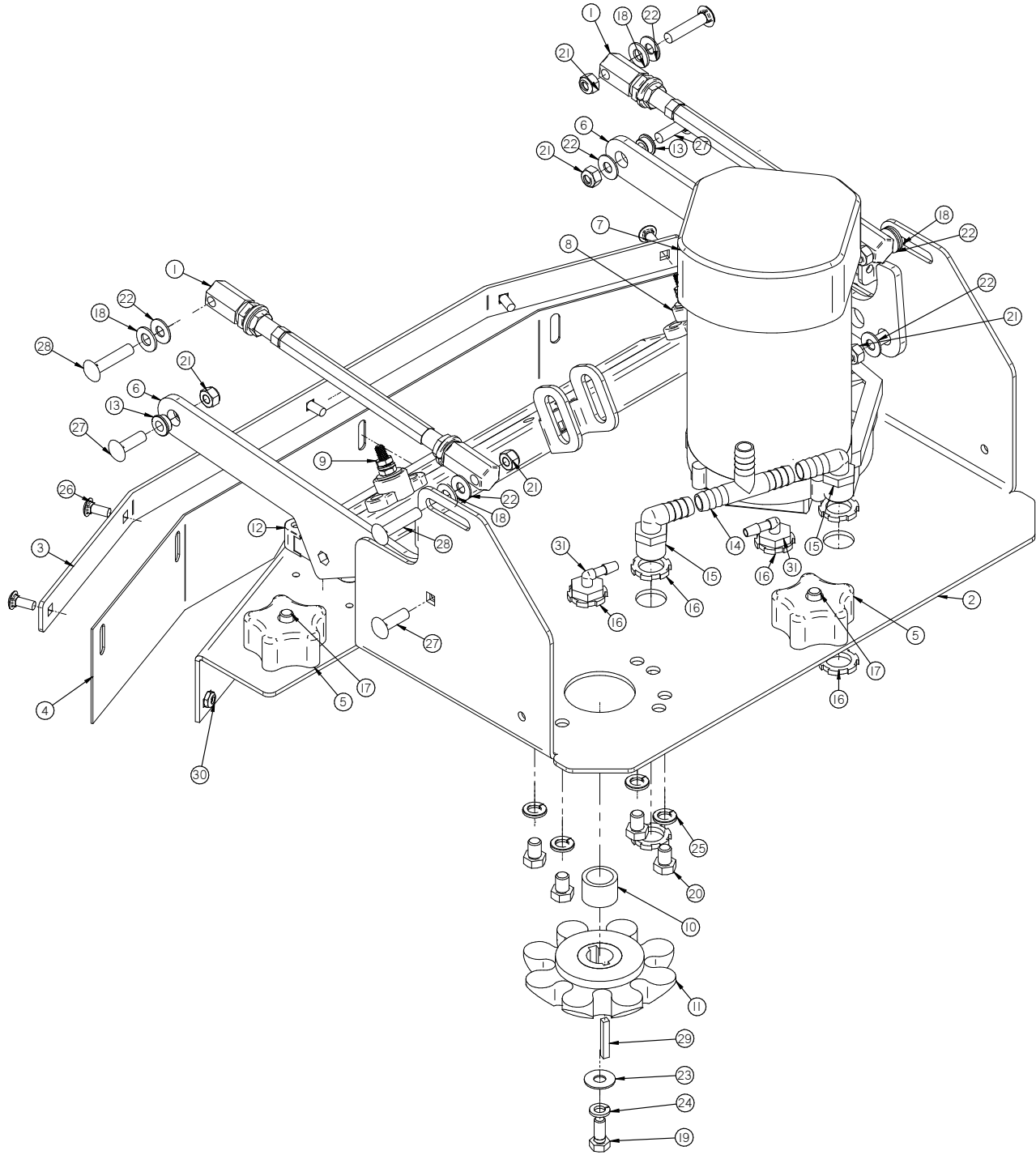


Item	Part No.	Part Description	Qty.
1	11-00	11" ADJUSTABLE LATERAL ARM	2
2	150-0211	MOTOR, 24V, 3/4 HP, 200 RPM	1
3	150-9579	20" DISK DECK LIFT ARM	1
4	170-1121	DISK DECK PLATFORM, 20" SS	1
5	170-1166	DISK DECK CURTAIN, 20"	1
6	170-1170	DISK CURTAIN BAND, 20"	1
7	175-5005	DRIVER SPACER	1
8	21-7600	SIDE WHEEL (GREY)	2
9	264-5003	BRUSH DRIVER ROUNDED TOOTH	1
10	290-1233	3/8" ID, 1/2" OD, 1/4" LG BEARING	4
11	290-1247	FW BRONZE .75 OD X .375 ID X .0625 THK	2
12	290-5787	STAR KNOB, 3/8"-24 THREAD	2
13	5-447	1/2 NPT X 1/2" BARB ELBOW	1
14	8-618	SPACER	2
15	H-0171004	JNYL 3/8- 24 SS	2
16	H-07005	1/2" NPT LOCKNUT	4
17	H-70053	HCS 5/16"- 18 X 3/4" SS	1
18	H-70133	HCS 3/8"-24 X 1/2" SS	4
19	H-70146	HCS 3/8"- 24 X 2" SS	2
20	H-70861	NYLON 5/16"- 18 SS	8
21	H-70925	KN 1/4-20 S/S	7
22	H-71013	FW 1/4 ID X 5/8 OD SS	4
23	H-71015	FW 5/16 ID X 3/4 OD SS	8
24	H-71016	FW 5/16 ID X 7/8 OD SS	1
25	H-71065	LW 5/16" SS	1
26	H-71067	LW 3/8" SS	6
27	H-73780	BHSCS 5/16-18 X 1	2
28	H-74396	CB 1/4"- 20 X 1-3/4" SS	2
29	H-74418	CB 1/4"- 20 X 5/8" S/S	5
30	H-74430	CB 5/16"- 18 X 1" SS	2
31	H-74432	CB 5/16"- 18 X 1-1/2" SS	6
32	H-98025	FW 3/8" GRADE 8	4
33	H-NJ05C	JNYL 5/16"- 18 SS	4
34	M-5463K494	1/2 NPT X 1/4" BARB ELBOW	1
35	M-92825A201	.325" ID X 3/4" OD X 1/2" LDPE SPACER	2

20 inch Disk Shroud

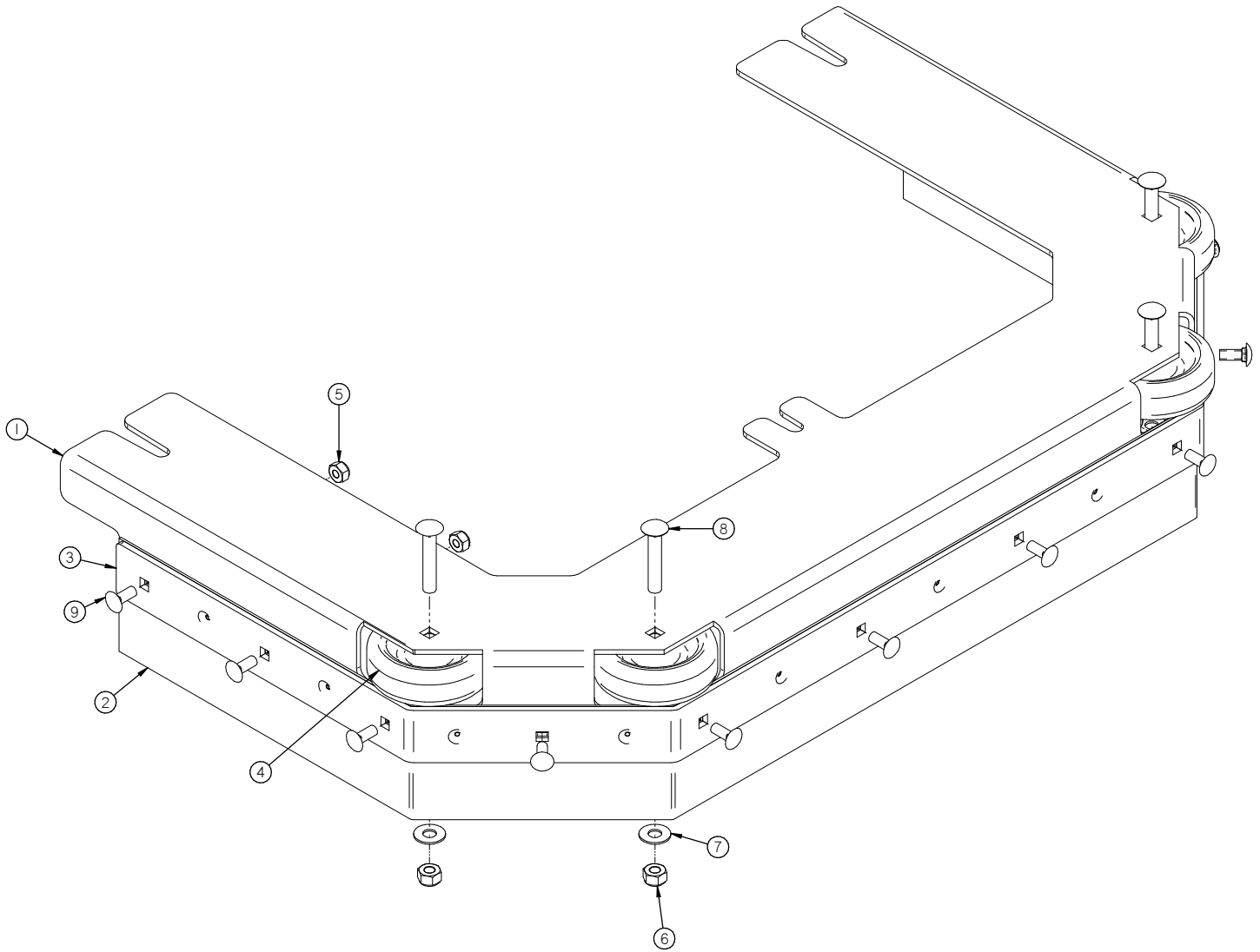


Item	Part No.	Part Description	Qty.
1	170-1141	DISK DECK SHROUD, 20"	1
2	260-1164	20" SHROUD CURTAIN	1
3	260-1174	20" SHROUD CURTAIN BAND	1
4	H-21800	CB 1/4" - 20 X 5/8" ZINK	5
5	H-33078	FW 1/4 ID X 5/8 OD ZINK	5
6	H-37020	JNYL 1/4" - 20 ZINK	5

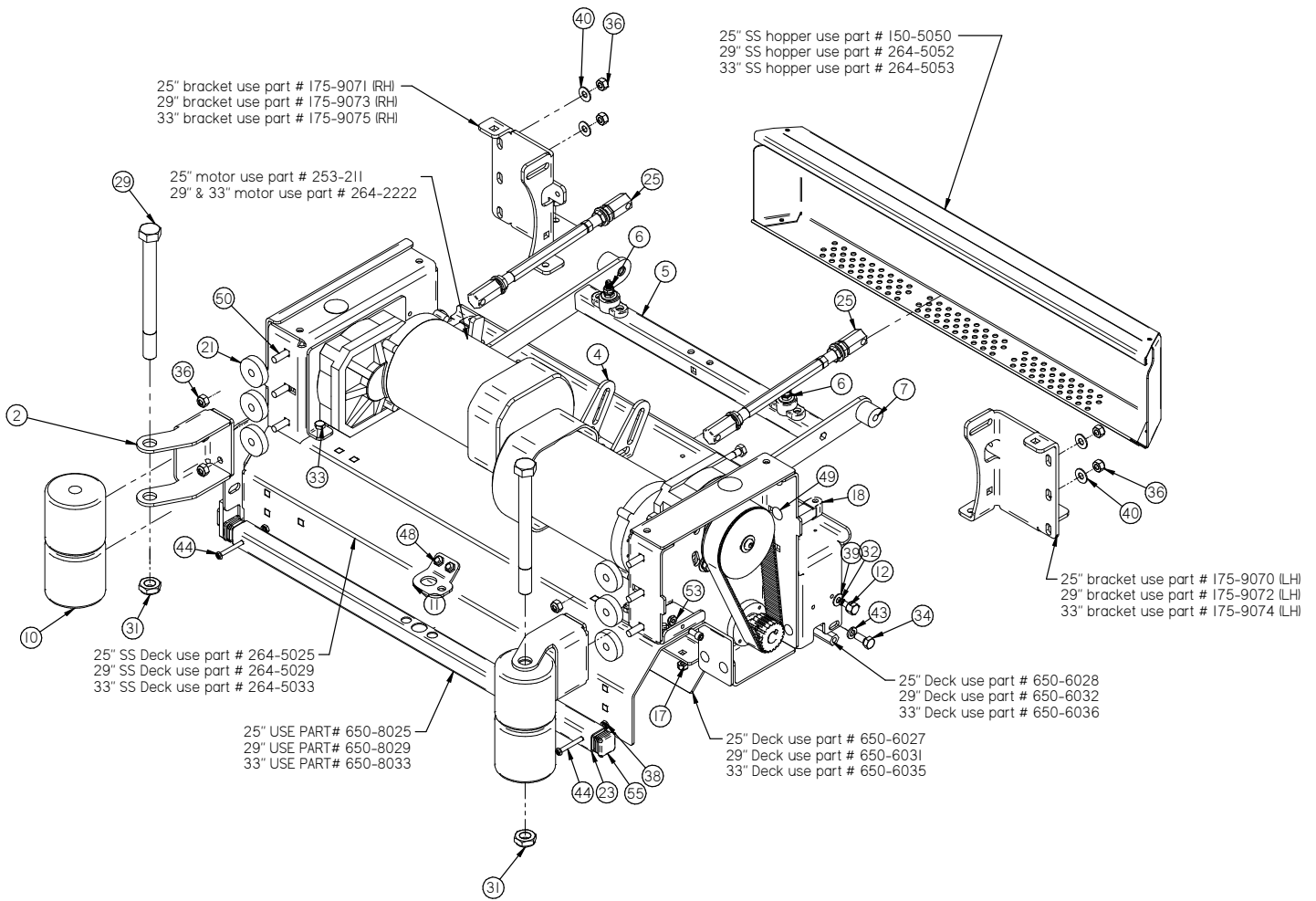


Item	Part No.	Part Description	Qty.	Item	Part No.	Part Description	Qty.
1	10-50	10.50" ADJUSTABLE LATERAL ARM	2	17	H-13815	HCS 3/8"- 16 X 2-1/2" ZINK (FULLY THREADED)	3
2	150-0403	DISK DECK PLATFORM, 26" SS	1	18	H-4440024	FW 3/8" X 3/4" NYLON	4
3	150-1154	CURTAIN BAND, 26"	1	19	H-70053	HCS 5/16"- 18 X 3/4" SS	2
4	150-1163	DISK DECK CURTAIN, 26"	1	20	H-70133	HCS 3/8"-24 X 1/2" SS	8
5	150-5786	STAR KNOB, 3/8-16 THREAD	3	21	H-70861	NYLOK 5/16" - 18 SS	8
6	150-9589	SCRUBDECK LIFT ARM, DISK	1	22	H-71015	FW 5/16 ID X 3/4 OD SS	8
7	175-2111	MOTOR, 24V, 3/4 HP, 270 RPM	2	23	H-71016	FW 5/16 ID X 7/8 OD SS	2
8	175-2700	NEG INSULATOR POST (BLACK)	1	24	H-71065	LW 5/16" SS	2
9	175-2710	POS INSULATOR POST (RED)	1	25	H-71067	LW 3/8" SS	11
10	175-5005	DRIVER SPACER	2	26	H-74418	CB 1/4"- 20 X 5/8" S/S	5
11	264-5003	BRUSH DRIVER 8 LOBE	2	27	H-74430	CB 5/16"- 18 X 1" SS	4
12	300-4030	LEVEL	2	28	H-74432	CB 5/16"- 18 X 1-1/2" SS	4
13	370-1247	BUSHING 5/16 X 1/2 X 3/16	4	29	H-K14320	3/16" X 1/4" KEY	2
14	5-446	1/2" PLASTIC BARB TEE	1	30	H-NJ04C	JNYL 1/4" - 20 SS	5
15	5-447	1/2 NPT X 1/2" BARB ELBOW	2	31	M-5463K494	1/2 NPT X 1/4" BARB ELBOW	2
16	H-07005	1/2" NPT LOCKNUT	8				

26 Inch Disk Deck Shroud

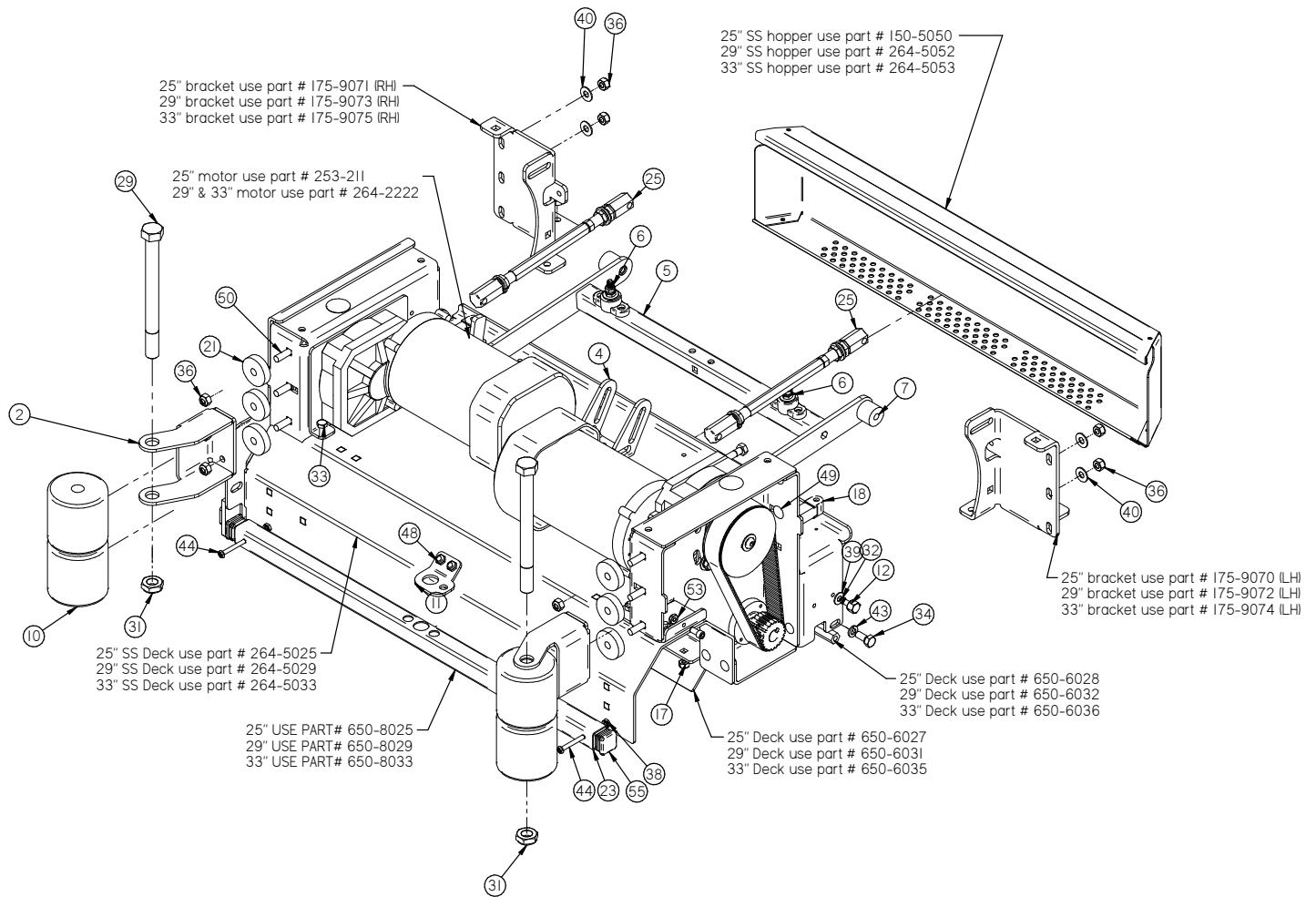


Item	Part No.	Part Description	Qty.
1	150-1110	26 INCH SHROUD	1
2	150-1164	26" SHROUD CURTAIN	1
3	150-1174	26" SHROUD CURTAIN BAND	1
4	150-7601	3" SIDE WHEEL (GREY)	4
5	H-70860	NYLOK 1/4"- 20 SS	12
6	H-70861	NYLOK 5/16" - 18 SS	4
7	H-71015	FW 5/16 ID X 3/4 OD SS	4
8	H-74401	CB 5/16"- 18 X 1-3/4" SS	4
9	H-74418	CB 1/4"- 20 X 5/8" S/S	12

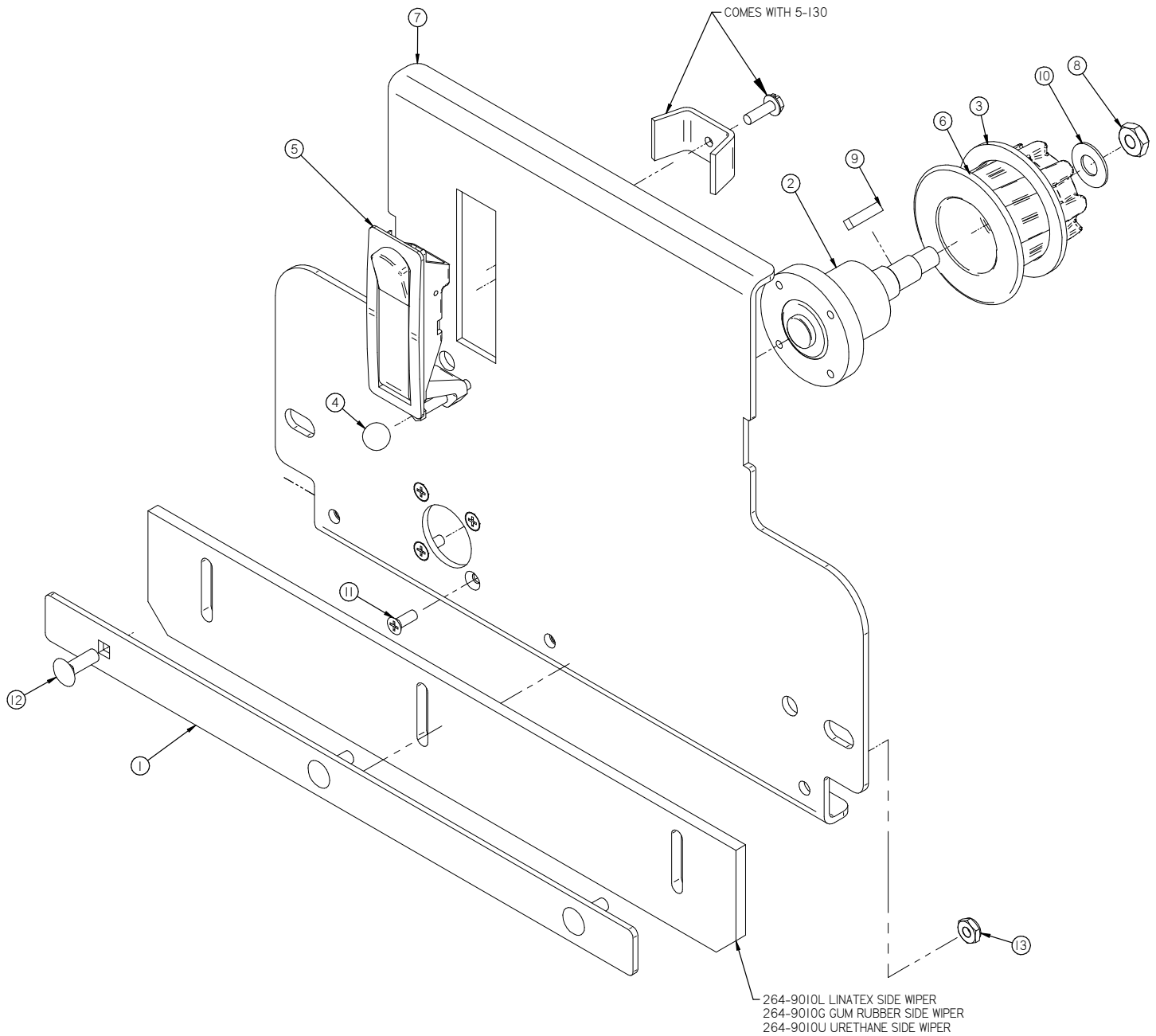


Item	Part No.	Part Description	Qty.	Item	Part No.	Part Description	Qty.
1*		HCS 5/16"- 18 X 1-1/4"	1	29	H-13327	HB 5/8"- 11 X 7"	2
2	150-1129	ROLLER BRACKET	2	30	H-25382	SETSCREW, KCP, 1/4"-20 X 1/2"	8
3*	150-5050	HOPPER BODY SS	1	31	H-37038	JNYL 5/8"- 11	2
4	150-9006	DECK LIFTING BRACKET	1	32	H-66802	O-RING, 3/16" X 5/16" X #8 BUNA	2
5	150-9590	SCRUBDECK LIFT ARM, CYLINDRICAL	1	33	H-70003	HCS 1/4"-20 X 3/4" SS	4
6	175-2700	NEG INSULATOR POST (BLACK)	2	34	H-70053	HCS 5/16"- 18 X 3/4" SS	2
7	175-8460	STANDOFF, .8125"	2	35*	H-70858	NYLOK #10-32 SS	2
8*	175-9070	CYLINDRICAL LIFTING BRACKET, LH, 25"	1	36	H-70861	NYLOK 5/16" - 18 SS	15
9*	175-9071	CYLINDRICAL LIFTING BRACKET, RH, 25"	1	37	H-70889	HOLE PLUG 7/8"	2
10	21-1127	ROLLER	4	38	H-70923	KN #10-32 SS	2
11	253-9003	QUICK DISCONNECT BRACKET	1	39	H-71013	FW 1/4 ID X 5/8 OD SS	2
12	253-9024	THUMB SCREW	2	40	H-71015	FW 5/16 ID X 3/4 OD SS	4
13	264-8215	TIMING SPROCKET 26 TOOTH	2	41	H-71016	FW 5/16 ID X 7/8 OD SS	2
14	264-8225	TIMING SPROCKET 56 TOOTH	2	42	H-71017	FW 3/8 ID X 7/8 OD SS	10
15*	264-8230	HI-PERFORMANCE PD PLUS BELT	2	43	H-71065	LW 5/16" SS	2
16	264-9002	MOTOR ADJ BRACKET	2	44	H-72554	PPH #10-32 X 1-1/2"	2
17	264-9029	CYLINDRICAL BRUSH-HEAD, 29"	1	45	H-72682	FHP #10-32 X 1/2" SS	8
18	300-4030	LEVEL	2	46*	H-73459	SHCS 1/4-20 X 1/2 SS	3
19*	370-1247	BUSHING 5/16 X 1/2 X 3/16	4	47	H-73777	BHSCS 5/16-18 X 1/2"	2
20	370-8240A	BEARING HOUSING/BEARING	2	48	H-74417	CB 1/4"- 20 X 5" SS	2
21	4-446	GROMMET-3/8 ID X 1-1/2 OD X .375	6	49	H-74429	CB 5/16"- 18 X 3/4" SS	10
22	600-8371	CYLINDRICAL DRIVER (HARDCOAT)	2	50	H-74430	CB 5/16"- 18 X 1" SS	6
23	650-8025	SQ. SOLUTION FEED TUBE (251	1	51	H-90895	WASHER, SERRATED BELLEVILLE, 3/8", S/S	8
24	650-9004	MOTOR SPACER	2	52	H-K14320	3/16" X 1 1/4" KEY	2
25	9-75	9-3/4" ADJUSTABLE LATERAL ARM	2	53	H-NJ04C	JNYL 1/4" - 20 SS	5
26	H-01125	3/16" X 1" KEY	2	54	M-92865A214	HCS 3/8"-24 X 7/8" SS	8
27	H-0171004	JNYL 3/8- 24 SS	2	55	M-9565K51	I.O X I.O SQ TUBE PLUG	2
28	H-0953152	3/16" X 3/4" KEY	2				

Cylindrical Drive Assembly

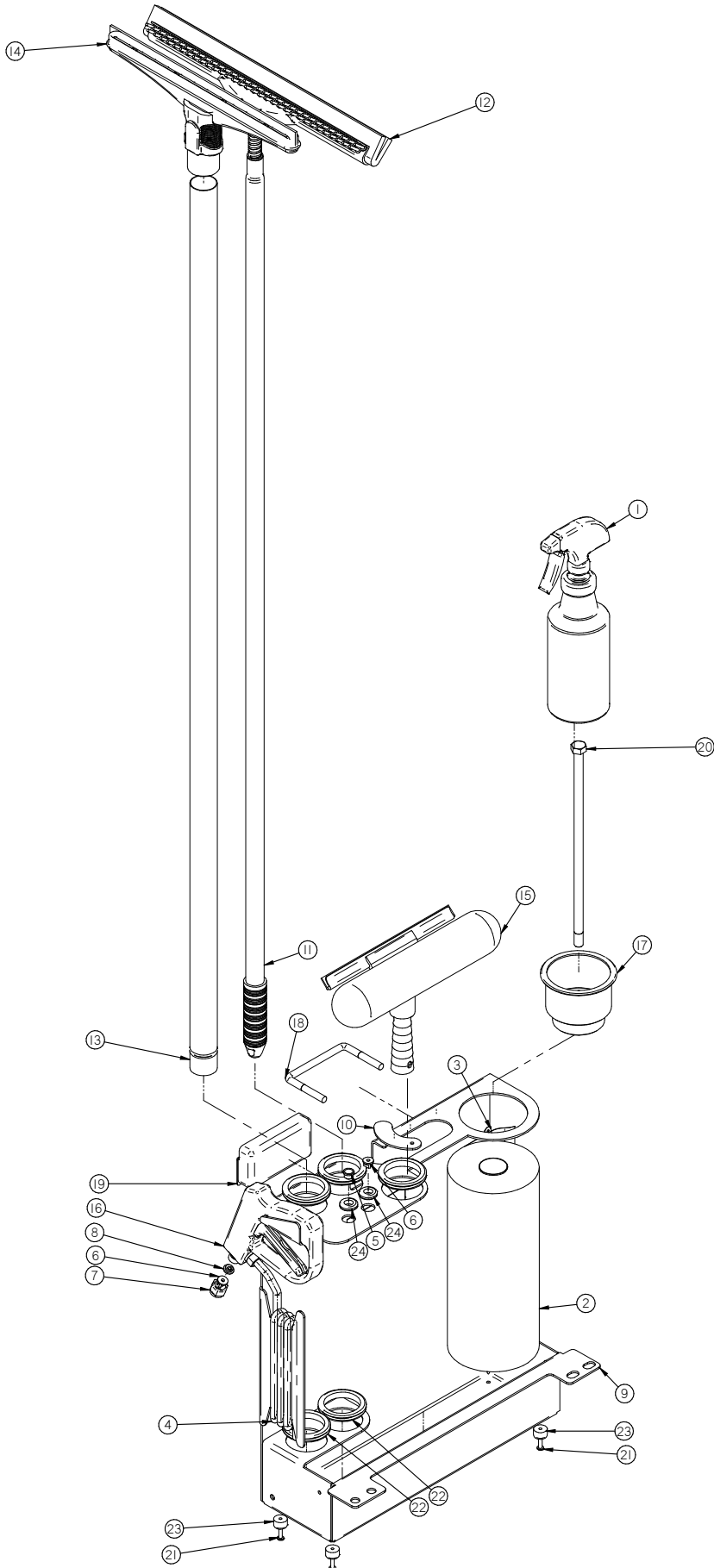


Item	Part No.	Part Description	Qty.	Item	Part No.	Part Description	Qty.
1*		HCS 5/16"- 18 X 1-1/4"	1	29	H-13327	HB 5/8"- 11 X 7"	2
2	150-1129	ROLLER BRACKET	2	30	H-25382	SETSCREW, KCP, 1/4"-20 X 1/2"	8
3*	150-5050	HOPPER BODY SS	1	31	H-37038	JNYL 5/8"- 11	2
4	150-9006	DECK LIFTING BRACKET	1	32	H-66802	O-RING, 3/16" X 5/16" X #8 BUNA	2
5	150-9590	SCRUBDECK LIFT ARM, CYLINDRICAL	1	33	H-70003	HCS 1/4"-20 X 3/4" SS	4
6	175-2700	NEG INSULATOR POST (BLACK)	2	34	H-70053	HCS 5/16"- 18 X 3/4" SS	2
7	175-8460	STANDOFF, .8125"	2	35*	H-70858	NYLOK #10-32 SS	2
8*	175-9070	CYLINDRICAL LIFTING BRACKET, LH, 25"	1	36	H-70861	NYLOK 5/16" - 18 SS	15
9*	175-9071	CYLINDRICAL LIFTING BRACKET, RH, 25"	1	37	H-70889	HOLE PLUG 7/8"	2
10	21-1127	ROLLER	4	38	H-70923	KN #10-32 SS	2
11	253-9003	QUICK DISCONNECT BRACKET	1	39	H-71013	FW 1/4 ID X 5/8 OD SS	2
12	253-9024	THUMB SCREW	2	40	H-71015	FW 5/16 ID X 3/4 OD SS	4
13	264-8215	TIMING SPROCKET 26 TOOTH	2	41	H-71016	FW 5/16 ID X 7/8 OD SS	2
14	264-8225	TIMING SPROCKET 56 TOOTH	2	42	H-71017	FW 3/8 ID X 7/8 OD SS	10
15*	264-8230	HI-PERFORMANCE PD PLUS BELT	2	43	H-71065	LW 5/16" SS	2
16	264-9002	MOTOR ADJ BRACKET	2	44	H-72554	PPH #10-32 X 1-1/2"	2
17	264-9029	CYLINDRICAL BRUSH-HEAD, 29"	1	45	H-72682	FHP #10-32 X 1/2" SS	8
18	300-4030	LEVEL	2	46*	H-73459	SHCS 1/4-20 X 1/2 SS	3
19*	370-1247	BUSHING 5/16 X 1/2 X 3/16	4	47	H-73777	BHSCS 5/16-18 X 1/2"	2
20	370-8240A	BEARING HOUSING/BEARING	2	48	H-74417	CB 1/4"- 20 X 5" SS	2
21	4-446	GROMMET-3/8 ID X 1-1/2 OD X .375	6	49	H-74429	CB 5/16"- 18 X 3/4" SS	10
22	600-8371	CYLINDRICAL DRIVER (HARDCOAT)	2	50	H-74430	CB 5/16"- 18 X 1" SS	6
23	650-8025	SQ. SOLUTION FEED TUBE (251	1	51	H-90895	WASHER, SERRATED BELLEVILLE, 3/8", S/S	8
24	650-9004	MOTOR SPACER	2	52	H-K14320	3/16" X 1 1/4" KEY	2
25	9-75	9-3/4" ADJUSTABLE LATERAL ARM	2	53	H-NJ04C	JNYL 1/4" - 20 SS	5
26	H-01125	3/16" X 1" KEY	2	54	M-92865A214	HCS 3/8"-24 X 7/8" SS	8
27	H-0171004	JNYL 3/8"-24 SS	2	55	M-9565K51	I.O X I.O SQ TUBE PLUG	2
28	H-0953152	3/16" X 3/4" KEY	2				

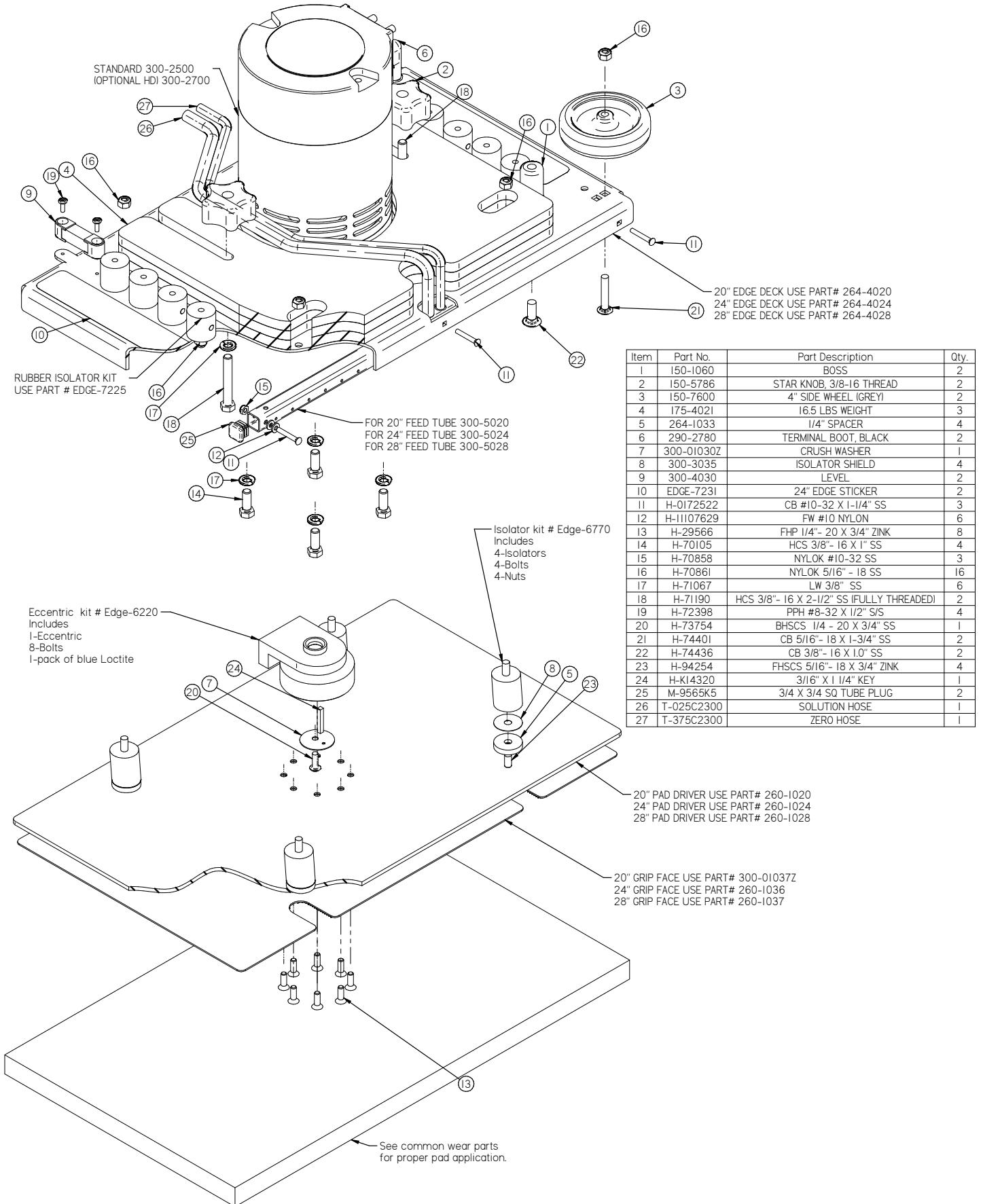


Item	Part No.	Part Description	Qty.
1	264-9015	WIPER BAND	1
2	370-8241A	IDLER DRIVE BEARING	1
3	370-8373	CYLINDRICAL DRIVER SEAL	1
4	5-100	GROMMET	1
5	5-130	DOOR LATCH	1
6	600-8371	CYLINDRICAL DRIVER (HARDCOAT)	1
7	650-6022	DRIVE COVER (SSI)	1
8	H-0171004	JNYL 3/8- 24 SS	1
9	H-0953152	3/16" X 3/4" KEY	1
10	H-71017	FW 3/8 ID X 7/8 OD SS	1
11	H-72682	FHP #10-32 X 1/2" SS	4
12	H-74419	CB 1/4"- 20 X.75" SS	3
13	H-NJ04C	JNYL 1/4" - 20 SS	3

Clean Caddy

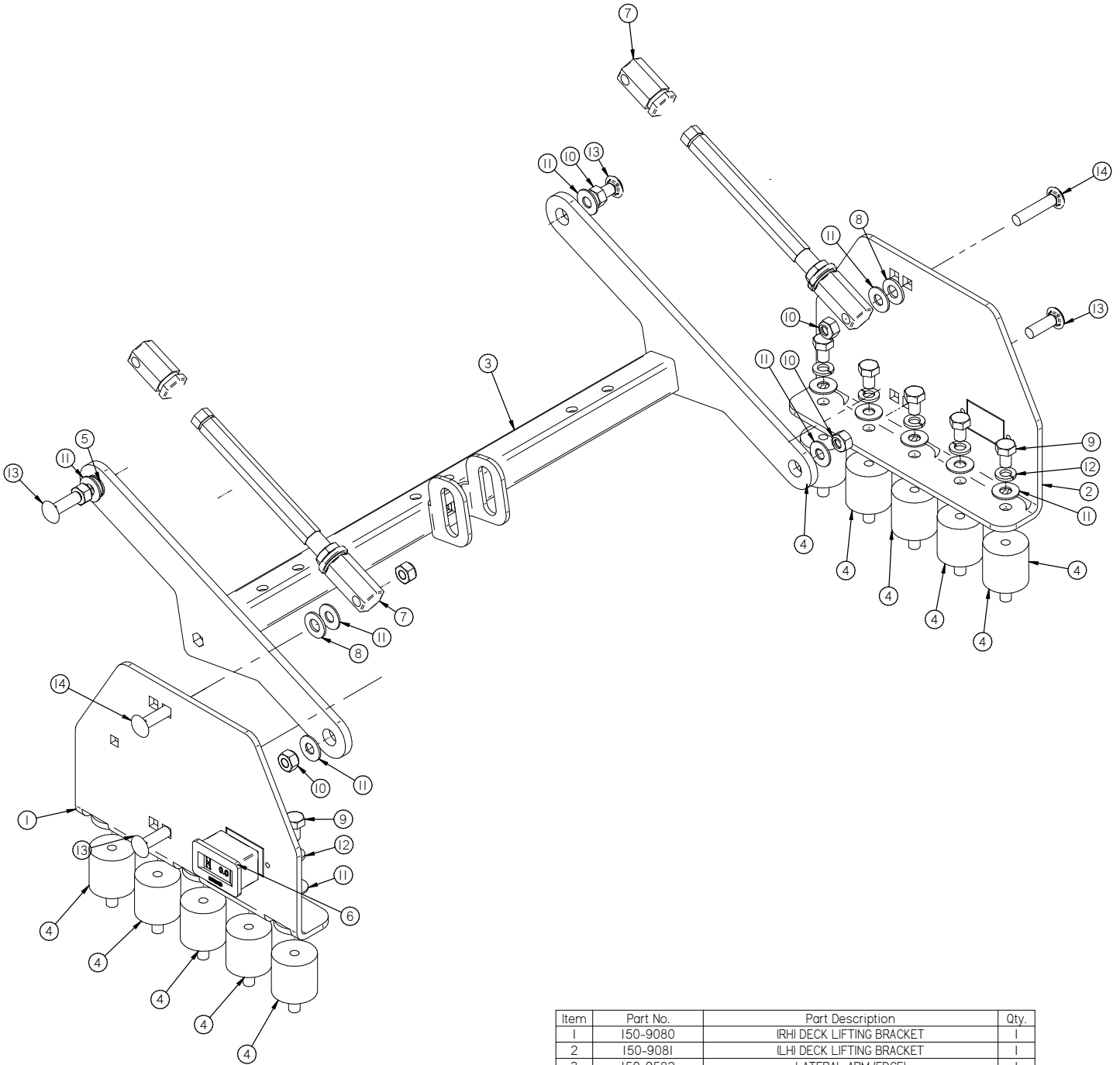


Item	Part No.	Part Description	Qty.
1		ROUND SOAP BOTTLE	1
2		PAPER TOWEL	1
3		BLADE	1
4		SPRAY HOSE	1
5		stream spray tip	1
6		40 deg spray tip	2
7		spray tip nut	1
8		spray tip seal	1
9	150-8810	CLEAN CADDIE	1
10	150-8814	HOSE LATCH	1
11	150-8850	SCRUB BRUSH STICK	1
12	150-8860		1
13	150-8870	TUBE, WAND, STRAIGHT, 59"	1
14	150-8890		1
15	150-8895		1
16	150-8950	SPRAY GUN	1
17	370-0014	CUP HOLDER	1
18	5-834	HOPPER HANDLE	1
19	5-849	RECESSED HANDLE	1
20	H-15237	HCS 1/2"-13 X 13" GRADE 8	1
21	H-72534	PPH #10-32 X 3/4" 5/S	4
22	H-9307K74	GROMMET, 2" ID X 2-5/8" OD	5
23	H-9540	RUBBER BUMPER, 25/32"	4
24	M-9307K22	GROMMET, RUBBER 3/8 ID X 7/8 OD X 5/16 TH.	2

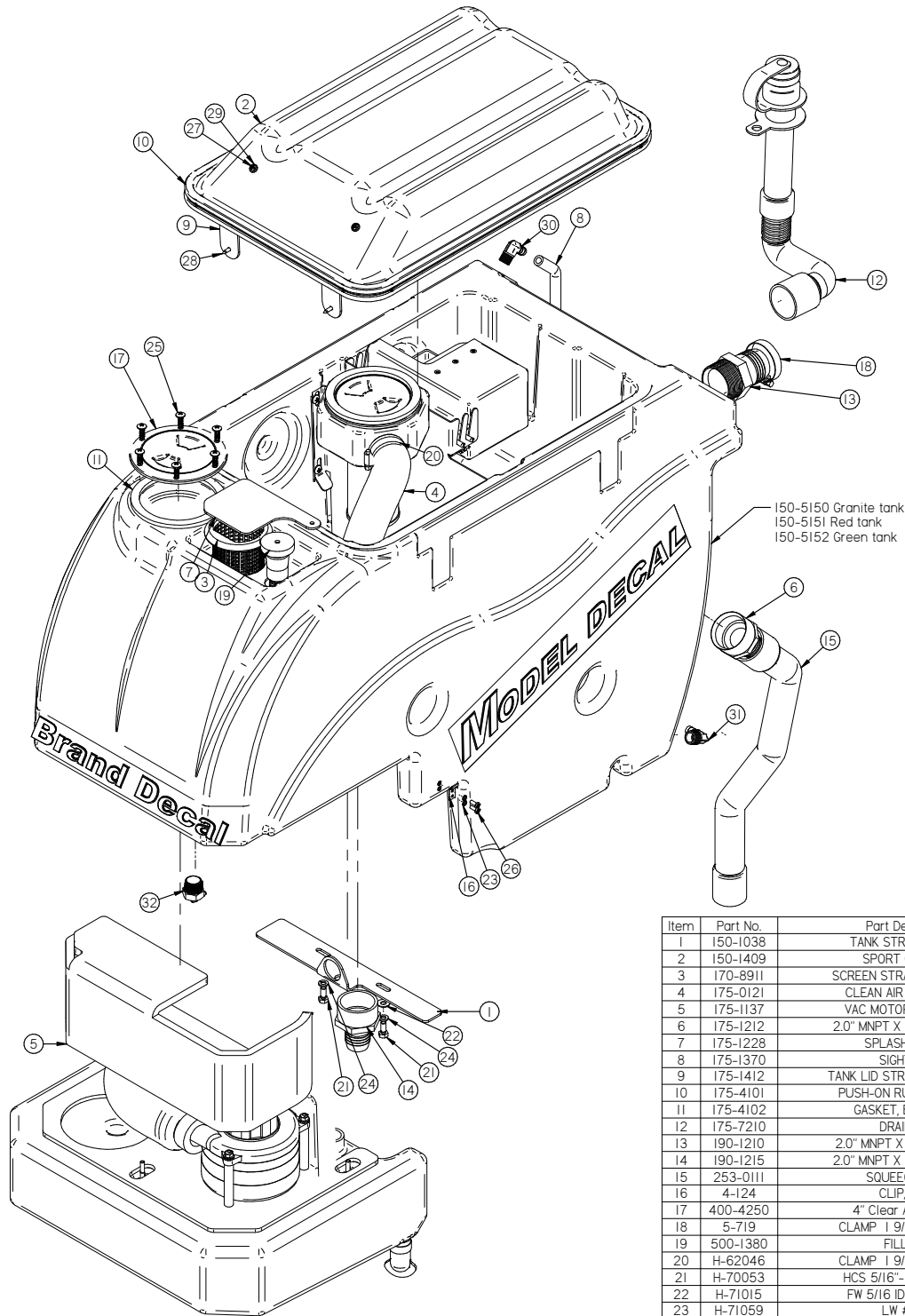


Item	Part No.	Part Description	Qty.
1	150-1060	BOSS	2
2	150-5786	STAR KNOB, 3/8-16 THREAD	2
3	150-7600	4" SIDE WHEEL (GREY)	2
4	175-4021	16.5 LBS WEIGHT	3
5	264-1033	1/4" SPACER	4
6	290-2780	TERMINAL BOOT, BLACK	2
7	300-01030Z	CRUSH WASHER	1
8	300-3035	ISOLATOR SHIELD	4
9	300-4030	LEVEL	2
10	EDGE-7231	24" EDGE STICKER	2
11	H-0172522	CB #10-32 X 1-1/4" SS	3
12	H-11107629	FW #10 NYLON	6
13	H-29566	FHP 1/4"- 20 X 3/4" ZINK	8
14	H-70105	HCS 3/8"- 16 X 1" SS	4
15	H-70858	NYLOK #10-32 SS	3
16	H-70861	NYLOK 5/16"- 18 SS	16
17	H-71067	LW 3/8" SS	6
18	H-71190	HCS 3/8"- 16 X 2-1/2" SS (FULLY THREADED)	2
19	H-72398	PPH #8-32 X 1/2" S/S	4
20	H-73754	BHSCS 1/4" - 20 X 3/4" SS	1
21	H-74401	CB 5/16"- 18 X 1-3/4" SS	2
22	H-74436	CB 3/8"- 16 X 1.0" SS	2
23	H-94254	FHSCS 5/16"- 18 X 3/4" ZINK	4
24	H-K14320	3/16" X 1 1/4" KEY	1
25	M-9565K5	3/4 X 3/4 SQ TUBE PLUG	2
26	T-025C2300	SOLUTION HOSE	1
27	T-375C2300	ZERO HOSE	1

ORBITAL Lifting Bracket



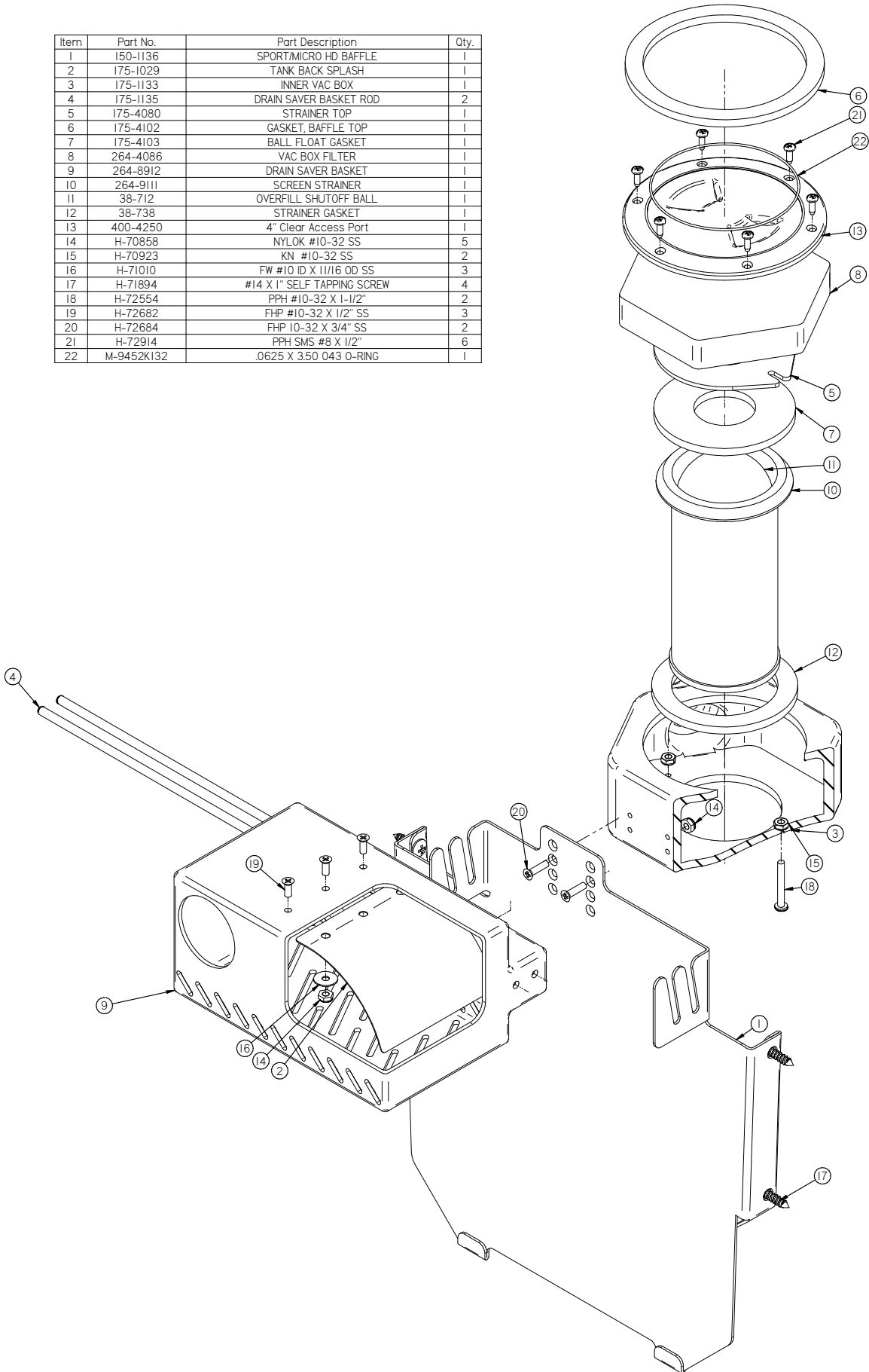
Item	Part No.	Part Description	Qty.
1	150-9080	IRHI DECK LIFTING BRACKET	1
2	150-9081	ILHI DECK LIFTING BRACKET	1
3	150-9582	LATERAL ARM (EDGE)	1
4	300-01032Z	RUBBER ISOLATOR	10
5	370-1247	BUSHING 5/16 X 1/2 X 3/16	4
6	8-262	HOUR METER	1
7	9-25	9.25" ADJUSTABLE LATERAL ARM	2
8	H-4440024	FW 3/8" X 3/4" NYLON	2
9	H-70051	HCS 5/16"- 18 X 1/2"	10
10	H-70861	NYLOK 5/16" - 18 SS	6
11	H-71015	FW 5/16 ID X 3/4 OD SS	16
12	H-71065	LW 5/16" SS	10
13	H-74430	CB 5/16"- 18 X 1" SS	4
14	H-74432	CB 5/16"- 18 X 1-1/2" SS	2



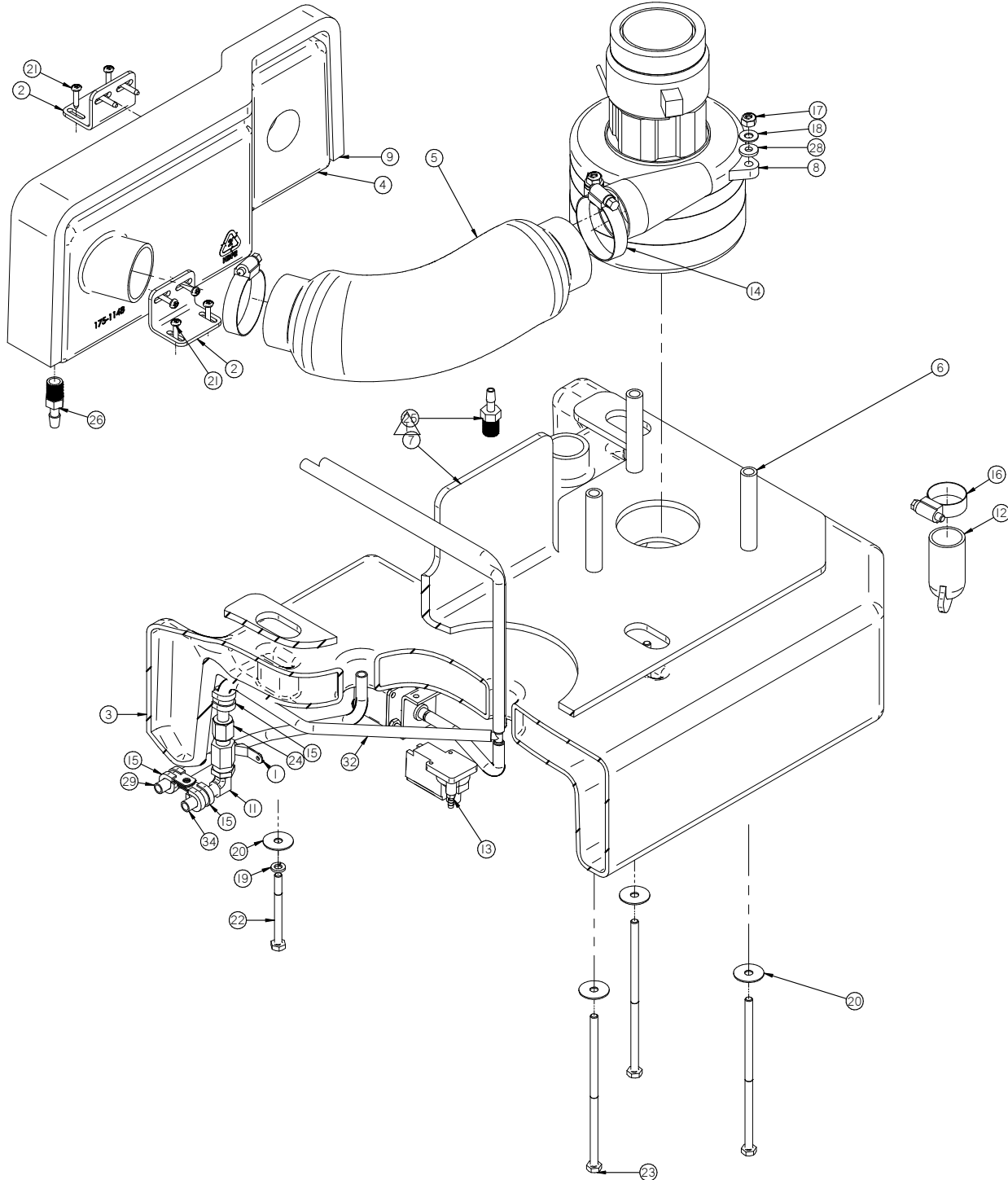
Item	Part No.	Part Description	Qty.
1	150-1038	TANK STRAP BRACKET	1
2	150-1409	SPORT CLEAR LID	1
3	170-8911	SCREEN STRAINER, 4-1/4" LG	1
4	175-0121	CLEAN AIR INTAKE HOSE	1
5	175-1137	VAC MOTOR INSULATION	1
6	175-1212	2.0" MNPT X 1.50" BARB, PVC	1
7	175-1228	SPLASH CURTAIN	1
8	175-1370	SIGHT TUBE	1
9	175-1412	TANK LID STRAP W/GROMMETS	2
10	175-4101	PUSH-ON RUBBER GASKET	1
11	175-4102	GASKET, BAFFLE TOP	1
12	175-7210	DRAIN HOSE	1
13	190-1210	2.0" MNPT X 2.0" BARB, PVC	1
14	190-1215	2.0" MNPT X 1.50" BARB, PVC	1
15	253-0111	SQUEEGEE HOSE	1
16	4-124	CLIP, LATCH	1
17	400-4250	4" Clear Access Port	1
18	5-719	CLAMP 1 9/16 - 2 1/2" SS	1
19	500-1380	FILL HOSE	1
20	H-62046	CLAMP 1 9/16 - 2 1/2" SS	1
21	H-70053	HCS 5/16"-18 X 3/4" SS	2
22	H-71015	FW 5/16 ID X 3/4 OD SS	1
23	H-71059	LW #10, SS	2
24	H-71065	LW 5/16" SS	2
25	H-71894	#14 X 1" SELF TAPPING SCREW SS	6
26	H-72515	PPH #10-32 X 1/2" S/S	2
27	H-72534	PPH #10-32 X 3/4" S/S	2
28	H-72916	PPH SMS #8 X 3/4" SS	2
29	H-90133	.17 ID X .5 OD X .093 NEOPRENE WASHER	2
30	M-53525K21	ELBOW, 3/8" MNPT X 1/2" BARB, BRASS	1
31	M-53525K58	ELBOW, 1/2" MNPT X 1/2" BARB, BRASS	1
32	M-5463K496	.75 NPT X .25 BARBED X 90 DEG.par	1

Standard XL Tank - Drain Saver, Vac Box, Baffle Assembly

Item	Part No.	Part Description	Qty.
1	150-1136	SPORT/MICRO HD BAFFLE	1
2	175-1029	TANK BACK SPLASH	1
3	175-1133	INNER VAC BOX	1
4	175-1135	DRAIN SAVER BASKET ROD	2
5	175-4080	STRAINER TOP	1
6	175-4102	GASKET, BAFFLE TOP	1
7	175-4103	BALL FLOAT GASKET	1
8	264-4086	VAC BOX FILTER	1
9	264-8912	DRAIN SAVER BASKET	1
10	264-9111	SCREEN STRAINER	1
11	38-712	OVERFILL SHUTOFF BALL	1
12	38-738	STRAINER GASKET	1
13	400-4250	4" Clear Access Port	1
14	H-70858	NYLOK #10-32 SS	5
15	H-70923	KN #10-32 SS	2
16	H-71010	FW #10 ID X 11/16 OD SS	3
17	H-71894	#14 X 1" SELF TAPPING SCREW	4
18	H-72554	PPH #10-32 X 1-1/2"	2
19	H-72682	FHP #10-32 X 1/2" SS	3
20	H-72684	FHP 10-32 X 3/4" SS	2
21	H-72914	PPH SMS #8 X 1/2"	6
22	M-9452K132	.0625 X 3.50 O43 O-RING	1



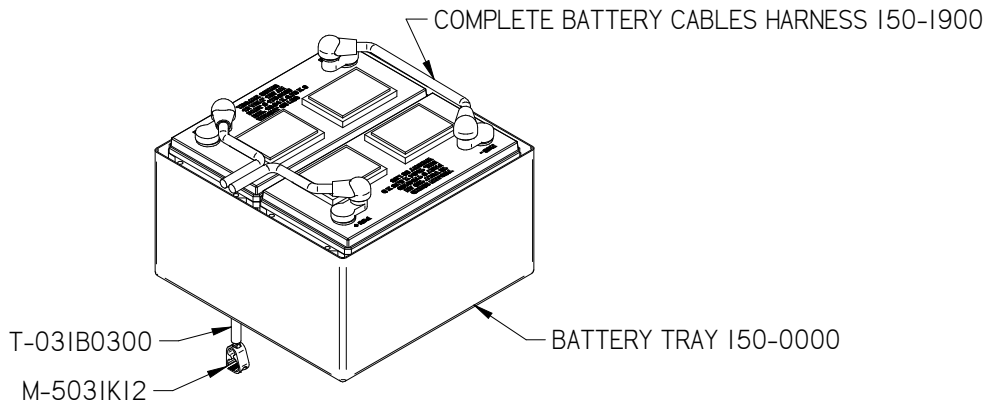
Standard XL Tank - Vacuum Bandeau Assembly



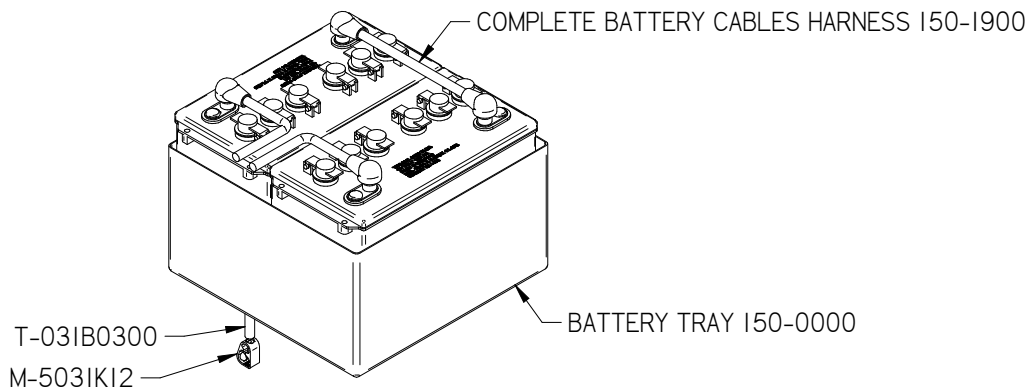
Item	Part No.	Part Description	Qty.	Item	Part No.	Part Description	Qty.
1	170-4158	1/4" NPT VALVE	1	18	H-71013	FW 1/4 ID X 5/8 OD SS	3
2	175-1129	VAC MUFFLER BRACKET	2	19	H-71063	LW 1/4" SS	3
3	175-1146	MINI-HD CARBON BANDEAU VAC BOX	1	20	H-71212	FNW 1/4 ID X 1.0 OD SS	6
4	175-1148	VAC MUFFLER WALL	1	21	H-72916	PPH SMS #8 X 3/4" SS	8
5	175-2502	MINI-HD CARBON MUFFLER	1	22	H-77014	HCS 1/4"- 20 X 2.75" SS	3
6	175-2600	SPACER, 3.0" LG	3	23	H-77025	HCS 1/4"- 20 X 6.0" SS	3
7	175-3000	1/6" I7GA VAC MOTOR GASKET	1	24	M-5346K51	25 NPTF X .125 BRASS BARBED HOSE FITTING	1
8	175-5250	VAC MOTOR, 3/4 HP, TANGENTIAL	1	25	M-5463K439	.25 NPT X .125 BARB	1
9	175-7421	TANK GASKET	1	26	M-5463K445	.25 NPT X .25 BARB	1
10*	253-8500	SOAP PUMP, 24V	1	27*	M-5463K606	1/4" X 1/4" PLASTIC BARBED TEE	1
11	290-4149	1/4" NPT X 1/4" BARB X 90 DEG	1	28	M-90130A029	.25" NEOPRENE WASHER	3
12	390-1505	LOADER VALVE	1	29	T-025B6000	BULK 1/4" ID X 5' BLUE VAC DRAIN HOSE	1
13	390-2328	SWITCH, VACUUM SHUTOFF	1	30*	T-025C6000	BULK 1/4" ID X 5' CLEAR SUDS HOSE	1
14	5-719	CLAMP, 1 9/16 - 2 1/2" SS	2	31*	T-025C6000	BULK 1/4" ID X 5' CLEAR SUDS HOSE	1
15	H-0127290	1/2" LOOP CLAMP	3	32	T-025C6000	BULK 1/4" ID X 5' CLEAR SUDS HOSE	1
16	H-62005	CLAMP 5/8"- 1-1/2" SS	1	33*	T-025C6000	BULK 1/4" ID X 5' CLEAR SUDS HOSE	1
17	H-70860	NYLOK 1/4"- 20 SS	3	34	T-025G6000	BULK 1/4" ID X 5' GREEN SUDS DRAIN HOSE	1

Batteries & Chargers

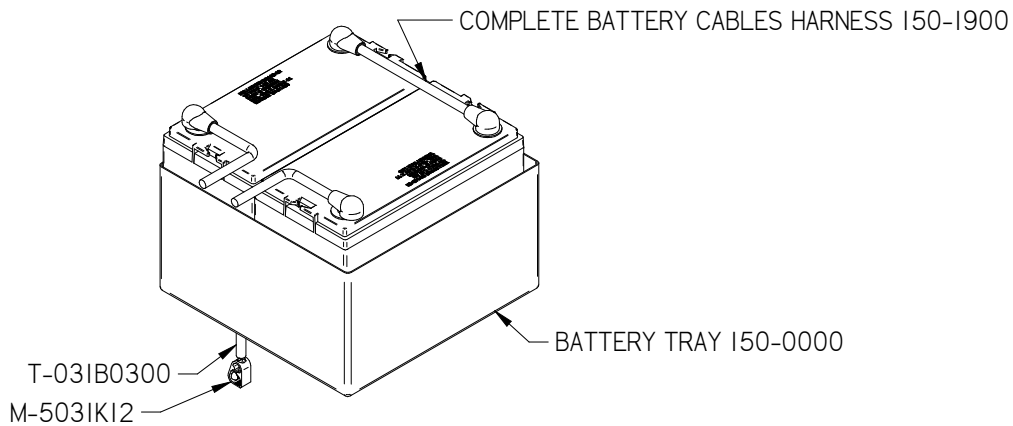
130 AH WET TROJANS 170-2109



150 AH WET TROJAN 200-2110

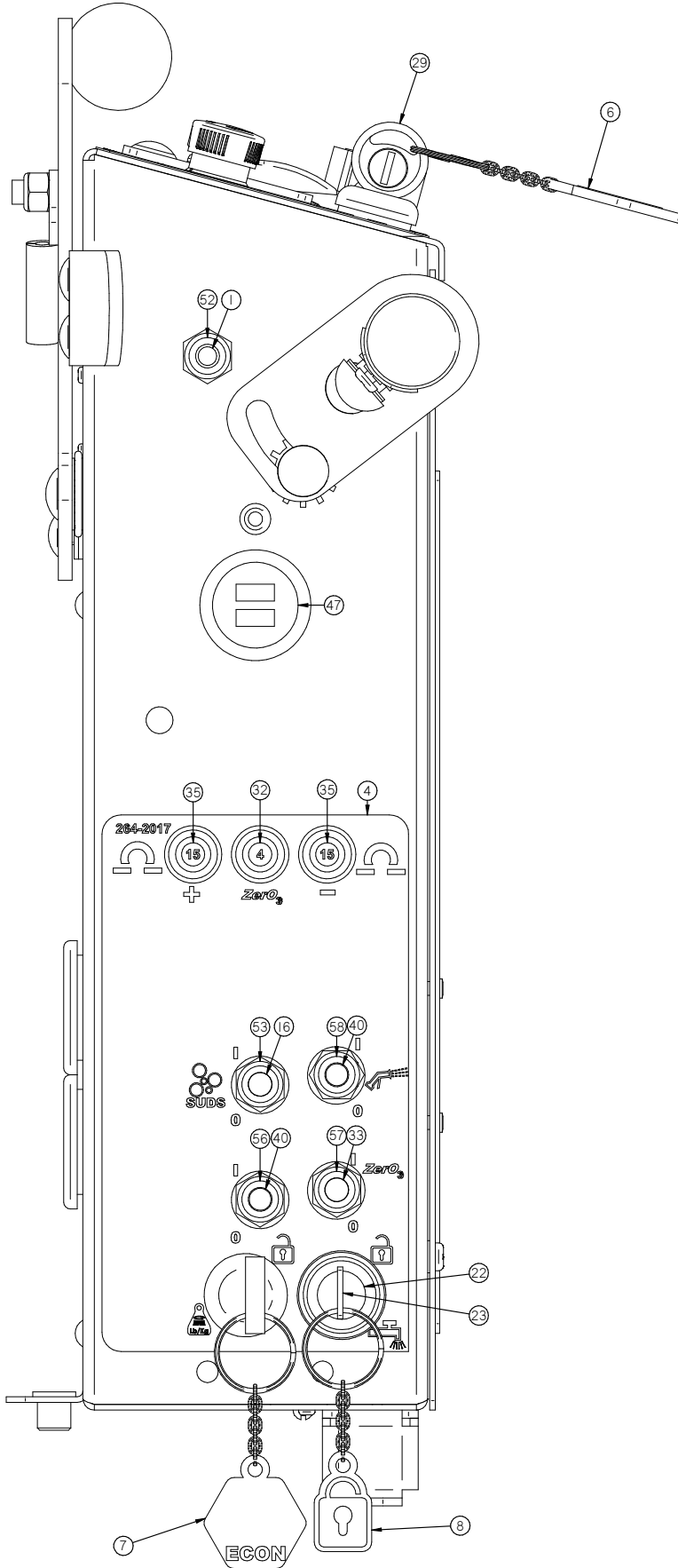


140 AH AGM FULLRIVER 170-2121

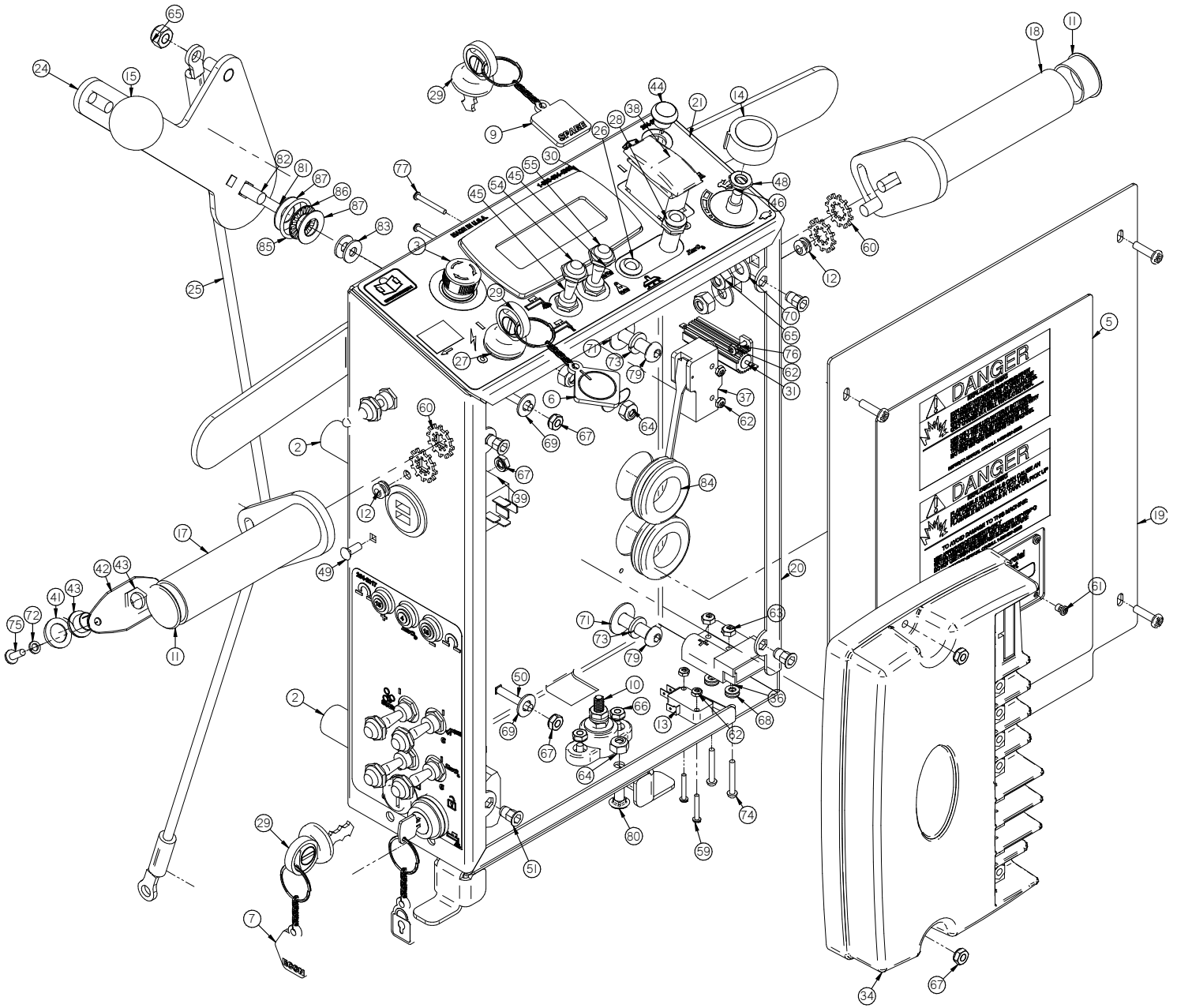


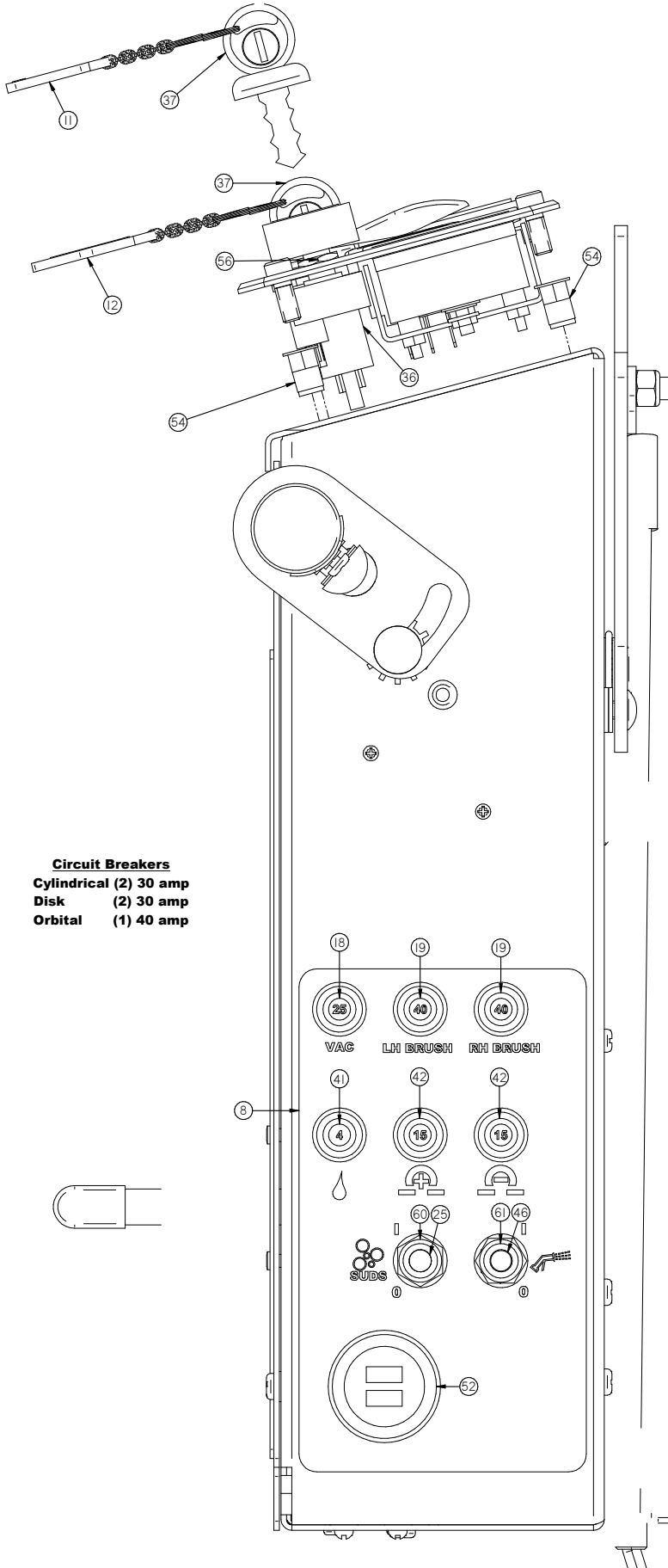
WHICH BATTERY CHARGER TO USE WITH BATTERY SELECTION

Battery Part Number & Description	Console Charger / North America	Onboard Charger / North America / International
170-2109 (12V / 130AH - WET)	170-2440	175-2460
200-2110 (12V / 150AH - WET)	170-2440	175-2460
170-2121 (12V / 140AH - AGM)	N/A	175-2460

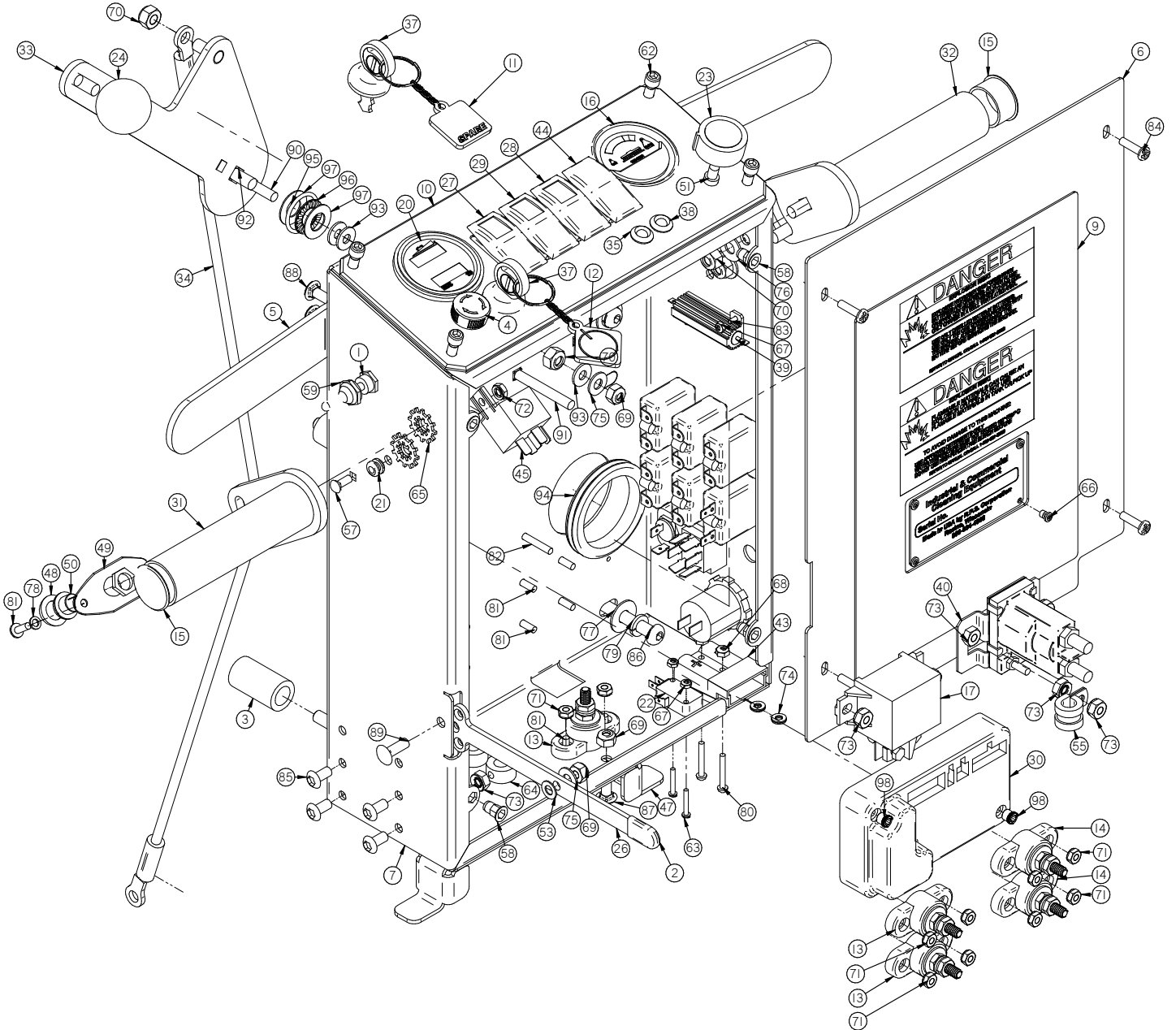


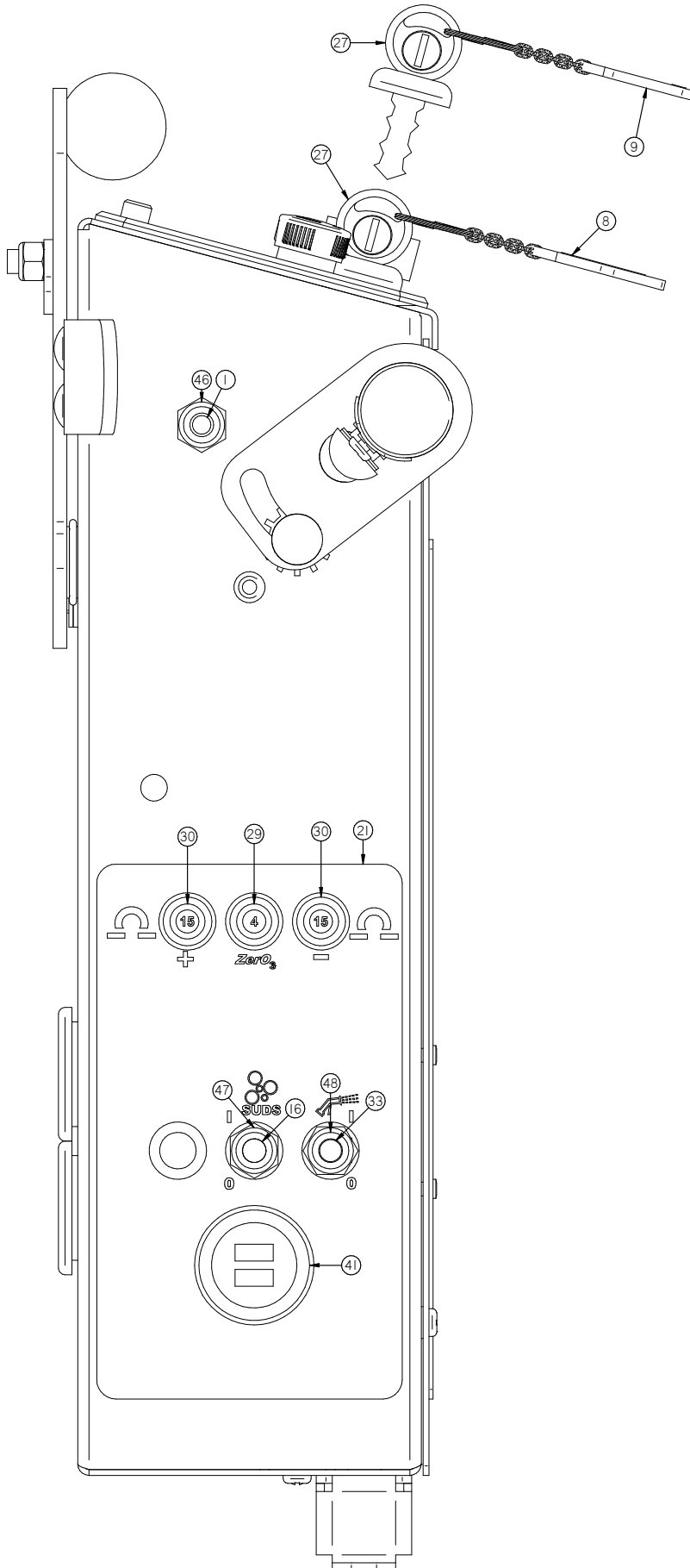
Item	Part No.	Part Description	Qty.
1	150-2830	SWITCH, TOGGLE, MOM/OFF/MOM (DPDT)	1
2	170-2700	SPACER, 1-1/2" LG	4
3	175-0300	Emergency stop switch, 51 series, IC/O	1
4	175-2020	SIDE PANEL STICKER	1
5	175-2020	WARNING STICKER	1
6	175-2352	POWER KEY FOB	1
7	175-2352	ECON KEY FOB	1
8	175-2352	MANAGER LOCK OUT KEY FOB	1
9	175-2352	SPARE KEY FOB	1
10	175-2700	NEG INSULATOR POST (BLACK)	1
11	190-1390	END CAP	2
12	21-2203	GROMMET, RUBBER 3/16 ID X 13/32 OD X 3/32 TH.	2
13	21-2230	MICRO SWITCH	1
14	21-4520	SPEED CONTROL KNOB, RED	1
15	21-7101	LIFT KNOB	1
16	253-283	SWITCH, TOGGLE, ON/OFF/ON (DPDT)	1
17	264-1290	ADJUSTABLE HANDLE BAR, LEFT	1
18	264-1291	ADJUSTABLE HANDLE BAR, RIGHT	1
19	264-2001	CONTROL PANEL COVER	1
20	264-2012	CONTROL PANEL BOX, TRACTION	1
21	264-2016	TOP PANEL STICKER	1
22	264-234	LOCKOUT KEY SWITCH	1
23	264-234A	MANGER LOCK OUT KEY	1
24	264-7100	SQUEEGEE LIFT LEVER	1
25	264-7890	SQUEEGEE LIFT CABLE	1
26	290-2330	RED LIGHT	1
27	290-234	KEY SWITCH (WITH KEY)	2
28	290-2340	GREEN LIGHT	1
29	290-234A	KEY SET (REPLACE)	3
30	290-2891	LCD SCREEN	1
31	290-9581	RESISTER	1
32	349-9604	FUSE, RESETTABLE, 4 AMP, 50V DC MAX	1
33	370-8210	SWITCH, TOGGLE, ON/ON (DPDT)	1
34	390-2899	CONTROLLER V4	1
35	390-9615	FUSE, RESETTABLE, 15 AMP, 50V DC MAX	2
36	4-259	CONNECTOR, RED 50, HOUSING ONLY	1
37	5-223	LIMIT SWITCH	1
38	5-234	SWITCH, ROCKER, DPDT, ON/ON	1
39	5-293	15 AMP RELAY	1
40	5-892	TOGGLE, ON-OFF SPST	2
41	7-227	BUTTON COVER	2
42	7-228	SWITCH MOUNT PLATE	4
43	7-229	PUSH BUTTON SWITCH	4
44	7-229D	PUSH BUTTON SWITCH	1
45	7-283	SWITCH, TOGGLE, MOM/OFF/MOM (DPDT)	2
46	7-292	5K POTENTIOMETER	1
47	700-2590	DUAL USB PORTS	1
48	H-0147994	3/8-32 X 1/2 PANEL NUT	1
49	H-0172518	CB #10-32 X 1/2" SS	1
50	H-0172522	CB #10-32 X 1-1/4" SS	2
51	H-1032HCN	HCN #10-32	4
52	H-11196	PROTECTIVE BOOT, TOGGLE SWITCH, (RED)	1
53	H-11198	PROTECTIVE BOOT, TOGGLE SWITCH, (GREEN)	1
54	H-11199	PROTECTIVE BOOT, TOGGLE SWITCH, (BLUE)	1
55	H-11200	PROTECTIVE BOOT, TOGGLE SWITCH, (BLACK)	1
56	H-11202	PROTECTIVE BOOT, TOGGLE SWITCH, (ORANGE)	1
57	H-11203	PROTECTIVE BOOT, TOGGLE SWITCH, (PURPLE)	1
58	H-11205	PROTECTIVE BOOT, TOGGLE SWITCH, (LIGHT BLUE)	1
59	H-28667	PHP MS 4-40 X 3/4"	2
60	H-33761	5/16" INT/EXT STAR WASHER	4
61	H-41007	AB4-3A BLIND RIVET	4
62	H-70854	NYLOK #4-40 SS	6
63	H-70855	NYLOK #6-32 SS	2
64	H-70860	NYLOK 1/4"- 20 SS	7
65	H-70861	NYLOK 5/16" - 18 SS	6
66	H-70922	KN #8-32	2
67	H-70923	KN #10-32 SS	5
68	H-71007	FW #8 SS	4
69	H-71013	FW 1/4 ID X 5/8 OD SS	3
70	H-71015	FW 5/16 ID X 3/4 OD SS	4
71	H-71016	FW 5/16 ID X 7/8 OD SS	4
72	H-71059	LW #10, SS	8
73	H-71065	LW 5/16" SS	4
74	H-72390	PPH #6-32 X 1" MS S/S	2
75	H-72398	PPH #8-32 X 1/2" S/S	10
76	H-72486	PPH #4-40 X 1/2" S/S	2
77	H-72494	PPH #4-40 X 1" S/S	2
78	H-72534	PPH #10-32 X 3/4" S/S	4
79	H-73784	BHSCS 5/16-18 X 2.0	4
80	H-74417	CB 1/4"- 20 X .5" SS	2
81	H-74420	CB 1/4"- 20 X 1.0" SS	1
82	H-74429	CB 5/16"- 18 X 3/4" SS	5
83	H-76061	FW 1/4" NYLON	3
84	H-9307K74	GROMMET, 1" ID X 1-3/4" OD BUNA-N	2
85	M-4464T178	NEEDLE ROLLER THRUST BEARING ORING	1
86	M-5909K31	NEEDLE ROLLER THRUST BEARING	1
87	M-5909K44	NEEDLE ROLLER THRUST BEARING WASHER	2



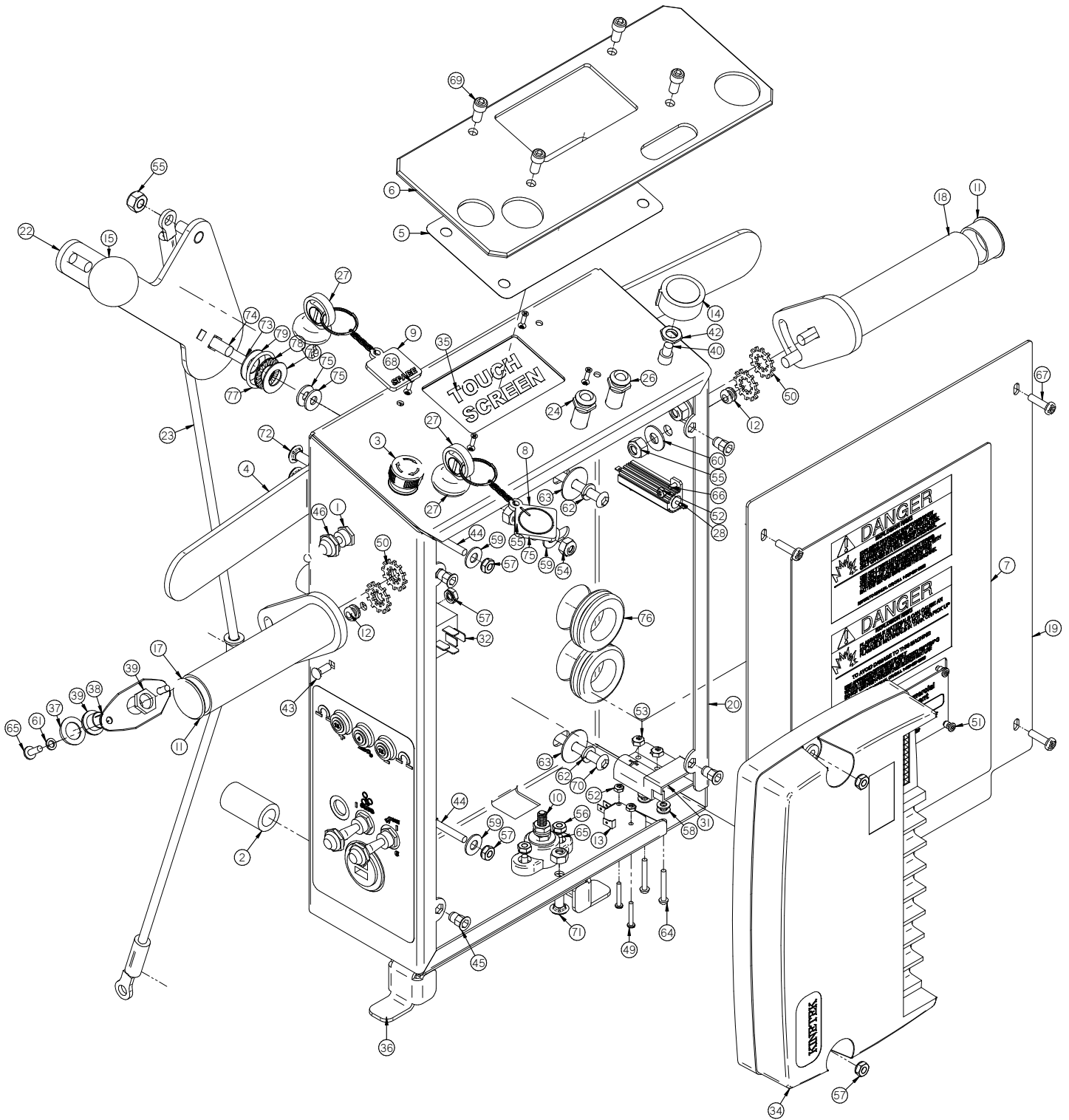


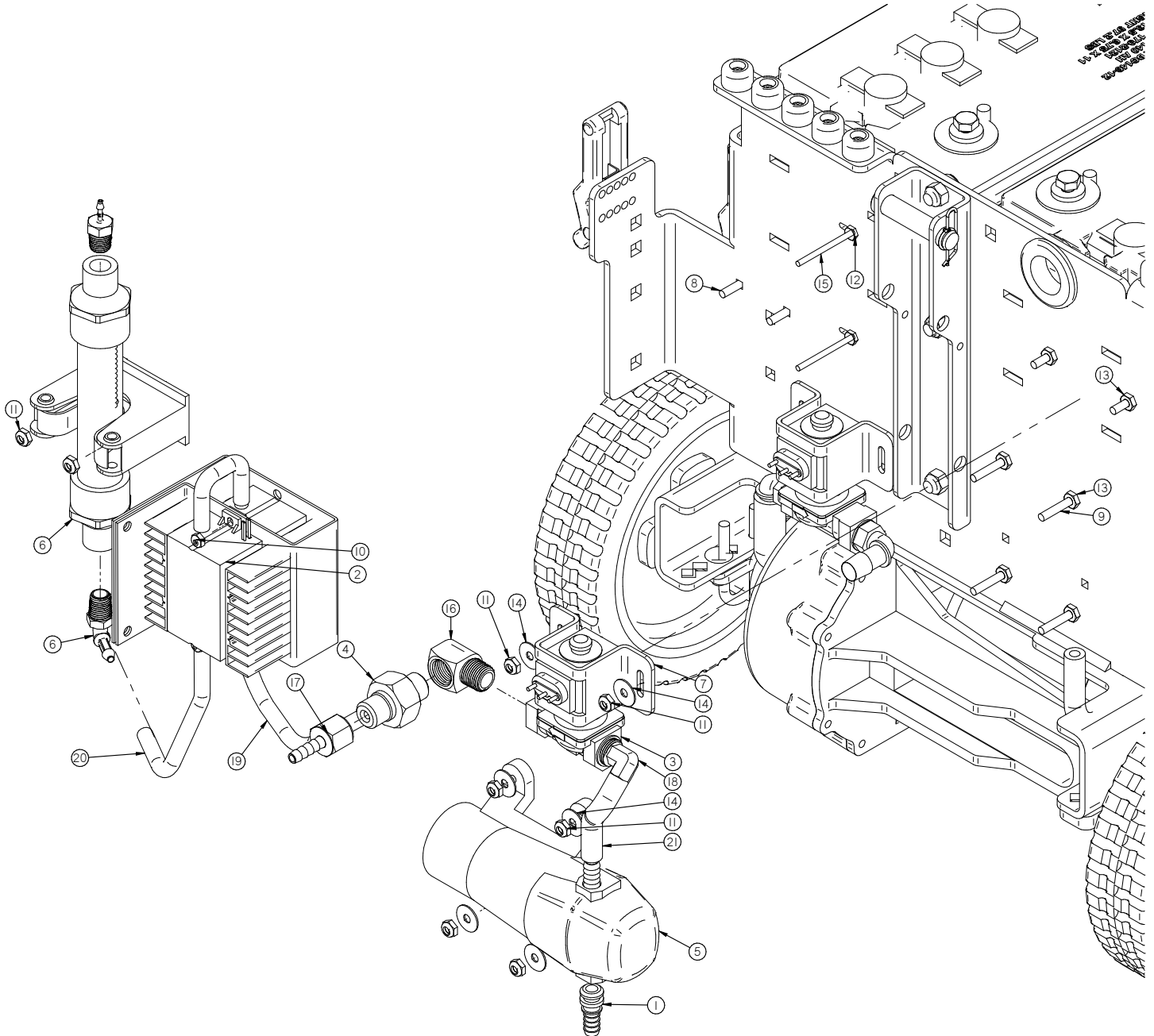
Item	Part No.	Part Description	Qty.
1	150-2830	SWITCH, TOGGLE, MOM/OFF/MOM (DPDT)	1
2	150-4480	HANDLE GRIP (BLUE)	1
3	170-2700	SPACER, 1-1/2" LG	4
4	175-0300	Emergency stop switch, 51 series, IC/O	1
5	175-1292	HAND GUARD	2
6	175-2001	CONTROL PANEL COVER	1
7	175-2011	RENTAL CONTROL BOX	1
8	175-2021	SIDE STICKER	1
9	175-2021	WARNING STICKER	1
10	175-2022	RED ANODIZED TOP PLATE	1
11	175-2352	SPARE KEY FOB	1
12	175-2352	POWER KEY FOB	1
13	175-2700	NEG INSULATOR POST (BLACK)	3
14	175-2710	POS INSULATOR POST (RED)	2
15	190-1390	END CAP	2
16	190-4852	BRUSH PRESSURE GAUGE, 40 AMP	1
17	190-8283	RELAY, 24V, 50 AMP	1
18	190-8370	FUSE, RESETTABLE, 25 AMP	1
19	190-9609	FUSE, RESETTABLE, 40 AMP	2
20	200-4855	36V BATTERY AND HOUR METER	1
21	21-2203	GROMMET, RUBBER 3/16 ID X 13/32 OD X 3/32 TH.	2
22	21-2230	MICRO SWITCH	1
23	21-4520	SPEED CONTROL KNOB, RED	1
24	21-7101	LIFT KNOB	1
25	253-283	SWITCH, TOGGLE, ON/OFF/ON (DPDT)	1
26	260-2005	VALVE LEVER	1
27	260-2350A	SWITCH, ROCKER, DPDT, ON/ON AMBER	1
28	260-2351A	SWITCH, ROCKER, DPDT, ON/ON GREEN	1
29	260-2352A	SWITCH, ROCKER, DPDT, ON/ON BLUE	1
30	260-2898	IDRIVE 24V/36V, 70 AMP CONTROLLER	1
31	264-1290	ADJUSTABLE HANDLE BAR, LEFT	1
32	264-1291	ADJUSTABLE HANDLE BAR, RIGHT	1
33	264-7100	SQUEEGEE LIFT LEVER	1
34	264-7890	SQUEEGEE LIFT CABLE	1
35	290-2330	RED LIGHT	1
36	290-234	KEY SWITCH (WITH KEY)	1
37	290-234A	KEY SET (REPLACE)	2
38	290-2350	YELLOW LIGHT	1
39	290-9581	RESISTOR	1
40	349-2331	RELAY, 24V, SMALL W/FLAT MTG PLATE	1
41	349-9604	FUSE, RESETTABLE, 4 AMP, 50V DC MAX	1
42	390-9615	FUSE, RESETTABLE, 15 AMP, 50V DC MAX	2
43	4-259	CONNECTOR, RED 50, HOUSING ONLY	1
44	5-234	SWITCH, ROCKER, DPDT, ON/ON	1
45	5-293	15 AMP RELAY	1
46	5-892	TOGGLE, ON-OFF 'SPST	1
47	660-4042	CORD WRAP	1
48	7-227	BUTTON COVER	2
49	7-228	SWITCH MOUNT PLATE	4
50	7-229	PUSH BUTTON SWITCH	4
51	7-292	5K POTENTIOMETER	1
52	700-2590	DUAL USB PORTS	1
53	H-00282	FW 1/4" NYLON	1
54	H-00918	HCN 1/4"-20 LG	4
55	H-0127290	1/2" LOOP CLAMP	1
56	H-0147994	3/8-32 X 1/2" PANEL NUT	1
57	H-0172518	CB #10-32 X 1/2" SS	1
58	H-1032HCN	HCN #10-32	4
59	H-11196	PROTECTIVE BOOT, TOGGLE SWITCH, (RED)	1
60	H-11198	PROTECTIVE BOOT, TOGGLE SWITCH, (GREEN)	1
61	H-11205	PROTECTIVE BOOT, TOGGLE SWITCH, (LIGHT BLUE)	1
62	H-1123202	SHCS 1/4"-20 X 5/8" BLACK OXIDE	4
63	H-28667	PHP MS 4-40 X 3/4"	2
64	H-33372	SHAFT COLLAR, 3/8" ID	4
65	H-33761	5/16" INT/EXT STAR WASHER	4
66	H-41007	AB4-3A BLIND RIVET	4
67	H-70854	NYLON #4-40 SS	4
68	H-70855	NYLON #6-32 SS	2
69	H-70860	NYLON 1/4"- 20 SS	8
70	H-70861	NYLON 5/16" - 18 SS	6
71	H-70922	KN #8-32	10
72	H-70923	KN #10-32 SS	1
73	H-70925	KN 1/4-20 S/S	10
74	H-71007	FW #8 SS	4
75	H-71013	FW 1/4 ID X 5/8 OD SS	2
76	H-71015	FW 5/16 ID X 3/4 OD SS	4
77	H-71016	FW 5/16 ID X 7/8 OD SS	4
78	H-71059	LW #10, SS	8
79	H-71065	LW 5/16" SS	4
80	H-72390	PPH #6-32 X 1" MS S/S	2
81	H-72398	PPH #8-32 X 1/2" S/S	18
82	H-72418	PPH #8-32 X 1" S/S	2
83	H-72486	PPH #4-40 X 1/2" S/S	2
84	H-72534	PPH #10-32 X 3/4" S/S	4
85	H-73752	BHSCS 1/4 - 20 X 1/2" SS	4
86	H-73784	BHSCS 5/16-18 X 2.0	4
87	H-74417	CB 1/4"- 20 X 5" SS	2
88	H-74418	CB 1/4"- 20 X 5/8" S/S	4
89	H-74419	CB 1/4"- 20 X .75" SS	4
90	H-74420	CB 1/4"- 20 X 1.0" SS	1
91	H-74423	CB 1/4"- 20 X 2.0" SS	1
92	H-74429	CB 5/16"- 18 X 3/4" SS	5
93	H-76061	FW 1/4" NYLON	3
94	H-9307K99	GROMMET, 2" ID X 2-5/8" OD	1
95	M-4464T178	NEEDLE ROLLER THRUST BEARING ORING	1
96	M-5909K31	NEEDLE ROLLER THRUST BEARING	1
97	M-5909K44	NEEDLE ROLLER THRUST BEARING WASHER	2
98	M-92066A009	SCKT HEAD NUT #8-32par	2



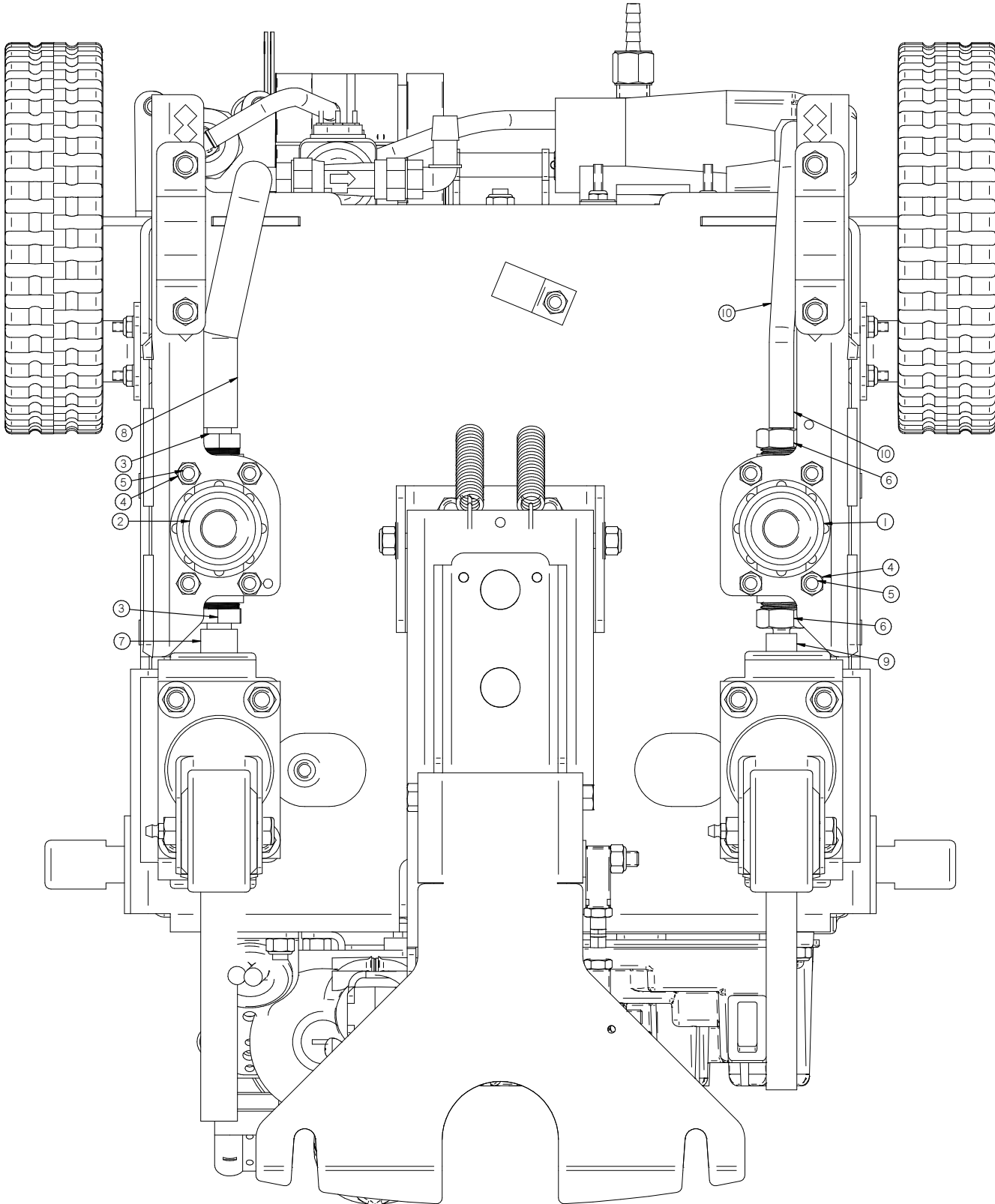


Item	Part No.	Part Description	Qty.
1	150-2830	SWITCH, TOGGLE, MOM/OFF/MOM (DPDT)	1
2	170-2700	SPACER, 1-1/2" LG	4
3	175-0300	Emergency stop switch, 51 series, IC/O	1
4	175-1292	HAND GUARD	2
5	175-2014	TOUCH SCREEN PROTECTOR	1
6	175-2018	BLUE ANODIZED SCREEN COVER	1
7	175-2023	WARNING STICKER	1
8	175-2352	POWER KEY FOB	1
9	175-2352	SPARE KEY FOB	1
10	175-2700	NEG INSULATOR POST (BLACK)	1
11	190-1390	END CAP	2
12	21-2203	GROMMET, RUBBER 3/16 ID X 13/32 OD X 3/32 TH.	2
13	21-2230	MICRO SWITCH	1
14	21-4520	SPEED CONTROL KNOB, RED	1
15	21-7101	LIFT KNOB	1
16	253-283	SWITCH, TOGGLE, ON/OFF/ON (DPDT)	1
17	264-1290	ADJUSTABLE HANDLE BAR, LEFT	1
18	264-1291	ADJUSTABLE HANDLE BAR, RIGHT	1
19	264-2001	CONTROL PANEL COVER	1
20	264-2013	CENTRAL COMMAND, TOUCH SCREEN	1
21	264-2017	SUDS/SPRAY STICKER	1
22	264-7100	SQUEEGEE LIFT LEVER	1
23	264-7890	SQUEEGEE LIFT CABLE	1
24	290-2330	RED LIGHT	1
25	290-234	KEY SWITCH (WITH KEY)	1
26	290-2340	GREEN LIGHT	1
27	290-234A	KEY SET (REPLACE)	2
28	290-9581	RESISTER	1
29	349-9604	FUSE, RESETTABLE, 4 AMP, 50V DC MAX	1
30	390-9615	FUSE, RESETTABLE, 15 AMP, 50V DC MAX	2
31	4-259	CONNECTOR, RED 50, HOUSING ONLY	1
32	5-293	15 AMP RELAY	1
33	5-892	TOGGLE, ON-OFF SPST	1
34	650-2890	KINETECK TOUCH SCREEN CONTROLLER	1
35	650-2891	4 INCH TOUCH SCREEN	1
36	650-4042	CORD WRAP	1
37	7-227	BUTTON COVER	2
38	7-228	SWITCH MOUNT PLATE	4
39	7-229	PUSH BUTTON SWITCH	4
40	7-292	5K POTENTIOMETER	1
41	700-2590	DUAL USB PORTS	1
42	H-0147994	3/8-32 X 1/2 PANEL NUT	1
43	H-0172518	CB #10-32 X 1/2" SS	1
44	H-0172522	CB #10-32 X 1-1/4" SS	2
45	H-1032HCN	HCN #10-32	4
46	H-11196	PROTECTIVE BOOT, TOGGLE SWITCH, (RED)	1
47	H-11198	PROTECTIVE BOOT, TOGGLE SWITCH, (GREEN)	1
48	H-11205	PROTECTIVE BOOT, TOGGLE SWITCH, (LIGHT BLUE)	1
49	H-28667	PHP MS 4-40 X 3/4"	2
50	H-33761	5/16" INT/EXT STAR WASHER	4
51	H-41007	AB4-3A BLIND RIVET	4
52	H-70854	NYLOK #4-40 SS	8
53	H-70855	NYLOK #6-32 SS	2
54	H-70860	NYLOK 1/4"- 20 SS	7
55	H-70861	NYLOK 5/16" - 18 SS	6
56	H-70922	KN #8-32	2
57	H-70923	KN #10-32 SS	5
58	H-71007	FW #8 SS	4
59	H-71013	FW 1/4 ID X 5/8 OD SS	3
60	H-71015	FW 5/16 ID X 3/4 OD SS	4
61	H-71059	LW #10, SS	8
62	H-71063	LW 1/4" SS	4
63	H-71212	FNW 1/4 ID X 1.0 OD SS	4
64	H-72390	PPH #6-32 X 1" MS S/S	2
65	H-72398	PPH #8-32 X 1/2" S/S	10
66	H-72486	PPH #4-40 X 1/2" S/S	6
67	H-72534	PPH #10-32 X 3/4" S/S	4
68	H-72636	FHP #4-40 X .375 SS	4
69	H-73459	SHCS 1/4-20 X 1/2 SS	4
70	H-73758	BHSCS 1/4 - 20 X 1-3/4" SS	4
71	H-74417	CB 1/4"- 20 X .5" SS	2
72	H-74418	CB 1/4"- 20 X 5/8" S/S	4
73	H-74420	CB 1/4"- 20 X 1.0" SS	1
74	H-74429	CB 5/16"- 18 X 3/4" SS	5
75	H-76061	FW 1/4" NYLON	3
76	H-9307K74	GROMMET, 1" ID X 1-3/4" OD BUNA-N	2
77	M-4464T178	NEEDLE ROLLER THRUST BEARING ORING	1
78	M-5909K31	NEEDLE ROLLER THRUST BEARING	1
79	M-5909K44	NEEDLE ROLLER THRUST BEARING WASHER	2



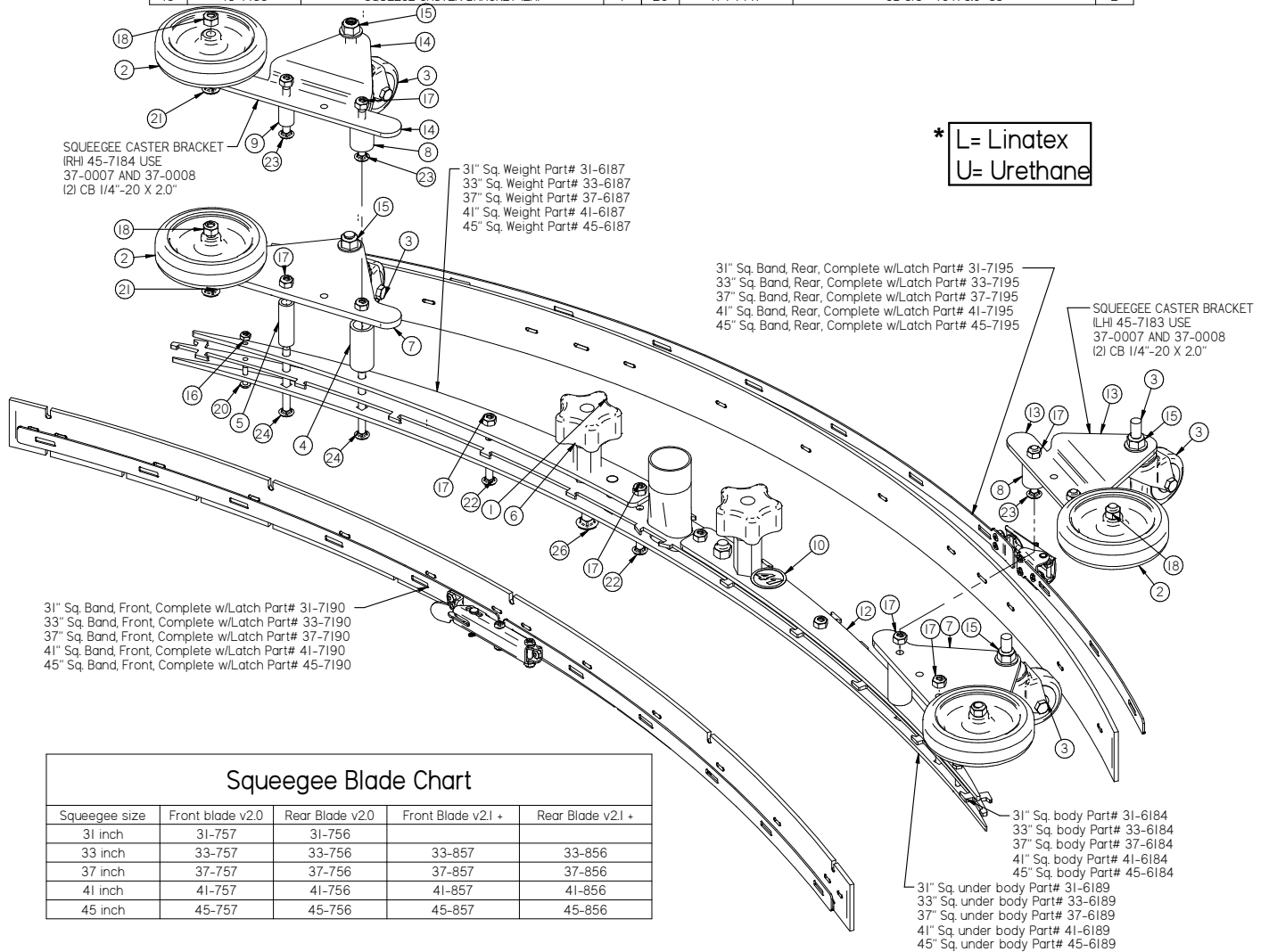


Item	Part No.	Part Description	Qty.
1	I23-1601	3/8 BARBED FITTING	1
2	I23-2334	ZERO GENERATORS	1
3	I23-6500	24V VALVE	1
4	I23-8510	RED INJECTOR	1
5	I23-8910	PUMP, WATER JET	1
6	I23-9134	AIR DRYER	1
7	I50-5280	VALVE BRACKET	1
8	H-0172520	CB #10-32 X 3/4" SS	1
9	H-0172522	CB #10-32 X 1-1/4" SS	1
10	H-70855	NYLOK #6-32 SS	1
11	H-70858	NYLOK #10-32 SS	4
12	H-70921	KN #6-32	1
13	H-70923	KN #10-32 SS	2
14	H-71010	FW #10 ID X 11/16 OD SS	3
15	H-72393	PPH #6-32 X 2" MS S/S	1
16	M-50785K441	.375 MALE NPT X .375 FEMALE NPT ELBOW 90 DEG	1
17	M-5346K52	.375 NPT X .25 BRASS BARBED HOSE FITTING	1
18	M-53525K18	.375 NPT X .375 BRASS BARBED ELBOW	1
19	T-025CS6000	BULK 1/4" ID X 5' CLEAR SILICONE ZERO HOSE	1
20	T-025CS6000	BULK 1/4" ID X 5' CLEAR SILICONE ZERO HOSE	1
21	T-375R6000	BULK 3/8" ID X 5' WIRE REINFORCED ZERO HOSE	1



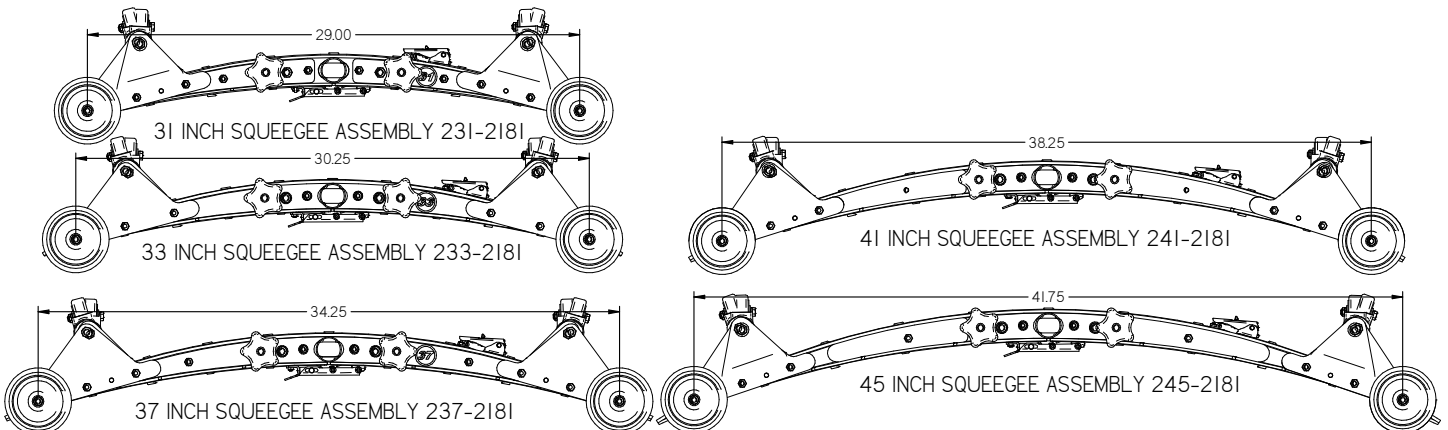
Item	Part No.	Part Description	Qty.
1	I75-9130	INLINE FILTER	1
2	I75-9135	INLINE FILTER W/BLACK 40 MESH SCREEN	1
3	H-04788	.50 NPT X .50 BARB	2
4	H-70860	NYLOK 1/4" - 20 SS	2
5	M-3043T13	1/4-20 X 1.0" U-BOLT	2
6	M-5463K461	.50 NPT X .375 BARB,par	2
7	T-050R6000	BULK 1/2" ID X 5' WIRE REINFORCED SOLUTION HOSE	1
8	T-050R6000	BULK 1/2" ID X 5' WIRE REINFORCED SOLUTION HOSE	1
9	T-375R6000	BULK 3/8" ID X 5' WIRE REINFORCED ZERO HOSE	1
10	T-375R6000	BULK 3/8" ID X 5' WIRE REINFORCED ZERO HOSE	1

Item	Part No.	Part Description	Qty.	Item	Part No.	Part Description	Qty.
1	150-5786	STAR KNOB, 3/8-16 THREAD	2	14	45-7184	SQUEEGE CASTER BRACKET (RHI)	1
2	150-7600	4" SIDE WHEEL (GREY)	4	15	H-0129152A	FLANGED NUT 3/8-16	4
3	253-7570	CASTER	4	16	H-70856	NYLOK #8-32 SS	2
4	31-0007	SQUEEGEE ROLLER SPACER	2	17	H-70860	NYLOK 1/4" - 20 SS	12
5	31-0008	SQUEEGEE ROLLER SPACER	2	18	H-70861	NYLOK 5/16" - 18 SS	4
6	33-8460	STANDOFF, 1.5"	2	19"	H-70862	NYLOK 3/8"-16 SS	2
7	35-7183	SQUEEGE CASTER BRACKET	2	20	H-72416	PPH #8-32 X 3/4" S/S	2
8	37-0007	SQUEEGEE ROLLER SPACER	2	21	H-74401	CB 5/16"- 18 X 1-3/4" SS	4
9	37-0008	SQUEEGEE ROLLER SPACER	2	22	H-74420	CB 1/4"- 20 X 1.0" SS	4
10	41-1600	41 inch sticker	1	23	H-74423	CB 1/4"- 20 X 2.0" SS	4
11"	41-1602	41" XL sticker	1	24	H-74425	CB 1/4"- 20 X 2-3/4" SS	4
12	41-6187	SQUEEGEE WEIGHT	2	25"	H-74436	CB 3/8"- 16 X 1.0" SS	2
13	45-7183	SQUEEGE CASTER BRACKET (LH)	1	26	H-74441	CB 3/8"- 16 X 3.0" SS	2



Squeegee Blade Chart

Squeegee size	Front blade v2.0	Rear Blade v2.0	Front Blade v2.1 +	Rear Blade v2.1 +
31 inch	31-757	31-756		
33 inch	33-757	33-756	33-857	33-856
37 inch	37-757	37-756	37-857	37-856
41 inch	41-757	41-756	41-857	41-856
45 inch	45-757	45-756	45-857	45-856



BLANK
THIS PAGE WAS INTENTIONALLY LEFT BLANK

ROUND DISK BRUSHES:

NOTICE

The ## in Disk Column Denotes Desk Pad Size: 13" or 20"

BRUSHES	DISK	LEVEL
Super Grit	##-382SS	Very High
Tough Grit	##-382S	High
Midi Grit	##-382C	Medium
Light Grit	##-382PS	Moderate
Poly	##-382P	Light
Nylon	##-382N	Light
Tampico	##-382T	Light
Pad Driver	##-382D	
Diamond Driver	##-382DD	

ROUND DISK PADS:

NOTICE

The ## in Disk Column Denotes Desk Pad Size: 13" or 20"

DISK PADS	DISK	LEVEL	COLOR
Super Black	##-422BB	Very High	Black
Black	##-422B	High	Black
Brown	##-422BR	High	Brown
Green	##-422G	Medium	Green
Blue	##-422BL	Moderate	Blue
Red	##-422R	Moderate	Red
White	##-422W	Light	White

CYLINDRICAL BRUSHES:

BRUSHES	MODEL 25" CYLINDRICAL	LEVEL
Tough Grit	236-697S	High
Midi Grit	236-697C	Medium
Light Grit	236-697PS	Moderate
Nylon	236-697N	Light
Tampico	236-697T	Light

EDGE PADS AND SCREENS:

DESCRIPTION	24"×14" SCRUBDECK	20"×14" SCRUBDECK	28"×14" SCRUBDECK
White Pad	N / A	EDGE-4005	EDGE-4054
Red Pad	EDGE-2404	EDGE-4004	EDGE-4053
Blue Pad	EDGE-2403	EDGE-4003	EDGE-4052
Green Pad	EDGE-2402	EDGE-4002	EDGE-4051
Black Pad	EDGE-2401	EDGE-4001	EDGE-4050
White Driver Pad	N / A	EDGE-4025	EDGE-4058
Tile/Grout Renovator Pad	N / A	EDGE-4018	EDGE-4059
Microfiber Pad	N / A	EDGE-4036	EDGE-4060
Dominator HD Strip Pad	N / A	EDGE-4006	EDGE-4061
Maroon ECO Prep Pad	EDGE-2407	EDGE-4007	EDGE-4062
Remover Burnishing Pad	N / A	EDGE-4008	EDGE-4063
Porko Burnishing Pad	N / A	EDGE-4017	
Velcro Pad	N / A	300-4023	

EDGE GRIP FACE:

Common Wear Parts

DESCRIPTION	PART#
20", 24" & 28" Mighty Lok Grip Face	300-01037Z

V2.0 SQUEEGEE BLADE KITS & COMPLETE SQUEEGEE ASSEMBLIES:

SQUEEGEE SIZE	20" DISK DECKS	26" DISK DECKS	25" CYL. DECKS	20" EDGE DECKS	24" EDGE DECKS	28" EDGE DECKS
33" Squeegee	Standard	Standard	Standard	Standard	Standard	Standard
37" Squeegee	Optional	Optional	Optional	Optional	Optional	Optional

SQUEEGEE SIZE	LINATEX BLADE KIT	GUM RUBBER BLADE KIT	URETHANE BLADE KIT	COMPLETE SQUEEGEE ASSEMBLIES
33" Squeegee	233-770L	233-770G	233-770U	233-2181
37" Squeegee	237-770L	237-770G	237-770U	237-2181

SQUEEGEE MATERIAL:	USED FOR:
LINATEX	Provides best wear and tear resistance. Not designed for use with harsh chemicals.
URETHANE	Provides best resistance when dealing with harsh chemicals, oils, fuels, etc.
GUM	Provides best drying performance on rough/ grouted floor types by sealing over irregularities. Short life.

NOTICE


Squeegee blade kits include (1) Rear Blade, (1) Front Blade, and (2) Caster Wheels with hardware.

NOTICE

Squeegee Assemblies (complete) listed above all come with Linatex blades.

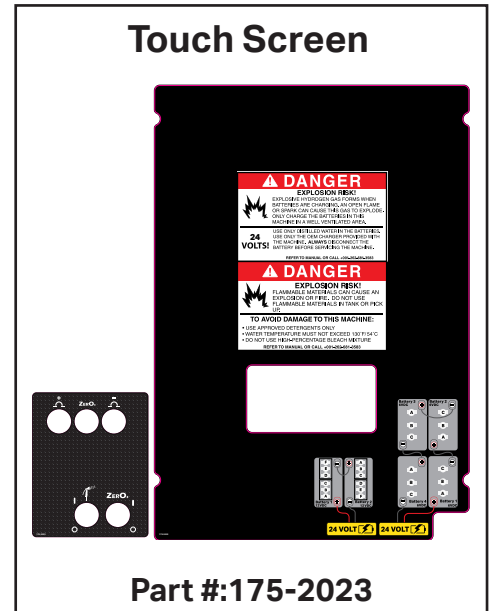
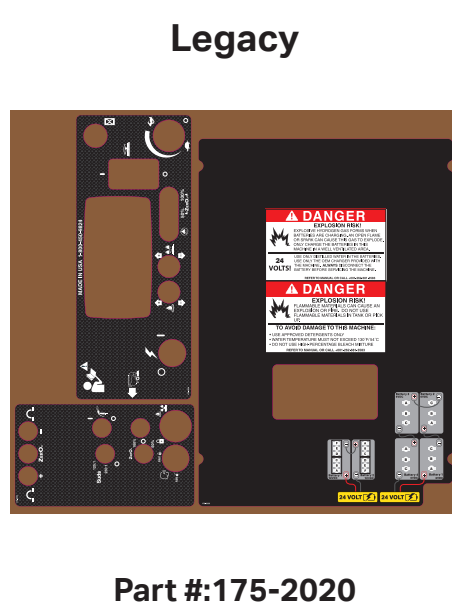
NOTICE

Size is stamped into the top of the painted steel squeegee body on all squeegee's.



The diagram shows a top-down view of a squeegee assembly. It consists of a central yellow blade mounted on a black frame. The frame has two wheels at the ends. A callout box points to the top of the blade frame, showing the number '33' and '84cm' stamped into the metal.

Central Command Decals



Models / Options / Squeegee Size Decals



Part #370-7215



Part #:164-1515



Part #:175-1518



Part #:123-1837



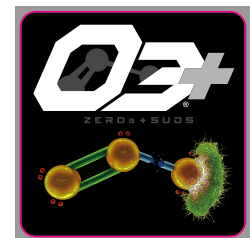
Part #:123-1838



Part #:33-1600



Part #:37-1600



Part #:123-1843

BLANK
THIS PAGE WAS INTENTIONALLY LEFT BLANK

FACTORYCAT[®]

www.factorycat.com
1711 South Street
Racine, WI 53404 (USA)
1-262-681-3583
© 2022 RPS Corporation, All Rights Reserved.