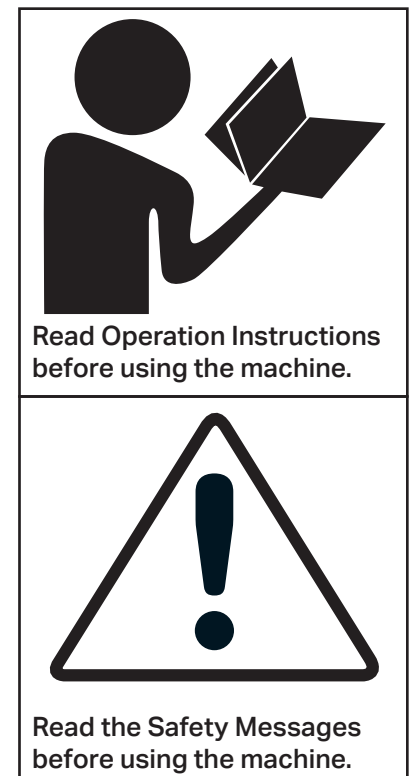
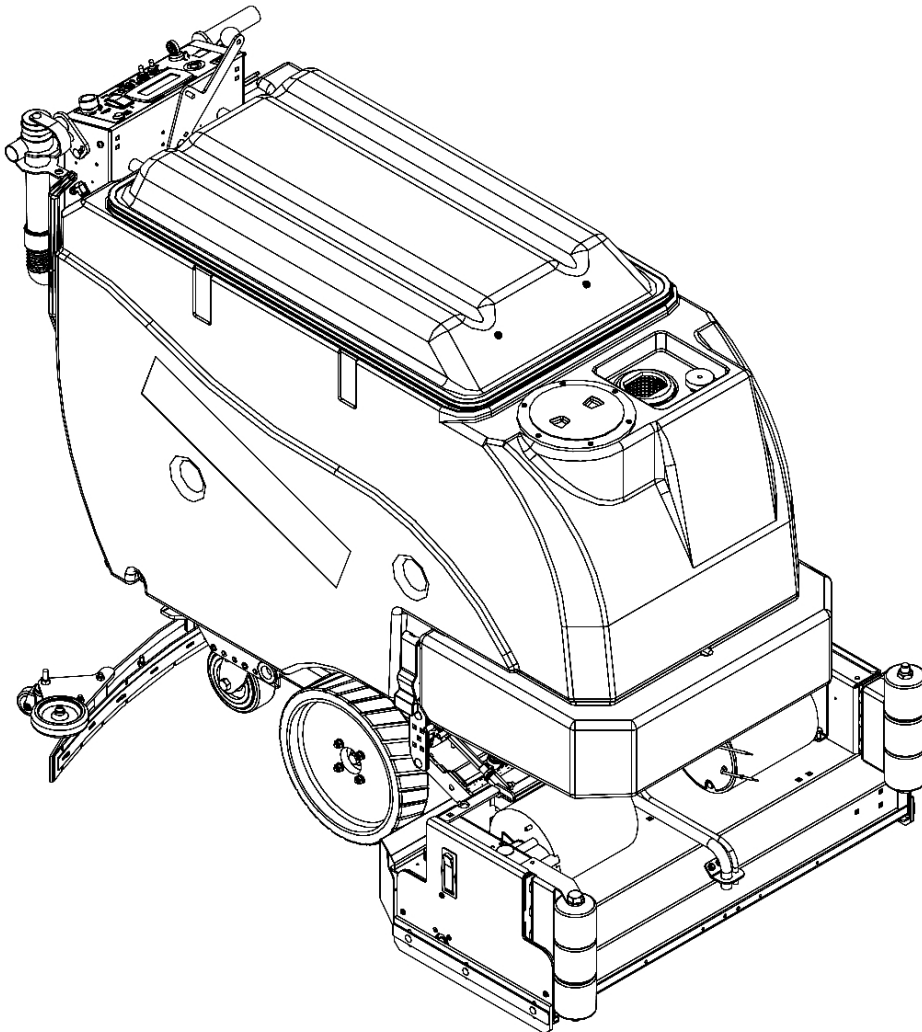
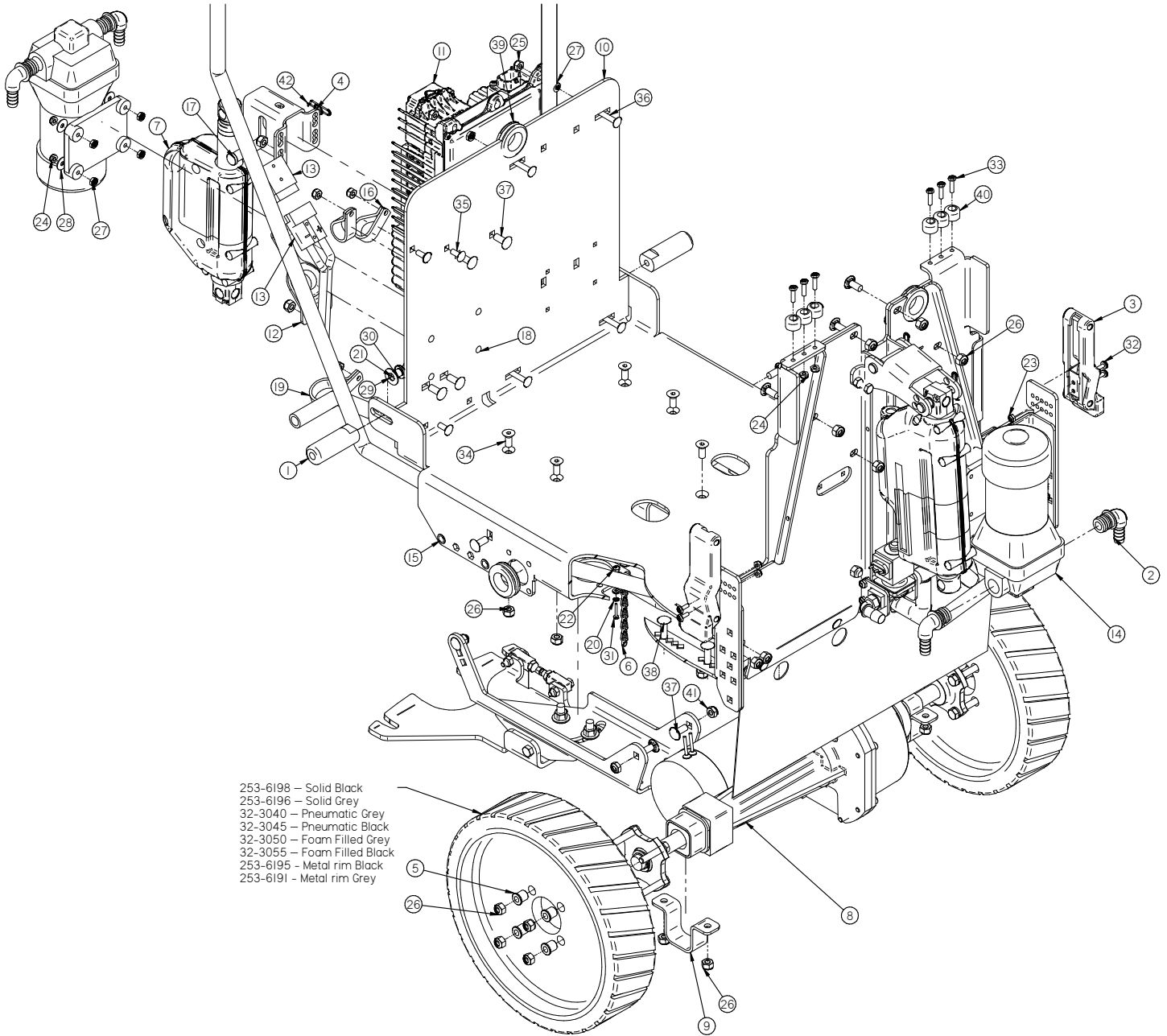


Parts Manual (EN)



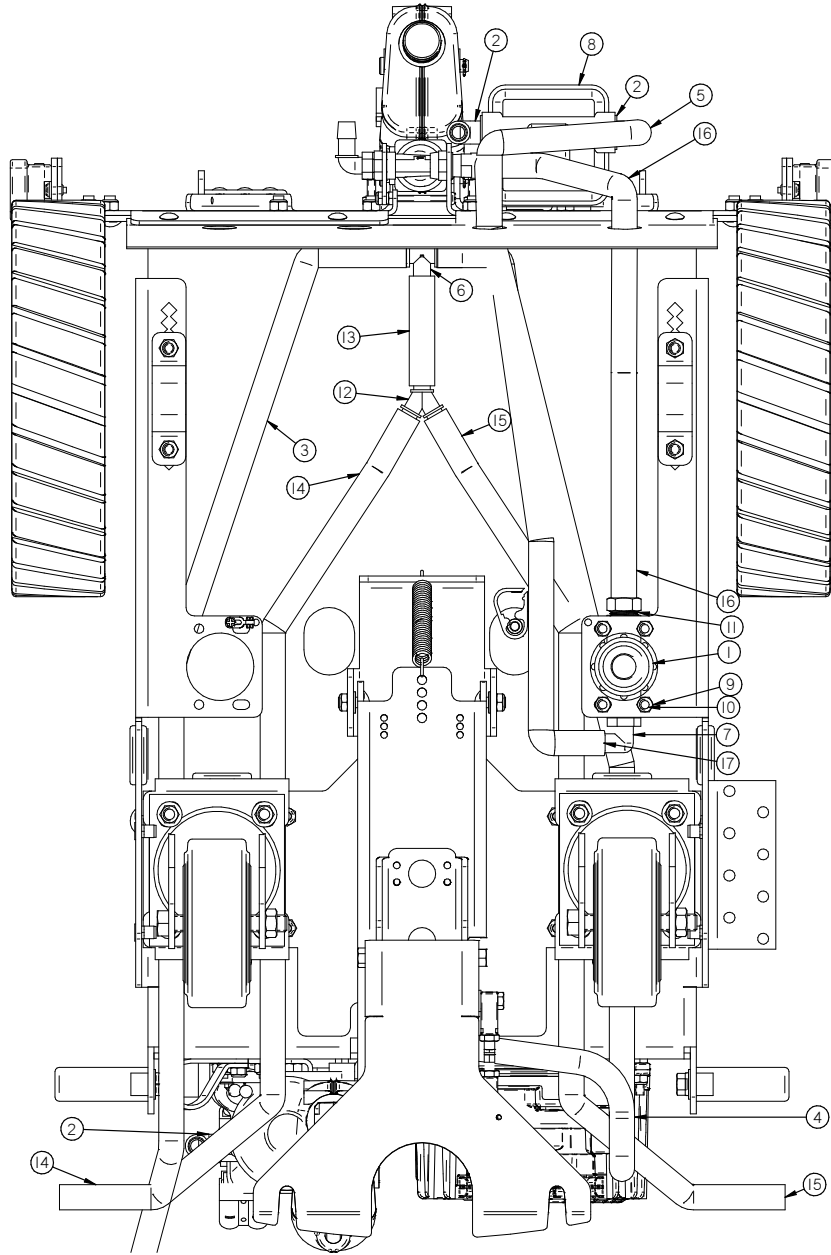
Frame Assembly.....	4
Frame Assembly - Bottom View	5
Actuator & Frame Support.....	6
Squeegee Drag Link.....	7
Disk Decks.....	8
Disk Deck Shrouds.....	9
Jaws Assembly - Right Side	10
Jaws Assembly - Left Side.....	11
Cylindrical Assembly.....	12
Cylindrical Drive Assembly	13
Cylindrical Door	14
Caster Foot Assembly	15
ORBITAL Decks.....	16
ORBITAL Lifting Bracket.....	17
Standard XL Tank Assembly.....	18
Standard XL Tank - Drain Saver, Vac Box, Baffle Assembly	19
Standard XL Tank - Vacuum Bandeau Assembly	20
Small Tank Assembly.....	21
Small Tank - Drain Saver, Vac Box, Baffle Assembly	22
Small Tank - Vacuum Bandeau Assembly	23
Batteries & Chargers	24
Off-Aisle Vacuum Wand.....	25
Legacy Central Command Assembly	26
Military Central Command Assembly.....	28
Touch Screen Central Command Assembly	30
Membrane Central Command Assembly.....	32
ZerO3 Onboard Option Assembly	34
ZerO3 Onboard Option Plumbing.....	35
Squeegees	36
Options	37
Common Wear Parts.....	38
Common Wear Parts	39



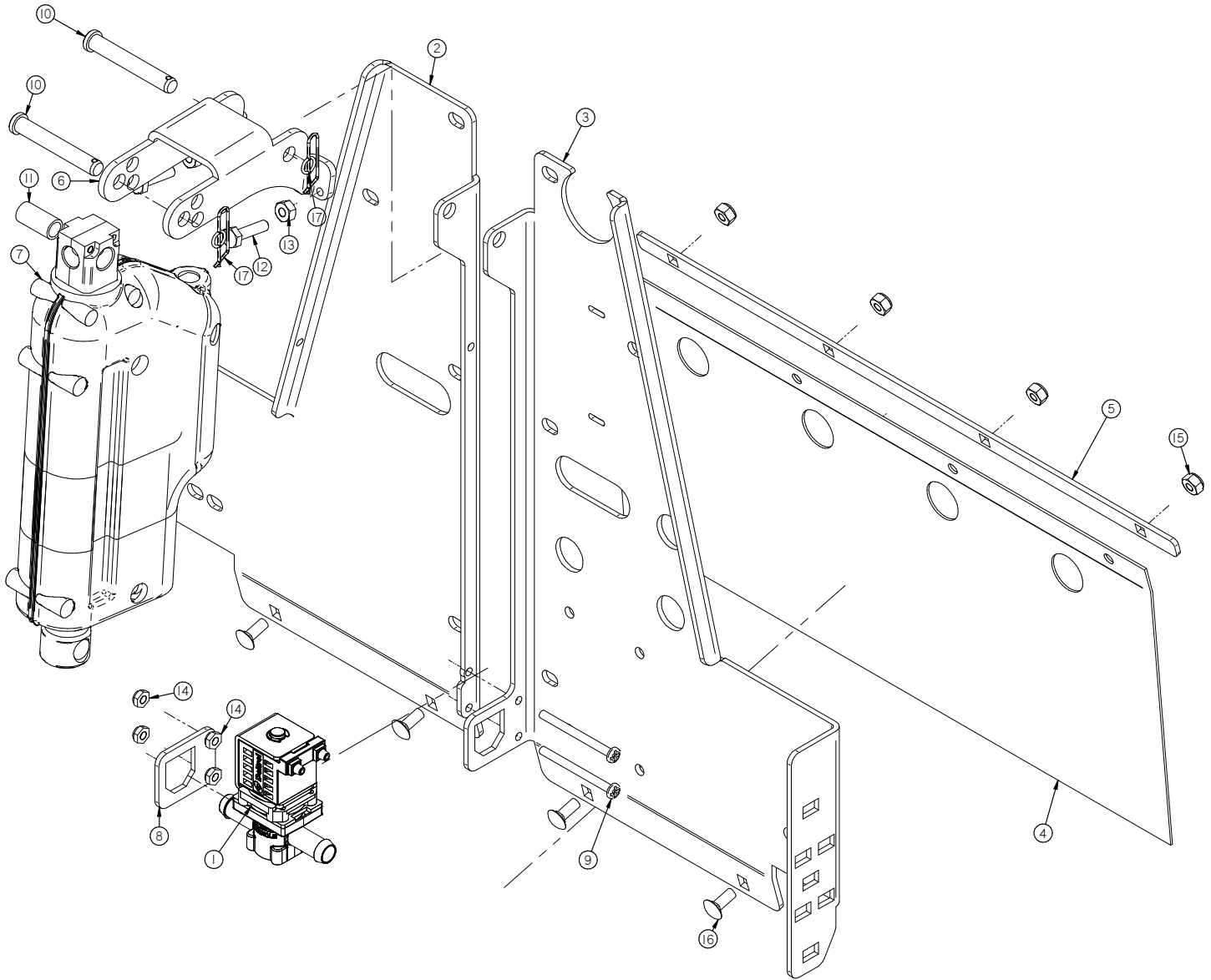
253-6198 – Solid Black
 253-6196 – Solid Grey
 32-3040 – Pneumatic Grey
 32-3045 – Pneumatic Black
 32-3050 – Foam Filled Grey
 32-3055 – Foam Filled Black
 253-6195 – Metal rim Black
 253-6191 – Metal rim Grey

Item	Part No.	Part Description	Qty.	Item	Part No.	Part Description	Qty.
1	175-1060	2-3/4" BOSS	1	22	H-70855	NYLOK #6-32 SS	1
2	21-1601	1/2" BARBED ELBOW (PLASTIC)	1	23	H-70856	NYLOK #8-32 SS	1
3	250-1240	LATCH	1	24	H-70858	NYLOK #10-32 SS	2
4	253-1099	AUTO SQUEEGEE LIFT BRACKET	1	25	H-70860	NYLOK 1/4"- 20 SS	1
5	253-1245	BUSHING	1	26	H-70861	NYLOK 5/16"- 18 SS	3
6	253-1618	GROUNDING CHAIN, 12"	1	27	H-70925	KN 1/4-20 S/S	1
7	253-2240	2" STROKE 24V ACTUATOR 450 LB LOAD	1	28	H-71010	FW #10 ID X 11/16 OD SS	1
8	253-3009	TRANS AXLE	1	29	H-71017	FW 3/8 ID X 7/8 OD SS	1
9	264-0999	AXLE MOUNT	1	30	H-71067	LW 3/8" SS	1
10	264-1100	MAINFRAME	1	31	H-72388	PPH #6-32 X 3/4" SS	1
11	264-2460	ON BOARD CHARGER I200-24	1	32	H-72398	PPH #8-32 X 1/2" S/S	1
12	264-9516	CHARGER CONECTOR BRACKET	1	33	H-72416	PPHMS #10-32 X 3/4" S/S	1
13	4-259	CONNECTOR, RED 50, HOUSING ONLY	2	34	H-73907	FHSCS 5/16"- 18 X 3/4" SS	1
14	5-891	PUMP, WATER JET	1	35	H-74418	CB 1/4"- 20 X 5/8" S/S	1
15	H-00918	HCN 1/4"-20 LG	1	36	H-74421	CB 1/4"- 20 X 1-1/4" SS	1
16	H-0127295	RUBBER LOOP CLAMP, 3/4"	1	37	H-74429	CB 5/16"- 18 X 3/4" SS	2
17	H-0156771	CLEVIS PIN, 1/2" OD X 2" LG	1	38	H-74430	CB 5/16"- 18 X 1" SS	1
18	H-0172522	CB #10-32 X 1-1/4" SS	1	39	H-9307K74	GROMMET, 1" ID X 1-3/4" OD BUNA-N	1
19	H-3225T	RUBBER LOOP CLAMP, 1-1/2"	1	40	H-9540	RUBBER BUMPER, 25/32"	1
20	H-33733	#6 STAR WASHER	1	41	H-NJ05C	JNYL 5/16"- 18 SS	1
21	H-70105	HCS 3/8"- 16 X 1" SS	1	42	H-RUE22	1/2" RUE RING COTTER	1

Frame Assembly - Bottom View

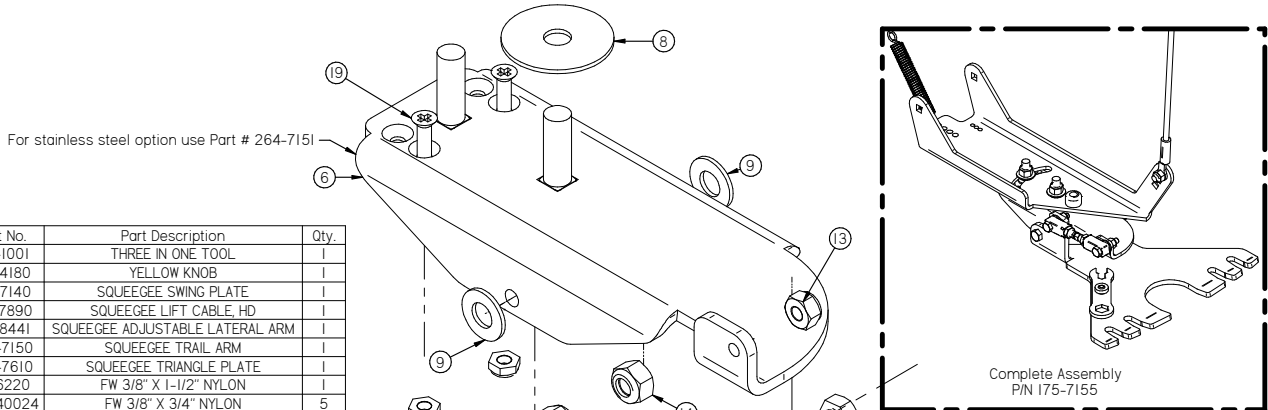
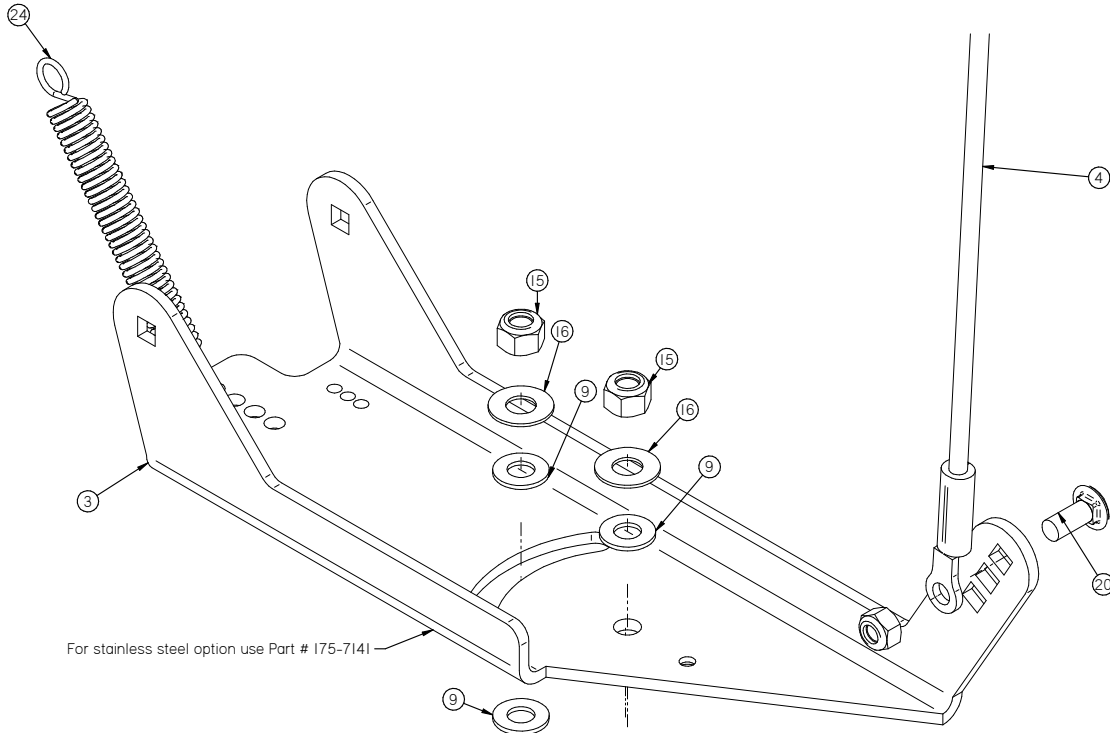


Item	Part No.	Part Description	Qty.
1	175-9130	INLINE FILTER	1
2	21-1601	1/2" BARBED ELBOW (PLASTIC)	3
3	264-1370	SIGHT TUBE	1
4	290-8960	SPRAY JET HOSE	1
5	290-8960	SPRAY JET HOSE	1
6	5-446	1/2" PLASTIC BARB TEE	1
7	5-447	1/2 NPT X 1/2" BARB ELBOW	1
8	5-891	PUMP, WATER JET	1
9	H-70860	NYLOK 1/4"- 20 SS	1
10	M-3043T13	1/4-20 X 1.0" U-BOLT	1
11	M-5463K461	.50 NPT X .375 BARB.par	1
12	M-5463K727	WYE, 1/2", NYLON	1
13	T-050R6000	BULK 1/2"ID X 5' WIRE REINFORCED SOLUTION HOSE	1
14	T-050R6000	BULK 1/2"ID X 5' WIRE REINFORCED SOLUTION HOSE	1
15	T-050R6000	BULK 1/2"ID X 5' WIRE REINFORCED SOLUTION HOSE	1
16	T-050R6000	BULK 1/2"ID X 5' WIRE REINFORCED SOLUTION HOSE	1
17	T-050R6000	BULK 1/2"ID X 5' WIRE REINFORCED SOLUTION HOSE	1

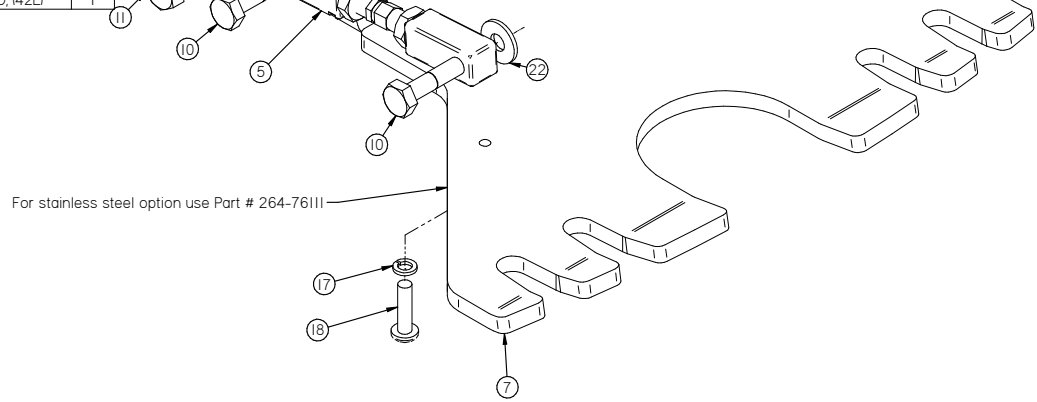


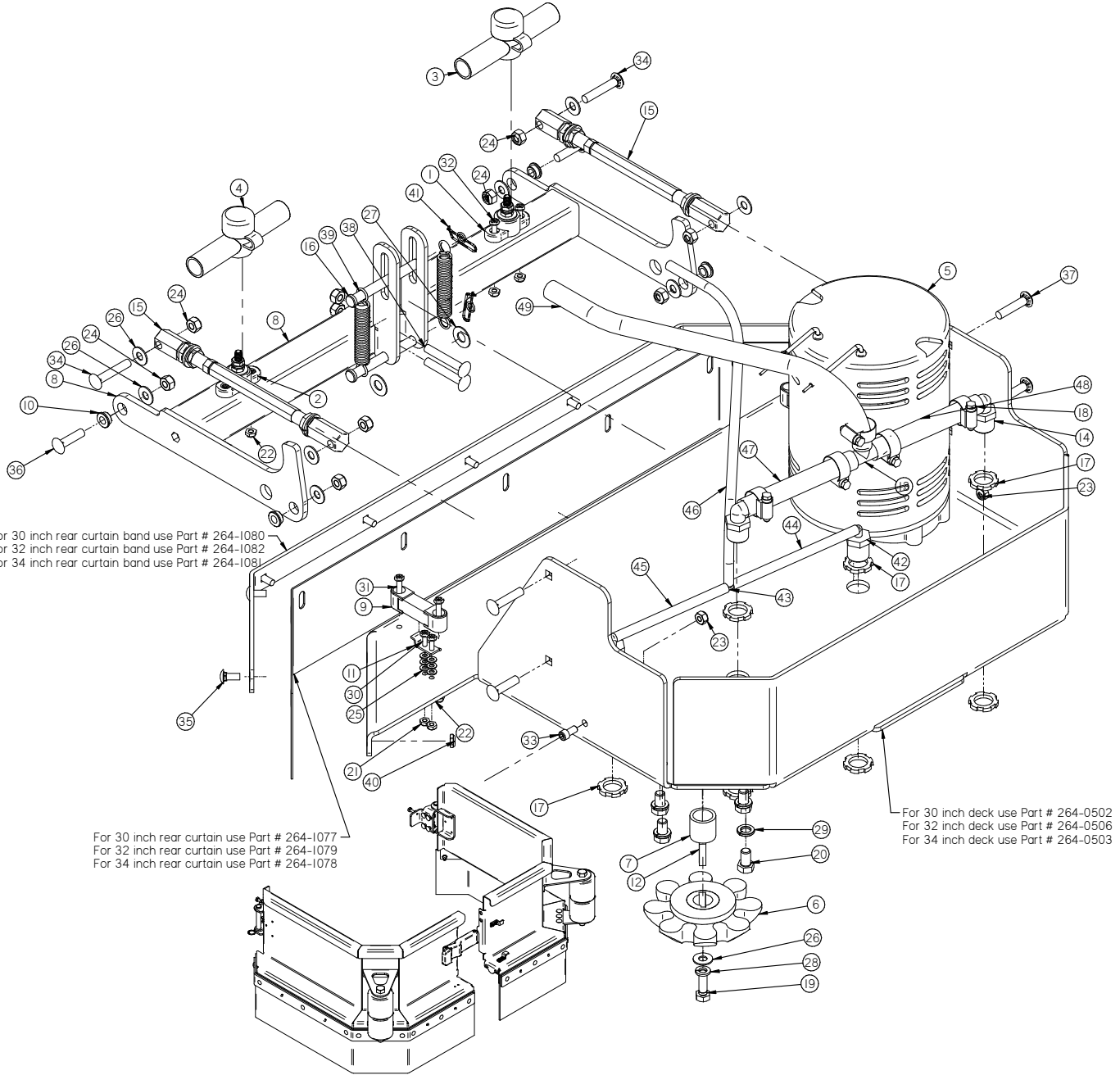
Item	Part No.	Part Description	Qty.
1	175-4500	24V VALVE	1
2	264-1011L	LEFT LIFT ARM SUPPORT BRACKET	1
3	264-1011R	RIGHT LIFT ARM SUPPORT BRACKET	1
4	264-1015	FRAME CURTAIN	1
5	264-1020	BAND, FRAME CURTAIN	1
6	264-1151	ACTUATOR ARM	1
7	264-2210	4" STROKE 24V ACTUATOR 1000 LB LOAD	1
8	264-5280	VALVE BRACKET	1
9	H-00249	PPH #10-32 X 2 1/4" SS	2
10	H-15675	CLEVIS PIN, 3/8" X 2-1/2"	2
11	H-63917	SLEEVE, .50 OD X .375 ID X 1.0 LG	1
12	H-70005	HCS 1/4"- 20 X 1" SS	2
13	H-70710	HN 1/4"- 20 SS	2
14	H-70858	NYLOK #10-32 SS	4
15	H-70860	NYLOK 1/4"- 20 SS	4
16	H-74418	CB 1/4"- 20 X 5/8" S/S	4
17	H-RUE14	3/8" RUE RING COTTER	2

Squeegee Drag Link



Item	Part No.	Part Description	Qty.
1	175-1001	THREE IN ONE TOOL	1
2	175-4180	YELLOW KNOB	1
3	175-7140	SQUEEGEE SWING PLATE	1
4	175-7890	SQUEEGEE LIFT CABLE, HD	1
5	175-8441	SQUEEGEE ADJUSTABLE LATERAL ARM	1
6	264-7150	SQUEEGEE TRAIL ARM	1
7	264-7610	SQUEEGEE TRIANGLE PLATE	1
8	H-06220	FW 3/8" X 1-1/2" NYLON	1
9	H-4440024	FW 3/8" X 3/4" NYLON	5
10	H-70007	HCS 1/4" - 20 X 1.25" SS	2
11	H-70055	HCS 5/16" - 18 X 1" SS	2
12	H-70858	NYLOK #10-32 SS	2
13	H-70860	NYLOK 1/4" - 20 SS	2
14	H-70861	NYLOK 5/16" - 18 SS	3
15	H-70862	NYLOK 3/8" - 16 SS	2
16	H-71017	FW 3/8 ID X 7/8 OD SS	2
17	H-71059	LW #10, SS	1
18	H-72534	PPH #10-32 X 3/4" S/S	1
19	H-72684	FHP 10-32 X 3/4" SS	2
20	H-74429	CB 5/16" - 18 X 3/4" SS	1
21	H-74437	CB 3/8" - 16 X 1-1/4" SS	2
22	H-76061	FW 1/4" NYLON	2
23	H-9540	RUBBER BUMPER, 25/32"	1
24	H-96545	SPRING, 4-1/8" LG, 9/16 OD, 142E	1





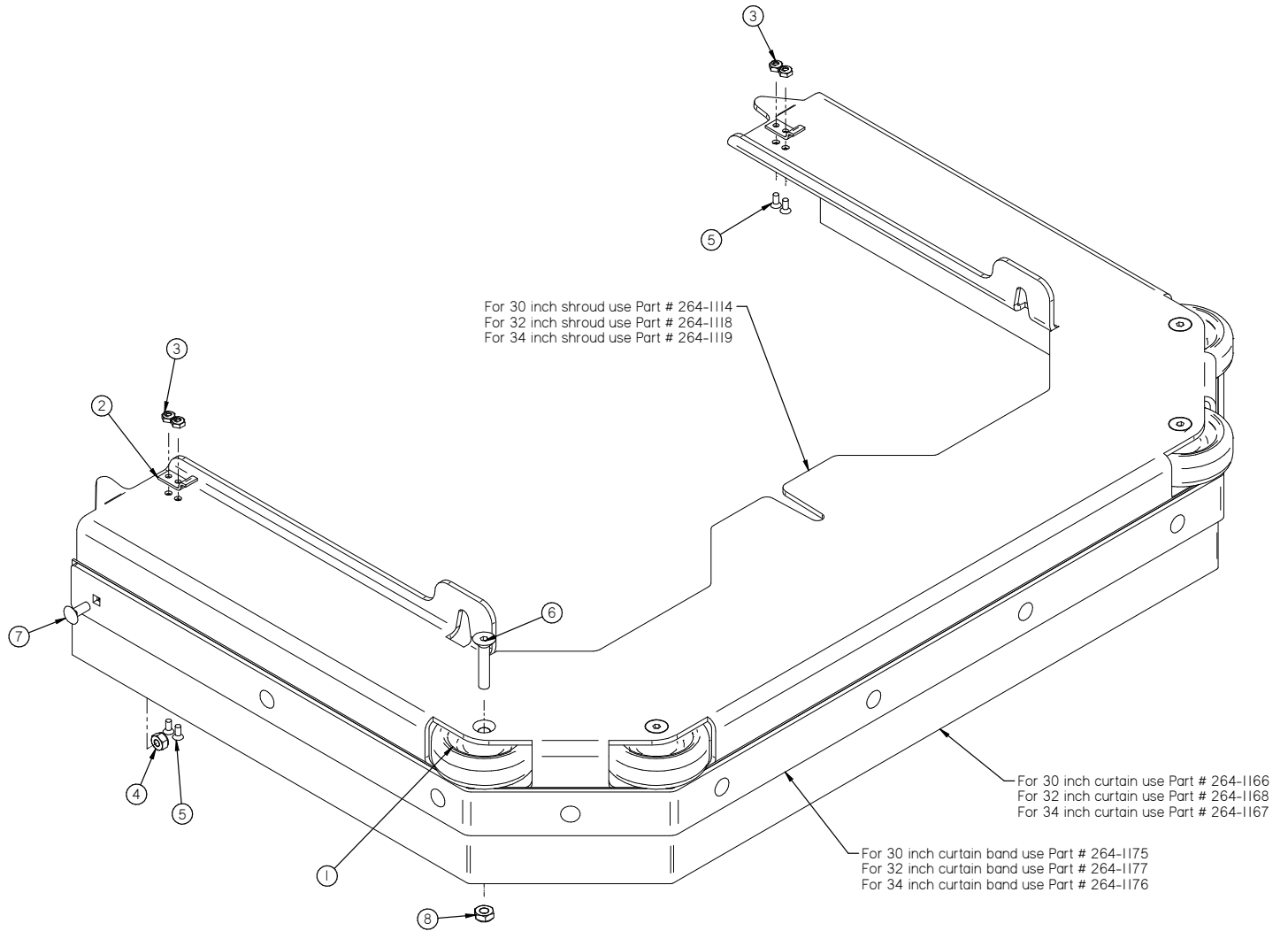
For 30 inch rear curtain band use Part # 264-1080
 For 32 inch rear curtain band use Part # 264-1082
 For 34 inch rear curtain band use Part # 264-1081

For 30 inch rear curtain use Part # 264-1077
 For 32 inch rear curtain use Part # 264-1079
 For 34 inch rear curtain use Part # 264-1078

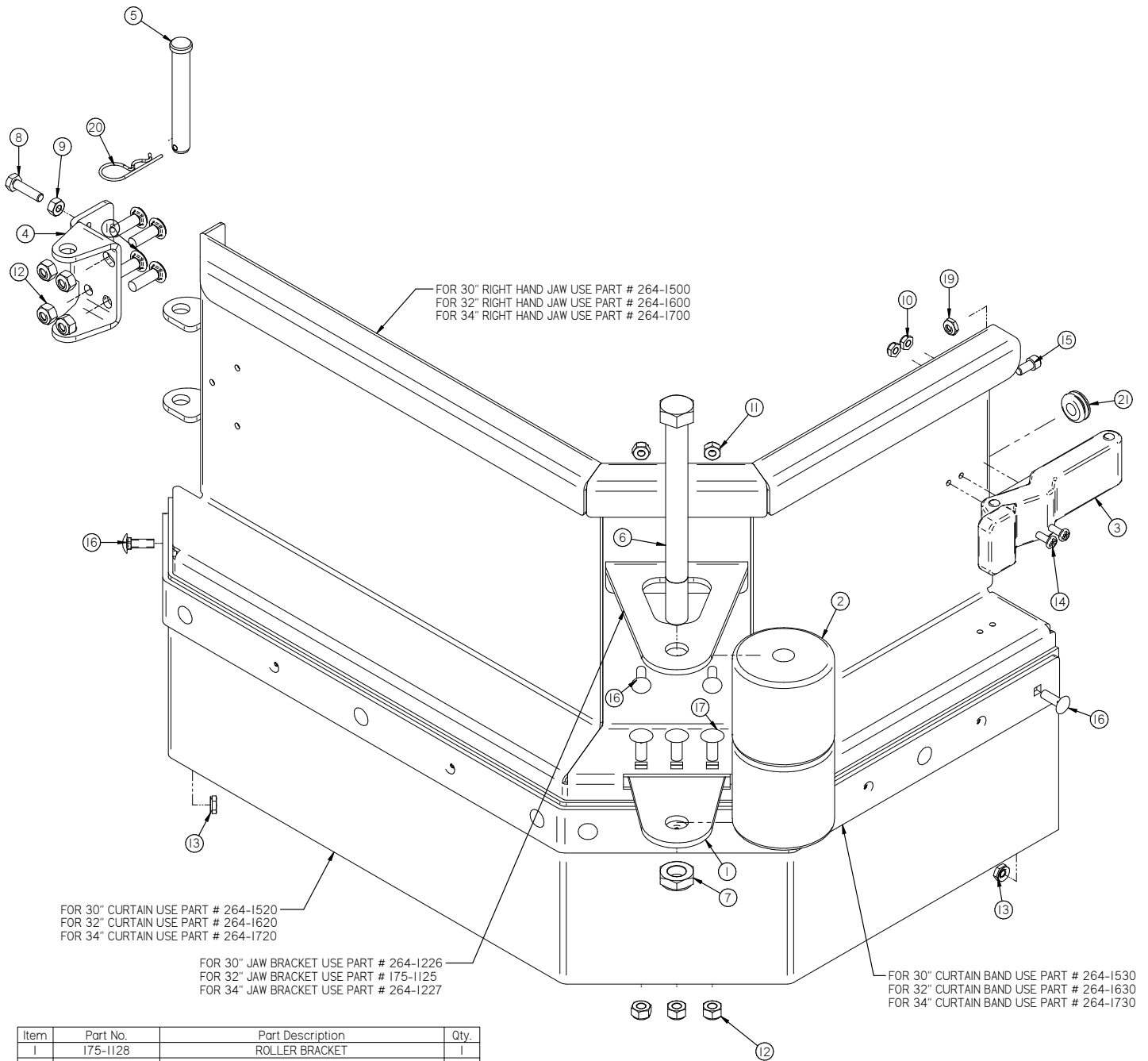
For 30 inch deck use Part # 264-0502
 For 32 inch deck use Part # 264-0506
 For 34 inch deck use Part # 264-0503

Item	Part No.	Part Description	Qty.	Item	Part No.	Part Description	Qty.
1	175-2700	NEG INSULATOR POST (BLACK)	1	26	H-71015	FW 5/16 ID X 3/4 OD SS	10
2	175-2710	POS INSULATOR POST (RED)	1	27	H-71017	FW 3/8 ID X 7/8 OD SS	4
3	175-2780	BLACK INSULATOR BOOT	1	28	H-71065	LW 5/16" SS	2
4	175-2790	RED INSULATOR BOOT	1	29	H-71067	LW 3/8" SS	8
5	253-2222	MOTOR, 24V, 1.0 HP, 350 RPM	2	30	H-72399	PPH #8-32 X 5/8" S/S	4
6	264-5003	BRUSH DRIVER ROUNDED TOOTH	2	31	H-72534	PPH #10-32 X 3/4" S/S	4
7	264-5005	DRIVER SPACER	2	32	H-72556	PPH #10-32 X 2" SS	4
8	264-9586	SCRUBDECK LIFT ARM, DISK	1	33	H-73459	SHCS 1/4-20 X 1/2 SS	2
9	300-4030	LEVEL	2	34	H-74401	CB 5/16" - 18 X 1-3/4" SS	2
10	370-1247	BUSHING 5/16 X 1/2 X 3/16	4	35	H-74418	CB 1/4" - 20 X 5/8" S/S	9
11	4-124	CLIP, LATCH	2	36	H-74431	CB 5/16" - 18 X 1-1/4" SS	4
12	5-431	1/4" X 1" KEY	2	37	H-74432	CB 5/16" - 18 X 1-1/2" SS	2
13	5-446	1/2" PLASTIC BARB TEE	1	38	H-74433	CB 5/16" - 18 X 2" SS	2
14	5-447	1/2 NPT X 1/2" BARB ELBOW	2	39	H-96544	SPRING, 4-1/8" LG X 9/16" OD I42EJ	2
15	9-25	9.25" ADJUSTABLE LATERAL ARM	2	40	H-NJ04C	JNYL 1/4" - 20 SS	9
16	H-0156758	3/8" X 3-1/2" CLEVIS PIN	2	41	H-RUE14	3/8" RUE RING COTTER	2
17	H-07005	1/2" NPT LOCKNUT	8	42	M-5463K494	1/2 NPT X 1/4" BARB ELBOW	2
18	H-081	CLAMP 1.0" - 1-1/8" SS	5	43	M-5463K606	1/4" X 1/4" PLASTIC BARBED TEE	1
19	H-70055	HCS 5/16" - 18 X 1" SS	2	44	T-02586000	BULK 1/4" ID X 5' BLUE ZERO HOSE	1
20	H-70140	HCS 3/8" - 24 X 5/8" SS	8	45	T-02586000	BULK 1/4" ID X 5' BLUE ZERO HOSE	1
21	H-70856	NYLOK #8-32 SS	4	46	T-02586000	BULK 1/4" ID X 5' BLUE ZERO HOSE	1
22	H-70858	NYLOK #10-32 SS	8	47	T-050R6000	BULK 1/2" ID X 5' WIRE REINFORCED SOLUTION HOSE	1
23	H-70860	NYLOK 1/4" - 20 SS	2	48	T-050R6000	BULK 1/2" ID X 5' WIRE REINFORCED SOLUTION HOSE	1
24	H-70861	NYLOK 5/16" - 18 SS	10	49	T-050R6000	BULK 1/2" ID X 5' WIRE REINFORCED SOLUTION HOSE	1
25	H-71007	FW #8 SS	12				

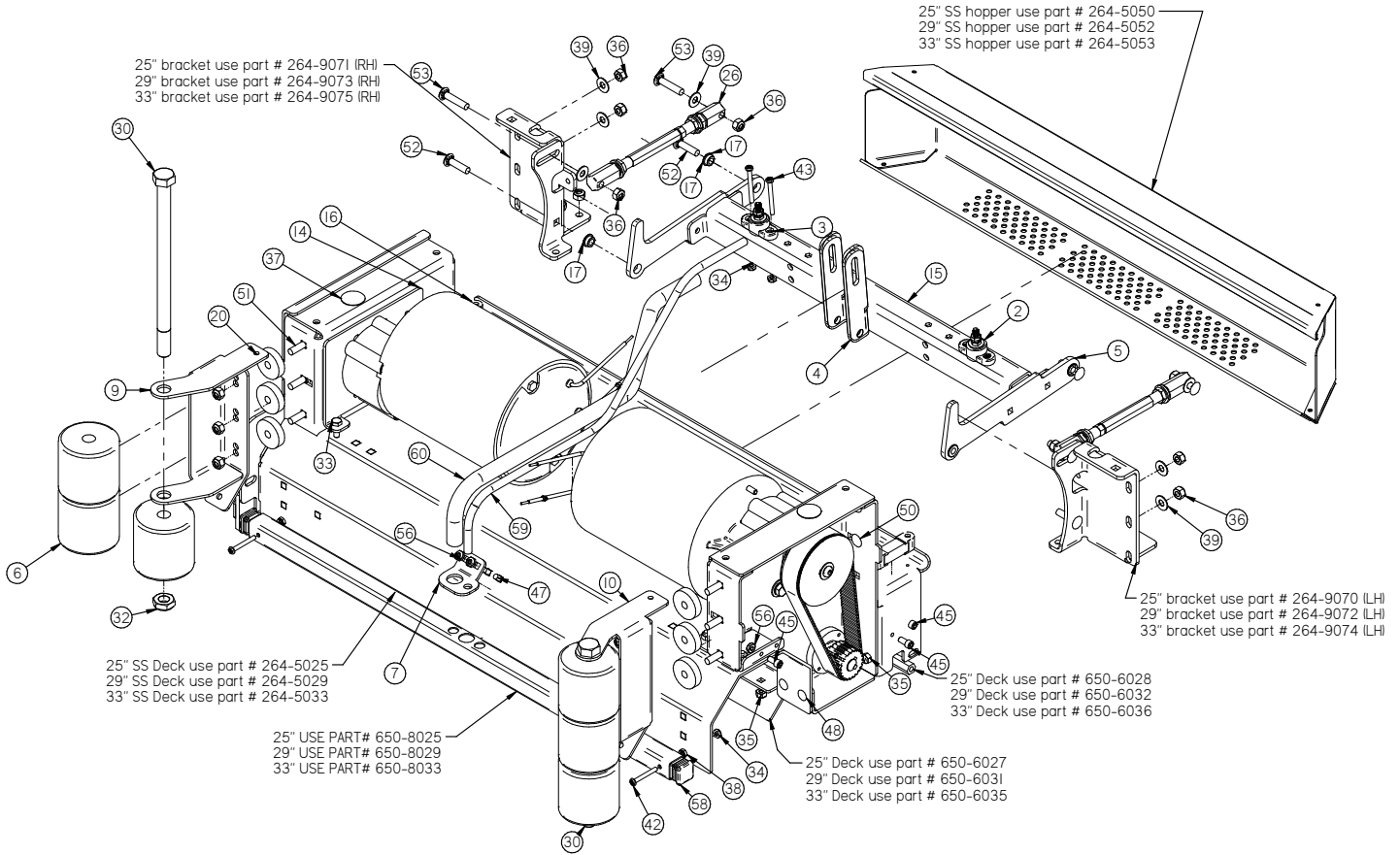
Disk Deck Shrouds



Item	Part No.	Part Description	Qty.
1	150-7601	3" SIDE WHEEL (GREY)	4
2	4-124	CLIP, LATCH	2
3	H-70856	NYLOK #8-32 SS	4
4	H-70860	NYLOK 1/4"- 20 SS	12
5	H-72641	FHP #8-32 X 3/8" SS	4
6	H-73911	FHSCS 5/16"- 18 X 1-5/8" SS	4
7	H-74418	CB 1/4"- 20 X 5/8" S/S	12
8	H-NJ05C	JNYL 5/16"- 18 SS	4

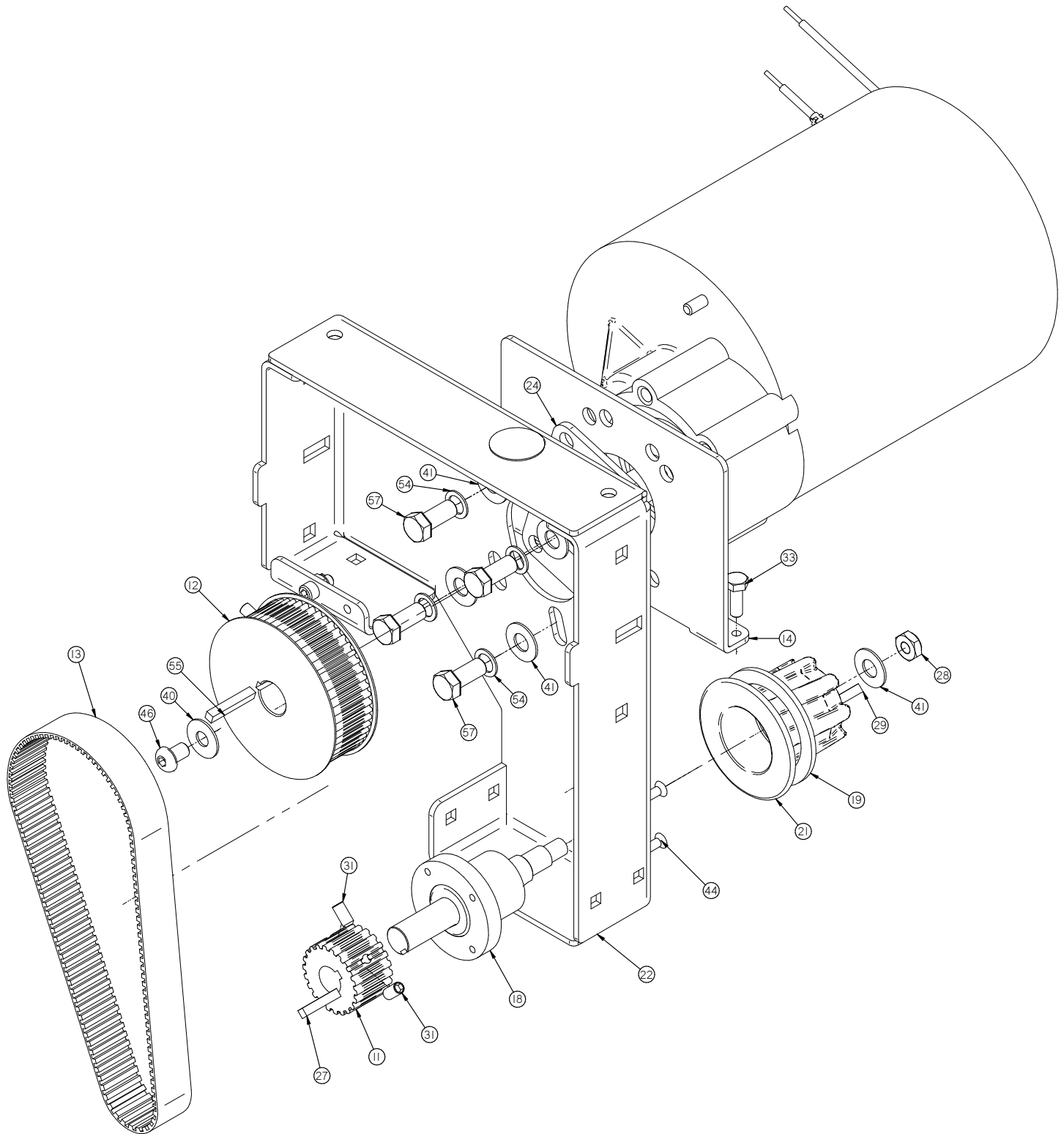


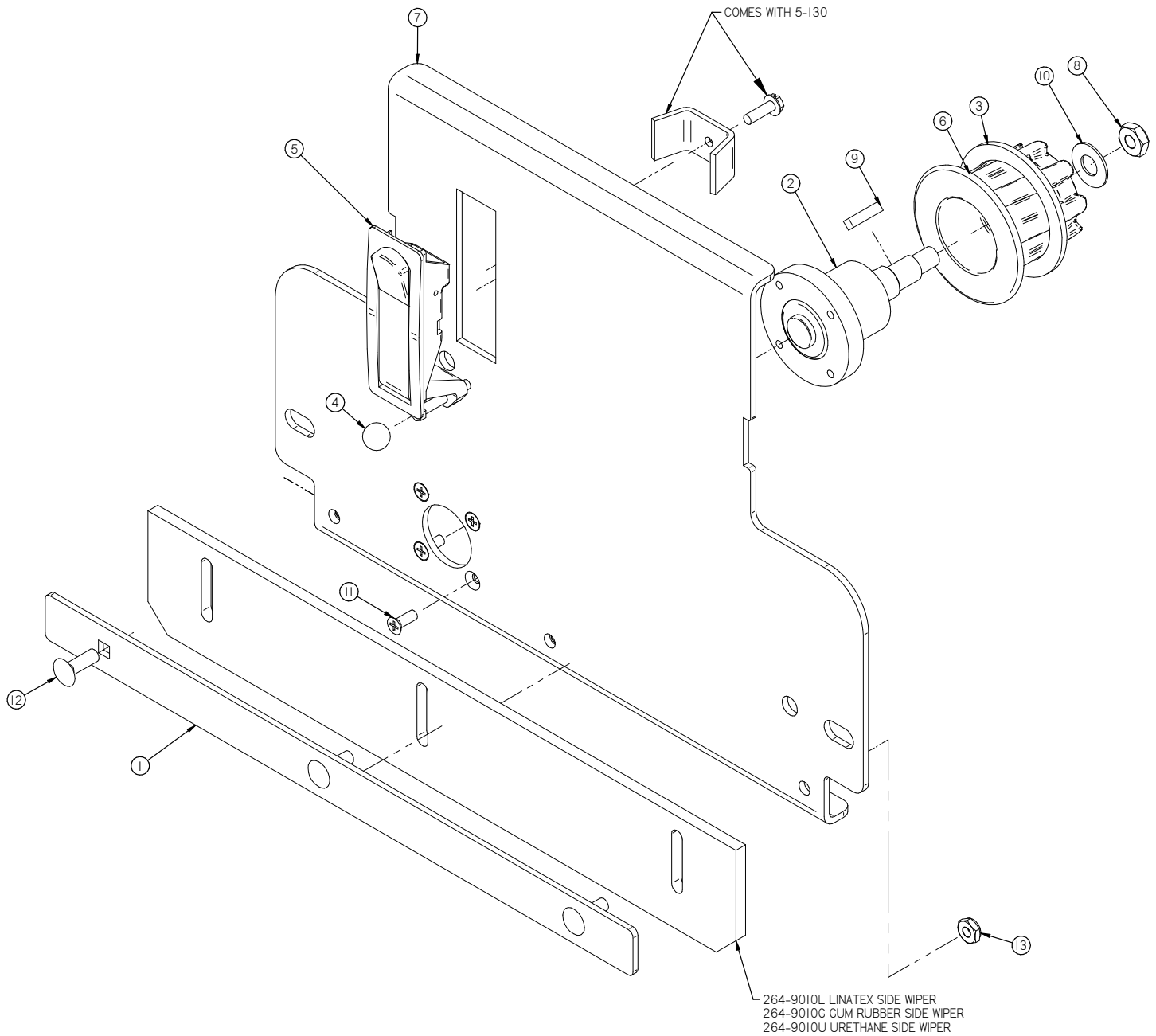
Item	Part No.	Part Description	Qty.
1	175-1128	ROLLER BRACKET	1
2	21-1127	ROLLER	2
3	250-1240	LATCH	1
4	264-1160R	RH JAW HINGE, INNER	1
5	H-0156776	1/2" X 3.5" CLEVIS PIN	1
6	H-13327	HB 5/8"- 11 X 7"	1
7	H-37038	JNYL 5/8"- 11	1
8	H-70005	HCS 1/4"- 20 X 1" SS	1
9	H-70710	HN 1/4"- 20 SS	1
10	H-70858	NYLOK #10-32 SS	2
11	H-70860	NYLOK 1/4"- 20 SS	2
12	H-70861	NYLOK 5/16" - 18 SS	7
13	H-70925	KN 1/4-20 S/S	9
14	H-72515	PPH #10-32 X 1/2" S/S	2
15	H-73459	SHCS 1/4-20 X 1/2 SS	1
16	H-74419	CB 1/4"- 20 X 75" SS	11
17	H-74429	CB 5/16"- 18 X 3/4" SS	3
18	H-74430	CB 5/16"- 18 X 1" SS	4
19	H-NJ04C	JNYL 1/4" - 20 SS	1
20	M-92391A044	HAIRPIN, 5/16" - 3/8" X 1-7/16" S/S	1
21	M-9307K23	GROMMET .625 DIAMETER HOLE .125 THICK PANEL	1



Item	Part No.	Part Description	Qty.	Item	Part No.	Part Description	Qty.
1			2	31	H-25382	SETSCREW, KCP, 1/4"-20 X 1/2"	8
2	175-2700	NEG INSULATOR POST (BLACK)	1	32	H-37038	JNYL 5/8"- 11	2
3	175-2710	POS INSULATOR POST (RED)	1	33	H-70003	HCS 1/4"-20 X 3/4" SS	4
4	175-9585	LIFT ARM CENTER BRACKET	1	34	H-70858	NYLOK #10-32 SS	6
5	175-9592	LATERAL ARM, CYLINDRICAL	2	35	H-70860	NYLOK 1/4"- 20 SS	24
6	21-1127	ROLLER	6	36	H-70861	NYLOK 5/16"- 18 SS	22
7	253-9003	QUICK DISCONNECT BRACKET	1	37	H-70889	HOLE PLUG 7/8"	2
8	260-9020	SIDE SUPPORT	1	38	H-70923	KN #10-32 SS	2
9	264-1139	ROLLER BRACKET (RH)	1	39	H-71015	FW 5/16 ID X 3/4 OD SS	12
10	264-1140	ROLLER BRACKET (LH)	1	40	H-71016	FW 5/16 ID X 7/8 OD SS	2
11	264-8215	TIMING SPROCKET 26 TOOTH	2	41	H-71017	FW 3/8 ID X 7/8 OD SS	10
12	264-8225	TIMING SPROCKET 56 TOOTH	2	42	H-72554	PPH #10-32 X 1-1/2"	2
13	264-8230	HI-PERFORMANCE PD PLUS BELT	2	43	H-72556	PPH #10-32 X 2" SS	4
14	264-9002	MOTOR ADJ BRACKET	2	44	H-72682	FHP #10-32 X 1/2" SS	8
15	264-9580	LIFT ARM CROSS BAR	1	45	H-73459	SHCS 1/4-20 X 1/2 SS	6
16	300-4030	LEVEL	2	46	H-73777	BHSCS 5/16-18 X 1/2"	2
17	370-1247	BUSHING 5/16 X 1/2 X 3/16	4	47	H-74417	CB 1/4"- 20 X 5" SS	2
18	370-8240A	BEARING HOUSING/BEARING	2	48	H-74418	CB 1/4"- 20 X 5/8" S/S	20
19	370-8373	CYLINDRICAL DRIVER SEAL	2	49	H-74419	CB 1/4"- 20 X 7.5" SS	4
20	4-446	GROMMET-3/8 ID X 1-1/2 OD X .375	6	50	H-74429	CB 5/16"- 18 X 3/4" SS	8
21	600-8370	SPIRAL CYLINDRICAL DRIVER	2	51	H-74430	CB 5/16"- 18 X 1" SS	6
22	650-6021	SIDE SUPPORT (RH)	2	52	H-74431	CB 5/16"- 18 X 1-1/4" SS	4
23	650-8029	SQ. SOLUTION FEED TUBE (29")	1	53	H-74432	CB 5/16"- 18 X 1-1/2" SS	4
24	650-9004	MOTOR SPACER	2	54	H-90895	WASHER, SERRATED BELLEVILLE, 3/8", S/S	8
25	650-9020	SIDE SUPPORT	1	55	H-K14320	3/16" X 1 1/4" KEY	2
26	8-00	8.00" ADJUSTABLE LATERAL ARM	2	56	H-NJ04C	JNYL 1/4" - 20 SS	7
27	H-01125	3/16" X 1" KEY	2	57	M-92865A214	HCS 3/8"-24 X 7/8" SS	8
28	H-0171004	JNYL 3/8- 24 SS	2	58	M-9565K51	1.0 X 1.0 SQ TUBE PLUG	2
29	H-0953152	3/16" X 3/4" KEY	2	59	T-02586000	BULK 1/4" X 5' BLUE ZERO HOSE	1
30	H-11333	HB 5/8"- 11 X 10"	2	60	T-050R6000	BULK 1/2" X 5' WIRE REINFORCED SOLUTION HOSE	1

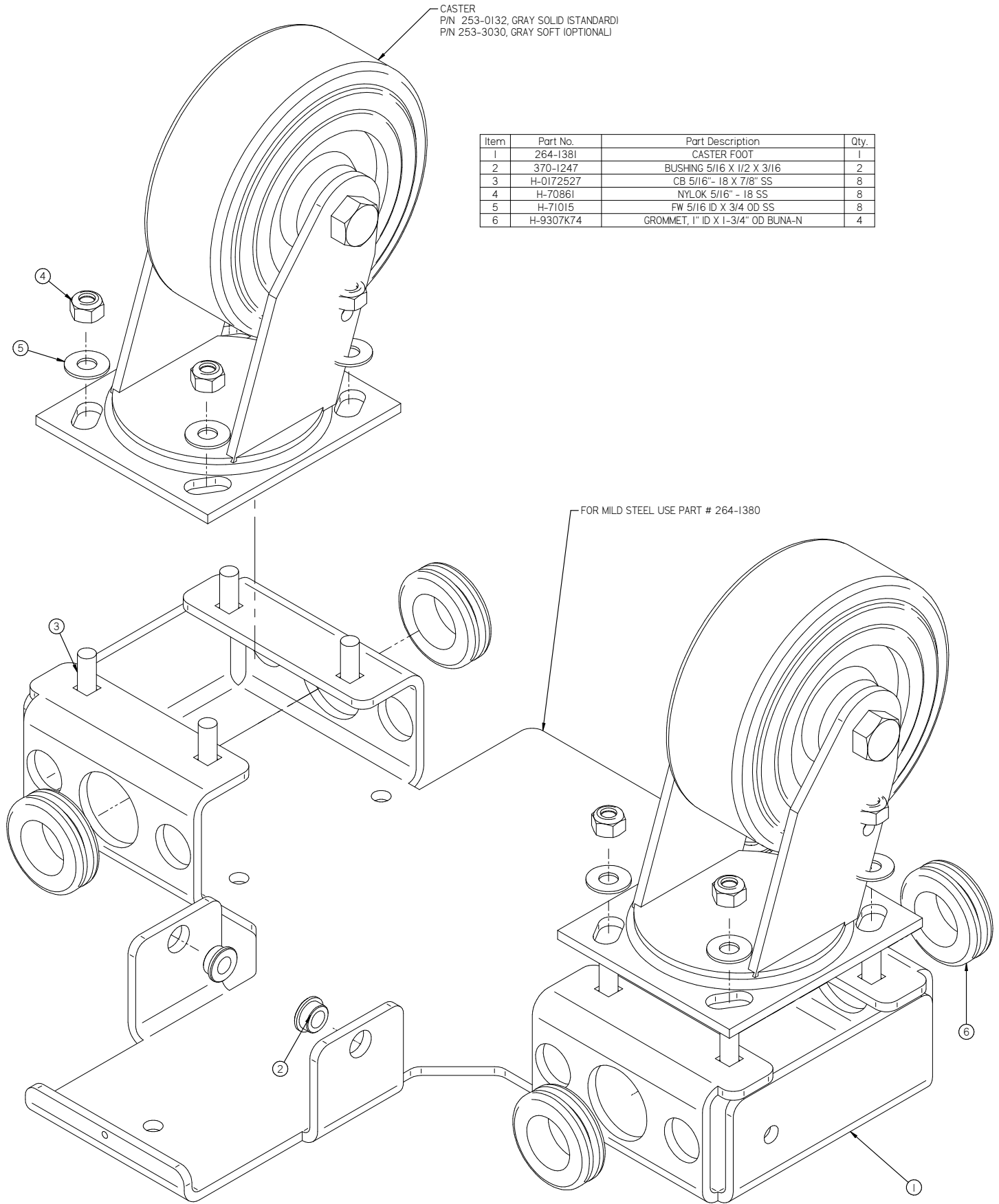
Cylindrical Drive Assembly



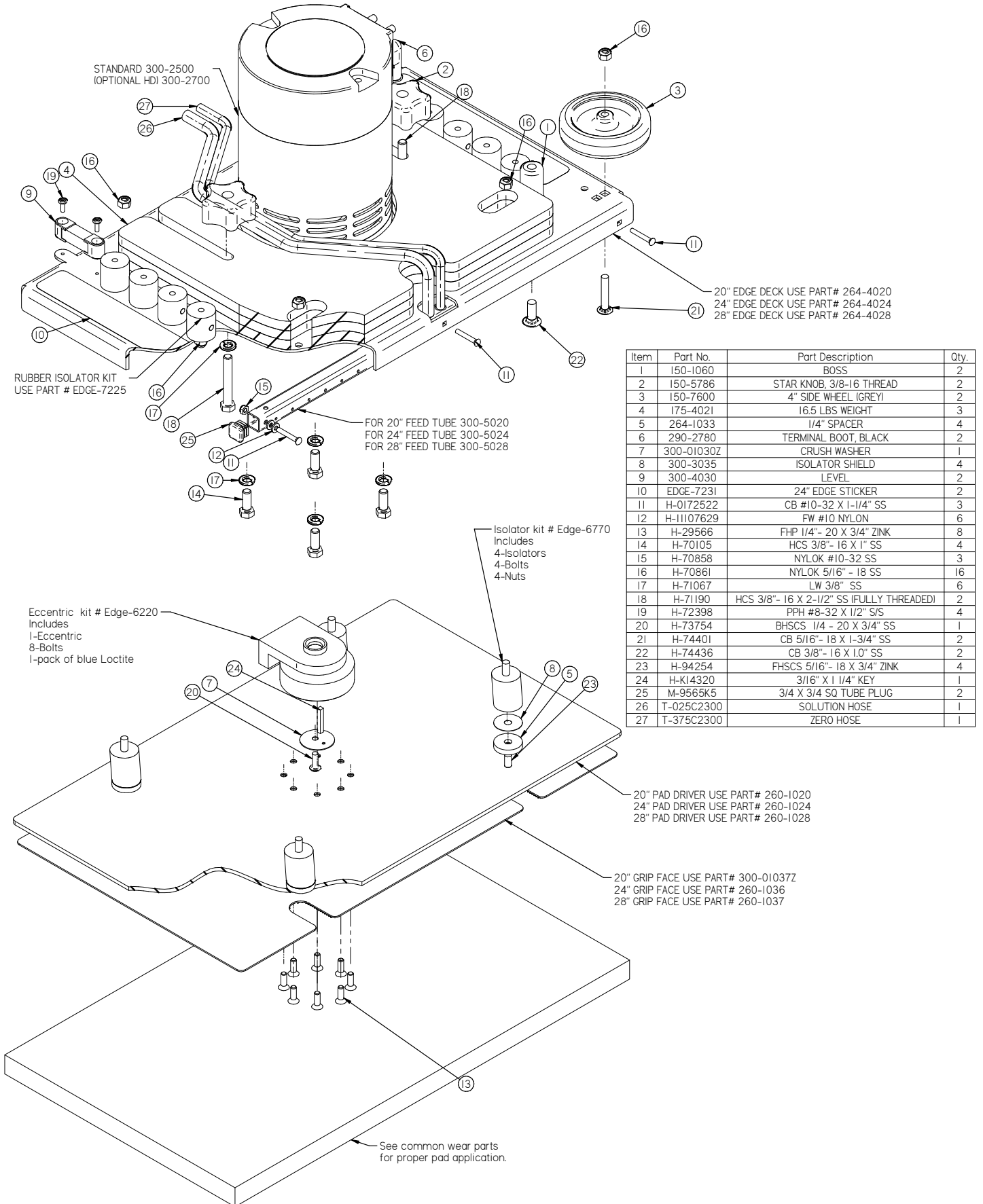


Item	Part No.	Part Description	Qty.
1	264-9015	WIPER BAND	1
2	370-8241A	IDLER DRIVE BEARING	1
3	370-8373	CYLINDRICAL DRIVER SEAL	1
4	5-100	GROMMET	1
5	5-130	DOOR LATCH	1
6	600-8371	CYLINDRICAL DRIVER (HARDCOAT)	1
7	650-6022	DRIVE COVER (SSI)	1
8	H-0171004	JNYL 3/8- 24 SS	1
9	H-0953152	3/16" X 3/4" KEY	1
10	H-71017	FW 3/8 ID X 7/8 OD SS	1
11	H-72682	FHP #10-32 X 1/2" SS	4
12	H-74419	CB 1/4"- 20 X .75" SS	3
13	H-NJ04C	JNYL 1/4" - 20 SS	3

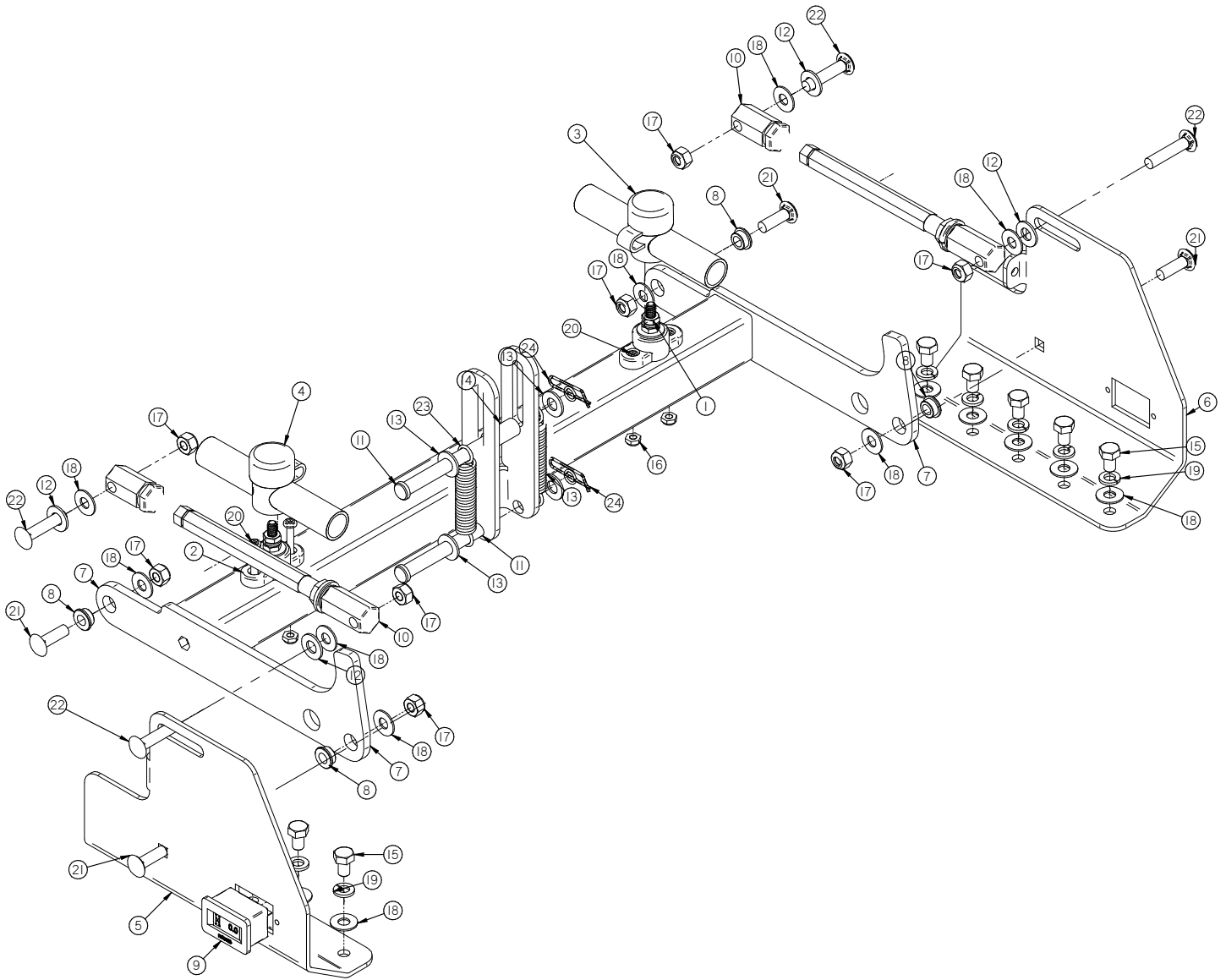
Caster Foot Assembly



Item	Part No.	Part Description	Qty.
1	264-1381	CASTER FOOT	1
2	370-1247	BUSHING 5/16 X 1/2 X 3/16	2
3	H-0172527	CB 5/16" - 18 X 7/8" SS	8
4	H-70861	NYLOK 5/16" - 18 SS	8
5	H-71015	FW 5/16 ID X 3/4 OD SS	8
6	H-9307K74	GROMMET, 1" ID X 1-3/4" OD BUNA-N	4



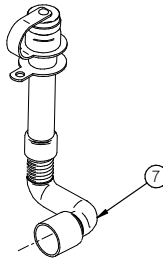
ORBITAL Lifting Bracket



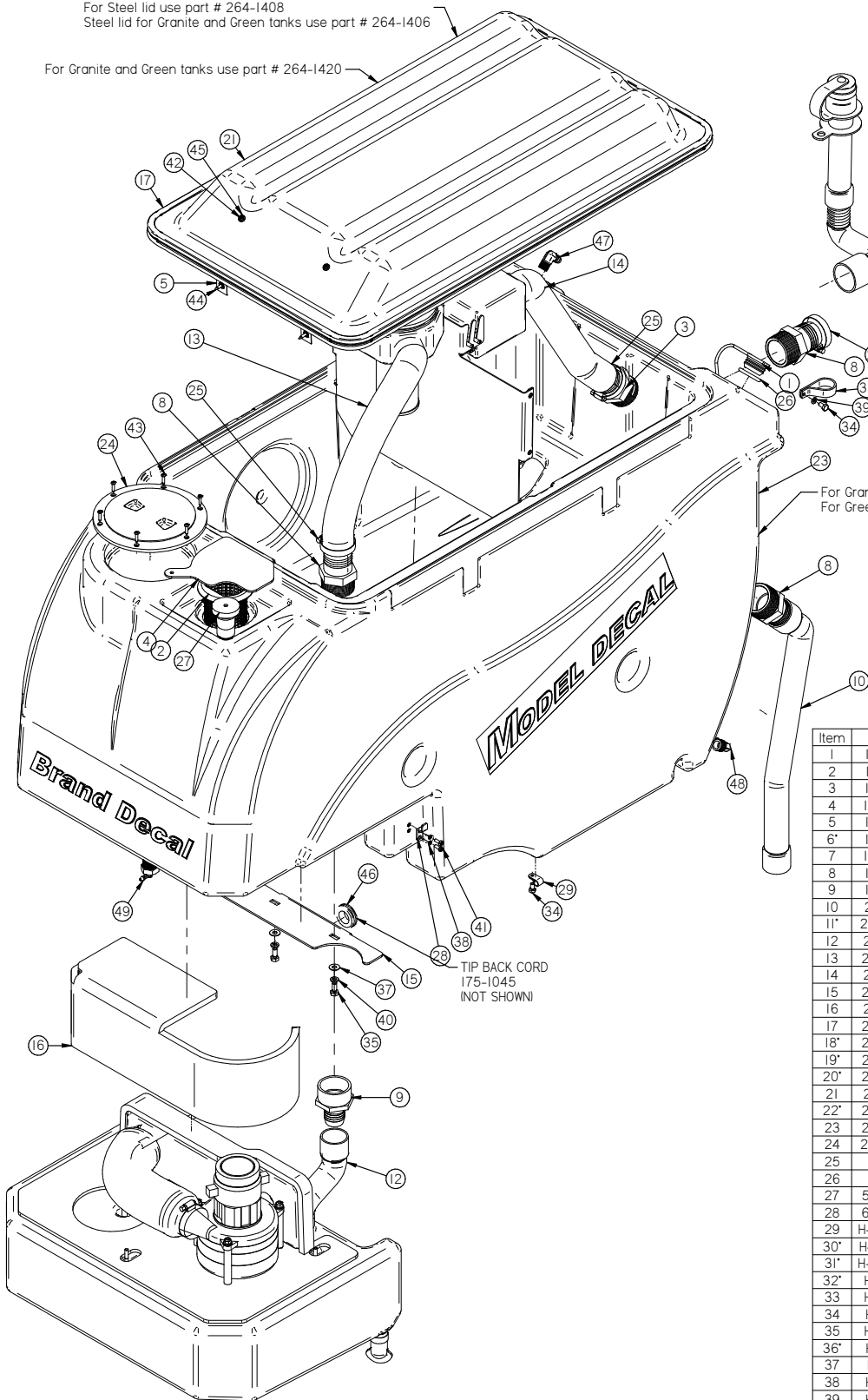
Item	Part No.	Part Description	Qty.
1	175-2700	NEG INSULATOR POST (BLACK)	1
2	175-2710	POS INSULATOR POST (RED)	1
3	175-2780	BLACK INSULATOR BOOT	1
4	175-2790	RED INSULATOR BOOT	1
5	264-9080	(LH) DECK LIFTING BRACKET	1
6	264-9081	(RH) DECK LIFTING BRACKET	1
7	264-9586	SCRUBDECK LIFT ARM, DISK	1
8	370-1247	BUSHING 5/16 X 1/2 X 3/16	4
9	8-262	HOUR METER	1
10	9-25	9.25" ADJUSTABLE LATERAL ARM	2
11	H-0156758	3/8" X 3-1/2" CLEVIS PIN	2
12	H-4440024	FW 3/8" X 3/4" NYLON	4
13	H-4440024	FW 3/8" X 3/4" NYLON	4
14	H-63917	SLEEVE, .50 OD X .375 ID X 1.0 LG	1
15	H-70051	HCS 5/16" - 18 X 1/2"	10
16	H-70858	NYLOK #10-32 SS	4
17	H-70861	NYLOK 5/16" - 18 SS	8
18	H-71015	FW 5/16 ID X 3/4 OD SS	18
19	H-71065	LW 5/16" SS	10
20	H-72556	PPH #10-32 X 2" SS	4
21	H-74430	CB 5/16" - 18 X 1" SS	4
22	H-74432	CB 5/16" - 18 X 1-1/2" SS	4
23	H-9628K8	SPRING, 3-1/4" LG X 9/16" OD (42E)	2
24	H-RUE14	3/8" RUE RING COTTER	2

For Steel lid use part # 264-1408
 Steel lid for Granite and Green tanks use part # 264-1406

For Granite and Green tanks use part # 264-1420



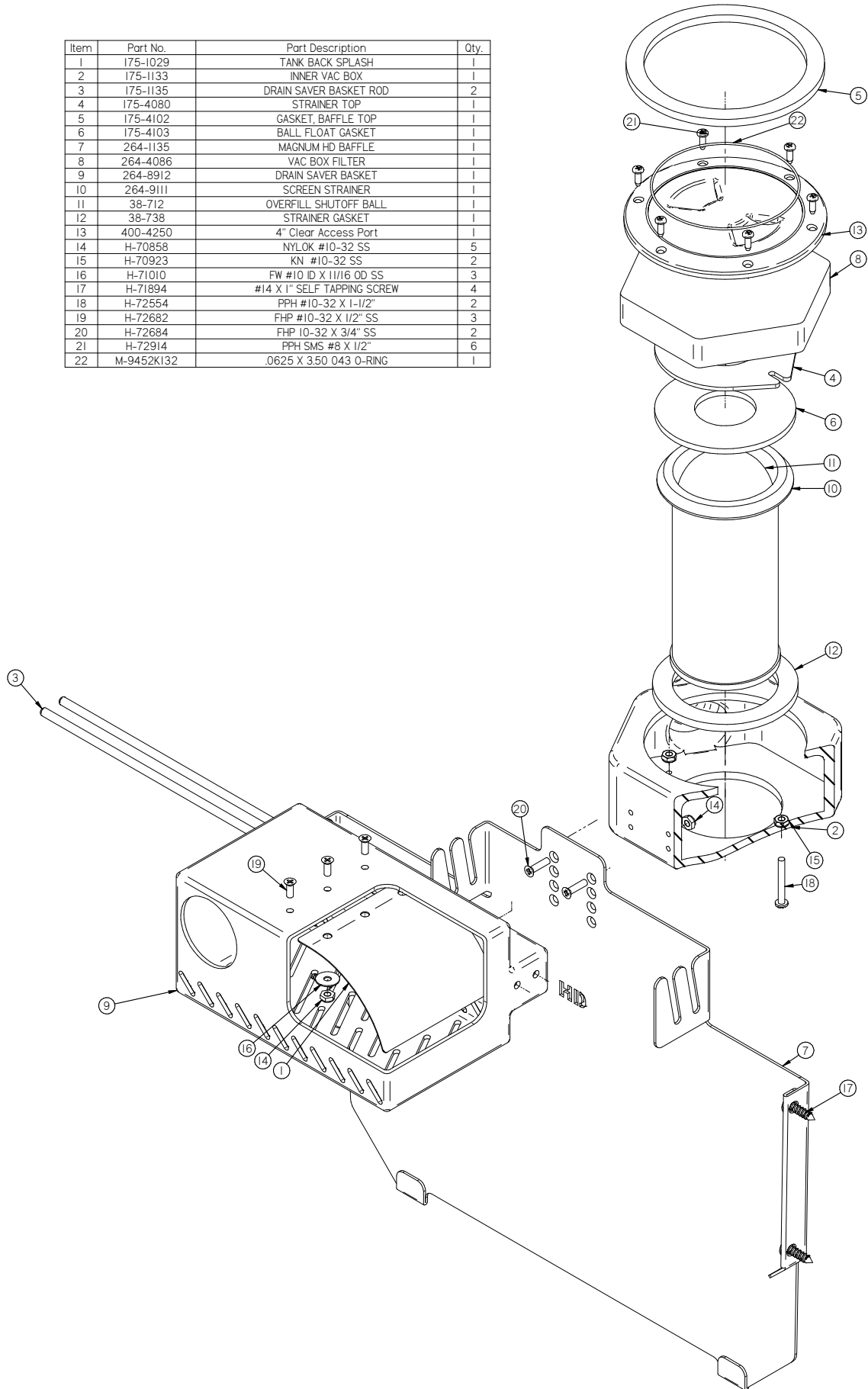
For Granite tank use part # 264-5150
 For Green tank use part # 264-5152



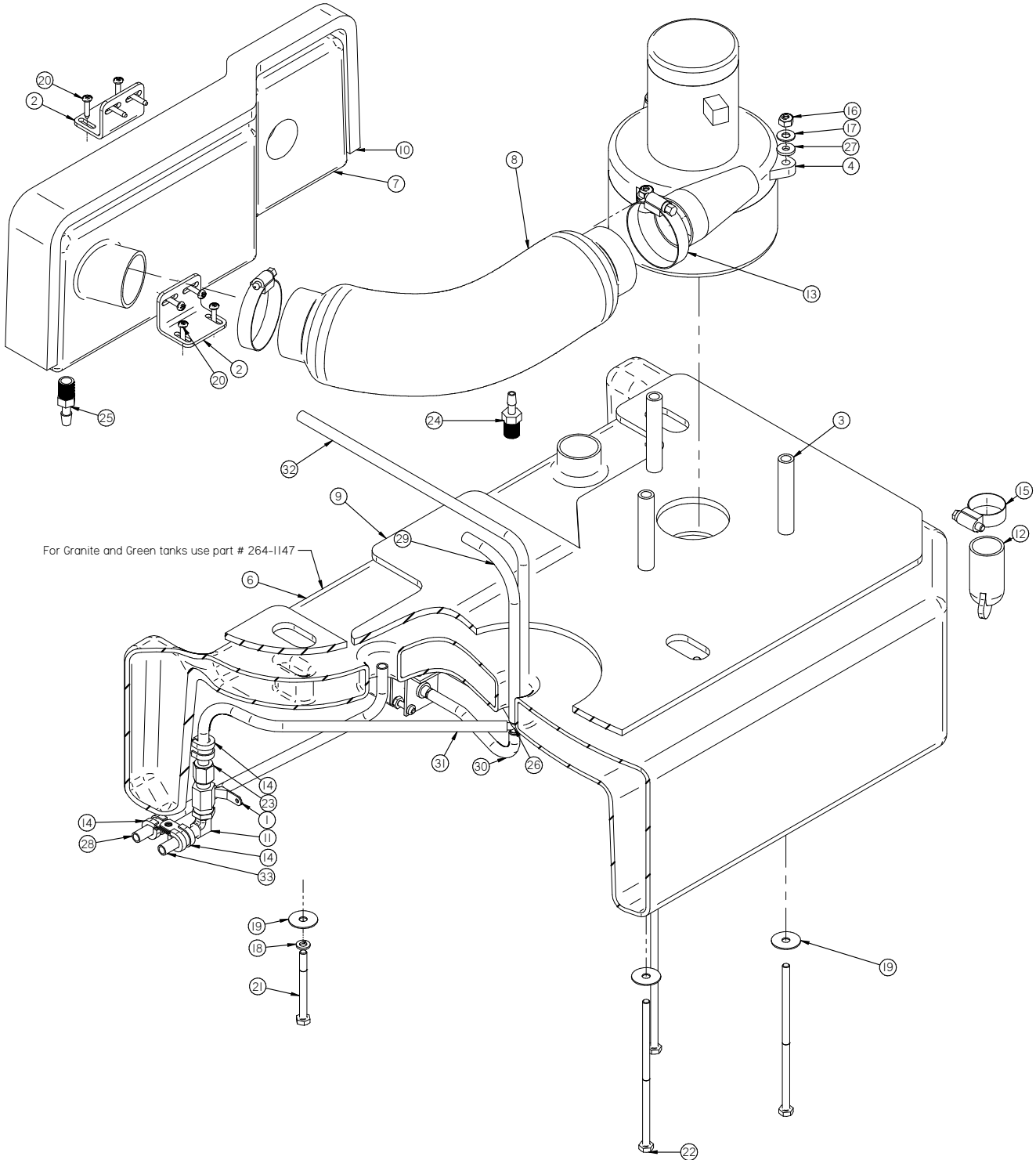
Item	Part No.	Part Description	Qty.
1	170-7211	1-1/2 HOSE CAP	1
2	170-8911	SCREEN STRAINER, 4-1/4" LG	1
3	175-1210	2.0" MNPT X 2.0" BARB, PVC CHAMFERED ID	1
4	175-1229	SPLASH CURTAIN	1
5	175-1412	TANK LID STRAP W/GROMMETS	2
6	175-1412	TANK LID STRAP W/GROMMETS	2
7	175-7210	DRAIN HOSE	1
8	190-1210	2.0" MNPT X 2.0" BARB, PVC	3
9	190-1215	2.0" MNPT X 1.50" BARB, PVC	1
10	253-0111	SQUEEGEE HOSE	1
11	260-3004	BATTERY PLATE	1
12	264-0115	BANDEAU TO TANK HOSE	1
13	264-0120	CLEAN AIR INTAKE HOSE	1
14	264-0121	INNER TANK HOSE	1
15	264-1039	TANK STRAP BRACKET	1
16	264-1137	VAC MOTOR INSULATION	1
17	264-1402	PUSH-ON RUBBER GASKET	1
18	264-1405	KICKSTAND	1
19	264-1408	HERO STEEL LID (35/37 GAL)	1
20	264-1409	TANK LID BRACKET	1
21	264-1410	VAC FORMED SMOKED COVER	1
22	264-4100	BATTERY CABLE GUARD	1
23	264-4140	MAGNUM SOL/REC TANK	1
24	264-7425	TANK SCREW ON LID	1
25	5-719	CLAMP 1 9/16 - 2 1/2" SS	3
26	5-8290	O-RING, #324, 1.35" X 1.77" X .210" BUNA-N	1
27	500-1380	FILL HOSE	1
28	600-1240	600-1240 clip.psm	2
29	H-0127288	#6 3/8" RUBBER LOOP CLAMP	1
30	H-0129155	JNYL #10-32, 18-8 S/S	2
31	H-0172526	CB 5/16" - 18 X 5/8" SS	1
32	H-25444	SB 5/16" X 3/8" SS	1
33	H-3225T	RUBBER LOOP CLAMP, 1-1/2"	1
34	H-70001	HCS 1/4"-20 X 1/2" SS"	2
35	H-70053	HCS 5/16" - 18 X 3/4" SS	2
36	H-70861	NYLOK 5/16" - 18 SS	2
37	H-71015	FW 5/16 ID X 3/4 OD SS	2
38	H-71059	LW #10, SS	4
39	H-71063	LW 1/4" SS	2
40	H-71065	LW 5/16" SS	2
41	H-72515	PPH #10-32 X 1/2" S/S	4
42	H-72534	PPH #10-32 X 3/4" S/S	2
43	H-72916	PPH SMS #8 X 3/4" SS	6
44	H-72916	PPH SMS #8 X 3/4" SS	2
45	H-90133	.17 ID X .5 OD X .093 NEOPRENE WASHER	4
46	H-9307K74	GROMMET, 1" ID X 1-3/4" OD BUNA-N	1
47	M-53525K21	ELBOW, 3/8" MNPT X 1/2" BARB, BRASS	1
48	M-53525K58	ELBOW, 1/2" MNPT X 1/2" BARB, BRASS	2
49	M-5463K496	.75 NPT X .25 BARBED X 90 DEG.par	1

Standard XL Tank - Drain Saver, Vac Box, Baffle Assembly

Item	Part No.	Part Description	Qty.
1	175-1029	TANK BACK SPLASH	1
2	175-1133	INNER VAC BOX	1
3	175-1135	DRAIN SAVER BASKET ROD	2
4	175-4080	STRAINER TOP	1
5	175-4102	GASKET, BAFFLE TOP	1
6	175-4103	BALL FLOAT GASKET	1
7	264-1135	MAGNUM HD BAFFLE	1
8	264-4086	VAC BOX FILTER	1
9	264-8912	DRAIN SAVER BASKET	1
10	264-9111	SCREEN STRAINER	1
11	38-712	OVERFILL SHUTOFF BALL	1
12	38-738	STRAINER GASKET	1
13	400-4250	4" Clear Access Port	1
14	H-70858	NYLOK #10-32 SS	5
15	H-70923	KN #10-32 SS	2
16	H-71010	FW #10 ID X 11/16 OD SS	3
17	H-71894	#14 X 1" SELF TAPPING SCREW	4
18	H-72554	PPH #10-32 X 1-1/2"	2
19	H-72682	FHP #10-32 X 1/2" SS	3
20	H-72684	FHP 10-32 X 3/4" SS	2
21	H-72914	PPH SMS #8 X 1/2"	6
22	M-9452K132	.0625 X 3.50 043 O-RING	1



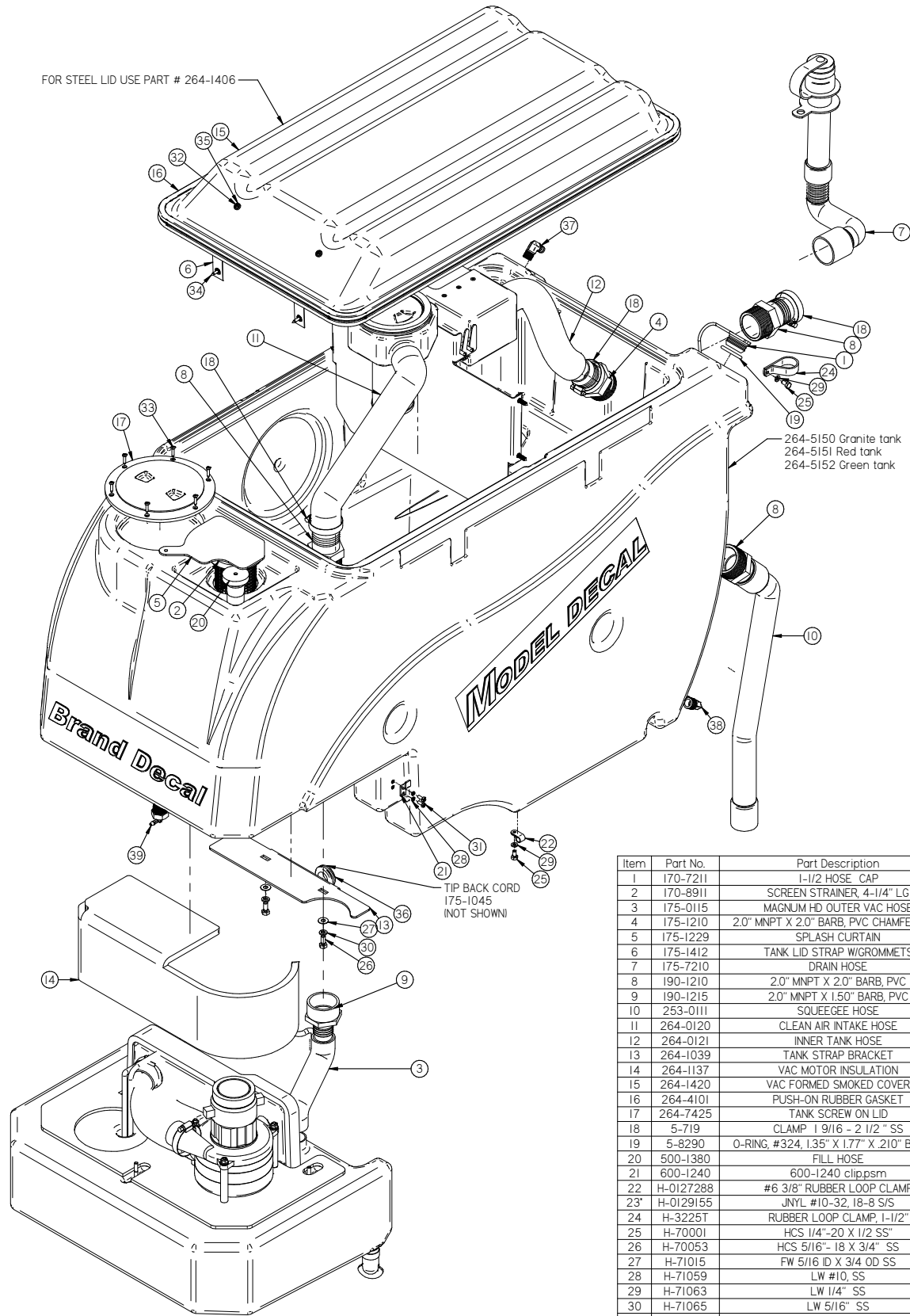
Standard XL Tank - Vacuum Bandeau Assembly



For Granite and Green tanks use part # 264-1147

Item	Part No.	Part Description	Qty.	Item	Part No.	Part Description	Qty.
1	170-4158	1/4" NPT VALVE	1	18	H-71063	LW 1/4" SS	3
2	175-1129	VAC MUFFLER BRACKET	2	19	H-71212	FNW 1/4 ID X 1.0 OD SS	6
3	175-2600	SPACER, 3.0" LG	3	20	H-72916	PPH SMS #8 X 3/4" SS	8
4	175-5250	VAC MOTOR, 3/4 HP, TANGENTIAL	1	21	H-77014	HCS 1/4" - 20 X 2.75" SS	3
5*	253-8500	SOAP PUMP, 24V	1	22	H-77025	HCS 1/4" - 20 X 6.0" SS	3
6	264-1147	BANDEAU VAC BOX	1	23	M-5346K51	.25 NPTF X .125 BRASS BARBED HOSE FITTING	1
7	264-1148	VAC MUFFLER WALL	1	24	M-5463K439	.25 NPT X .125 BARB	1
8	264-2502	MAGNUM-XL MUFFLER	1	25	M-5463K445	.25 NPT X .25 BARB	1
9	264-3002	35/37GA VAC MOTOR GASKET	1	26	M-5463K606	1/4" X 1/4" PLASTIC BARBED TEE	1
10	264-7421	SOUND PROFFING	1	27	M-90130A029	.25" NEOPRENE WASHER	3
11	290-4149	1/4" NPT X 1/4" BARB X 90 DEG	1	28	T-025B6000	BULK 1/4" X 5' BLUE VAC DRAIN HOSE	1
12	390-1505	LOADER VALVE	1	29	T-025C6000	BULK 1/4" X 5' CLEAR SUDS HOSE	1
13	5-719	CLAMP 1 9/16 - 2 1/2" SS	2	30	T-025C6000	BULK 1/4" X 5' CLEAR SUDS HOSE	1
14	H-0127290	1/2" LOOP CLAMP	3	31	T-025C6000	BULK 1/4" X 5' CLEAR SUDS HOSE	1
15	H-62005	CLAMP 5/8" - 1-1/2" SS	1	32	T-025C6000	BULK 1/4" X 5' CLEAR SUDS HOSE	1
16	H-70860	NYLOK 1/4" - 20 SS	3	33	T-025G6000	BULK 1/4" X 5' GREEN SUDS DRAIN HOSE	1
17	H-71013	FW 1/4 ID X 5/8 OD SS	3				

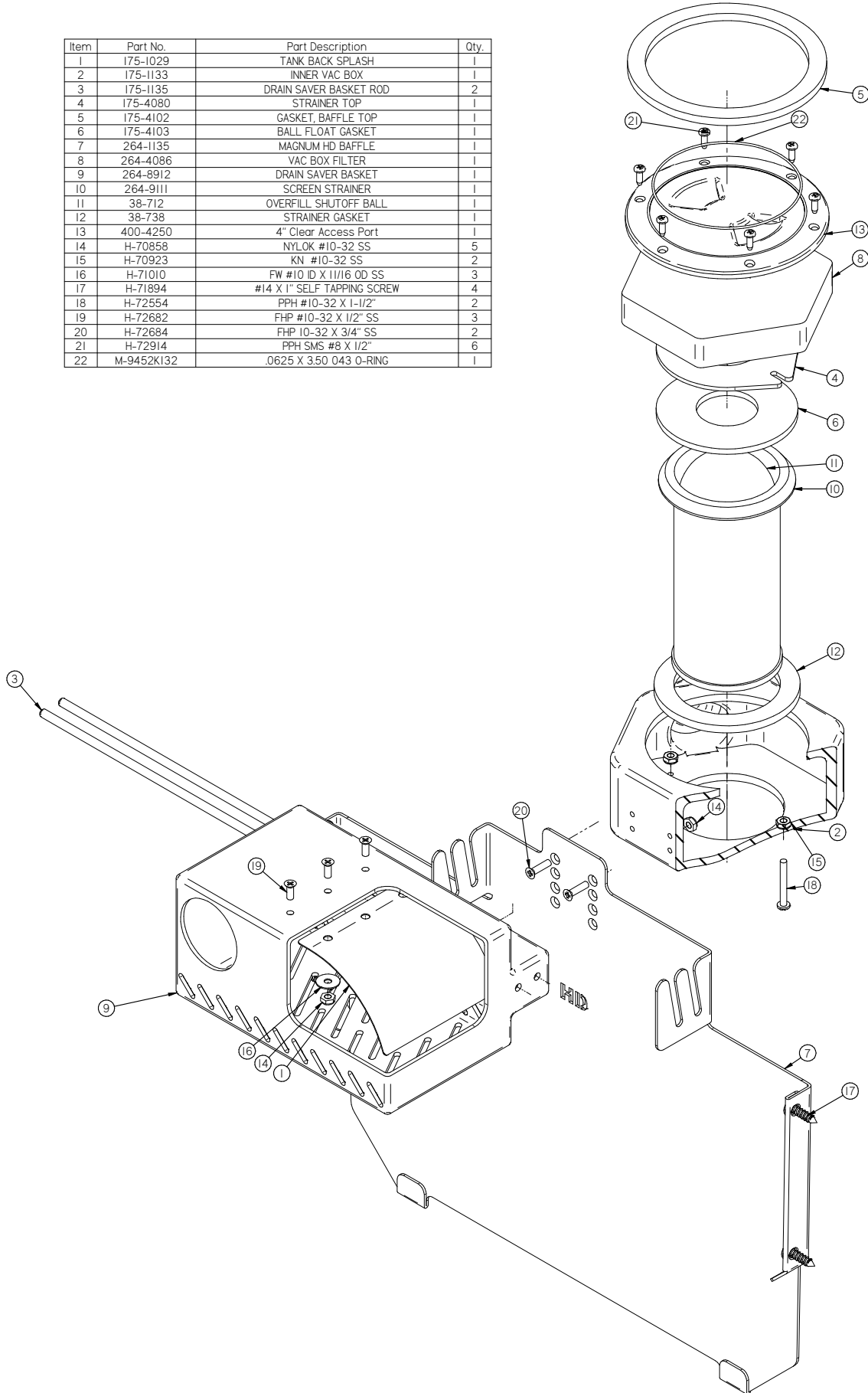
Small Tank Assembly



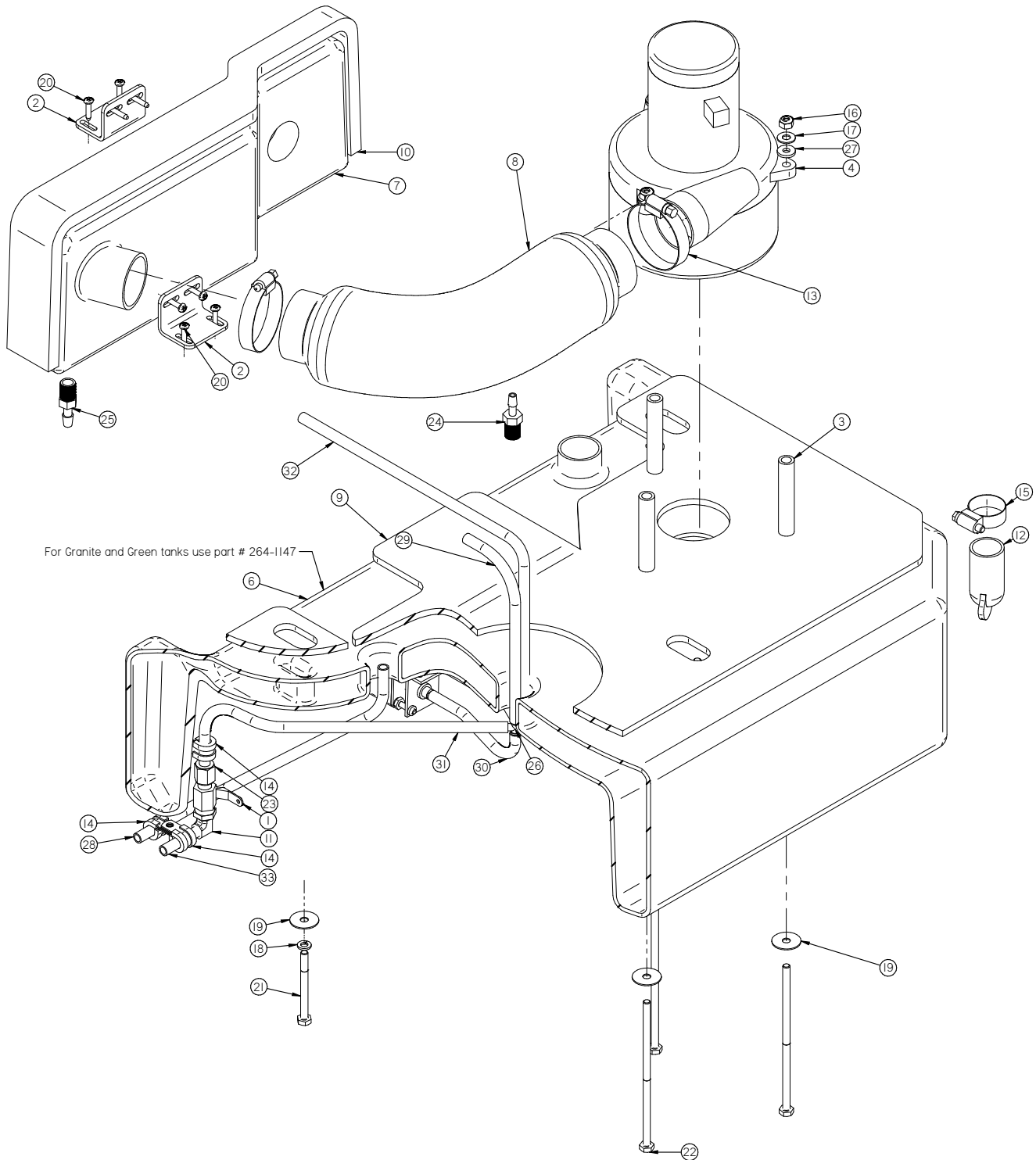
Item	Part No.	Part Description	Qty.
1	170-7211	1-1/2 HOSE CAP	1
2	170-8911	SCREEN STRAINER, 4-1/4" LG	1
3	175-0115	MAGNUM HD OUTER VAC HOSE	1
4	175-1210	2.0" MNPT X 2.0" BARB, PVC CHAMFERED ID	1
5	175-1229	SPLASH CURTAIN	1
6	175-1412	TANK LID STRAP W/GROMMETS	2
7	175-7210	DRAIN HOSE	1
8	190-1210	2.0" MNPT X 2.0" BARB, PVC	3
9	190-1215	2.0" MNPT X 1.50" BARB, PVC	1
10	253-0111	SQUEEGEE HOSE	1
11	264-0120	CLEAN AIR INTAKE HOSE	1
12	264-0121	INNER TANK HOSE	1
13	264-1039	TANK STRAP BRACKET	1
14	264-1137	VAC MOTOR INSULATION	1
15	264-1420	VAC FORMED SMOKED COVER	1
16	264-4101	PUSH-ON RUBBER GASKET	1
17	264-7425	TANK SCREW ON LID	1
18	5-719	CLAMP 1 9/16 - 2 1/2" SS	3
19	5-8290	O-RING, #324, 1.35" X 1.77" X .210" BUNA-N	1
20	500-1380	FILL HOSE	1
21	600-1240	600-1240 clippsm	2
22	H-0127288	#6 3/8" RUBBER LOOP CLAMP	1
23	H-0129155	JNYL #10-32, 18-8 S/S	2
24	H-3225T	RUBBER LOOP CLAMP, 1-1/2"	1
25	H-70001	HCS 1/4"-20 X 1/2 SS"	2
26	H-70053	HCS 5/16"- 18 X 3/4" SS	2
27	H-71015	FW 5/16 ID X 3/4 OD SS	2
28	H-71059	LW #10, SS	4
29	H-71063	LW 1/4" SS	2
30	H-71065	LW 5/16" SS	2
31	H-72515	PPH #10-32 X 1/2" S/S	4
32	H-72534	PPH #10-32 X 3/4" S/S	2
33	H-72916	PPH SMS #8 X 3/4" SS	6
34	H-72916	PPH SMS #8 X 3/4" SS	2
35	H-90133	.17 ID X .5 OD X .093 NEOPRENE WASHER	4
36	H-9307K74	GROMMET, 1" ID X 1-3/4" OD BUNA-N	1
37	M-53525K21	ELBOW, 3/8" MNPT X 1/2" BARB, BRASS	1
38	M-53525K58	ELBOW, 1/2" MNPT X 1/2" BARB, BRASS	2
39	M-5463K496	.75 NPT X .25 BARBED X 90 DEG.par	1

Small Tank - Drain Saver, Vac Box, Baffle Assembly

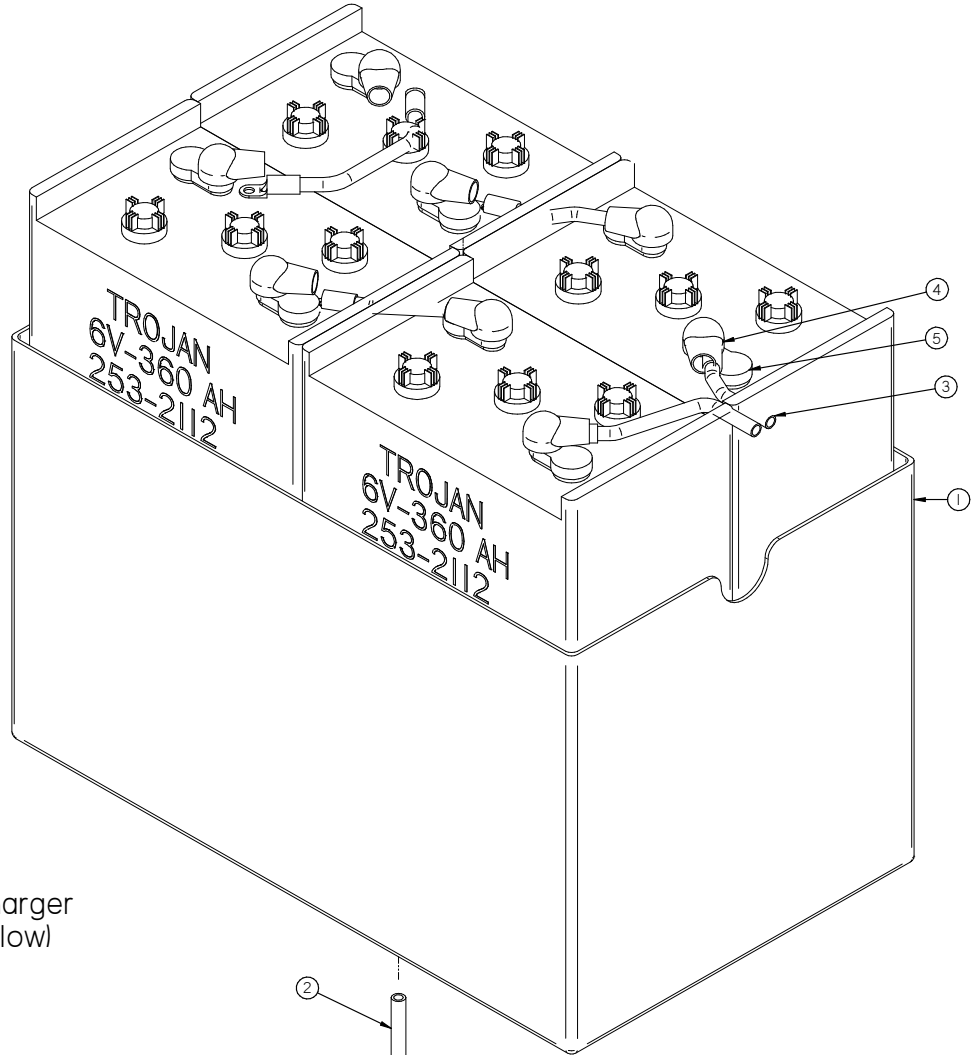
Item	Part No.	Part Description	Qty.
1	175-1029	TANK BACK SPLASH	1
2	175-1133	INNER VAC BOX	1
3	175-1135	DRAIN SAVER BASKET ROD	2
4	175-4080	STRAINER TOP	1
5	175-4102	GASKET, BAFFLE TOP	1
6	175-4103	BALL FLOAT GASKET	1
7	264-1135	MAGNUM HD BAFFLE	1
8	264-4086	VAC BOX FILTER	1
9	264-8912	DRAIN SAVER BASKET	1
10	264-9111	SCREEN STRAINER	1
11	38-712	OVERFILL SHUTOFF BALL	1
12	38-738	STRAINER GASKET	1
13	400-4250	4" Clear Access Port	1
14	H-70858	NYLOK #10-32 SS	5
15	H-70923	KN #10-32 SS	2
16	H-71010	FW #10 ID X 11/16 OD SS	3
17	H-71894	#14 X 1" SELF TAPPING SCREW	4
18	H-72554	PPH #10-32 X 1-1/2"	2
19	H-72682	FHP #10-32 X 1/2" SS	3
20	H-72684	FHP 10-32 X 3/4" SS	2
21	H-72914	PPH SMS #8 X 1/2"	6
22	M-9452K132	.0625 X 3.50 043 O-RING	1



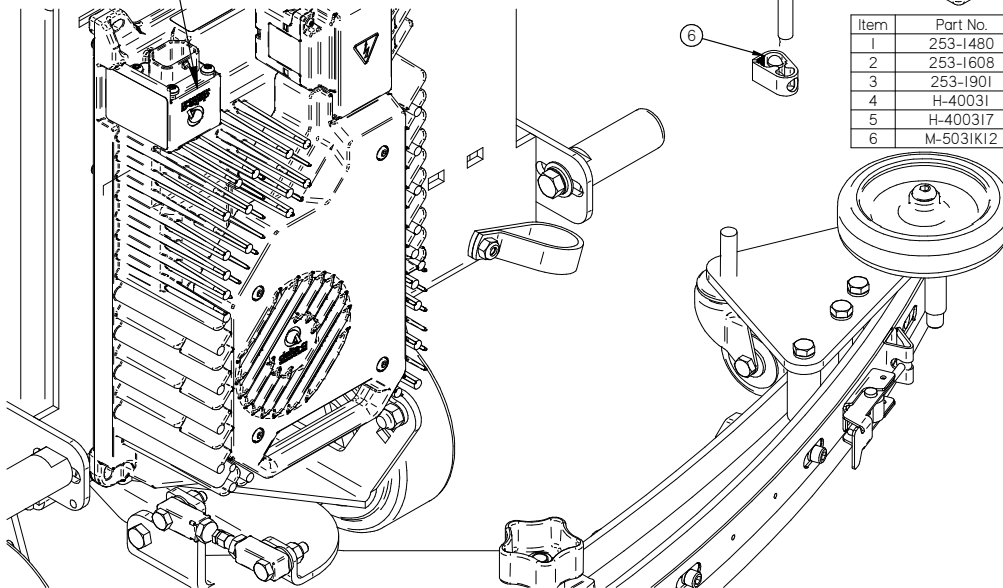
Small Tank - Vacuum Bandeau Assembly



Item	Part No.	Part Description	Qty.	Item	Part No.	Part Description	Qty.
1	170-4158	1/4" NPT VALVE	1	18	H-71063	LW 1/4" SS	3
2	175-1129	VAC MUFFLER BRACKET	2	19	H-71212	FNW 1/4 ID X 1.0 OD SS	6
3	175-2600	SPACER, 3.0" LG	3	20	H-72916	PPH SMS #8 X 3/4" SS	8
4	175-5250	VAC MOTOR, 3/4 HP, TANGENTIAL	1	21	H-77014	HCS 1/4" - 20 X 2.75" SS	3
5*	253-8500	SOAP PUMP, 24V	1	22	H-77025	HCS 1/4" - 20 X 6.0" SS	3
6	264-1147	BANDEAU VAC BOX	1	23	M-5346K51	.25 NPTF X .125 BRASS BARBED HOSE FITTING	1
7	264-1148	VAC MUFFLER WALL	1	24	M-5463K439	.25 NPT X .125 BARB	1
8	264-2502	MAGNUM-XL MUFFLER	1	25	M-5463K445	.25 NPT X .25 BARB	1
9	264-3002	35/37GA VAC MOTOR GASKET	1	26	M-5463K606	1/4" X 1/4" PLASTIC BARBED TEE	1
10	264-7421	SOUND PROFFING	1	27	M-90130A029	.25" NEOPRENE WASHER	3
11	290-4149	1/4" NPT X 1/4" BARB X 90 DEG	1	28	T-025B6000	BULK 1/4" X 5' BLUE VAC DRAIN HOSE	1
12	390-1505	LOADER VALVE	1	29	T-025C6000	BULK 1/4" X 5' CLEAR SUDS HOSE	1
13	5-719	CLAMP 1 9/16 - 2 1/2" SS	2	30	T-025C6000	BULK 1/4" X 5' CLEAR SUDS HOSE	1
14	H-0127290	1/2" LOOP CLAMP	3	31	T-025C6000	BULK 1/4" X 5' CLEAR SUDS HOSE	1
15	H-62005	CLAMP 5/8" - 1-1/2" SS	1	32	T-025C6000	BULK 1/4" X 5' CLEAR SUDS HOSE	1
16	H-70860	NYLOK 1/4" - 20 SS	3	33	T-025G6000	BULK 1/4" X 5' GREEN SUDS DRAIN HOSE	1
17	H-71013	FW 1/4 ID X 5/8 OD SS	3				



On-Board Charger
(See list below)

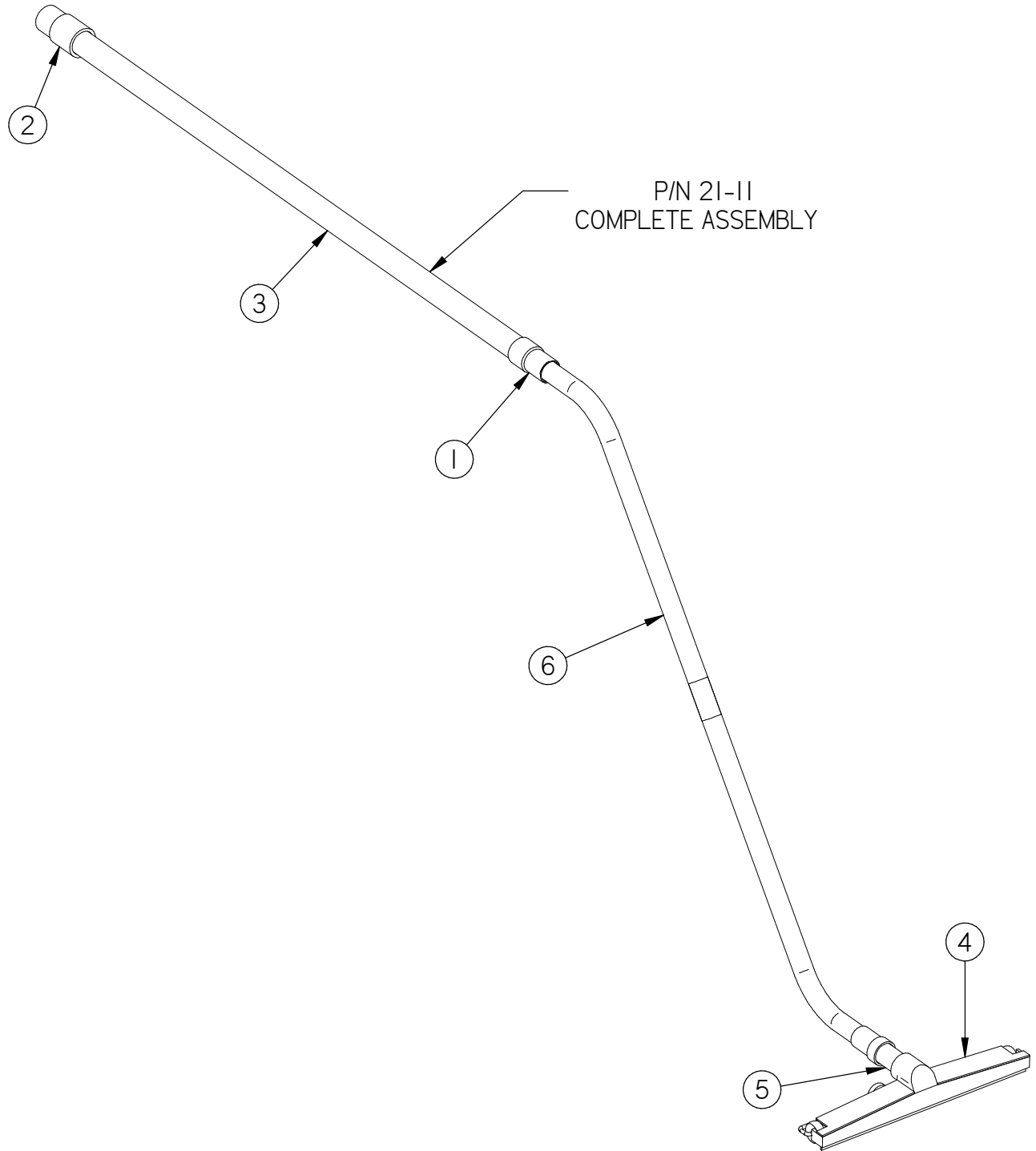


Item	Part No.	Part Description	Qty.
1	253-1480	MAGNUM SERIES BATTERY TRAY	1
2	253-1608	BLACK HOSE, 3-1/4" LG	1
3	253-1901	WIRE HARNESS, COMPLETE	1
4	H-40031	BATTERY BOOT	8
5	H-400317	TERMINAL COVER	8
6	M-5031K12	CLAMP STYLE PINCH VALVE	1

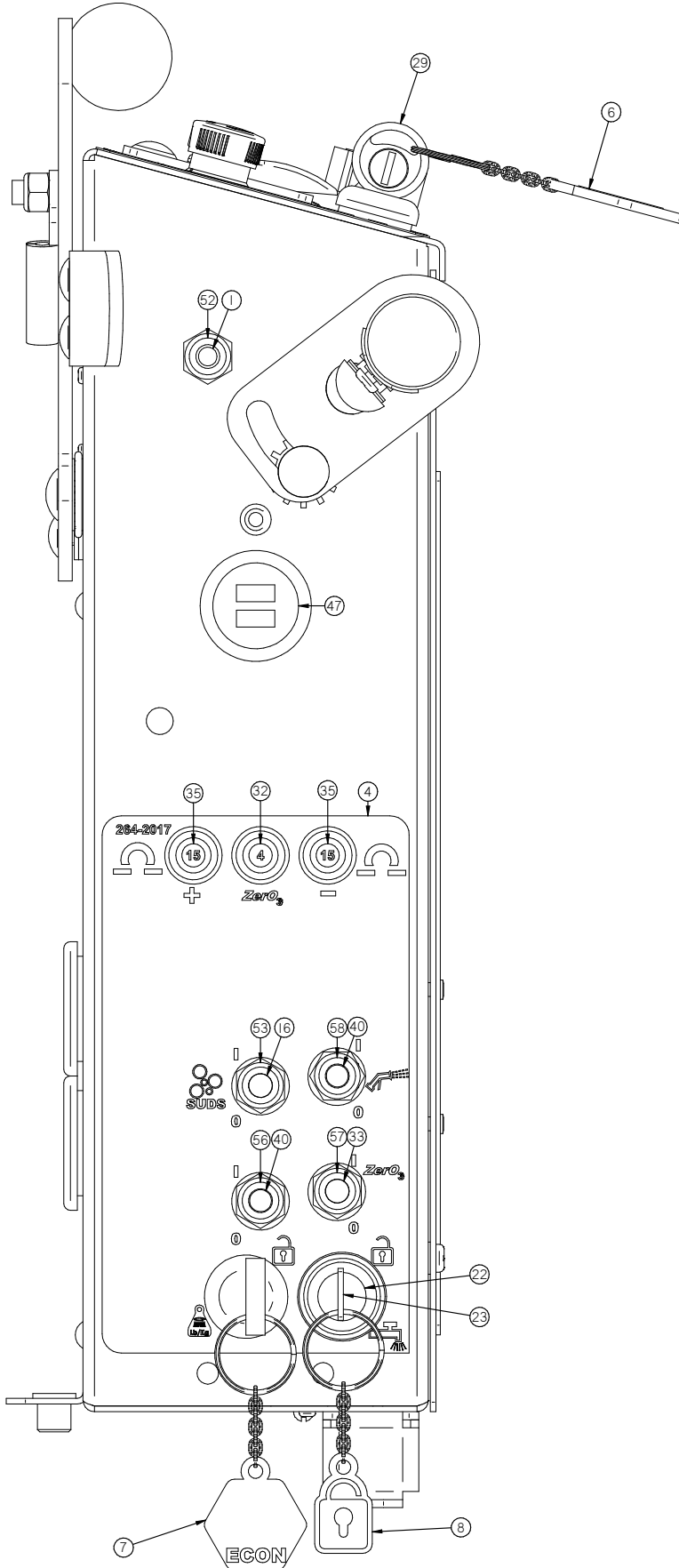
See charger operator manuals for proper programing

WHICH BATTERY CHARGER TO USE WITH BATTERY SELECTION		
Battery Part Number & Description	Off-Board Charger	On-Board Charger
370-211716V, 315 AHl	264-2540	264-2460
253-2112 16V, 360 AHl	264-2540	264-2460
370-2120 16V, 335 AHl	264-2540	264-2460

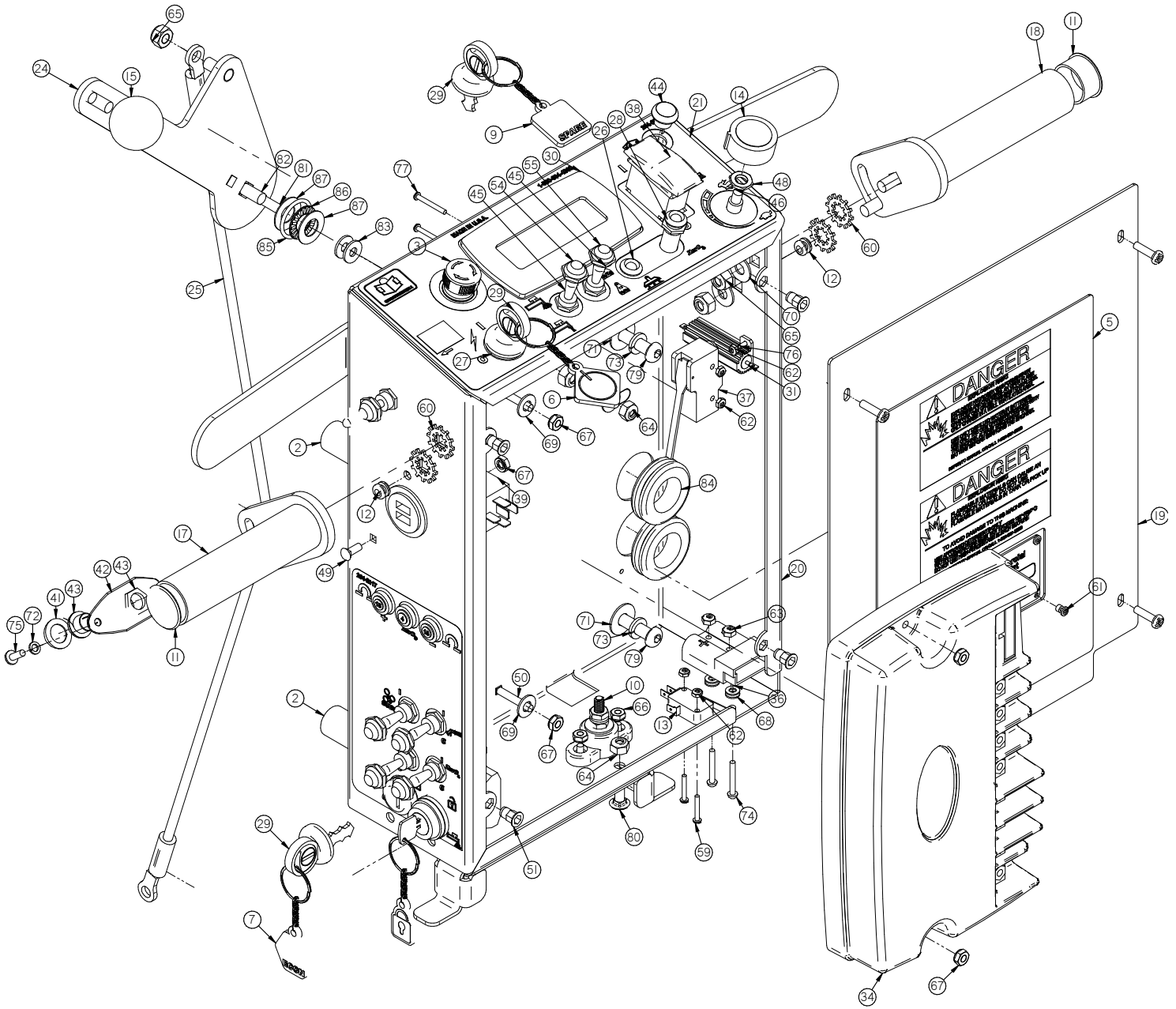
Off-Aisle Vacuum Wand

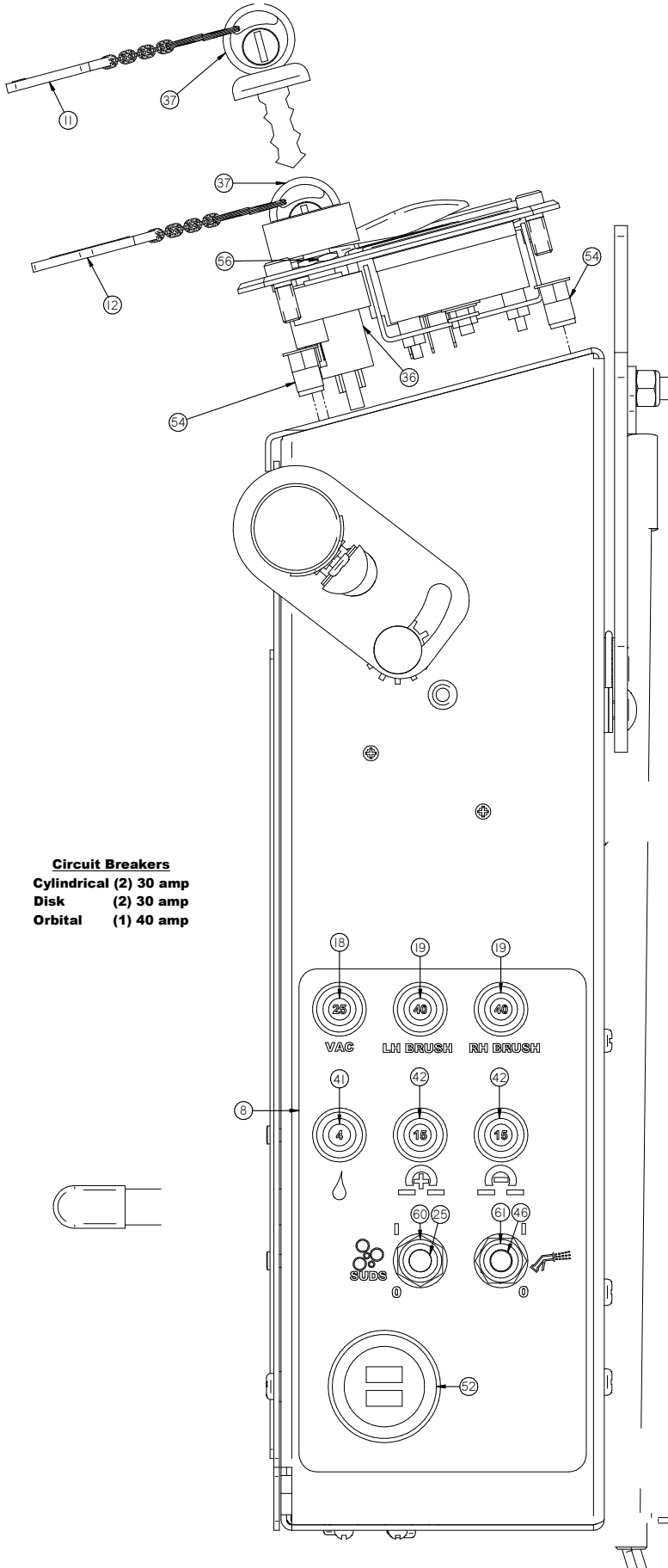


Item	Part No.	Part Description	Qty.
1	21-4072	HOSE CUFF, 1 1/2"	1
2	290-7212	1-1/2" - 2" HOSE CUFF	1
3	5-883	HOSE	1
4	5-889	VACUUM NOZZLE	1
5	7-884	COUPLER, S/S	1
6	7-887	TWO PIECE CHROME VAC WAND	1



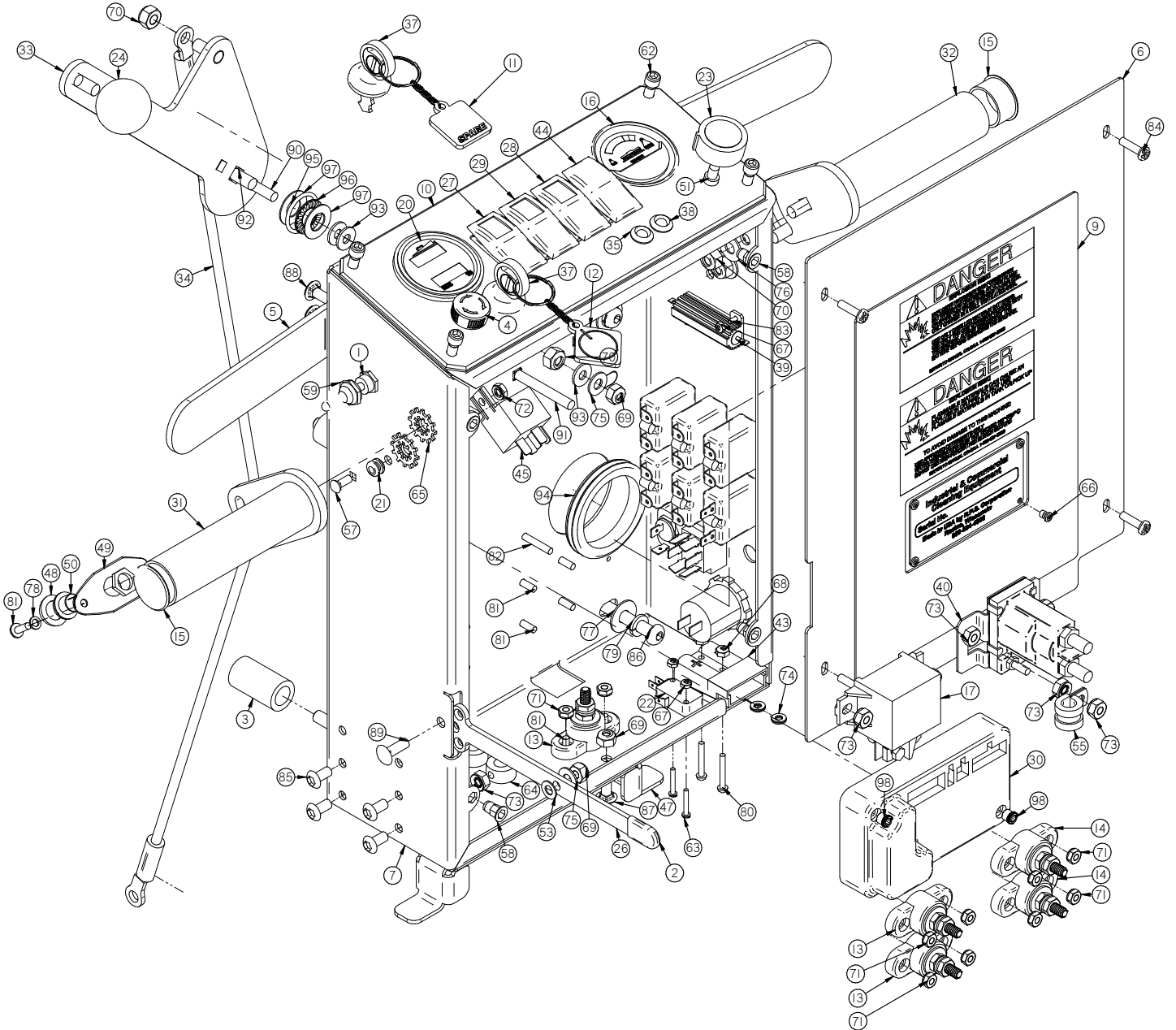
Item	Part No.	Part Description	Qty.
1	150-2830	SWITCH, TOGGLE, MOM/OFF/MOM (DPDT)	1
2	170-2700	SPACER, 1-1/2" LG	4
3	175-0300	Emergency stop switch, 51 series, IC/O	1
4	175-2020	SIDE PANEL STICKER	1
5	175-2020	WARNING STICKER	1
6	175-2352	POWER KEY FOB	1
7	175-2352	ECON KEY FOB	1
8	175-2352	MANAGER LOCK OUT KEY FOB	1
9	175-2352	SPARE KEY FOB	1
10	175-2700	NEG INSULATOR POST (BLACK)	1
11	190-1390	END CAP	2
12	21-2203	GROMMET, RUBBER 3/16 ID X 13/32 OD X 3/32 TH.	2
13	21-2230	MICRO SWITCH	1
14	21-4520	SPEED CONTROL KNOB, RED	1
15	21-7101	LIFT KNOB	1
16	253-283	SWITCH, TOGGLE, ON/OFF/ON (DPDT)	1
17	264-1290	ADJUSTABLE HANDLE BAR, LEFT	1
18	264-1291	ADJUSTABLE HANDLE BAR, RIGHT	1
19	264-2001	CONTROL PANEL COVER	1
20	264-2012	CONTROL PANEL BOX, TRACTION	1
21	264-2016	TOP PANEL STICKER	1
22	264-234	LOCKOUT KEY SWITCH	1
23	264-234A	MANGER LOCK OUT KEY	1
24	264-7100	SQUEEGEE LIFT LEVER	1
25	264-7890	SQUEEGEE LIFT CABLE	1
26	290-2330	RED LIGHT	1
27	290-234	KEY SWITCH (WITH KEY)	2
28	290-2340	GREEN LIGHT	1
29	290-234A	KEY SET (REPLACE)	3
30	290-2891	LCD SCREEN	1
31	290-9581	RESISTER	1
32	349-9604	FUSE, RESETTABLE, 4 AMP, 50V DC MAX	1
33	370-8210	SWITCH, TOGGLE, ON/ON (DPDT)	1
34	390-2899	CONTROLLER V4	1
35	390-9615	FUSE, RESETTABLE, 15 AMP, 50V DC MAX	2
36	4-259	CONNECTOR, RED 50, HOUSING ONLY	1
37	5-223	LIMIT SWITCH	1
38	5-234	SWITCH, ROCKER, DPDT, ON/ON	1
39	5-293	15 AMP RELAY	1
40	5-892	TOGGLE, ON-OFF SPST	2
41	7-227	BUTTON COVER	2
42	7-228	SWITCH MOUNT PLATE	4
43	7-229	PUSH BUTTON SWITCH	4
44	7-229D	PUSH BUTTON SWITCH	1
45	7-283	SWITCH, TOGGLE, MOM/OFF/MOM (DPDT)	2
46	7-292	5K POTENTIOMETER	1
47	700-2590	DUAL USB PORTS	1
48	H-0147994	3/8-32 X 1/2 PANEL NUT	1
49	H-0172518	CB #10-32 X 1/2" SS	1
50	H-0172522	CB #10-32 X 1-1/4" SS	2
51	H-1032HCN	HCN #10-32	4
52	H-11196	PROTECTIVE BOOT, TOGGLE SWITCH, (RED)	1
53	H-11198	PROTECTIVE BOOT, TOGGLE SWITCH, (GREEN)	1
54	H-11199	PROTECTIVE BOOT, TOGGLE SWITCH, (BLUE)	1
55	H-11200	PROTECTIVE BOOT, TOGGLE SWITCH, (BLACK)	1
56	H-11202	PROTECTIVE BOOT, TOGGLE SWITCH, (ORANGE)	1
57	H-11203	PROTECTIVE BOOT, TOGGLE SWITCH, (PURPLE)	1
58	H-11205	PROTECTIVE BOOT, TOGGLE SWITCH, (LIGHT BLUE)	1
59	H-28667	PHP MS 4-40 X 3/4"	2
60	H-33761	5/16" INT/EXT STAR WASHER	4
61	H-41007	AB4-3A BLIND RIVET	4
62	H-70854	NYLOK #4-40 SS	6
63	H-70855	NYLOK #6-32 SS	2
64	H-70860	NYLOK 1/4"- 20 SS	7
65	H-70861	NYLOK 5/16" - 18 SS	6
66	H-70922	KN #8-32	2
67	H-70923	KN #10-32 SS	5
68	H-71007	FW #8 SS	4
69	H-71013	FW 1/4 ID X 5/8 OD SS	3
70	H-71015	FW 5/16 ID X 3/4 OD SS	4
71	H-71016	FW 5/16 ID X 7/8 OD SS	4
72	H-71059	LW #10, SS	8
73	H-71065	LW 5/16" SS	4
74	H-72390	PPH #6-32 X 1" MS S/S	2
75	H-72398	PPH #8-32 X 1/2" S/S	10
76	H-72486	PPH #4-40 X 1/2" S/S	2
77	H-72494	PPH #4-40 X 1" S/S	2
78	H-72534	PPH #10-32 X 3/4" S/S	4
79	H-73784	BHSCS 5/16-18 X 2.0	4
80	H-74417	CB 1/4"- 20 X .5" SS	2
81	H-74420	CB 1/4"- 20 X 1.0" SS	1
82	H-74429	CB 5/16"- 18 X 3/4" SS	5
83	H-76061	FW 1/4" NYLON	3
84	H-9307K74	GROMMET, 1" ID X 1-3/4" OD BUNA-N	2
85	M-4464T178	NEEDLE ROLLER THRUST BEARING ORING	1
86	M-5909K31	NEEDLE ROLLER THRUST BEARING	1
87	M-5909K44	NEEDLE ROLLER THRUST BEARING WASHER	2

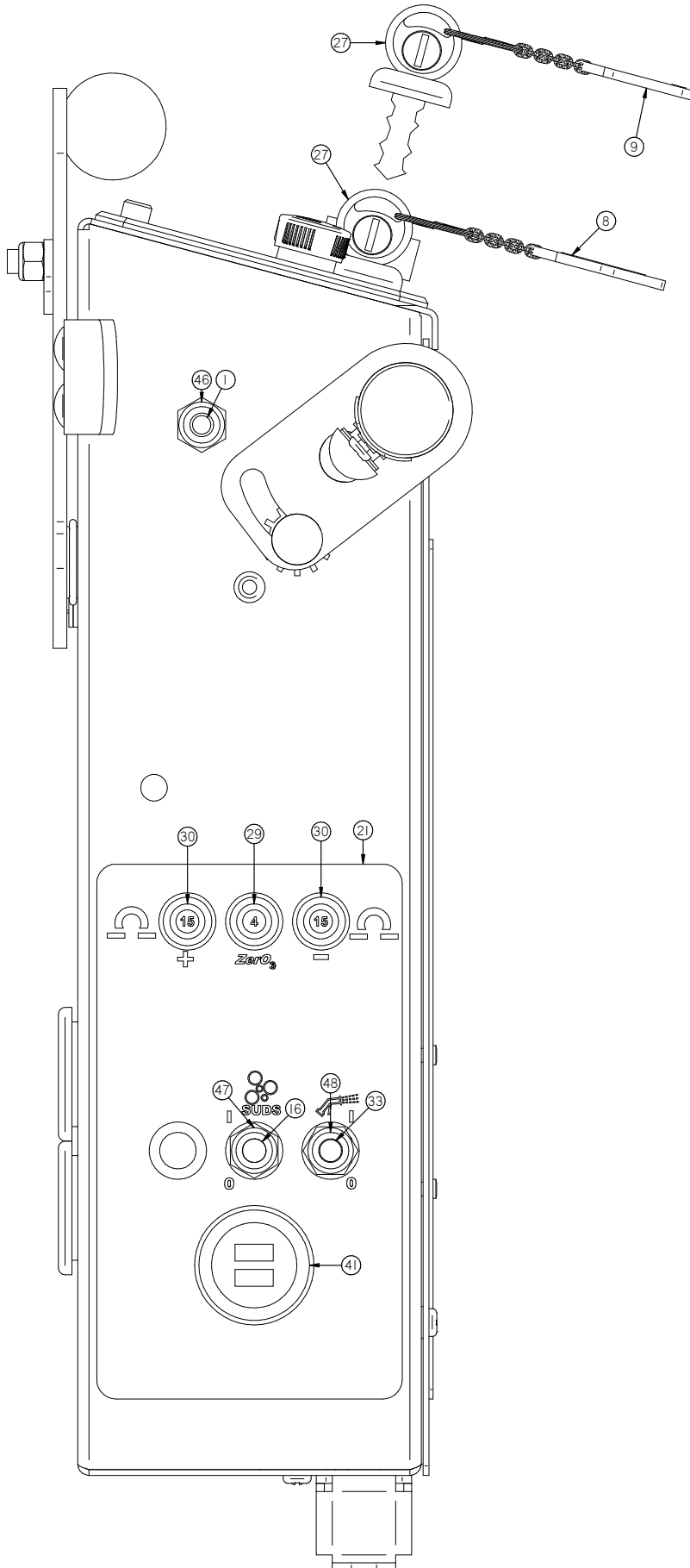




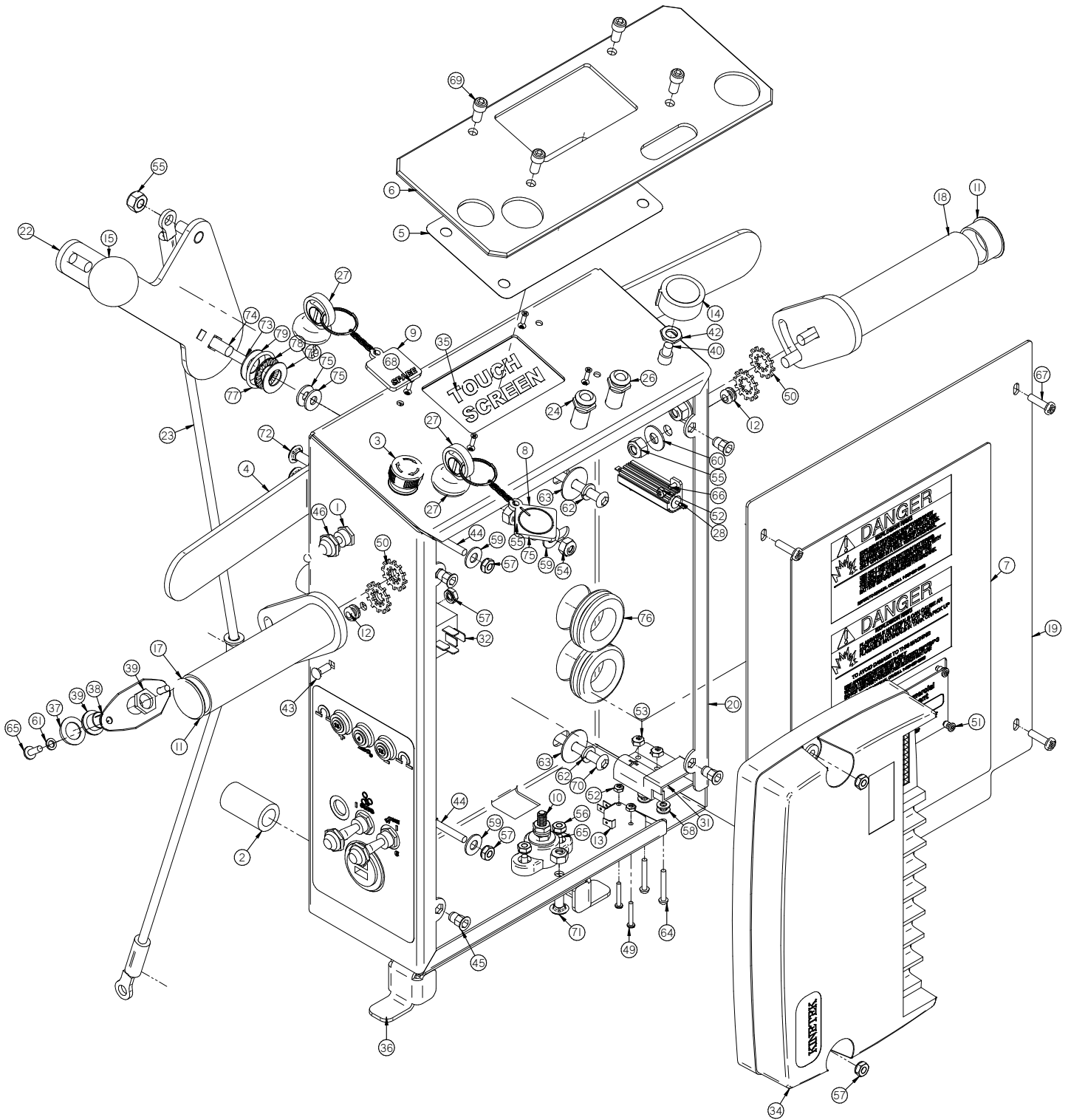
Circuit Breakers
Cylindrical (2) 30 amp
Disk (2) 30 amp
Orbital (1) 40 amp

Item	Part No.	Part Description	Qty.
1	150-2830	SWITCH, TOGGLE, MOM/OFF/MOM (DPDT)	1
2	150-4480	HANDLE GRIP (BLUE)	1
3	170-2700	SPACER, 1-1/2" LG	4
4	175-0300	Emergency stop switch, 51 series, IC/O	1
5	175-1292	HAND GUARD	2
6	175-2001	CONTROL PANEL COVER	1
7	175-2011	RENTAL CONTROL BOX	1
8	175-2021	SIDE STICKER	1
9	175-2021	WARNING STICKER	1
10	175-2022	RED ANODIZED TOP PLATE	1
11	175-2352	SPARE KEY FOB	1
12	175-2352	POWER KEY FOB	1
13	175-2700	NEG INSULATOR POST (BLACK)	3
14	175-2710	POS INSULATOR POST (RED)	2
15	190-1390	END CAP	2
16	190-4852	BRUSH PRESSURE GAUGE, 40 AMP	1
17	190-8283	RELAY, 24V, 50 AMP	1
18	190-8370	FUSE, RESETTABLE, 25 AMP	1
19	190-9609	FUSE, RESETTABLE, 40 AMP	2
20	200-4855	36V BATTERY AND HOUR METER	1
21	21-2203	GROMMET, RUBBER 3/16 ID X 13/32 OD X 3/32 TH.	2
22	21-2230	MICRO SWITCH	1
23	21-4520	SPEED CONTROL KNOB, RED	1
24	21-7101	LIFT KNOB	1
25	253-283	SWITCH, TOGGLE, ON/OFF/ON (DPDT)	1
26	260-2005	VALVE LEVER	1
27	260-2350A	SWITCH, ROCKER, DPDT, ON/ON AMBER	1
28	260-2351A	SWITCH, ROCKER, DPDT, ON/ON GREEN	1
29	260-2352A	SWITCH, ROCKER, DPDT, ON/ON BLUE	1
30	260-2898	IDRIVE 24V/36V, 70 AMP CONTROLLER	1
31	264-1290	ADJUSTABLE HANDLE BAR, LEFT	1
32	264-1291	ADJUSTABLE HANDLE BAR, RIGHT	1
33	264-7100	SQUEEGEE LIFT LEVER	1
34	264-7890	SQUEEGEE LIFT CABLE	1
35	290-2330	RED LIGHT	1
36	290-234	KEY SWITCH (WITH KEY)	1
37	290-234A	KEY SET (REPLACE)	2
38	290-2350	YELLOW LIGHT	1
39	290-9581	RESISTOR	1
40	349-2331	RELAY, 24V, SMALL W/FLAT MTG PLATE	1
41	349-9604	FUSE, RESETTABLE, 4 AMP, 50V DC MAX	1
42	390-9615	FUSE, RESETTABLE, 15 AMP, 50V DC MAX	2
43	4-259	CONNECTOR, RED 50, HOUSING ONLY	1
44	5-234	SWITCH, ROCKER, DPDT, ON/ON	1
45	5-293	15 AMP RELAY	1
46	5-892	TOGGLE, ON-OFF 'SPST	1
47	660-4042	CORD WRAP	1
48	7-227	BUTTON COVER	2
49	7-228	SWITCH MOUNT PLATE	4
50	7-229	PUSH BUTTON SWITCH	4
51	7-292	5K POTENTIOMETER	1
52	700-2590	DUAL USB PORTS	1
53	H-00282	FW 1/4" NYLON	1
54	H-00918	HCN 1/4"-20 LG	4
55	H-0127290	1/2" LOOP CLAMP	1
56	H-0147994	3/8-32 X 1/2" PANEL NUT	1
57	H-0172518	CB #10-32 X 1/2" SS	1
58	H-1032HCN	HCN #10-32	4
59	H-11196	PROTECTIVE BOOT, TOGGLE SWITCH, (RED)	1
60	H-11198	PROTECTIVE BOOT, TOGGLE SWITCH, (GREEN)	1
61	H-11205	PROTECTIVE BOOT, TOGGLE SWITCH, (LIGHT BLUE)	1
62	H-1123202	SHCS 1/4"-20 X 5/8 BLACK OXIDE	4
63	H-28667	PHP MS 4-40 X 3/4"	2
64	H-33372	SHAFT COLLAR, 3/8" ID	4
65	H-33761	5/16" INT/EXT STAR WASHER	4
66	H-41007	AB4-3A BLIND RIVET	4
67	H-70854	NYLOK #4-40 SS	2
68	H-70855	NYLOK #6-32 SS	4
69	H-70860	NYLOK 1/4"- 20 SS	8
70	H-70861	NYLOK 5/16" - 18 SS	6
71	H-70922	KN #8-32	10
72	H-70923	KN #10-32 SS	1
73	H-70925	KN 1/4-20 S/S	10
74	H-71007	FW #8 SS	4
75	H-71013	FW 1/4 ID X 5/8 OD SS	2
76	H-71015	FW 5/16 ID X 3/4 OD SS	4
77	H-71016	FW 5/16 ID X 7/8 OD SS	4
78	H-71059	LW #10, SS	8
79	H-71065	LW 5/16" SS	4
80	H-72390	PPH #6-32 X 1" MS S/S	2
81	H-72398	PPH #8-32 X 1/2" S/S	18
82	H-72418	PPH #8-32 X 1" S/S	2
83	H-72486	PPH #4-40 X 1/2" S/S	2
84	H-72534	PPH #10-32 X 3/4" S/S	4
85	H-73752	BHSCS 1/4 - 20 X 1/2" SS	4
86	H-73784	BHSCS 5/16-18 X 2.0	4
87	H-74417	CB 1/4"- 20 X 5" SS	2
88	H-74418	CB 1/4"- 20 X 5/8" S/S	4
89	H-74419	CB 1/4"- 20 X .75" SS	4
90	H-74420	CB 1/4"- 20 X 1.0" SS	1
91	H-74423	CB 1/4"- 20 X 2.0" SS	1
92	H-74429	CB 5/16"- 18 X 3/4" SS	5
93	H-76061	FW 1/4" NYLON	3
94	H-9307K99	GROMMET, 2" ID X 2-5/8" OD	1
95	M-4464T178	NEEDLE ROLLER THRUST BEARING ORING	1
96	M-5909K31	NEEDLE ROLLER THRUST BEARING	1
97	M-5909K44	NEEDLE ROLLER THRUST BEARING WASHER	2
98	M-92066A009	SCKT HEAD NUT #8-32par	2

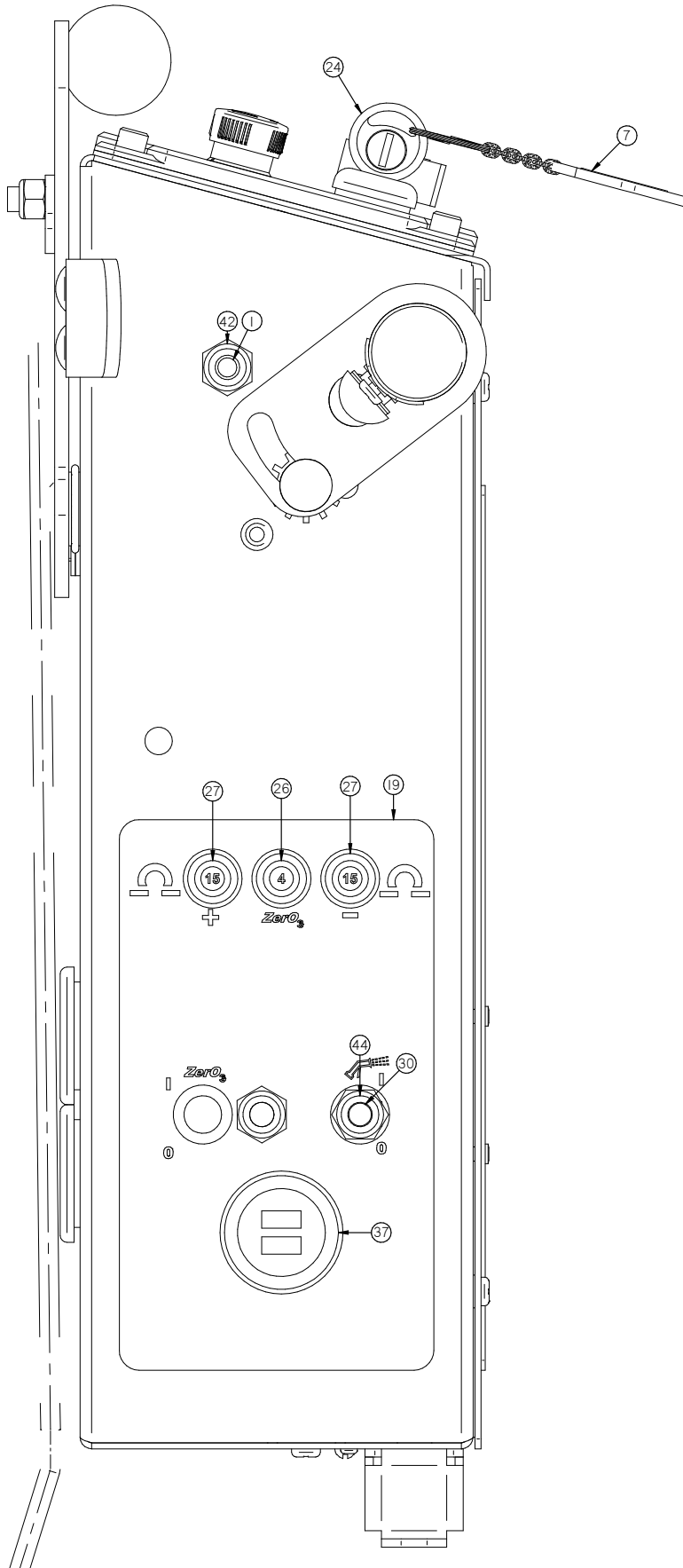




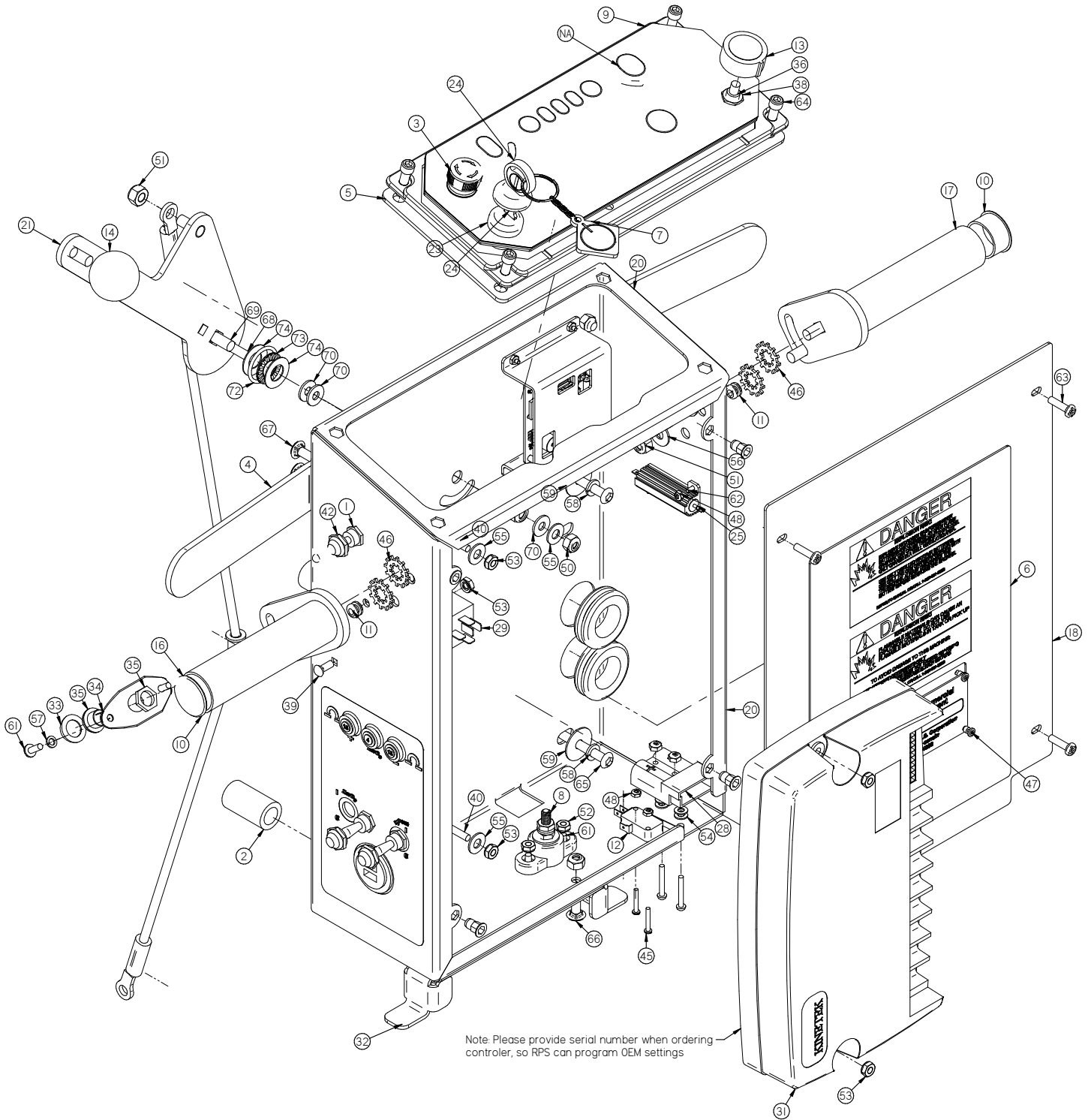
Item	Part No.	Part Description	Qty.
1	150-2830	SWITCH, TOGGLE, MOM/OFF/MOM (DPDT)	1
2	170-2700	SPACER, 1-1/2" LG	4
3	175-0300	Emergency stop switch, 51 series, IC/O	1
4	175-1292	HAND GUARD	2
5	175-2014	TOUCH SCREEN PROTECTOR	1
6	175-2018	BLUE ANODIZED SCREEN COVER	1
7	175-2023	WARNING STICKER	1
8	175-2352	POWER KEY FOB	1
9	175-2352	SPARE KEY FOB	1
10	175-2700	NEG INSULATOR POST (BLACK)	1
11	190-1390	END CAP	2
12	21-2203	GROMMET, RUBBER 3/16 ID X 13/32 OD X 3/32 TH.	2
13	21-2230	MICRO SWITCH	1
14	21-4520	SPEED CONTROL KNOB, RED	1
15	21-7101	LIFT KNOB	1
16	253-283	SWITCH, TOGGLE, ON/OFF/ON (DPDT)	1
17	264-1290	ADJUSTABLE HANDLE BAR, LEFT	1
18	264-1291	ADJUSTABLE HANDLE BAR, RIGHT	1
19	264-2001	CONTROL PANEL COVER	1
20	264-2013	CENTRAL COMMAND, TOUCH SCREEN	1
21	264-2017	SUDS/SPRAY STICKER	1
22	264-7100	SQUEEGEE LIFT LEVER	1
23	264-7890	SQUEEGEE LIFT CABLE	1
24	290-2330	RED LIGHT	1
25	290-234	KEY SWITCH (WITH KEY)	1
26	290-2340	GREEN LIGHT	1
27	290-234A	KEY SET (REPLACE)	2
28	290-9581	RESISTOR	1
29	349-9604	FUSE, RESETTABLE, 4 AMP, 50V DC MAX	1
30	390-9615	FUSE, RESETTABLE, 15 AMP, 50V DC MAX	2
31	4-259	CONNECTOR, RED 50, HOUSING ONLY	1
32	5-293	15 AMP RELAY	1
33	5-892	TOGGLE, ON-OFF SPST	1
34	650-2890	KINETECK TOUCH SCREEN CONTROLLER	1
35	650-2891	4 INCH TOUCH SCREEN	1
36	650-4042	CORD WRAP	1
37	7-227	BUTTON COVER	2
38	7-228	SWITCH MOUNT PLATE	4
39	7-229	PUSH BUTTON SWITCH	4
40	7-292	5K POTENTIOMETER	1
41	700-2590	DUAL USB PORTS	1
42	H-0147994	3/8-32 X 1/2 PANEL NUT	1
43	H-0172518	CB #10-32 X 1/2" SS	1
44	H-0172522	CB #10-32 X 1-1/4" SS	2
45	H-1032HCN	HCN #10-32	4
46	H-11196	PROTECTIVE BOOT, TOGGLE SWITCH, (RED)	1
47	H-11198	PROTECTIVE BOOT, TOGGLE SWITCH, (GREEN)	1
48	H-11205	PROTECTIVE BOOT, TOGGLE SWITCH, (LIGHT BLUE)	1
49	H-28667	PHP MS 4-40 X 3/4"	2
50	H-33761	5/16" INT/EXT STAR WASHER	4
51	H-41007	AB4-3A BLIND RIVET	4
52	H-70854	NYLOK #4-40 SS	8
53	H-70855	NYLOK #6-32 SS	2
54	H-70860	NYLOK 1/4"- 20 SS	7
55	H-70861	NYLOK 5/16"- 18 SS	6
56	H-70922	KN #8-32	2
57	H-70923	KN #10-32 SS	5
58	H-71007	FW #8 SS	4
59	H-71013	FW 1/4 ID X 5/8 OD SS	3
60	H-71015	FW 5/16 ID X 3/4 OD SS	4
61	H-71059	LW #10, SS	8
62	H-71063	LW 1/4" SS	4
63	H-71212	FNW 1/4 ID X 1.0 OD SS	4
64	H-72390	PPH #6-32 X 1" MS S/S	2
65	H-72398	PPH #8-32 X 1/2" S/S	10
66	H-72486	PPH #4-40 X 1/2" S/S	6
67	H-72534	PPH #10-32 X 3/4" S/S	4
68	H-72636	FHP #4-40 X .375 SS	4
69	H-73459	SHCS 1/4-20 X 1/2 SS	4
70	H-73758	BHSCS 1/4 - 20 X 1-3/4" SS	4
71	H-74417	CB 1/4"- 20 X .5" SS	2
72	H-74418	CB 1/4"- 20 X 5/8" S/S	4
73	H-74420	CB 1/4"- 20 X 1.0" SS	1
74	H-74429	CB 5/16"- 18 X 3/4" SS	5
75	H-76061	FW 1/4" NYLON	3
76	H-9307K74	GROMMET, 1" ID X 1-3/4" OD BUNA-N	2
77	M-4464T178	NEEDLE ROLLER THRUST BEARING ORING	1
78	M-5909K31	NEEDLE ROLLER THRUST BEARING	1
79	M-5909K44	NEEDLE ROLLER THRUST BEARING WASHER	2



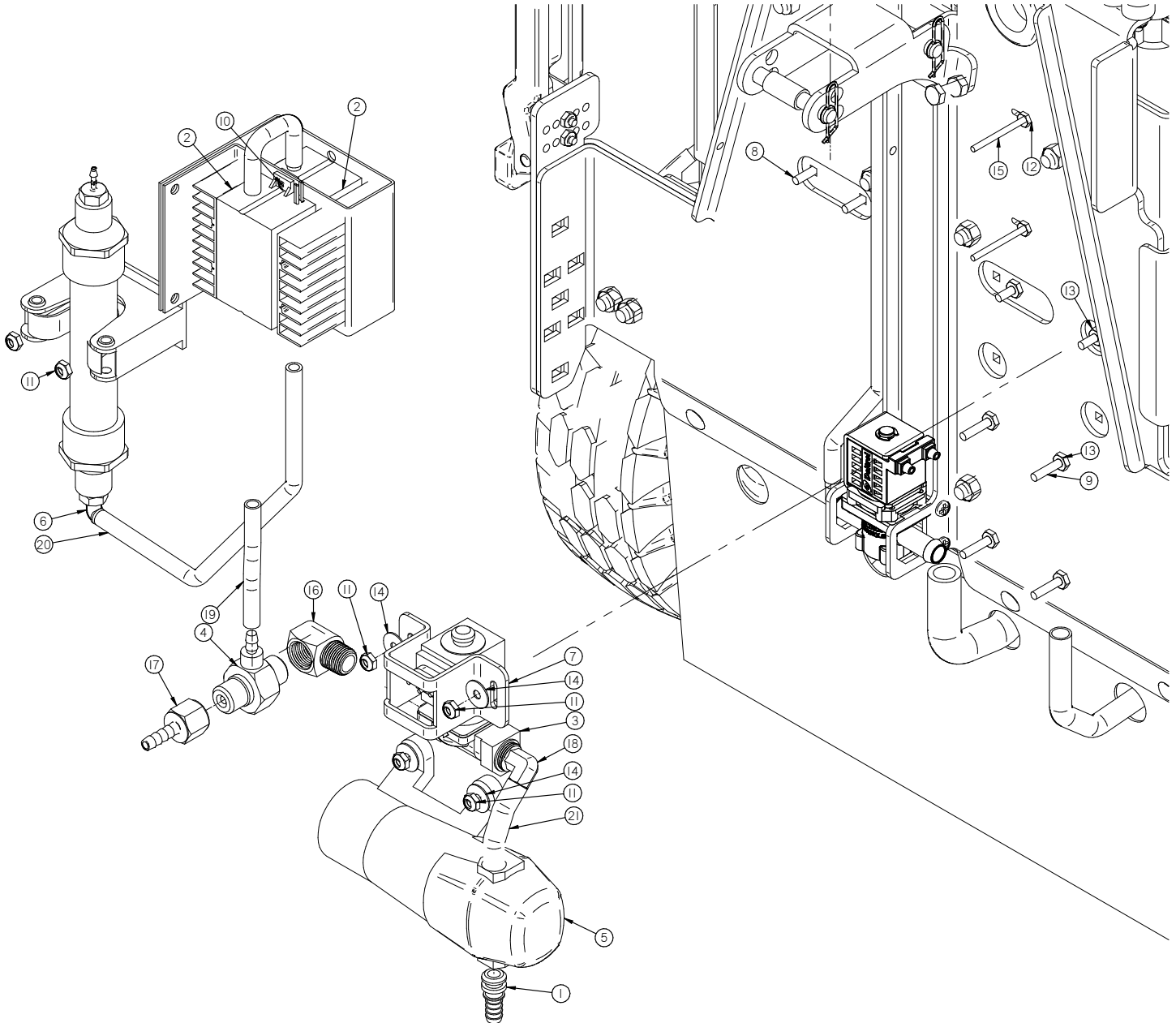
Membrane Central Command Assembly



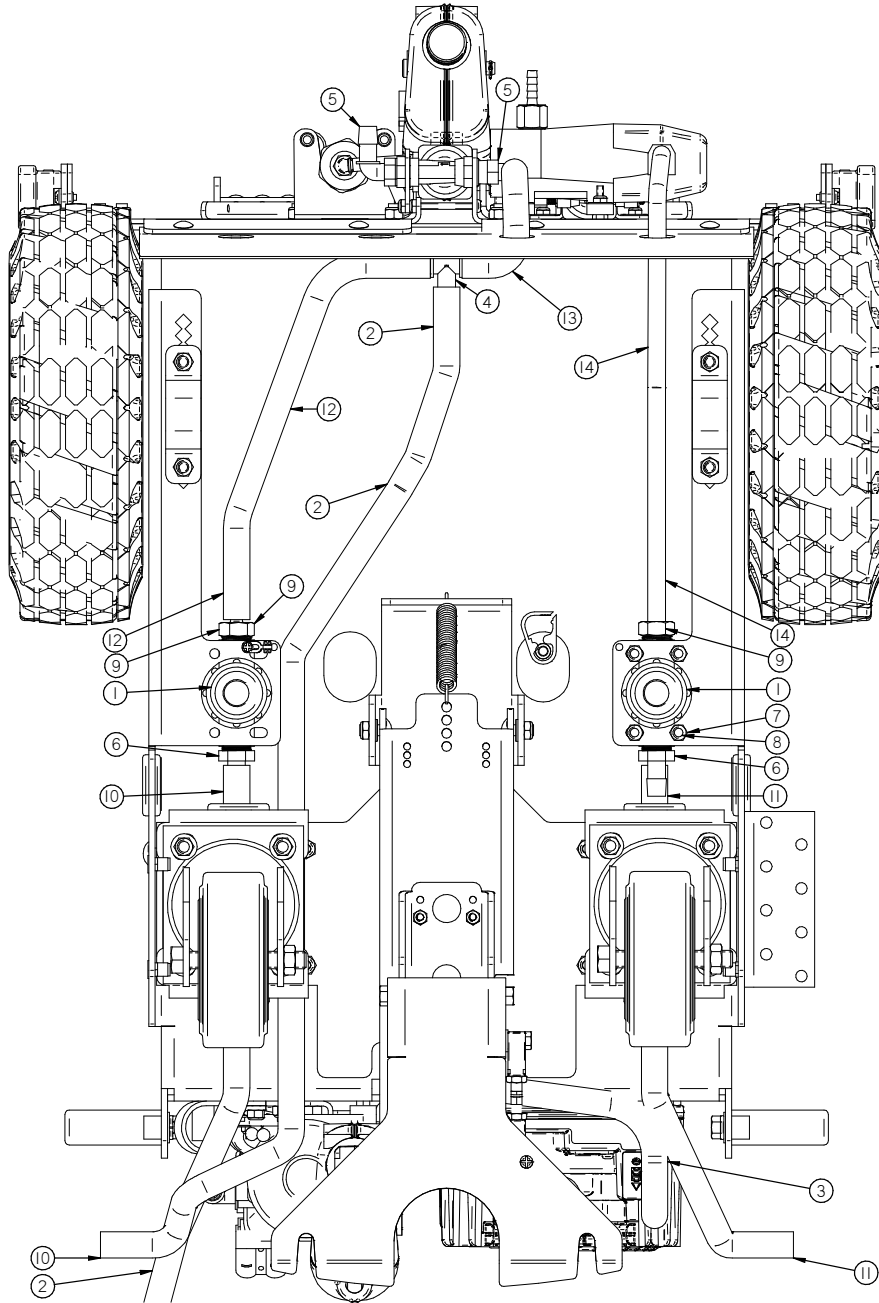
Item	Part No.	Part Description	Qty.
1	150-2830	SWITCH, TOGGLE, MOM/OFF/MOM (DPDT)	1
2	170-2700	SPACER, 1-1/2" LG	4
3	175-0300	Emergency stop switch, 51 series, IC/O	1
4	175-1292	HAND GUARD (OPTIONAL)	2
5	175-2005	COVER GASKET	1
6	175-2023	WARNING STICKER	1
7	175-2352	POWER KEY FOB	1
8	175-2700	NEG INSULATOR POST (BLACK)	1
9	175-6001	MEMBRANE BEZEL	1
10	190-1390	END CAP	2
11	21-2203	GROMMET, RUBBER 3/16 ID X 13/32 OD X 3/32 TH.	2
12	21-2230	MICRO SWITCH	1
13	21-4520	SPEED CONTROL KNOB, RED	1
14	21-7101	LIFT KNOB	1
15*	253-283	SWITCH, TOGGLE, ON/OFF/ON (DPDT)	1
16	264-1290	ADJUSTABLE HANDLE BAR, LEFT	1
17	264-1291	ADJUSTABLE HANDLE BAR, RIGHT	1
18	264-2001	CONTROL PANEL COVER	1
19	264-2017	SUDS/SPRAY STICKER	1
20	264-2020	WIDE CENTRAL COMMAND BOX, (TOUCH SCREEN)	1
21	264-7100	SQUEEGEE LIFT LEVER	1
22*	264-7890	SQUEEGEE LIFT CABLE	1
23	290-234	KEY SWITCH (WITH KEY)	1
24	290-234A	KEY SET (REPLACE)	1
25	290-9581	RESISTOR	1
26	349-9604	FUSE, RESETTABLE, 4 AMP, 50V DC MAX	1
27	390-9615	FUSE, RESETTABLE, 15 AMP, 50V DC MAX	2
28	4-259	CONNECTOR, RED 50, HOUSING ONLY	1
29	5-293	24V 15 AMP RELAY	1
30	5-892	TOGGLE, ON-OFF SPST	1
31	650-2890	KINETECK TOUCH SCREEN CONTROLER	1
32	650-4042	CORD WRAP	1
33	7-227	BUTTON COVER	2
34	7-228	SWITCH MOUNT PLATE	4
35	7-229	PUSH BUTTON SWITCH	4
36	7-292	5K POTENTIOMETER	1
37	700-2590	DUAL USB PORTS	1
38	H-0147994	3/8-32 X 1/2 PANEL NUT	1
39	H-0172518	CB #10-32 X 1/2" SS	1
40	H-0172522	CB #10-32 X 1-1/4" SS	2
41*	H-1032HCN	HCN #10-32	4
42	H-11196	PROTECTIVE BOOT, TOGGLE SWITCH, (RED)	1
43*	H-11198	PROTECTIVE BOOT, TOGGLE SWITCH, (GREEN)	1
44	H-11205	PROTECTIVE BOOT, TOGGLE SWITCH, (LIGHT BLUE)	1
45	H-28667	PHP MS 4-40 X 3/4"	2
46	H-33761	5/16" INT/EXT STAR WASHER	4
47	H-41007	AB4-3A BLIND RIVET ALUMINUM	4
48	H-70854	NYLOK #4-40 SS	8
49*	H-70855	NYLOK #6-32 SS	2
50	H-70860	NYLOK 1/4"- 20 SS	7
51	H-70861	NYLOK 5/16" - 18 SS	6
52	H-70922	KN #8-32	2
53	H-70923	KN #10-32 SS	5
54	H-71007	FW #8 SS	4
55	H-71013	FW 1/4 ID X 5/8 OD SS	3
56	H-71015	FW 5/16 ID X 3/4 OD SS	4
57	H-71059	LW #10, SS	8
58	H-71063	LW 1/4" SS	4
59	H-71212	FNW 1/4 ID X 1.0 OD SS	4
60*	H-72390	PPH #6-32 X 1" MS S/S	2
61	H-72398	PPH #8-32 X 1/2" S/S	10
62	H-72486	PPH #4-40 X 1/2" S/S	6
63	H-72534	PPH #10-32 X 3/4" S/S	4
64	H-73462	SHCS 1/4-20 X 1.0 SS	4
65	H-73758	BHSCS 1/4 - 20 X 1-3/4" SS	4
66	H-74417	CB 1/4"- 20 X 5" SS	2
67	H-74418	CB 1/4"- 20 X 5/8" S/S	4
68	H-74420	CB 1/4"- 20 X 1.0" SS	1
69	H-74429	CB 5/16"- 18 X 3/4" SS	5
70	H-76061	FW 1/4" NYLON	3
71*	H-9307K74	GROMMET, 1" ID X 1-3/4" OD BUNA-N	2
72	M-4464T178	NEEDLE ROLLER THRUST BEARING	1
73	M-5909K31	NEEDLE ROLLER THRUST BEARING	1
74	M-5909K44	NEEDLE ROLLER THRUST BEARING WASHER	2



Note: Please provide serial number when ordering controller, so RPS can program OEM settings

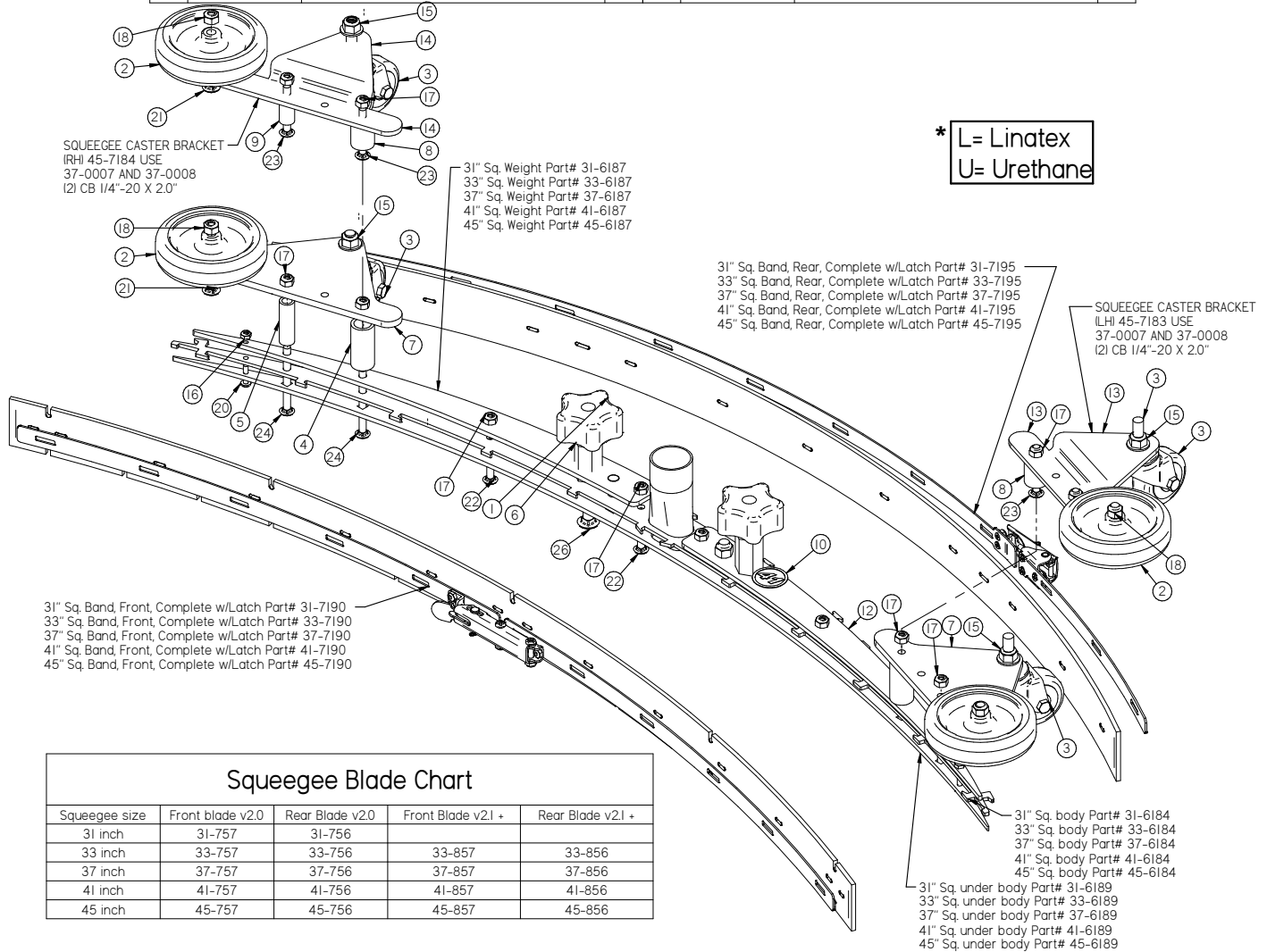


Item	Part No.	Part Description	Qty.
1	I23-1601	3/8 BARBED FITTING	1
2	I23-2334	ZERO GENERATORS	1
3	I23-6500	24V VALVE	1
4	I23-8510	RED INJECTOR	1
5	I23-8910	PUMP, WATER JET	1
6	I23-9134	AIR DRYER	1
7	I50-5280	VALVE BRACKET	1
8	H-0172520	CB #10-32 X 3/4" SS	1
9	H-0172522	CB #10-32 X 1-1/4" SS	1
10	H-70855	NYLOK #6-32 SS	1
11	H-70858	NYLOK #10-32 SS	4
12	H-70921	KN #6-32	1
13	H-70923	KN #10-32 SS	2
14	H-71010	FW #10 ID X 11/16 OD SS	3
15	H-72393	PPH #6-32 X 2" MS S/S	1
16	M-50785K441	.375 MALE NPT X .375 FEMALE NPT ELBOW 90 DEG	1
17	M-5346K52	.375 NPT X .25 BRASS BARBED HOSE FITTING	1
18	M-53525K18	.375 NPT X .375 BRASS BARBED ELBOW	1
19	T-025CS6000	BULK 1/4" ID X 5' CLEAR SILICONE ZERO HOSE	1
20	T-025CS6000	BULK 1/4" ID X 5' CLEAR SILICONE ZERO HOSE	1
21	T-375R6000	BULK 3/8" ID X 5' WIRE REINFORCED ZERO HOSE	1



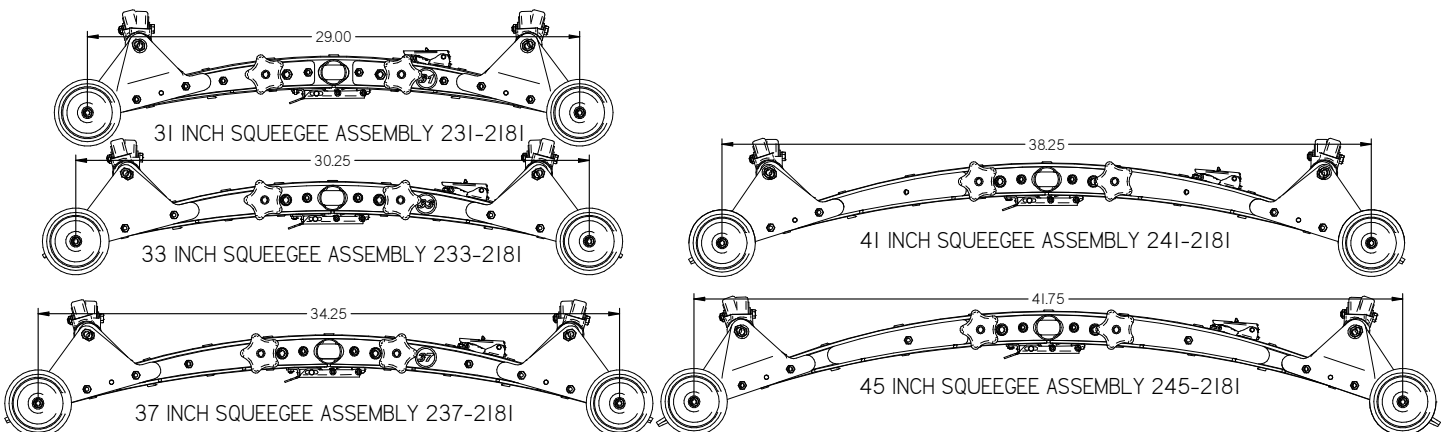
Item	Part No.	Part Description	Qty.
1	175-9130	INLINE FILTER	2
2	264-1370	SIGHT TUBE	1
3	290-8960	SPRAY JET HOSE	1
4	5-446	1/2" PLASTIC BARB TEE	1
5	H-04763	ELBOW, 90 DEG X 3/8" MNPT X 1/2" BARB, NYLON	2
6	H-04788	50 NPT X .50 BARB	2
7	H-70860	NYLOK 1/4"- 20 SS	1
8	M-3043T13	1/4-20 X 1.0" U-BOLT	1
9	M-5463K461	50 NPT X .375 BARB,par	2
10	T-025C6000	BULK 1/4" ID X 5' CLEAR SILICONE ZERO HOSE	1
11	T-025C6000	BULK 1/4" ID X 5' CLEAR SILICONE ZERO HOSE	1
12	T-050R6000	BULK 1/2" ID X 5' WIRE REINFORCED SOLUTION HOSE	1
13	T-050R6000	BULK 1/2" ID X 5' WIRE REINFORCED SOLUTION HOSE	1
14	T-375R6000	BULK 3/8" ID X 5' WIRE REINFORCED ZERO HOSE	1

Item	Part No.	Part Description	Qty.	Item	Part No.	Part Description	Qty.
1	150-5786	STAR KNOB, 3/8-16 THREAD	2	14	45-7184	SQUEEGE CASTER BRACKET (RHI)	1
2	150-7600	4" SIDE WHEEL (GREY)	4	15	H-0129152A	FLANGED NUT 3/8-16	4
3	253-7570	CASTER	4	16	H-70856	NYLOK #8-32 SS	2
4	31-0007	SQUEEGEE ROLLER SPACER	2	17	H-70860	NYLOK 1/4" - 20 SS	12
5	31-0008	SQUEEGEE ROLLER SPACER	2	18	H-70861	NYLOK 5/16" - 18 SS	4
6	33-8460	STANDOFF, 1.5"	2	19"	H-70862	NYLOK 3/8"-16 SS	2
7	35-7183	SQUEEGE CASTER BRACKET	2	20	H-72416	PPH #8-32 X 3/4" S/S	2
8	37-0007	SQUEEGEE ROLLER SPACER	2	21	H-74401	CB 5/16"- 18 X 1-3/4" SS	4
9	37-0008	SQUEEGEE ROLLER SPACER	2	22	H-74420	CB 1/4"- 20 X 1.0" SS	4
10	41-1600	41 inch sticker	1	23	H-74423	CB 1/4"- 20 X 2.0" SS	4
11"	41-1602	41" XL sticker	1	24	H-74425	CB 1/4"- 20 X 2-3/4" SS	4
12	41-6187	SQUEEGEE WEIGHT	2	25"	H-74436	CB 3/8"- 16 X 1.0" SS	2
13	45-7183	SQUEEGE CASTER BRACKET (LH)	1	26	H-74441	CB 3/8"- 16 X 3.0" SS	2

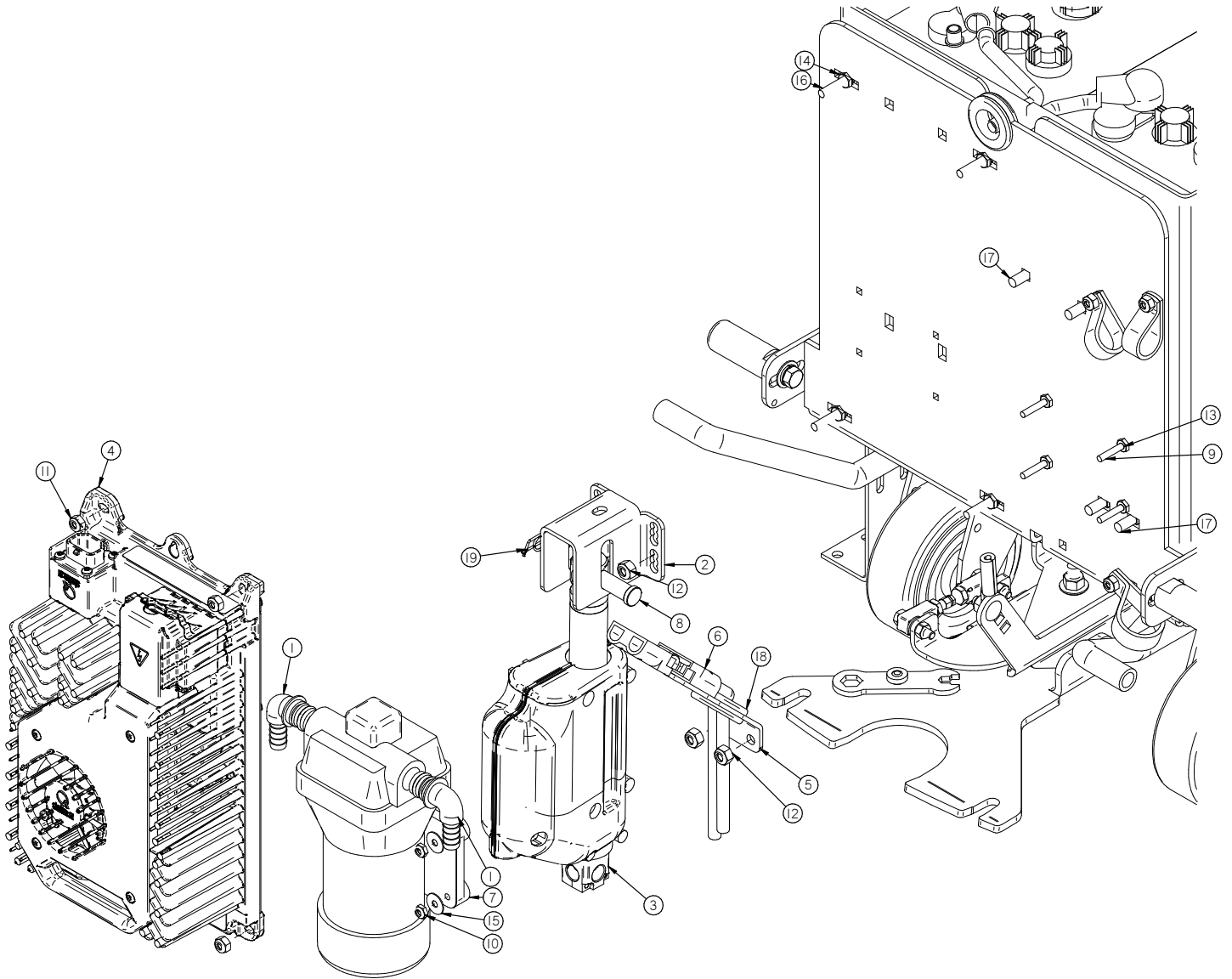


Squeegee Blade Chart

Squeegee size	Front blade v2.0	Rear Blade v2.0	Front Blade v21 +	Rear Blade v21 +
31 inch	31-757	31-756		
33 inch	33-757	33-756	33-857	33-856
37 inch	37-757	37-756	37-857	37-856
41 inch	41-757	41-756	41-857	41-856
45 inch	45-757	45-756	45-857	45-856



Options



Item	Part No.	Part Description	Qty.
1	21-1601	1/2" BARBED ELBOW (PLASTIC)	2
2	253-1099	AUTO SQUEEGEE LIFT BRACKET	1
3	253-2240	2" STROKE 24V ACTUATOR 450 LB LOAD	1
4	264-2440	ON BOARD CHARGER 1200-24	1
5	264-9516	CHARGER CONECTOR BRACKET	1
6	4-259	CONNECTOR, RED 50, HOUSING ONLY	1
7	5-891	PUMP, WATER JET	1
8	H-0156771	CLEVIS PIN, 1/2" OD X 2" LG	1
9	H-0172522	CB #10-32 X 1-1/4" SS	1
10	H-70858	NYLOK #10-32 SS	1
11	H-70860	NYLOK 1/4" - 20 SS	1
12	H-70861	NYLOK 5/16" - 18 SS	2
13	H-70923	KN #10-32 SS	1
14	H-70925	KN 1/4-20 S/S	1
15	H-71010	FW #10 ID X 11/16 OD SS	1
16	H-74421	CB 1/4"- 20 X 1-1/4" SS	1
17	H-74429	CB 5/16" - 18 X 3/4" SS	2
18	H-9307K74	GROMMET, 1" ID X 1-3/4" OD BUNA-N	1
19	H-RUE22	1/2" RUE RING COTTER	1

ROUND DISK BRUSHES:

NOTICE

The ## in Disk Column Denotes Desk Pad Size: 15", 16" or 17"

BRUSHES	DISK	LEVEL
Super Grit	##-382SS	Very High
Tough Grit	##-382S	High
Midi Grit	##-382C	Medium
Light Grit	##-382PS	Moderate
Poly	##-382P	Light
Nylon	##-382N	Light
Tampico	##-382T	Light
Pad Driver	##-382D	
Diamond Driver	##-382DD	

ROUND DISK PADS:

NOTICE

The ## in Disk Column Denotes Desk Pad Size: 15", 16" or 17"

DISK PADS	DISK	LEVEL	COLOR
Super Black	##-422BB	Very High	Black
Black	##-422B	High	Black
Brown	##-422BR	High	Brown
Green	##-422G	Medium	Green
Blue	##-422BL	Moderate	Blue
Red	##-422R	Moderate	Red
White	##-422W	Light	White

CYLINDRICAL BRUSHES:

BRUSHES	MODEL 29" CYLINDRICAL	MODEL 33" CYLINDRICAL	LEVEL
Tough Grit	276-697S	316-697S	High
Midi Grit	276-697C	316-697C	Medium
Light Grit	276-697PS	316-697PS	Moderate
Nylon	276-697N	316-697N	Light
Tampico	276-697T	316-697T	Light

EDGE PADS AND SCREENS:

DESCRIPTION	28"×14" SCRUBDECK	32"×14" SCRUBDECK
White Pad	EDGE-4054	EDGE-5005
Red Pad	EDGE-4053	EDGE-5004
Blue Pad	EDGE-4052	EDGE-5009
Green Pad	EDGE-4051	EDGE-5002
Black Pad	EDGE-4050	EDGE-5001
White Driver Pad	EDGE-4058	N / A
60 Grit Sand Screen	EDGE-4059	N / A
80 Grit Sand Screen	EDGE-4060	N / A
100 Grit Sand Screen	EDGE-4061	EDGE-5028
120 Grit Sand Screen	EDGE-4062	EDGE-5029
150 Grit Sand Screen	EDGE-4063	N / A
Tile/Grout Renovator Pad	EDGE-4048	N / A
Dominator HD Strip Pad	EDGE-4055	N / A
Maroon ECO Prep Pad	EDGE-4056	EDGE-5007
Remover Burnishing Pad	EDGE-4057	EDGE-5008
Porko Burnishing Pad	EDGE-4047	N / A
Velcro Pad	300-4024	N / A

EDGE GRIP FACE:

Common Wear Parts

DESCRIPTION	PART#
28"-32" Mighty Lok Grip Face	300-01037Z

V2.0 SQUEEGEE BLADE KITS & COMPLETE SQUEEGEE ASSEMBLIES:

SQUEEGEE SIZE	30" DISK DECKS	34" DISK DECKS	29" CYL. DECKS	33" CYL. DECKS	28" EDGE DECKS	32" EDGE DECKS
41" Squeegee	Standard	Optional	Standard	Optional	Standard	Optional
45" Squeegee	Optional	Standard	Optional	Standard	Optional	Standard


SQUEEGEE SIZE	LINATEX BLADE KIT	GUM RUBBER BLADE KIT	URETHANE BLADE KIT	COMPLETE SQUEEGEE ASSEMBLIES
41" Squeegee	241-770L	241-770G	241-770U	41-2180
45" Squeegee	245-770L	245-770G	245-770U	45-2180

SQUEEGEE MATERIAL:	USED FOR:
LINATEX	Provides best wear and tear resistance. Not designed for use with harsh chemicals.
URETHANE	Provides best resistance when dealing with harsh chemicals, oils, fuels, etc.
GUM	Provides best drying performance on rough/grouted floor types by sealing over irregularities. Short life.

NOTICE
Squeegee blade kits include (1) Rear Blade, (1) Front Blade, and (2) Caster Wheels with hardware.

NOTICE
Squeegee Assemblies (complete) listed above all come with Linatex blades.

NOTICE
Size is stamped into the top of the painted steel squeegee body on all squeegee's.



The diagram shows a top-down view of a squeegee assembly. It consists of a central yellow and red painted steel body with two black end caps, each containing a grey wheel. A circular callout with a red border points to the top of the body, showing the number '41' and '104cm' stamped into the metal.

Central Command Decals

Military Grade

Part #:175-2021

Legacy

Part #:175-2020

Touch Screen

Part #:175-2023

Models / Options / Squeegee Size Decals

FACTORY CAT MADE IN USA

Part #370-7219

MAG-HID
★ Handmade in U.S.A. ★

Part #:264-1515

v2.0

Part #:175-1517

ZERO₃
Chemical Free Cleaning Technology
EPA #: 090789-VI-01

Part #:123-1837

Suds
Onboard Chemical Dispensing

Part #:123-1838

41-1600
41"
104cm

Part #:41-1600

45-1600
45"
114cm

Part #:45-1600

O3+
ZERO + SUDS

Part #:123-1843

BLANK
THIS PAGE WAS INTENTIONALLY LEFT BLANK



www.factorycat.com
1711 South Street
Racine, WI 53404 (USA)
1-262-681-3583
© 2023 RPS Corporation, All Rights Reserved.