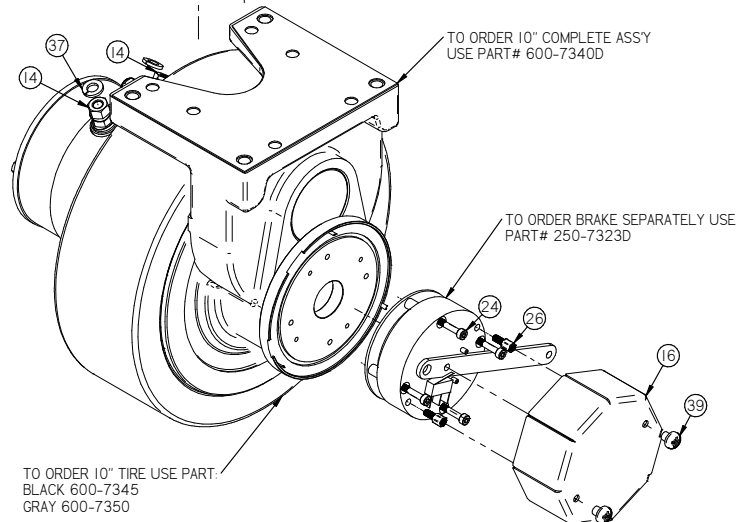
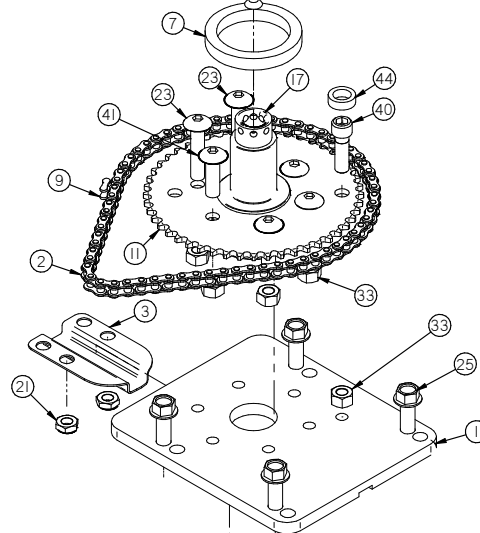
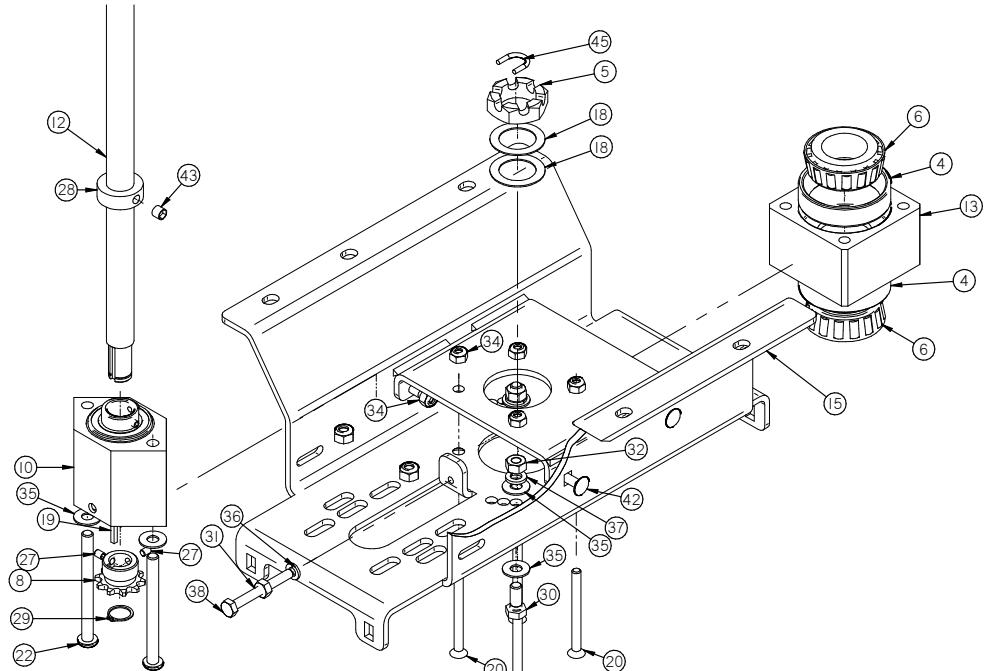


Read Operation Instructions
before using the machine.

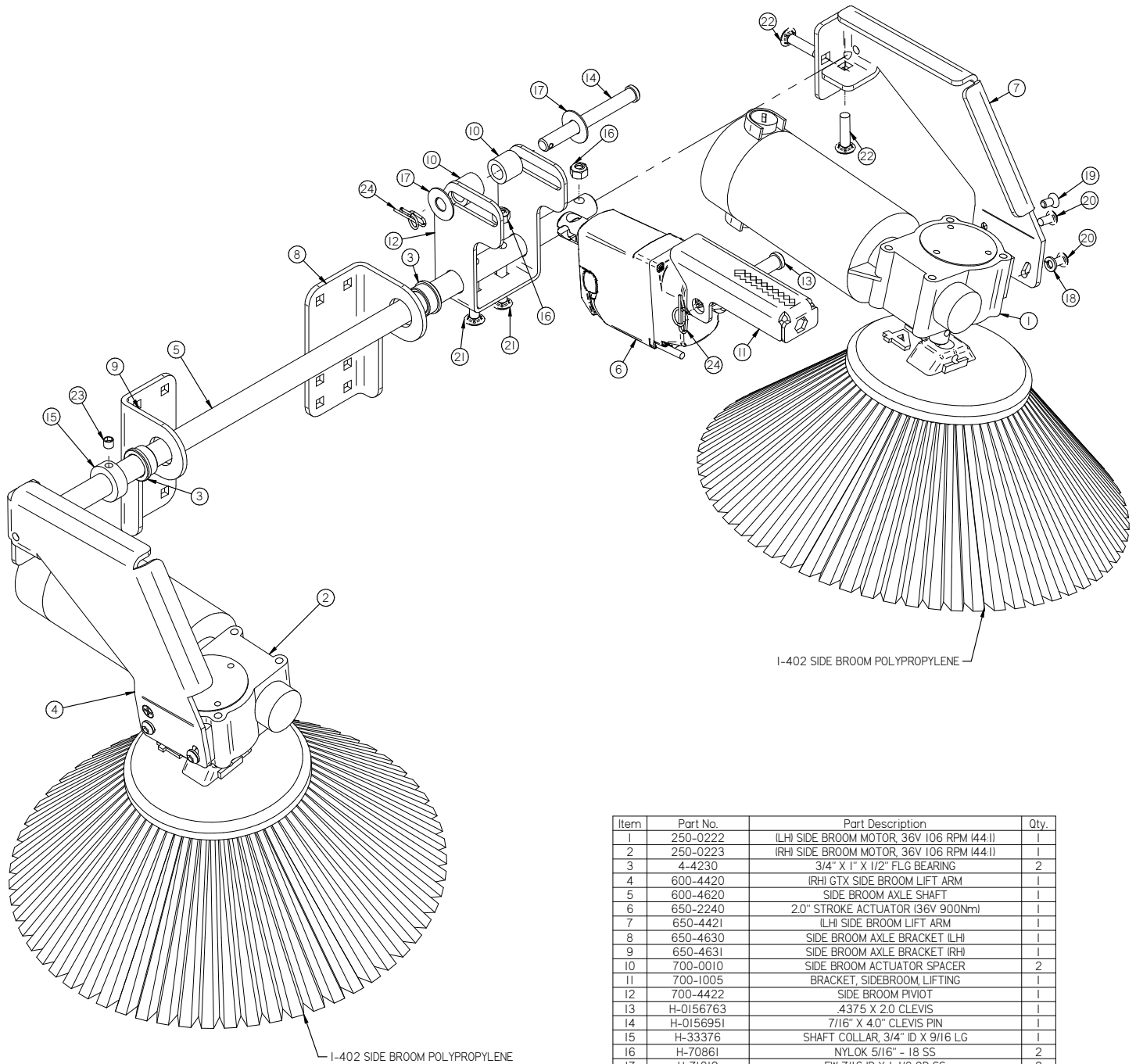


Read the Safety Messages
before using the machine.

Front Wheel Drive.....	4
Side Brooms	5
Front Wheel, Side Brooms, and Side Rollers	6
Attaching Decks.....	8
Disk Shrouds	9
Disk Decks.....	10
Cylindrical Decks	12
Cylindrical Wipers.....	14
Cylindrical Doors	15
EDGE Decks	16
EDGE Deck Wipers.....	18
Squeegee Trail Arm - Standard	19
Attaching Squeegee Trail Arm, Bumper, & Axle	20
Solution System.....	21
ZERO3 System	22
ZERO3 System	23
Suds System	24
Solution Tank.....	25
Recovery Tank.....	26
Rear Options	27
Vacuum Motor Assembly	28
Tank Baffle Assembly	29
Attaching Tanks & Batteries.....	30
29" Cylindrical Doors	31
33" & 24" Cylindrical Doors	32
Legacy Central Command.....	33
Military Central Command.....	35
Touch Central Command.....	37
Squeegee Assembly.....	39
Common Wear Parts	40
Schematics - Legacy	42
Schematics - Touch Screen.....	43
Schematics - Military	44
Decals.....	45

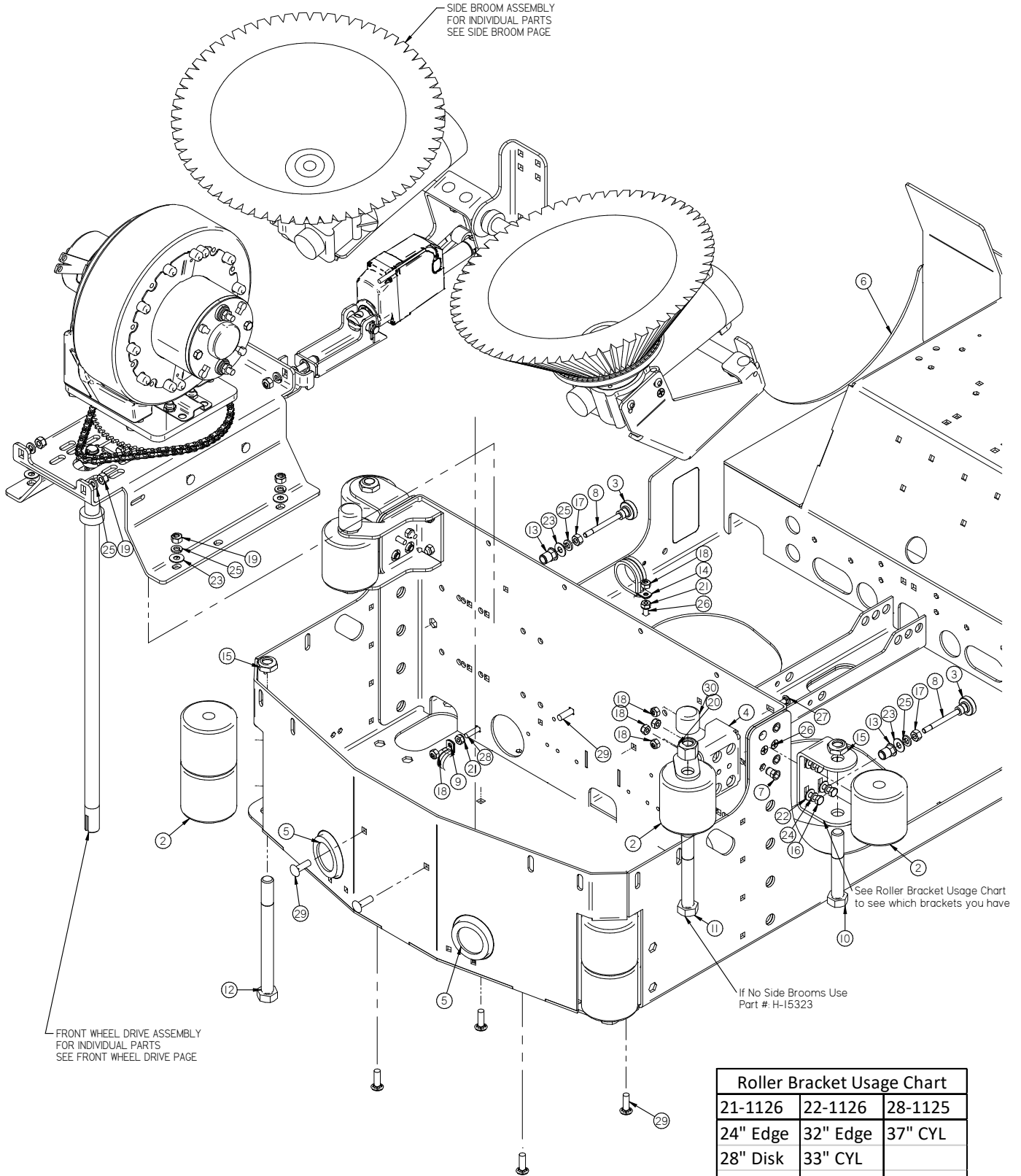


Item	Part No.	Part Description	Qty.
1	250-7326	PIVOT PLATE	1
2	250-7327	48 TOOTH STEERING CHAIN	1
3	250-7328	WIRE GUIDE	1
4	37-7318	TAPERED BEARING CUP	2
5	37-7321	SLOTTED NUT, 2.0 - 12	1
6	370-7317	TAPERED ROLLER BEARING	2
7	370-8374	BEARING SEAL	1
8	5-826	10 TOOTH SPROCKET 5/8 SHAFT	1
9	5-831	MASTER LINK	1
10	500-7231-01	BEARING BLOCK	1
11	500-7314	48 TOOTH STEERING SPROCKET	1
12	600-7120	STEERING SHAFT, LOWER	1
13	600-7230	BEARING BLOCK	1
14	600-7310	10" METAROTA DRIVE	1
15	600-7316	FRONT DRIVE DROP PLATE	1
16	600-7324	BRAKE COVER	1
17	600-7332	STEERING SPINDLE	1
18	8-713	1 1/2" THRUST WASHER	2
19	H-01343	1/8" X 1/8" X 3/4" KEY	1
20	H-0170132	FHP 1/4"- 20 X 2-3/4"	4
21	H-0171004	JNYL 3/8- 16 SS	2
22	H-0171294	BHSCS 5/16-18 X 3.5	2
23	H-0185382	BHSCS 3/8"- 24 X 1-3/4" SS	2
24	H-11103201	SHCS M4-0.7 X 35mm ZINK	4
25	H-11115680	FB CASHD M10-1.5 X 30mm	4
26	H-11125723	8-32 x 5/16 x 1/4 Male-Female Standoff	2
27	H-25306	SSS CP #10-32 X 1/4"	6
28	H-33376	SHAFT COLLAR, 3/4" ID X 9/16 LG	1
29	H-68013	SNAPRING	1
30	H-70053	HCS 5/16"- 18 X 3/4" SS	2
31	H-70710	HN 1/4"- 20 SS	1
32	H-70711	HN 5/16"- 18 SS	2
33	H-70732	HN 3/8"- 24 SS	7
34	H-70860	NYLOK 1/4"-20 SS	5
35	H-71015	FW 5/16 ID X 3/4 OD SS	6
36	H-71063	LW 1/4" SS	1
37	H-71065	LW 5/16" SS	3
38	H-71174	HCS 1/4-20 X 2.25" SS	1
39	H-72582	PPH 1/4-20 X 1/4" SS	2
40	H-73560	SHCS 3/8"- 24 X 1 1/4" SS	1
41	H-73830	BHSCS 3/8"- 24 X 1-1/4" SS	4
42	H-74419	CB 1/4"- 20 X .75" SS	1
43	H-81983	5/16" X 1/4" KURL SET SCREW	1
44	M-5233K66	CLEAR TUBING	1
45	M-9381T24	S-HOOK	1



Item	Part No.	Part Description	Qty.
1	250-0222	ILHI SIDE BROOM MOTOR, 36V 106 RPM (44.1)	1
2	250-0223	IRHI SIDE BROOM MOTOR, 36V 106 RPM (44.1)	1
3	4-4230	3/4" X 1" X 1/2" FLG BEARING	2
4	600-4420	IRHI GTX SIDE BROOM LIFT ARM	1
5	600-4620	SIDE BROOM AXLE SHAFT	1
6	650-2240	2.0" STROKE ACTUATOR (36V 900Nm)	1
7	650-4421	ILHI SIDE BROOM LIFT ARM	1
8	650-4630	SIDE BROOM AXLE BRACKET (LHI)	1
9	650-4631	SIDE BROOM AXLE BRACKET (RHI)	1
10	700-0010	SIDE BROOM ACTUATOR SPACER	2
11	700-1005	BRACKET, SIDEBROOM, LIFTING	1
12	700-4422	SIDE BROOM PIVOT	1
13	H-0156763	4375 X 2.0 CLEVIS	1
14	H-0156951	7/16" X 4.0" CLEVIS PIN	1
15	H-33376	SHAFT COLLAR, 3/4" ID X 9/16 LG	1
16	H-70861	NYLOK 5/16" - 18 SS	2
17	H-71019	FW 7/16 ID X 1-1/8 OD SS	2
18	H-71063	LW 1/4" SS	1
19	H-72704	FHP 1/4" - 20 X 1/2" SS	2
20	H-73752	BHSCS 1/4 - 20 X 1/2" SS	4
21	H-74401	CB 5/16" - 18 X 1-3/4" SS	2
22	H-74431	CB 5/16" - 18 X 1-1/4" SS	2
23	H-81983	5/16" X 1/4" KURL SET SCREW	1
24	H-RUE706	rue ring cotter .4375	2

Front Wheel, Side Brooms, and Side Rollers

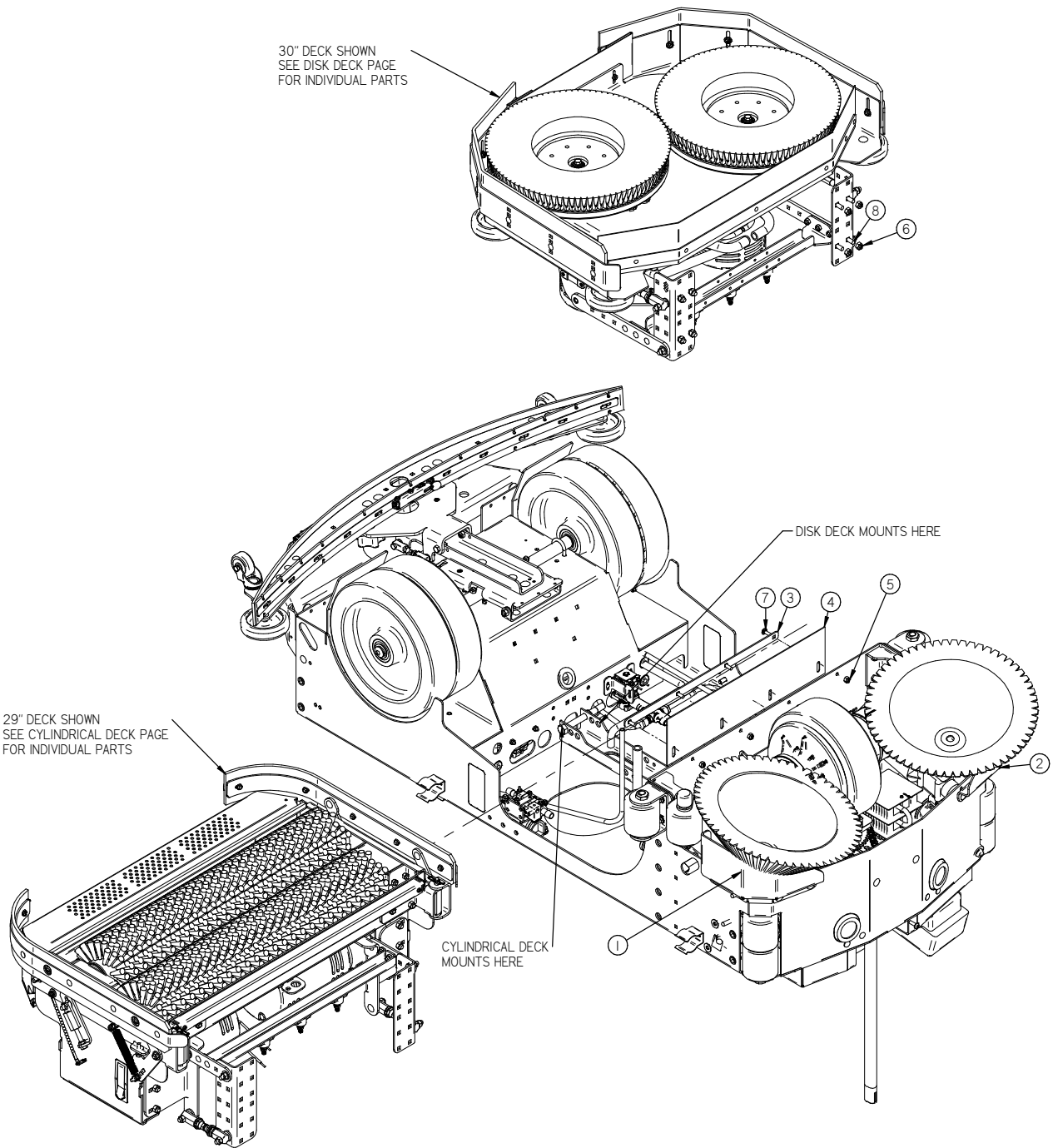


Roller Bracket Usage Chart

21-1126	22-1126	28-1125
24" Edge	32" Edge	37" CYL
28" Disk	33" CYL	
28" Edge	34" Disk	
29" CYL		
30" Disk		

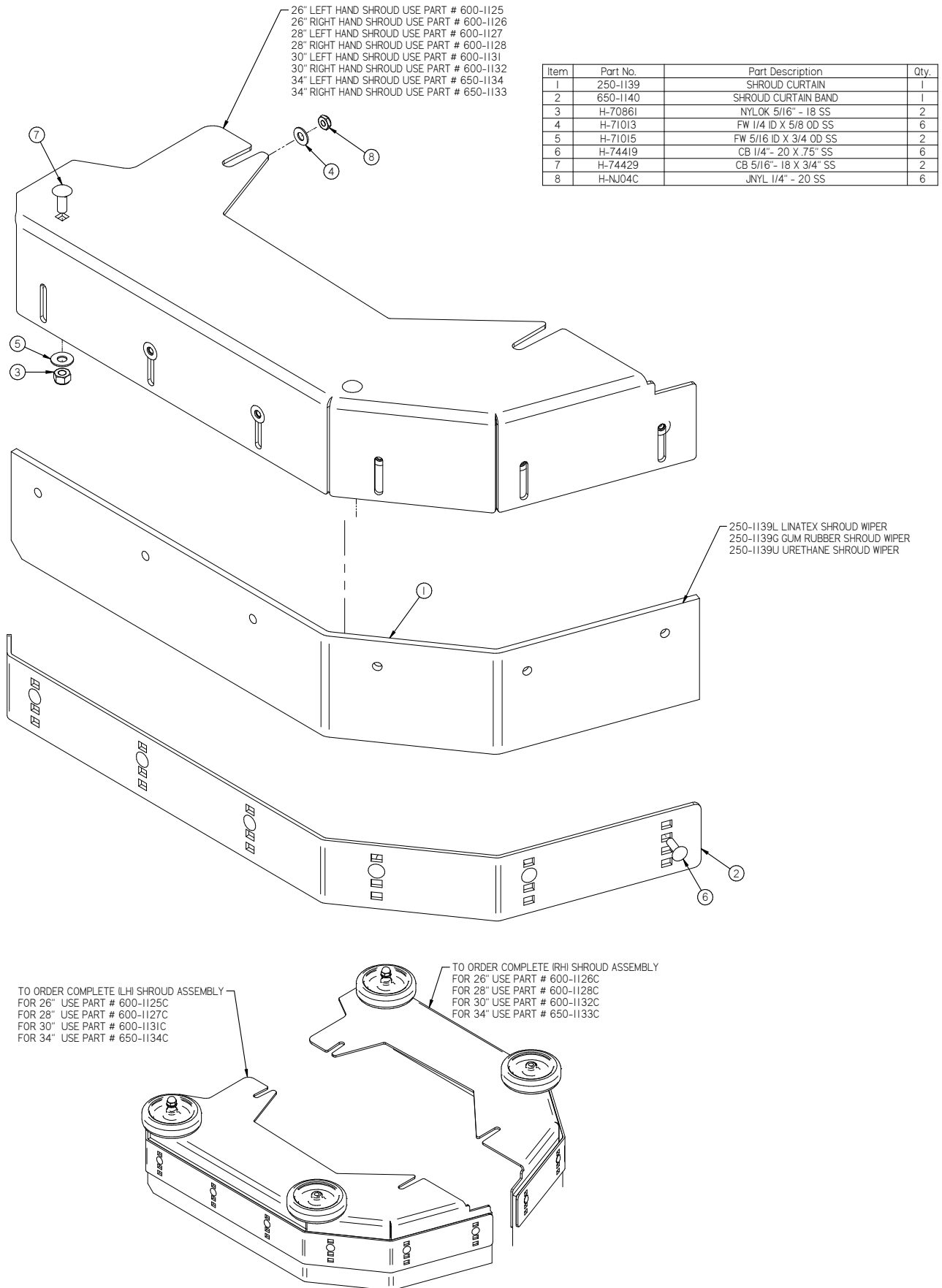
Front Wheel, Side Brooms, and Side Rollers

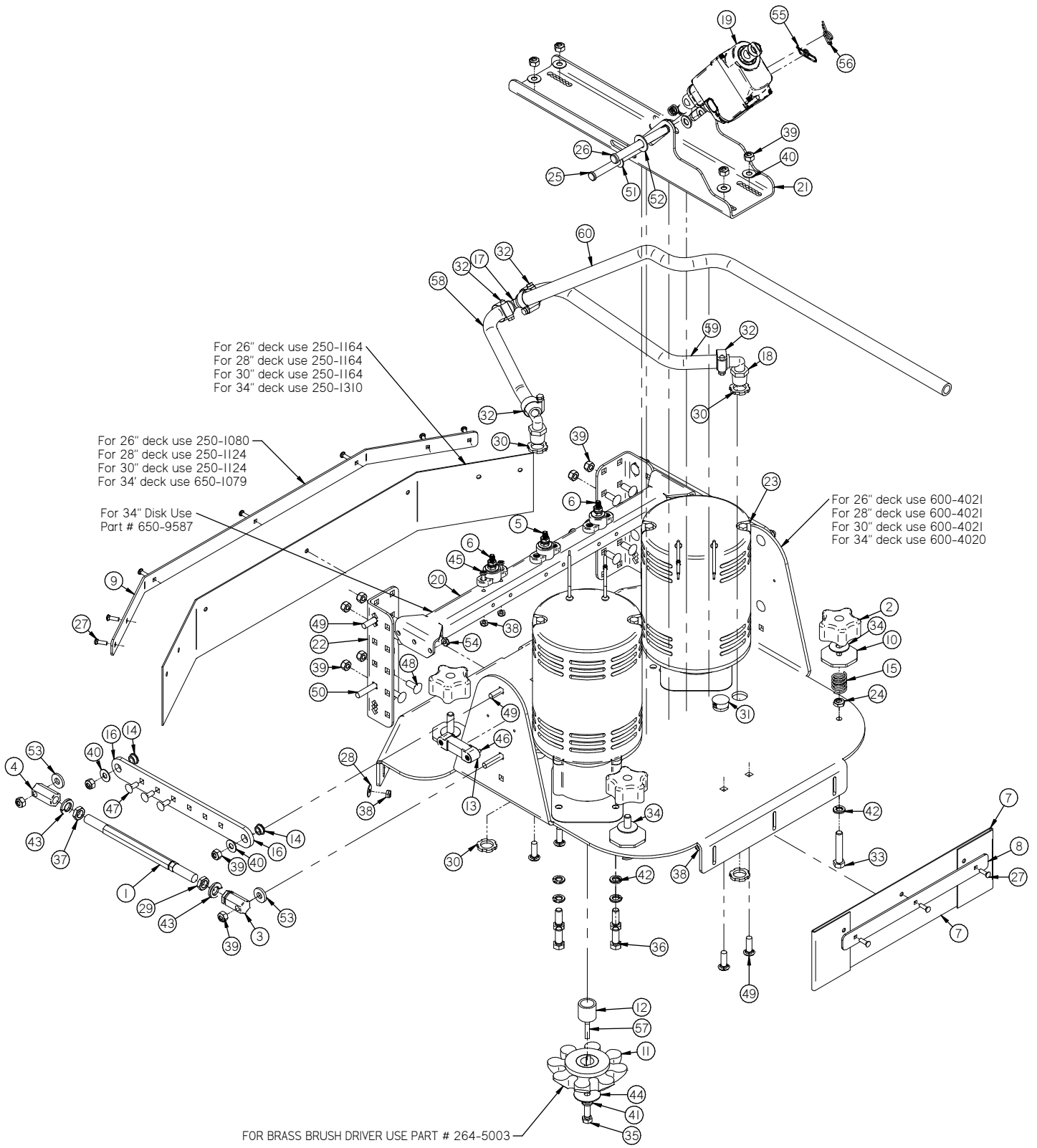
Item	Part No.	Part Description	Qty.
1*	21-1126	ROLLER BRACKET	2
2	21-1127	ROLLER	8
3	4-457	ADJUSTMENT KNOB	2
4	500-1028	LOWER ROLLER BRACKET	2
5	500-2910	HEAD LIGHT	2
6	600-1101	MAIN FRAME	1
7	H-00918	HCN 1/4"-20 LG	7
8	H-01205	SHCS 5/16-18 X 2-1/2 SS	2
9	H-0127294	3/4" LOOP CLAMP	1
10	H-11319	HB 5/8"- 11 X 4"	2
11	H-11321	HB 5/8"- 11 X 4 1/2"	2
12	H-13327	HB 5/8"- 11 X 7"	2
13	H-312HCN	HCN 5/16"-18	2
14	H-3225T	1-1/2" LOOP CLAMP	1
15	H-37038	JNYL 5/8"- 11	3
16	H-70003	HCS 1/4"-20 X 3/4" SS	7
17	H-70711	HN 5/16"- 18 SS	2
18	H-70860	NYLOK 1/4"- 20 SS	9
19	H-70861	NYLOK 5/16" - 18 SS	7
20	H-70866	NYL 5/8"- 11	2
21	H-70925	KN 1/4-20 S/S	2
22	H-71013	FW 1/4 ID X 5/8 OD SS	6
23	H-71015	FW 5/16 ID X 3/4 OD SS	5
24	H-71063	LW 1/4" SS	6
25	H-71065	LW 5/16" SS	9
26	H-73883	FHP 1/4"- 20 X 1" SS	5
27	H-74419	CB 1/4"- 20 X .75" SS	5
28	H-74420	CB 1/4"- 20 X 1.0" SS	1
29	H-74430	CB 5/16"- 18 X 1" SS	9
30	M-6448K8I	15/16" HEX CAP	2



Item	Part No.	Part Description	Qty.
1	250-1117	FRONT GUARD - LH	1
2	250-1118	FRONT GUARD - RH	1
3	250-1320	CURTAIN BAND	1
4	650-1311	CYLINDRICAL CURTAIN	1
5	H-70860	NYLOK 1/4" - 20 SS	1
6	H-70861	NYLOK 5/16" - 18 SS	1
7	H-74419	CB 1/4" - 20 X .75" SS	1
8	H-74429	CB 5/16" - 18 X 3/4" SS	1

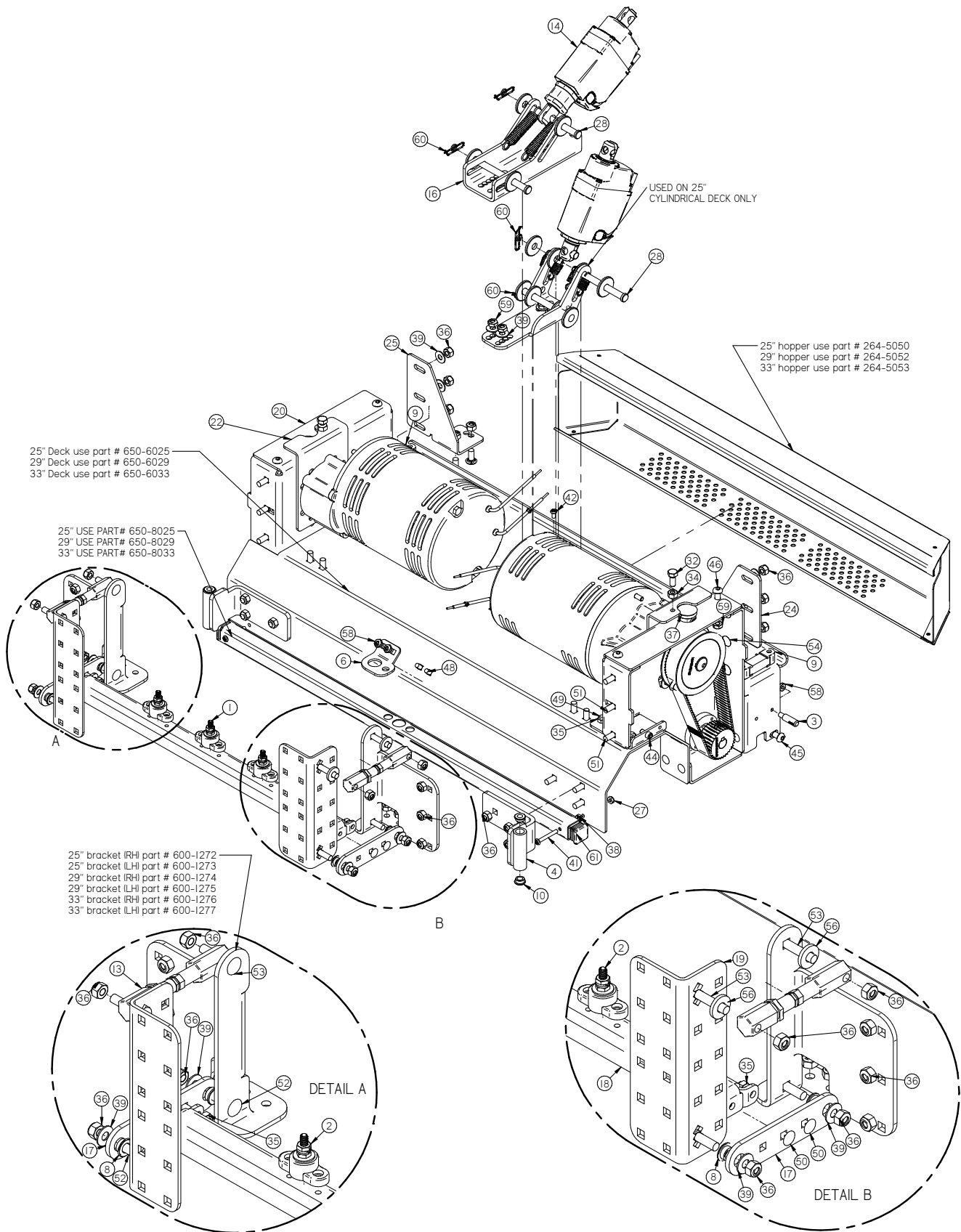
Disk Shrouds



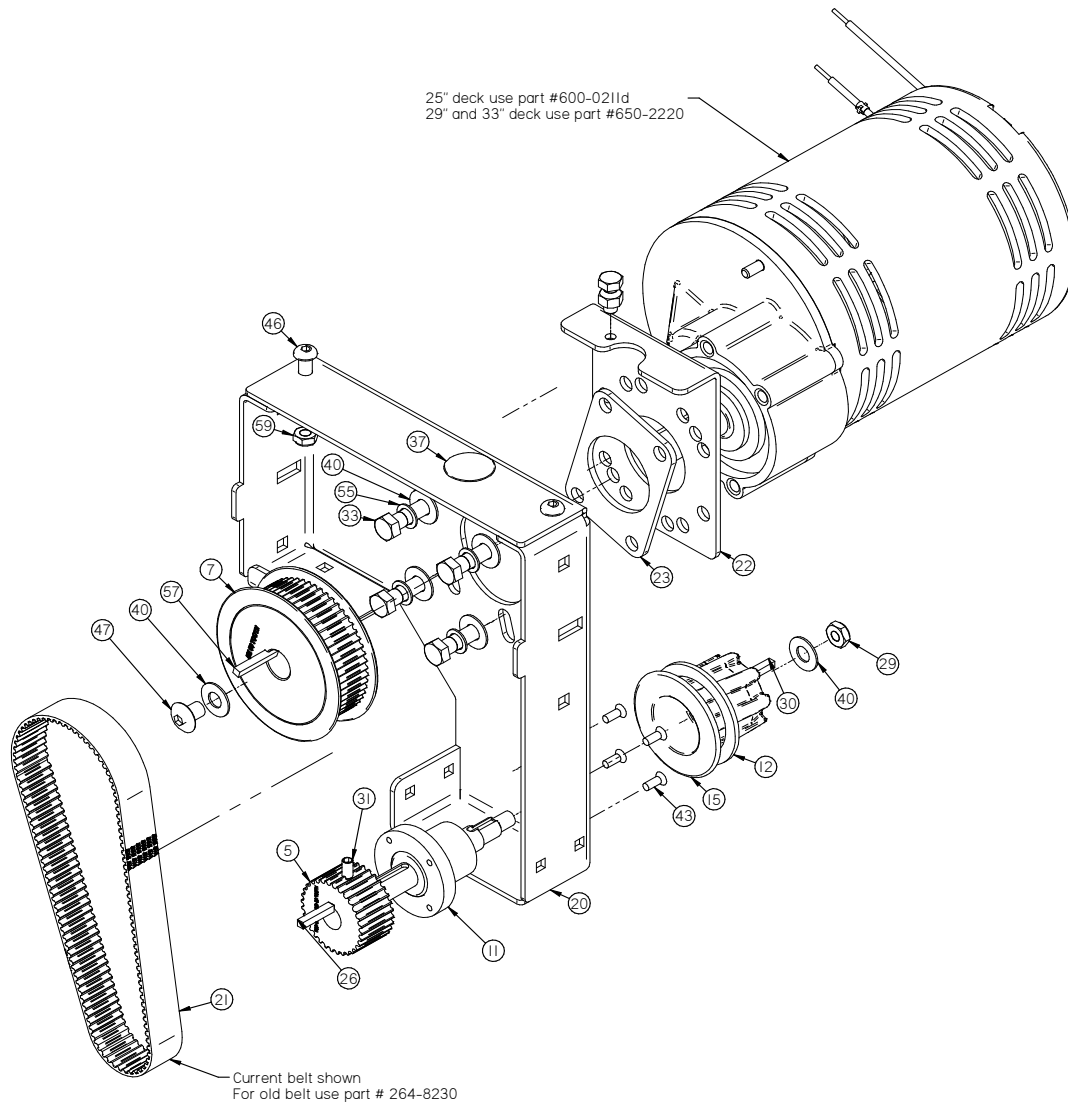


Disk Decks

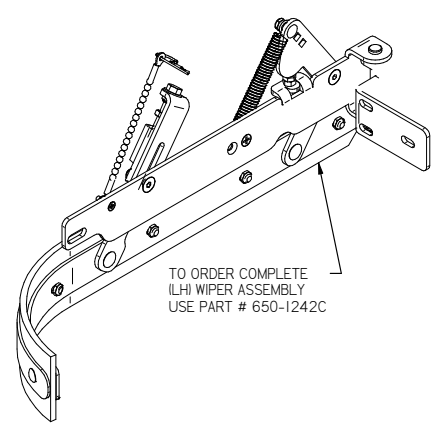
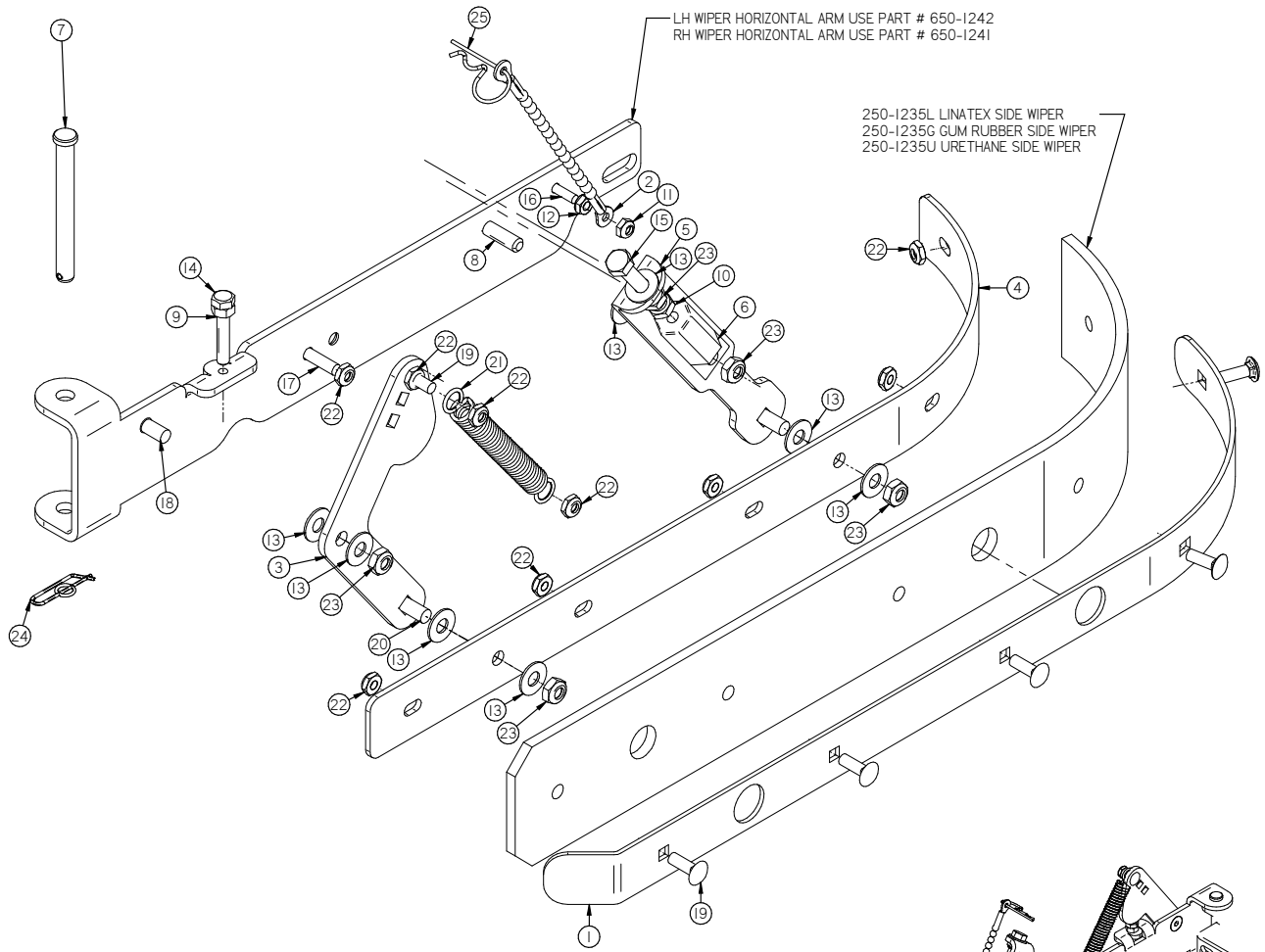
Item	Part No.	Part Description	Qty.
1	10-00	10" ADJUSTABLE LATERAL ARM BODY	1
2	150-5786	STAR KNOB, 3/8-16 THREAD	1
3	150-9583	ADJUSTABLE ROD END (LH THREAD)	1
4	150-9584	ADJUSTABLE ROD END (RH TREAD)	1
5	175-2700	NEG INSULATOR POST (BLACK)	1
6	175-2710	POS INSULATOR POST (RED)	2
7	250-1078	26/30 REAR DECK CURTAIN	1
8	250-1081	26/30 REAR CURTAIN BAND	1
9	250-1124	29" FRONT CURTAIN BAND	1
10	250-1184	SHROUD ADJ. KNOB (3/8-16 THREAD)	1
11	264-5003-01	BRUSH DRIVER 8 LOBE	1
12	264-5005	DRIVER SPACER	1
13	300-4030	LEVEL	1
14	370-1247	BUSHING 5/16 X 1/2 X 3/16	2
15	4-386	LIFT LEVER SPRING	1
16	5-124	LATERAL ARM	1
17	5-446	1/2" PLASTIC BARB TEE	1
18	5-447	1/2 NPT X 1/2" BARB ELBOW	2
19	600-2240	3 INCH STROKE ACTUATOR (36V)	1
20	600-9584	LIFT ARM CROSS BAR	1
21	650-1103	DISK SCRUB DECK BRACKET	1
22	650-1265	SCRUB ARM BRACKET	1
23	650-2220	MOTOR 36V 1.0 HP X 350 RPM, 2.2" SHAFT	1
24	H-0129158	JNYL 3/8- 16 SS	1
25	H-0156759	3/8" X 4" CLEVIS PIN	1
26	H-0156951	7/16" X 4.0" CLEVIS PIN	1
27	H-0172519	CB #10-32 X 5/8" SS	10
28	H-0172785	FNW 1/4 ID X 11/16 OD SS	1
29	H-0175075	LH HX JAM .50-20 SS	1
30	H-07005	1/2" NPT LOCKNUT	4
31	H-0708890	HOLE PLUG, 7/8"	1
32	H-081	CLAMP 1.0"- 1-1/8" SS	5
33	H-13815	HCS 3/8"- 16 X 2-1/2" ZINK (FULLY THREADED)	4
34	H-4440040	.375 ID X 1.125 OD RUBBER WASHER	2
35	H-70055	HCS 5/16"- 18 X 1" SS	1
36	H-70105	HCS 3/8"- 16 X 1" SS	4
37	H-70834	HX JAM .50-20 SS	1
38	H-70858	NYLOK #10-32 SS	11
39	H-70861	NYLOK 5/16" - 18 SS	18
40	H-71015	FW 5/16 ID X 3/4 OD SS	6
41	H-71065	LW 5/16" SS	1
42	H-71067	LW 3/8" SS	8
43	H-71071	LW 1/2" SS	2
44	H-71215	FNW 5/16 ID X 1-1/2 OD SS	1
45	H-72517	PPH #10-32 X 5/8" SS	1
46	H-72645	FHP #8-32 X 1.0"	1
47	H-74418	CB 1/4"- 20 X 5/8" S/S	6
48	H-74429	CB 5/16"- 18 X 3/4" SS	8
49	H-74430	CB 5/16"- 18 X 1" SS	8
50	H-74432	CB 5/16"- 18 X 1-1/2" SS	4
51	H-76063	FW 3/8" X 5/8" NYLON	1
52	H-76065	FW 1/2" NYLON	2
53	H-98025	FW 3/8" GRADE 8	4
54	H-NJ04C	JNYL 1/4" - 20 SS	6
55	H-RUE14	3/8" RUE RING COTTER	1
56	H-RUE706	rue ring cotter .4375	1
57	M-0953154	1/4" X 1" KEY	1
58	T-050R6000	BULK 1/2" ID X 5' WIRE REINFORCED SOLUTION HOSE	1
59	T-050R6000	BULK 1/2" ID X 5' WIRE REINFORCED SOLUTION HOSE	1
60	T-050R6000	BULK 1/2" ID X 5' WIRE REINFORCED SOLUTION HOSE	1



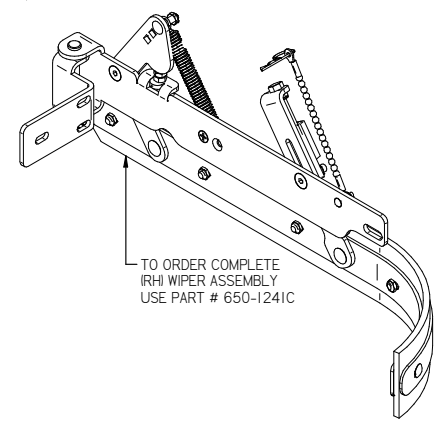
Cylindrical Decks



Item	Part No.	Part Description	Qty.	Item	Part No.	Part Description	Qty.
1	175-2700	NEG INSULATOR POST (BLACK)	1	28	H-0156759	3/8" X 4" CLEVIS PIN	4
2	175-2710	POS INSULATOR POST (RED)	2	29	H-0171004	JNYL 3/8- 24 SS	2
3	250-0001	RETAINER PIN	2	30	H-0953152	3/16" X 3/4" KEY	2
4	250-1230	SHROUD HINGE	1	31	H-25382	SETSCREW, KCP, 1/4"-20 X 1/2"	2
5	253-8215	TIMING SPROCKET 32 TOOTH	1	32	H-70053	HCS 5/16"- 18 X 3/4" SS	2
6	253-9003	QUICK DISCONNECT BRACKET	1	33	H-70107	HCS 3/8"- 16 X 1-1/4" SS	8
7	264-8225	TIMING SPROCKET 56 TOOTH	1	34	H-70711	HN 5/16"- 18 SS	2
8	290-1233	3/8" ID, 1/2" OD, 1/4" LG BEARING	2	35	H-70860	NYLOK 1/4"- 20 SS	22
9	300-4030	LEVEL	2	36	H-70861	NYLOK 5/16"- 18 SS	31
10	370-1247	BUSHING 5/16 X 1/2 X 3/16	1	37	H-708891	HOLE PLUG 7/8"	1
11	370-8240A	BEARING HOUSING/BEARING	1	38	H-70923	KN #10-32 SS	2
12	370-8373	CYLINDRICAL DRIVER SEAL	2	39	H-71015	FW 5/16 ID X 3/4 OD SS	16
13	4-25	6.25"ADJUSTABLE LATERAL ARM	1	40	H-71017	FW 3/8 ID X 7/8 OD SS	12
14	600-2240	3 INCH STROKE ACTUATOR (36V)	1	41	H-72554	PPH #10-32 X 1-1/2"	2
15	600-8371	CYLINDRICAL DRIVER (HARDCOAT)	2	42	H-72562	PPH #10-32 X 3/8" S/S	1
16	600-9008	CYLINDRICAL LIFTING BRACKET	1	43	H-72682	FHP #10-32 X 1/2" SS	8
17	600-9585	CYL. LATERAL ARM	2	44	H-73459	SHCS 1/4-20 X 1/2 SS	3
18	600-9687	LIFT ARM CROSS BAR (CYL)	1	45	H-73777	BHSCS 5/16-18 X 1/2"	1
19	650-1265	SCRUB ARM BRACKET	2	46	H-73778	BHSCS 5/16-18 X 5/8"	2
20	650-6021	SIDE SUPPORT (HD) (SS)	2	47	H-73811	BHSCS 3/8"- 16 X 1/2" SS	2
21	650-8230	HI-PERFORMANCE PD PLUS BELT HTD 555-5M	1	48	H-74417	CB 1/4"- 20 X 5" SS	2
22	650-9002	MOTOR ADJ BRACKET	2	49	H-74418	CB 1/4"- 20 X 5/8" S/S	18
23	650-9004	MOTOR SPACER	2	50	H-74419	CB 1/4"- 20 X .75" SS	4
24	650-9072	CYL REAR SUPPORT BRACKET, LH,	1	51	H-74429	CB 5/16"- 18 X 3/4" SS	31
25	650-9073	CYL REAR SUPPORT BRACKET, RH,	1	52	H-74430	CB 5/16"- 18 X 1" SS	4
26	H-01125	3/16" X 1" KEY	2	53	H-74432	CB 5/16"- 18 X 1-1/2" SS	4
27	H-0129155	JNYL #10-32, 18-8 S/S	1	54	H-744??	CB 5/16"- 18 X 1/2" SS	6
				55	H-90895	WASHER, SERRATED BELLEVILLE, 3/8", S/S	8
				56	H-98025	FW 3/8" GRADE 8	4
				57	H-K14320	3/16" X 1 1/4" KEY	2
				58	H-NJ04C	JNYL 1/4"- 20 SS	4
				59	H-NJ05C	JNYL 5/16"- 18 SS	6
				60	H-RJUE14	3/8" RJE RING COTTER	3
				61	M-9565K5I	1.0 X 1.0 SQ TUBE PLUG	2

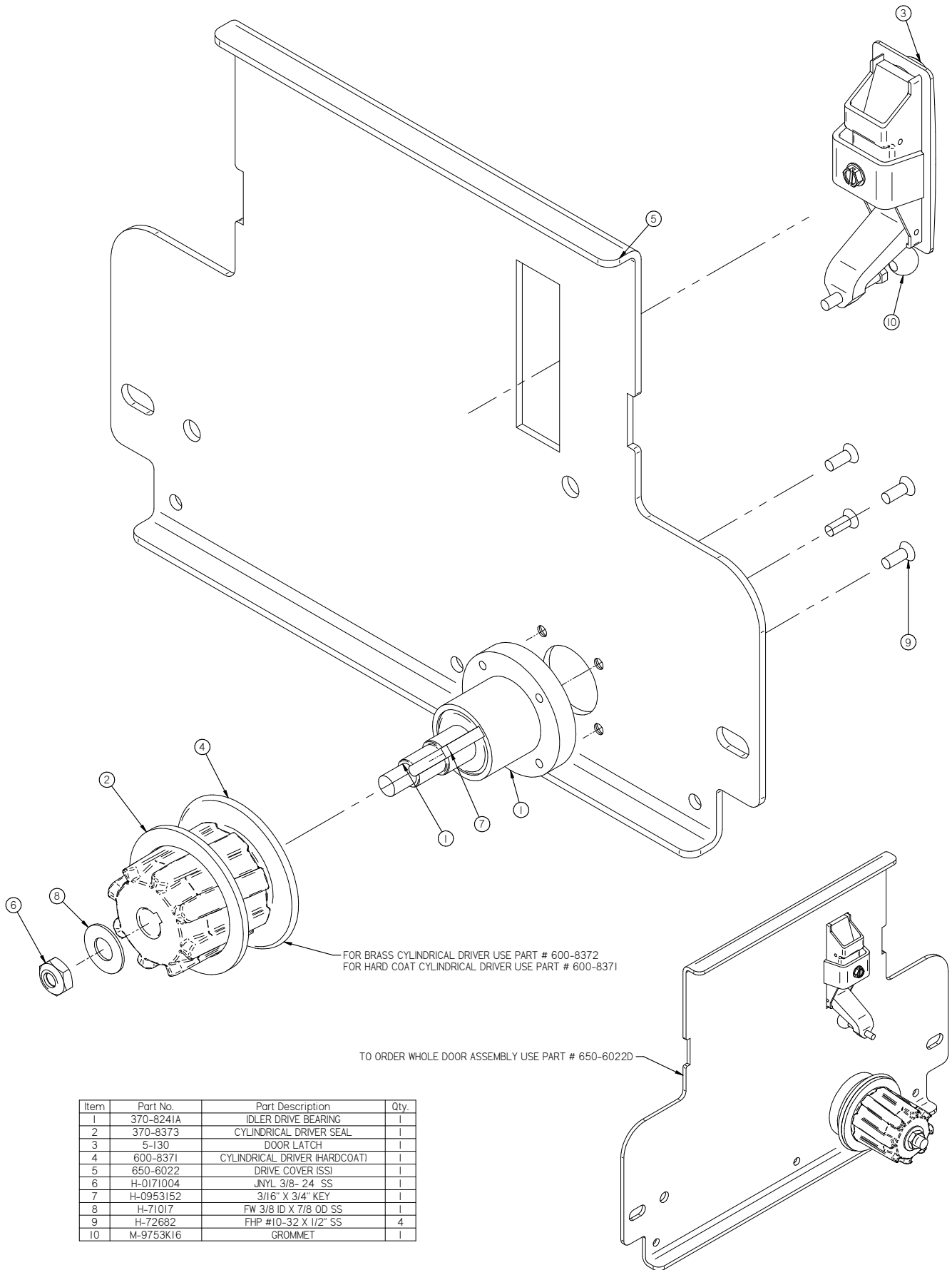


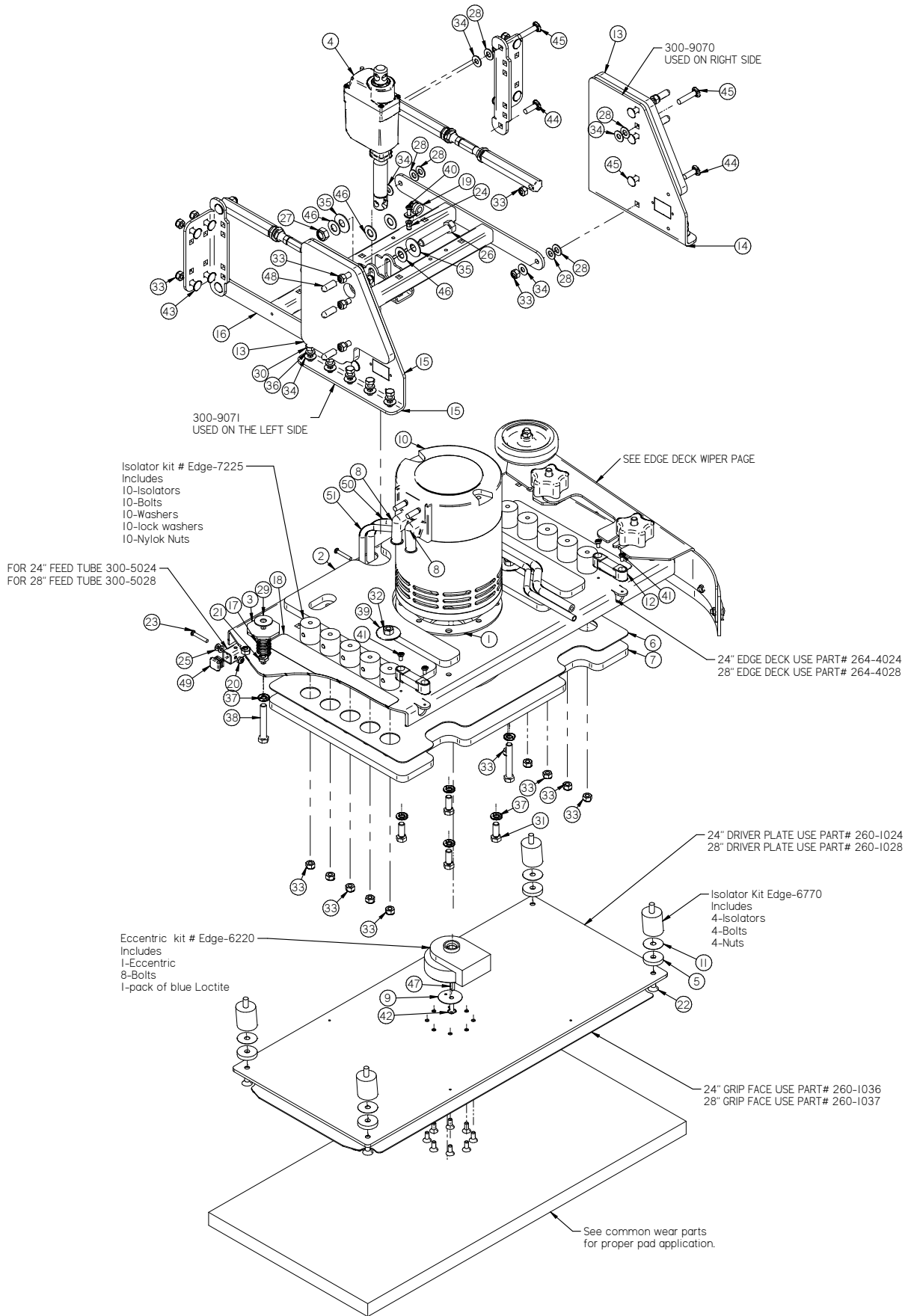
TO ORDER COMPLETE
(LH) WIPER ASSEMBLY
USE PART # 650-1242C



TO ORDER COMPLETE
(RH) WIPER ASSEMBLY
USE PART # 650-1241C

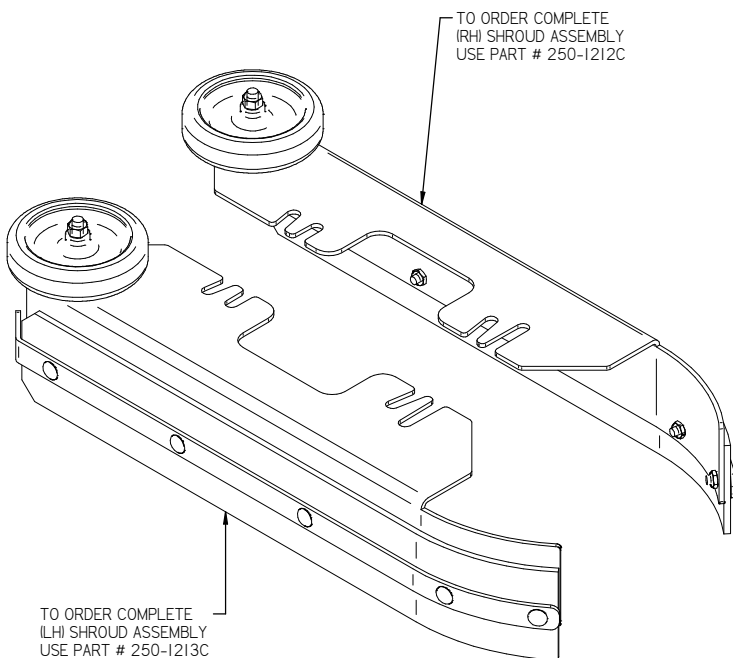
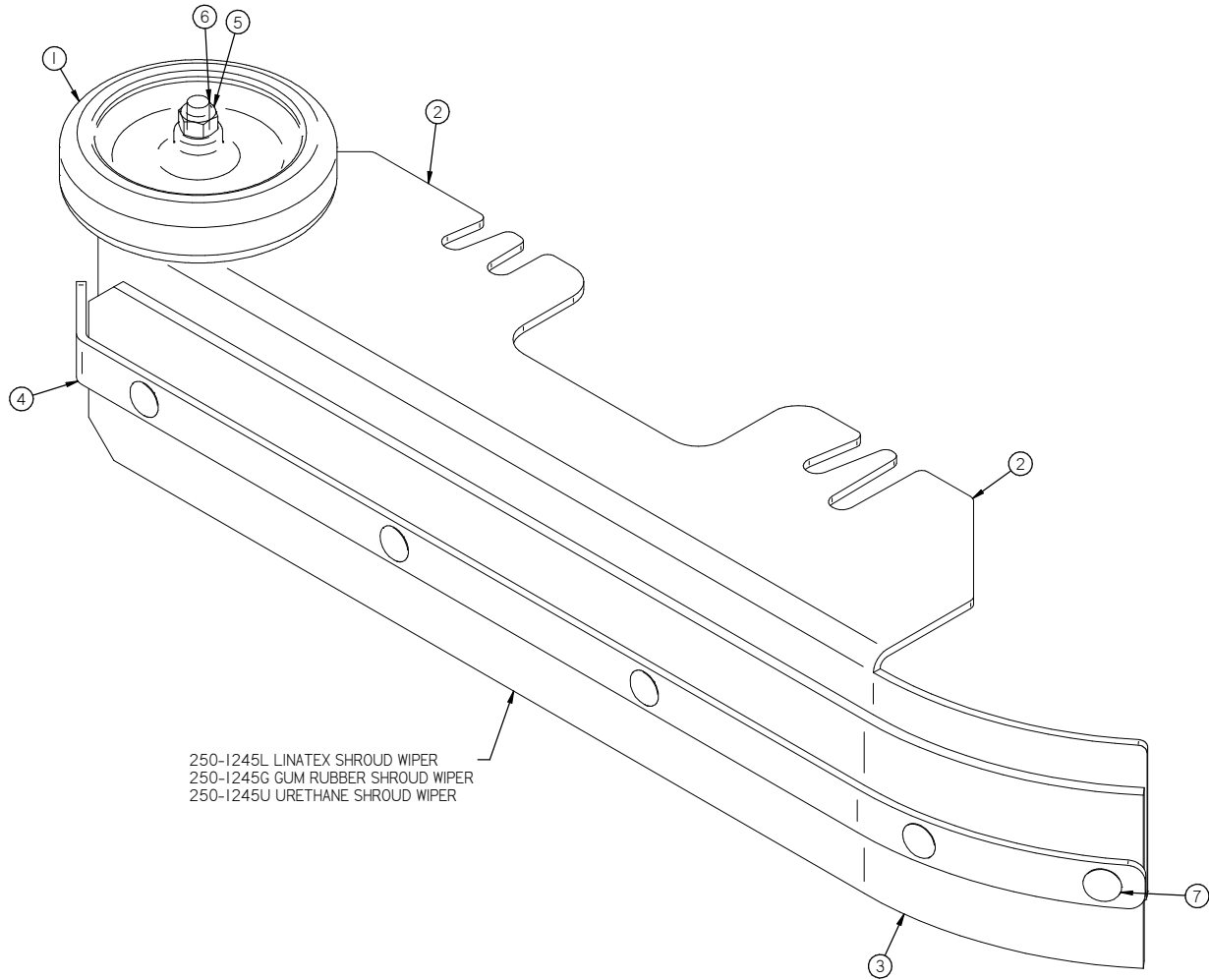
Item	Part No.	Part Description	Qty.
1	250-1236	WIPER BAND	1
2	370-4060	6" LANYARD	1
3	650-1243	SHROUD VERTICAL ARM	1
4	650-1245	SHROUD SIDE	1
5	700-1236	ADJUSTABLE WIPER ARM	1
6	700-1239	ADJUSTABLE ROD END (RH TREAD)	1
7	H-0156758	3/8" X 3-1/2" CLEVIS PIN	1
8	H-24268	FHSCS .312-18 X 1.125 SS	1
9	H-70710	HN 1/4"- 20 SS	1
10	H-70811	JNUT .312-18 SS	1
11	H-70858	NYLOK #10-32 SS	1
12	H-70923	KN #10-32 SS	1
13	H-71015	FW 5/16 ID X 3/4 OD SS	8
14	H-71171	HCS .25-20 X 1.5 FULL THREAD SS	1
15	H-71182	HCS 5/16"- 18 X 2" SS	1
16	H-72684	FHP 10-32 X 3/4" SS	1
17	H-73883	FHP 1/4"- 20 X 1" SS	1
18	H-73907	FHSCS 5/16"- 18 X 3/4" SS	1
19	H-74419	CB 1/4"- 20 X .75" SS	6
20	H-74429	CB 5/16"- 18 X 3/4" SS	2
21	H-96544	SPRING, 4-1/8" LG X 9/16" OD (42E)	1
22	H-NJ04C	JNYL 1/4" - 20 SS	9
23	H-NJ05C	JNYL 5/16"- 18 SS	5
24	H-RUE14	3/8" RUE RING COTTER	1
25	M-92391A044	HAIRPIN, 5/16" - 3/8" X 1-7/16" S/S	1





EDGE Decks

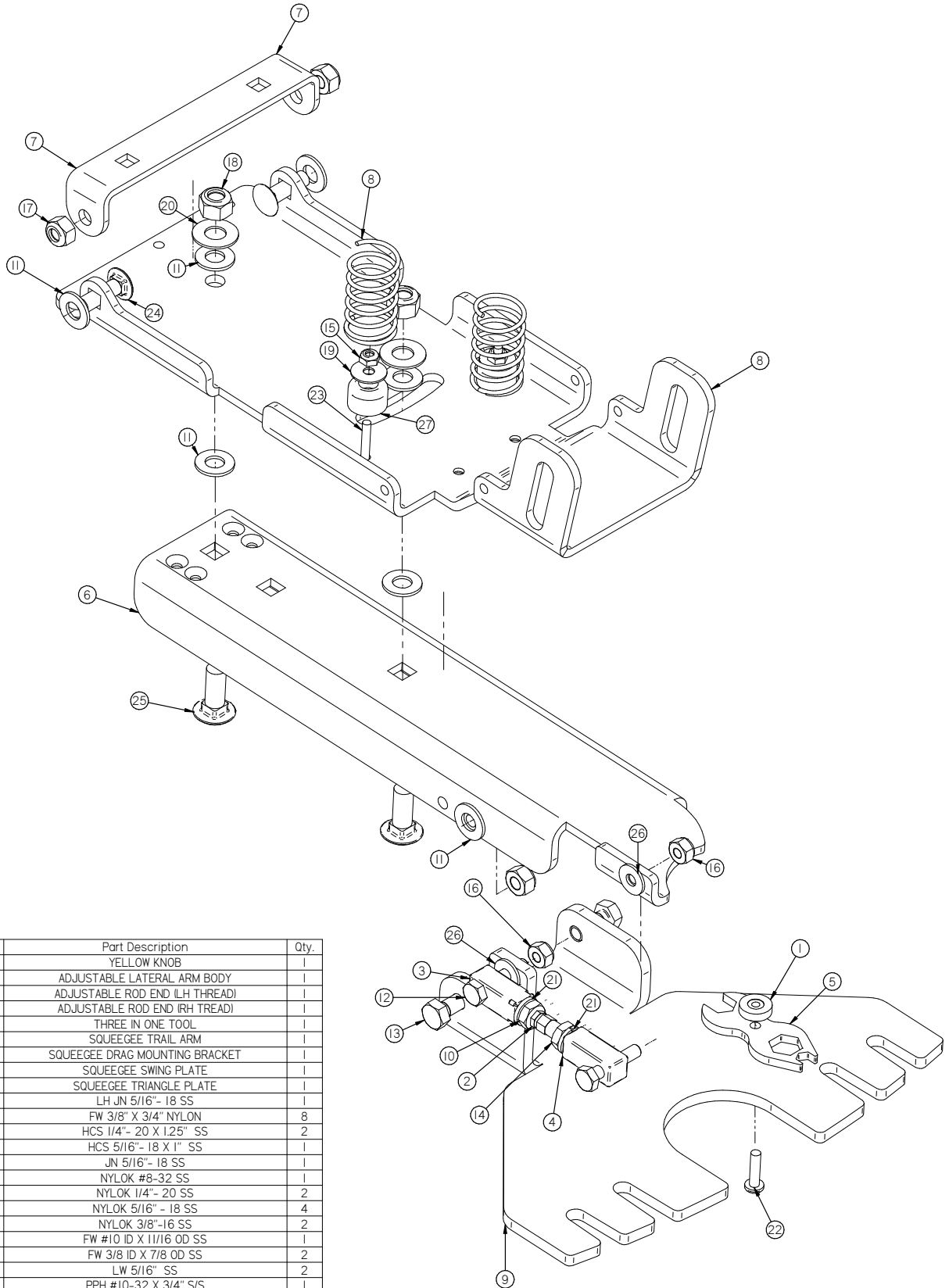
Item	Part No.	Part Description	Qty.
1	175-2505	MOTOR SHIM	1
2	175-4021	16.5 LBS WEIGHT	1
3	250-1184	SHROUD ADJ. KNOB (3/8-16 THREAD)	4
4	260-2215	2-1/2" STROKE ACTUATOR (36V 900Nm)	1
5	264-1033	1/4" SPACER	4
6	264-4026	WEIGHT GASKET	1
7	264-4027	26 LB LOWER WEIGHT	1
8	290-2780	TERMINAL BOOT, BLACK	2
9	300-01030Z	CRUSH WASHER	2
10	300-2600	36V,IHP,2700 RPM	1
11	300-3035	ISOLATOR SHIELD	4
12	300-4030	LEVEL	1
13	300-4035	5LB WEIGHT	2
14	300-9070	(LH) DECK LIFTING BRACKET	1
15	300-9071	(RH) DECK LIFTING BRACKET	1
16	300-9587	LATERAL ARM	1
17	4-386	LIFT LEVER SPRING	4
18	EDGE-7232	28" EDGE STICKER	2
19	H-0127290	1/2" LOOP CLAMP	2
20	H-0129155	JNYL #10-32, 18-8 S/S	3
21	H-0129158	JNYL 3/8- 16 SS	4
22	H-0171360	FHSCS .312-18 X .625 SS	1
23	H-0172522	CB #10-32 X 1-1/4" SS	3
24	H-1032HCN	HCN #10-32	2
25	H-11107629	FW #10 NYLON	6
26	H-38712	HCS M12-1.75 X 60MM ZINK	1
27	H-40171	NYLOK M12-1.75 ZINK	1
28	H-4440024	FW 3/8" X 3/4" NYLON	12
29	H-4440040	.375 ID X 1.125 OD RUBBER WASHER	4
30	H-70051	HCS 5/16"- 18 X 1/2"	10
31	H-70105	HCS 3/8"- 16 X 1" SS	4
32	H-70712	HN 3/8"-16 SS	2
33	H-70861	NYLOK 5/16" - 18 SS	38
34	H-71015	FW 5/16 ID X 3/4 OD SS	18
35	H-71021	FW 1/2 ID X 1-1/4 OD SS	2
36	H-71065	LW 5/16" SS	10
37	H-71067	LW 3/8" SS	10
38	H-71190	HCS 3/8"- 16 X 2-1/2" SS (FULLY THREADED)	6
39	H-71217	FW .375 ID X 1.5 OD SS	2
40	H-72517	PPH #10-32 X 5/8" SS	2
41	H-72562	PPH #10-32 X 3/8" S/S	4
42	H-73754	BHSCS 1/4 - 20 X 3/4" SS	2
43	H-74429	CB 5/16"- 18 X 3/4" SS	8
44	H-74430	CB 5/16"- 18 X 1" SS	4
45	H-74432	CB 5/16"- 18 X 1-1/2" SS	10
46	H-76065	FW 1/2" NYLON	4
47	H-K14320	3/16" X 1 1/4" KEY	1
48	M-6448K97	9/32" x 1in long Push on Thread Cap	6
49	M-9565K5	3/4 X 3/4 SQ TUBE PLUG	2
50	T-025C2300	SOLUTION HOSE	1
51	T-375C2300	ZERO HOSE	1



TO ORDER COMPLETE
 IRHI SHROUD ASSEMBLY
 USE PART # 250-1212C

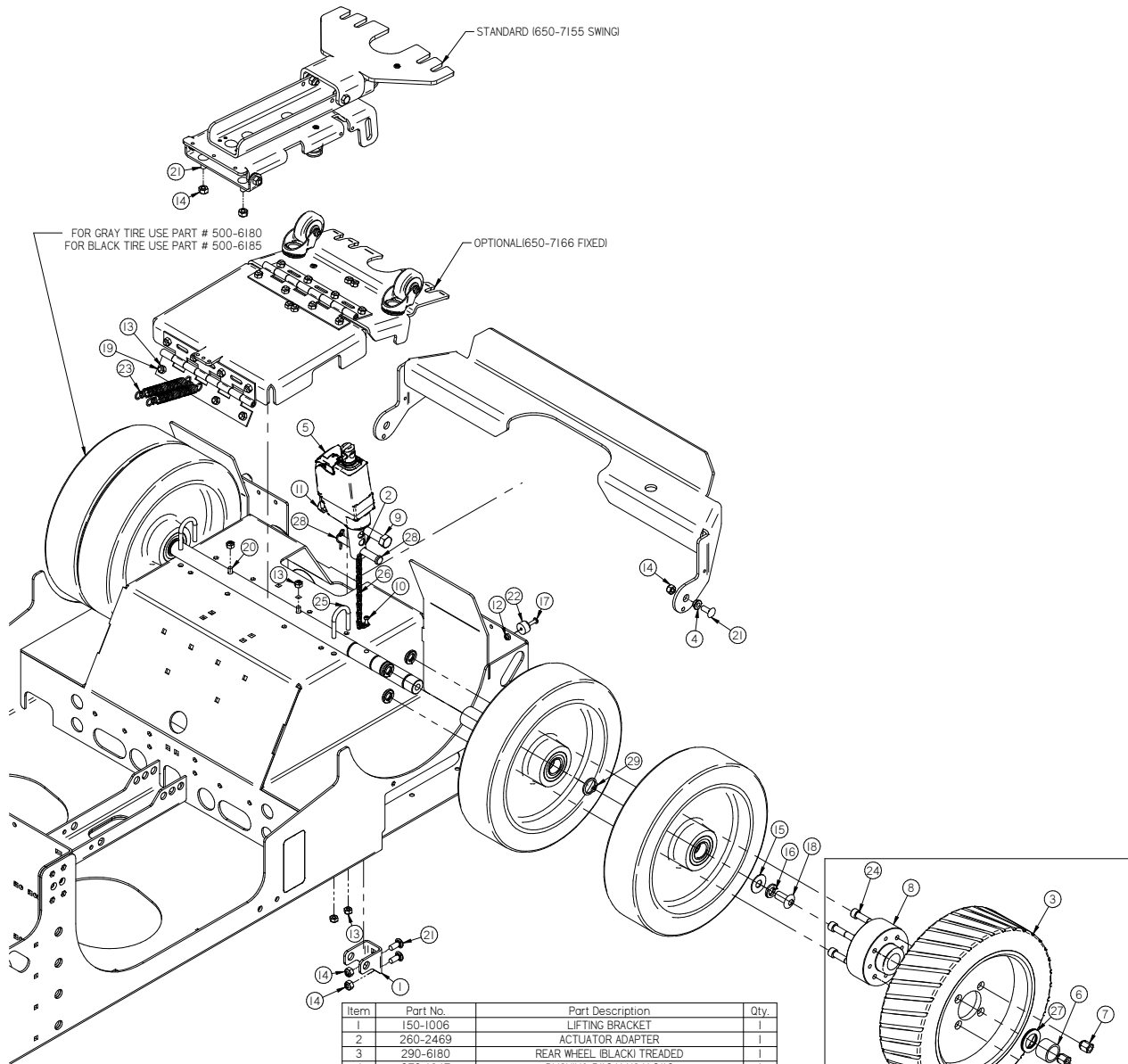
Item	Part No.	Part Description	Qty.
1	150-7600	4" SIDE WHEEL (GREY)	1
2	250-1213	SHROUD WIPER ILHI	1
3	250-1245	EDGE SHROUD WIPER	1
4	250-1246	EDGE WIPER BAND	1
5	H-70861	NYLOK 5/16" - 18 SS	1
6	H-74401	CB 5/16"- 18 X 1-3/4" SS	1
7	H-74419	CB 1/4"- 20 X .75" SS	5
8	H-NJ04C	JNYL 1/4" - 20 SS	5

Squeegee Trail Arm - Standard



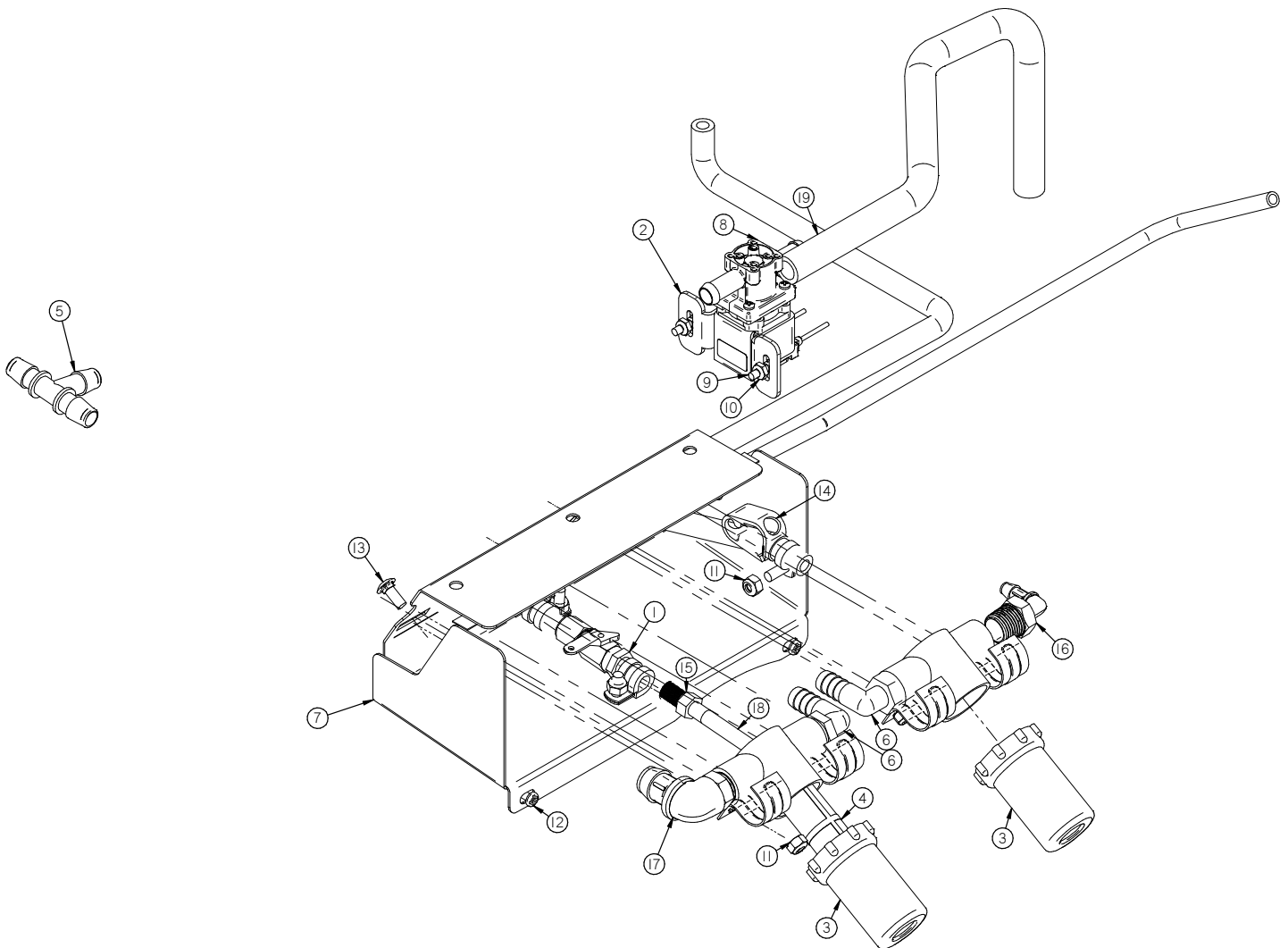
Item	Part No.	Part Description	Qty.
1	175-4180	YELLOW KNOB	1
2	175-8420	ADJUSTABLE LATERAL ARM BODY	1
3	175-9583	ADJUSTABLE ROD END LH THREAD	1
4	175-9584	ADJUSTABLE ROD END RH THREAD	1
5	260-0001	THREE IN ONE TOOL	1
6	500-7151	SQUEEGEE TRAIL ARM	1
7	500-7613	SQUEEGEE DRAG MOUNTING BRACKET	1
8	600-7141	SQUEEGEE SWING PLATE	1
9	600-7611	SQUEEGEE TRIANGLE PLATE	1
10	H-36904	LH JN 5/16" - 18 SS	1
11	H-4440024	FW 3/8" X 3/4" NYLON	8
12	H-70007	HCS 1/4" - 20 X 1.25" SS	2
13	H-70055	HCS 5/16" - 18 X 1" SS	1
14	H-70711	JN 5/16" - 18 SS	1
15	H-70856	NYLOK #8-32 SS	1
16	H-70860	NYLOK 1/4" - 20 SS	2
17	H-70861	NYLOK 5/16" - 18 SS	4
18	H-70862	NYLOK 3/8"-16 SS	2
19	H-71010	FW #10 ID X 11/16 OD SS	1
20	H-71017	FW 3/8 ID X 7/8 OD SS	2
21	H-71065	LW 5/16" SS	2
22	H-72534	PPH #10-32 X 3/4" S/S	1
23	H-72645	FHP #8-32 X 1.0"	2
24	H-74430	CB 5/16" - 18 X 1" SS	1
25	H-74436	CB 3/8" - 16 X 1.0" SS	2
26	H-76061	FW 1/4" NYLON	2
27	H-9540	RUBBER BUMPER, 25/32"	2

Attaching Squeegee Trail Arm, Bumper, & Axle

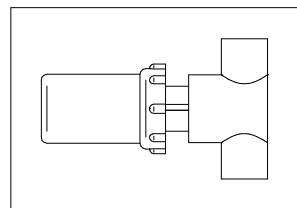


Item	Part No.	Part Description	Qty.
1	150-1006	LIFTING BRACKET	1
2	280-2469	ACTUATOR ADAPTER	1
3	290-6180	REAR WHEEL (BLACK) TREADED	1
4	370-1247	BUSHING 5/16 X 1/2 X 3/16	1
5	600-2210	2.0" STROKE ACTUATOR (36V 600Nmm)	1
6	600-7151	OUTER AXLE SPACER	1
7	650-6170	LUG NUT	1
8	650-6173-01	WHEEL HUB	1
9	H-11567651	HCS M12-1.75 X 40MM ZINK	1
10	H-31810	#10-16 X 1/2 DRILL TAP	1
11	H-40171	NYLOK M12-1.75 ZINK	1
12	H-70858	NYLOK #10-32 SS	2
13	H-70860	NYLOK 1/4"- 20 SS	3
14	H-70861	NYLOK 5/16" - 18 SS	4
15	H-71021	FW 1/2 ID X 1-1/4 OD SS	1
16	H-71071	LW 1/2" SS	1
17	H-72416	PPHMS #10-32 X 3/4" S/S	2
18	H-73834	BHSCS 1/2- 13 X 1" SS	1
19	H-74418	CB 1/4"- 20 X 5/8" S/S	1
20	H-74422	CB 1/4"- 20 X 1-1/2" SS	1
21	H-74429	CB 5/16"- 18 X 3/4" SS	3
22	H-9540	RUBBER BUMPER, 25/32"	1
23	H-96544	SPRING, 4-1/8" LG, 9/16 OD, (42E)	1
24	H-77777	SHCS 3/8"- 16 X 1 1/4" SS	1
25	M-3043T13	1/4-20 X 1.0" U-BOLT	1
26	M-3608T24	6" GOLD GRONDING CHAIN	1
27	M-5909K36	Needle-Roller Thrust Bearing	1
28	M-92390A327	7/16" X 3-1/2" CLEVIS PIN	1
29	M-98585A121	1 INCH EXTERNAL RETAINING RING	1

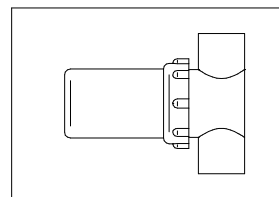
To order full assembly use
Part # 600-9078



Item	Part No.	Part Description	Qty.
1	170-4158	1/4" NPT VALVE	1
2	175-5280	VALVE BRACKET	1
3	175-9130C	Filter Cap	2
4	175-9130S	Black Filter Screen (40 mesh)	1
5	5-446	1/2" PLASTIC BARB TEE	1
6	5-447	1/2 NPT X 1/2" BARB ELBOW	2
7	600-9141	SERVICE TRAY	1
8	650-4500	36V VALVE	1
9	H-0172519	CB #10-32 X 5/8" SS	1
10	H-70858	NYLON #10-32 SS	1
11	H-70860	NYLON 1/4"- 20 SS	2
12	H-72534	PPH #10-32 X 3/4" S/S	1
13	H-74418	CB 1/4"- 20 X 5/8" S/S	1
14	M-5031K12	CLAMP STYLE PINCH VALVE	1
15	M-5463K445	.25 NPT X .25 BARB	1
16	M-5463K505	.375 BARB X .50 NPT MALE	1
17	M-5463K523	.75 BARB X .5 NPT MALE	1
18	M-9117T2G	BULK 1/4" ID X 5' CLEAR SILICONE ZERO HOSE	1
19	T-050R6000	BULK 1/2" ID X 5' WIRE REINFORCED SOLUTION HOSE	1

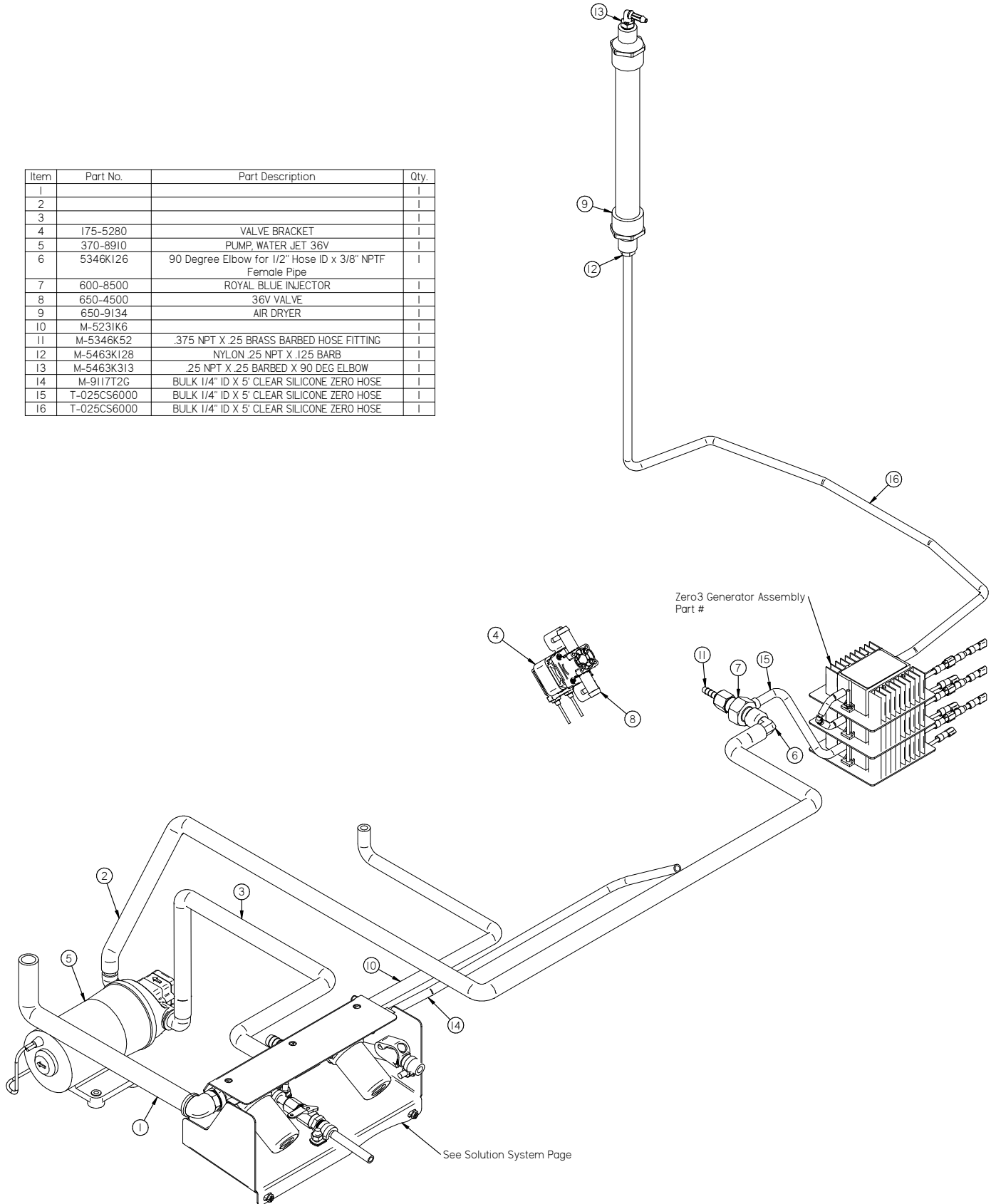


To order complete assembly with filter use Part # 175-9130



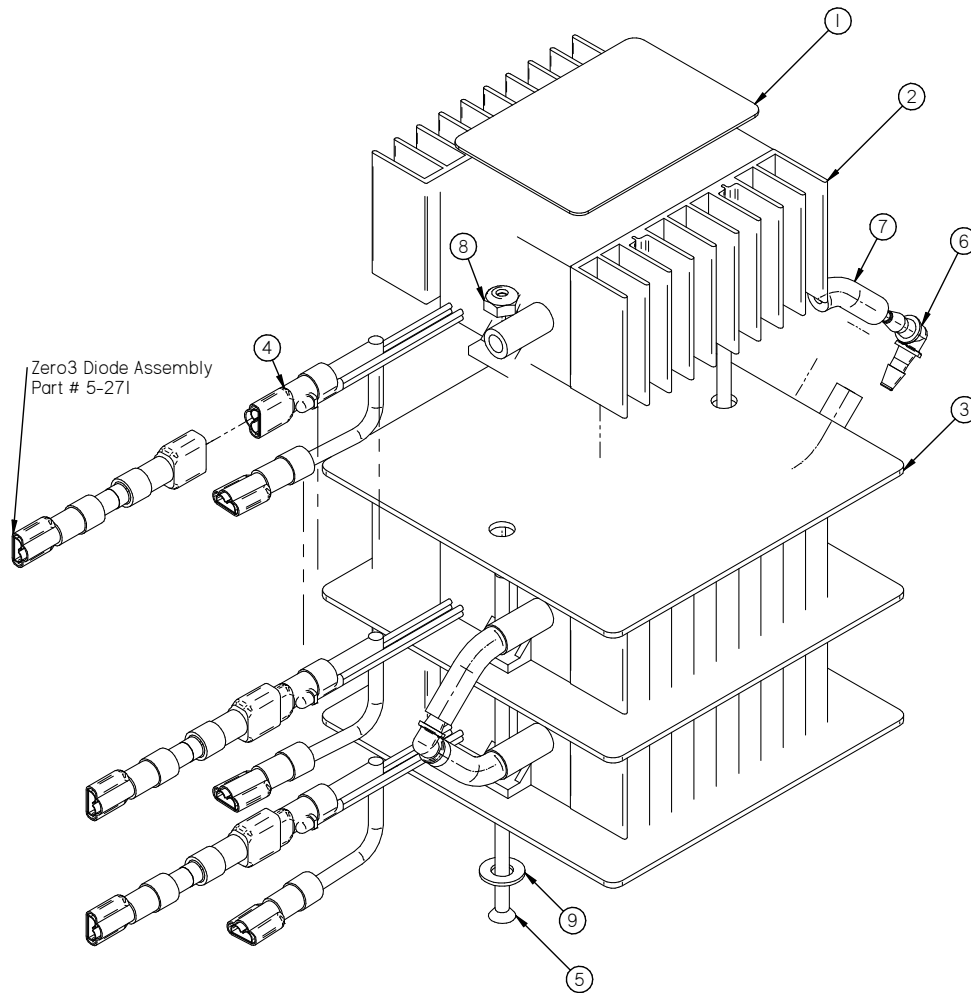
To order complete assembly without filter use Part # 175-9140

Item	Part No.	Part Description	Qty.
1			1
2			1
3			1
4	175-5280	VALVE BRACKET	1
5	370-8910	PUMP, WATER JET 36V	1
6	5346K126	90 Degree Elbow for 1/2" Hose ID x 3/8" NPTF Female Pipe	1
7	600-8500	ROYAL BLUE INJECTOR	1
8	650-4500	36V VALVE	1
9	650-9134	AIR DRYER	1
10	M-5231K6		1
11	M-5346K52	.375 NPT X .25 BRASS BARBED HOSE FITTING	1
12	M-5463K128	NYLON .25 NPT X .125 BARB	1
13	M-5463K313	.25 NPT X .25 BARBED X 90 DEG ELBOW	1
14	M-9117T2G	BULK 1/4" ID X 5' CLEAR SILICONE ZERO HOSE	1
15	T-025CS6000	BULK 1/4" ID X 5' CLEAR SILICONE ZERO HOSE	1
16	T-025CS6000	BULK 1/4" ID X 5' CLEAR SILICONE ZERO HOSE	1

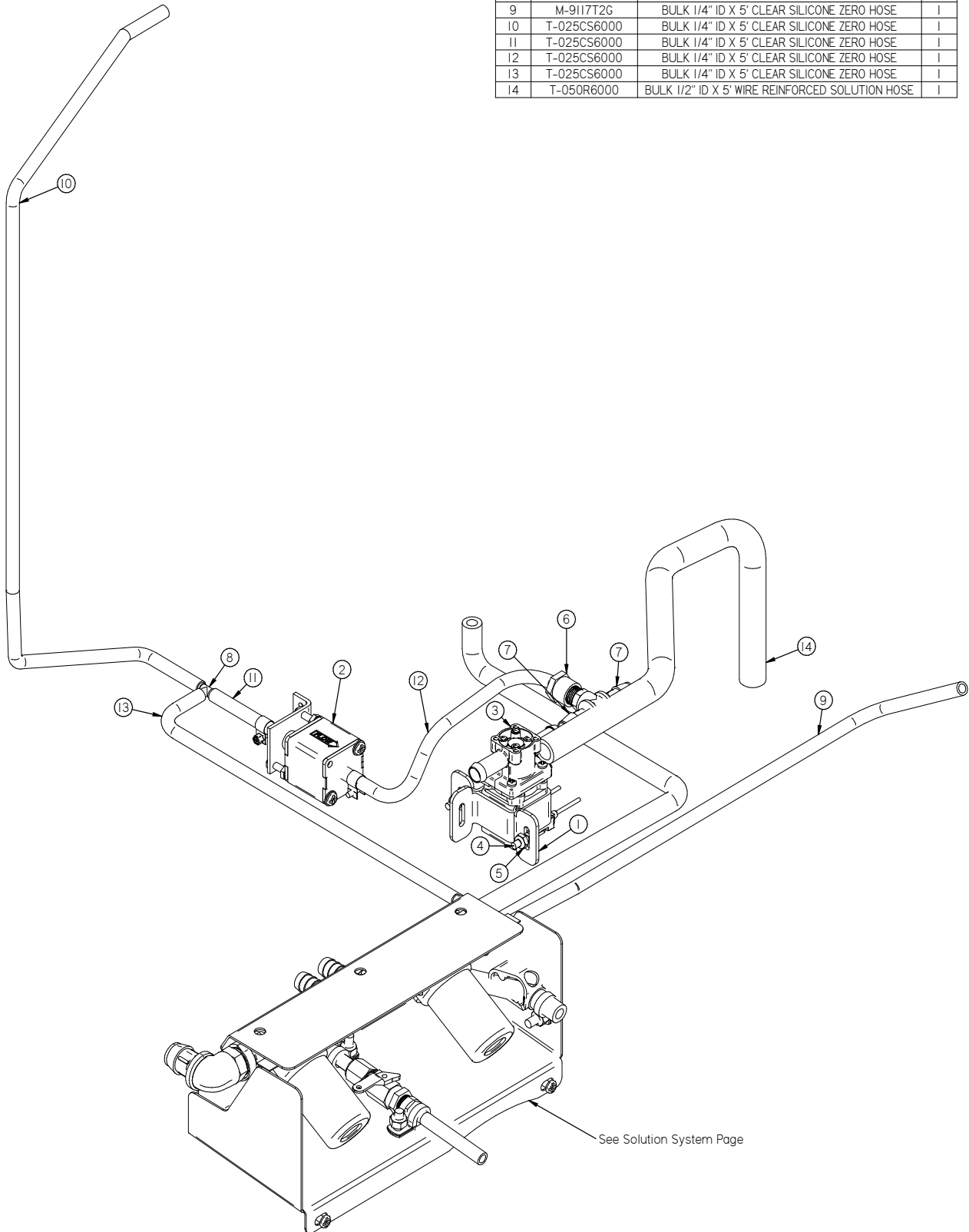


ZERO3 System

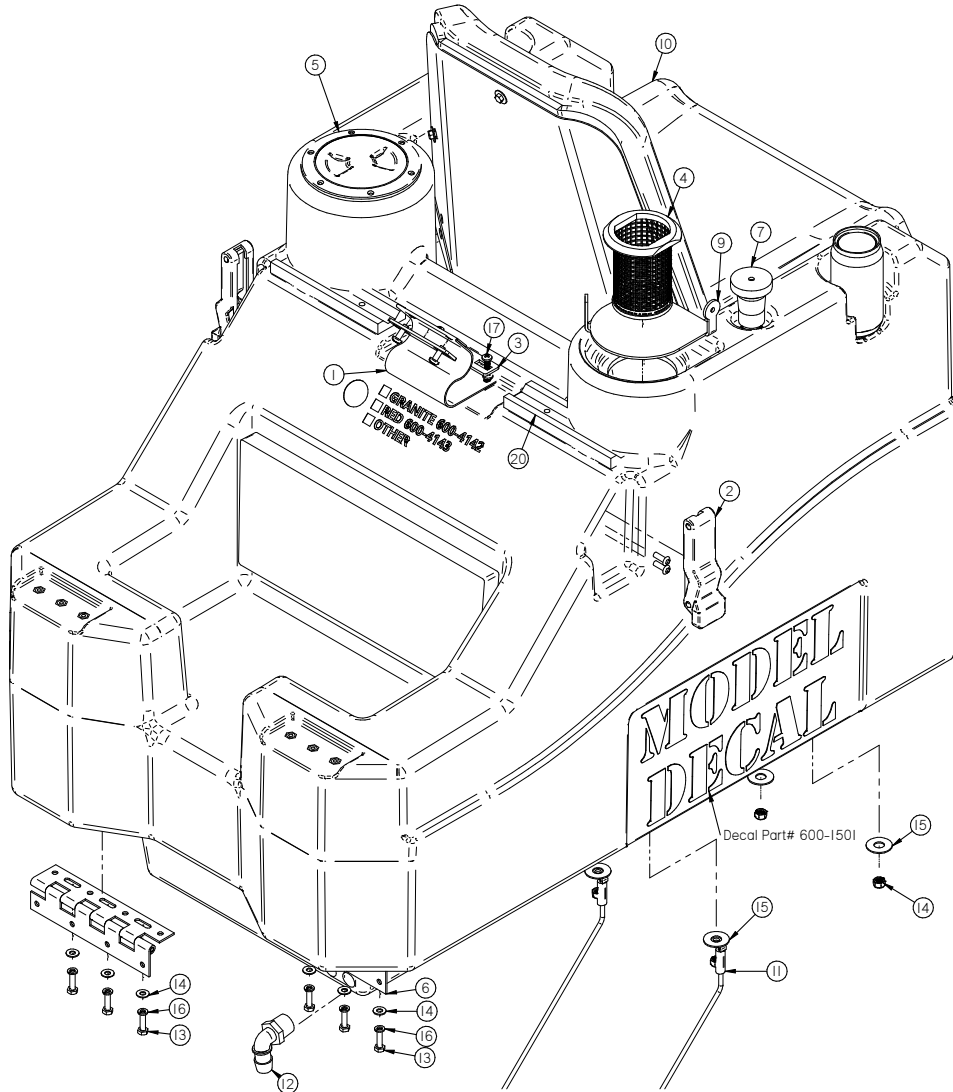
Item	Part No.	Part Description	Qty.
1	I23-1845	Zero3 Generator Decal	1
2	I23-2335	CORONA GENERATOR	1
3	700-2336	GENERATOR INSULATOR	1
4	E-16GF	FEMALE WIRE CLIP	1
5	H-0146794	FHSCS #6-32 X 4" S/S	1
6	H-06584	Elbow, 1/8" Barb x 1/8" Barb PVDF Material	1
7	H-54343	Bulk 1/4" ID Clear Silicone ZERO Hose Sold by the Foot	1
8	H-70855	NYLOK #6-32 SS	1
9	H-71009	FW #10 SS	1



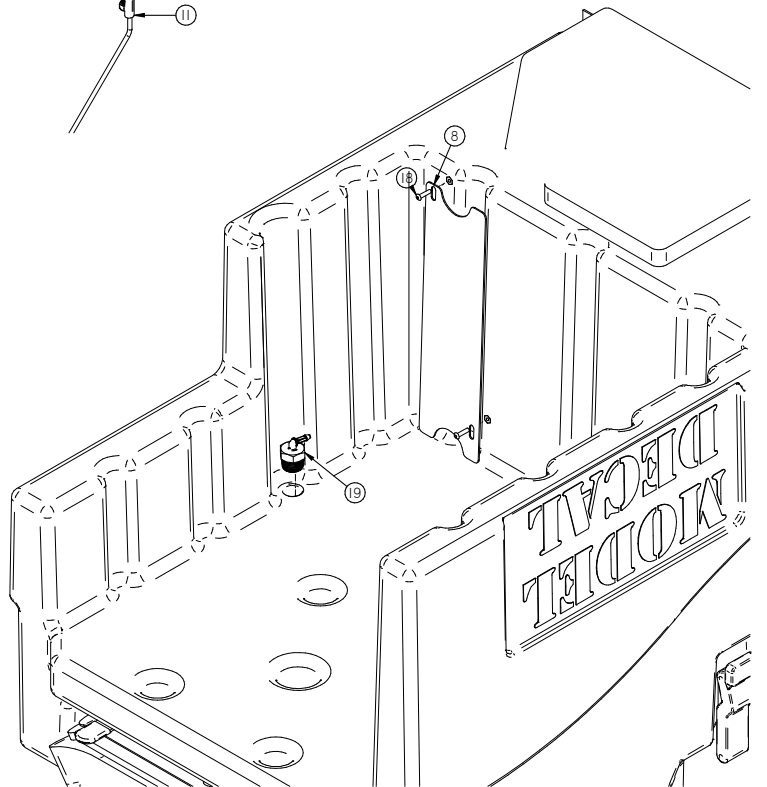
Item	Part No.	Part Description	Qty.
1	175-5280	VALVE BRACKET	2
2	395-8500	METERING PUMP	1
3	650-4500	36V VALVE	1
4	H-0172519	CB #10-32 X 5/8" SS	1
5	H-70858	NYLOK #10-32 SS	1
6	M-5463K439	.1875 Barbed Tube Fitting X .25 FNPT	2
7	M-5463K554	.25 NPT X .50 BARBED TEE	2
8	M-5463K606	1/4" X 1/4" PLASTIC BARBED TEE	1
9	M-9117T2G	BULK 1/4" ID X 5' CLEAR SILICONE ZERO HOSE	1
10	T-025CS6000	BULK 1/4" ID X 5' CLEAR SILICONE ZERO HOSE	1
11	T-025CS6000	BULK 1/4" ID X 5' CLEAR SILICONE ZERO HOSE	1
12	T-025CS6000	BULK 1/4" ID X 5' CLEAR SILICONE ZERO HOSE	1
13	T-025CS6000	BULK 1/4" ID X 5' CLEAR SILICONE ZERO HOSE	1
14	T-050R6000	BULK 1/2" ID X 5' WIRE REINFORCED SOLUTION HOSE	1

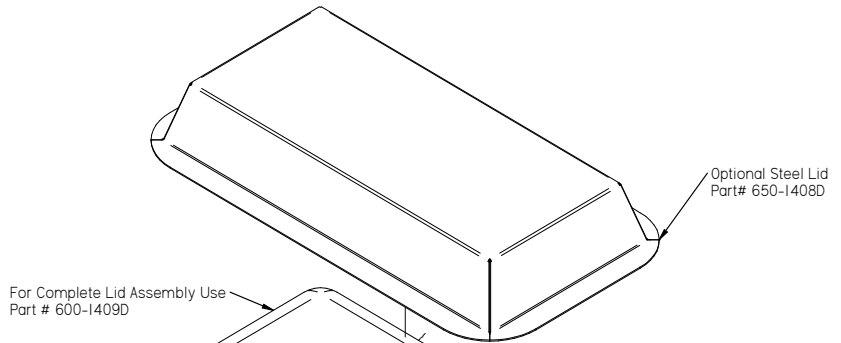


Solution Tank

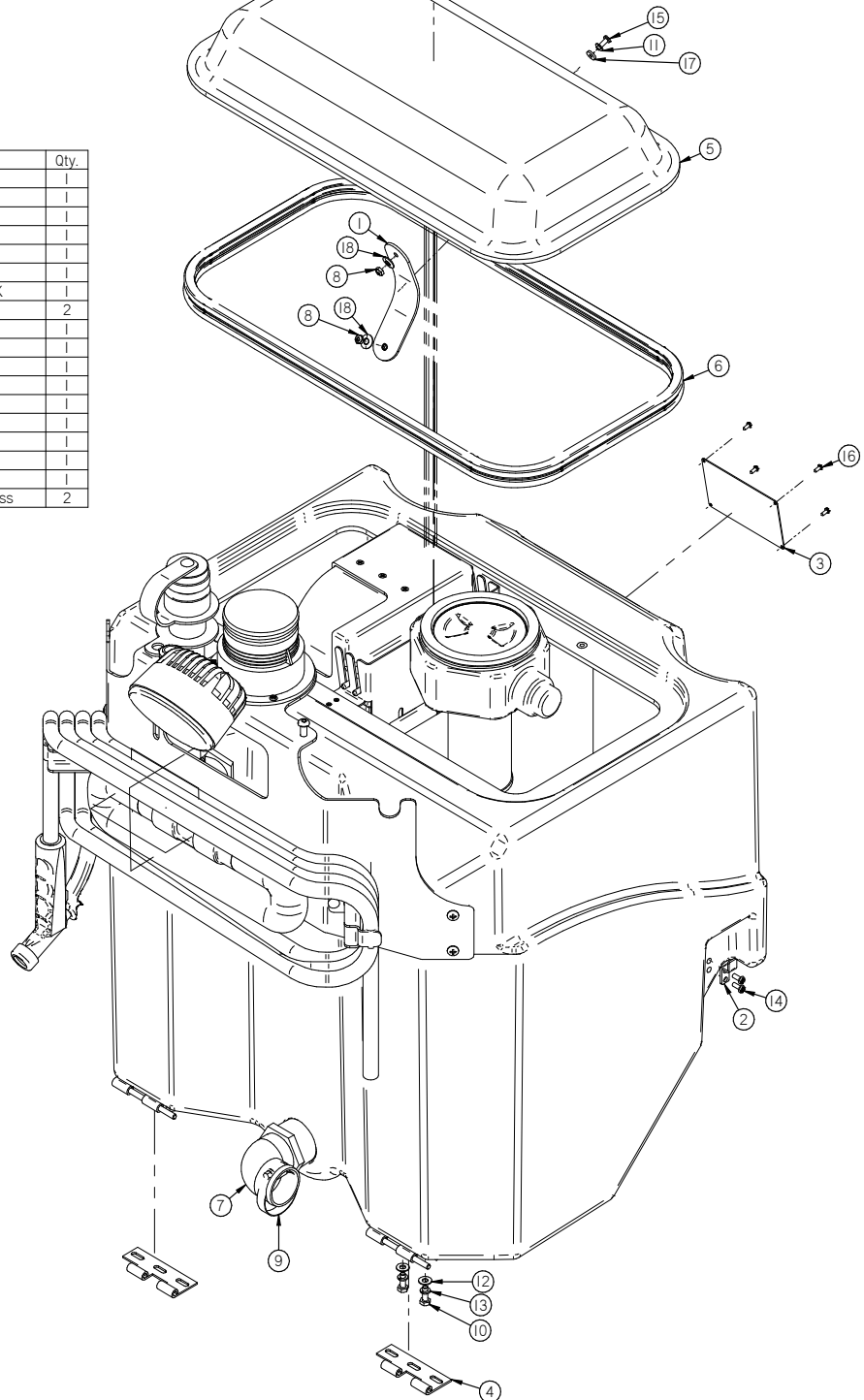


Item	Part No.	Part Description	Qty.
1	170-1045	TANK STRAP, 22" LG X 4" WIDE	1
2	250-1240	LATCH	1
3	253-1040	TANK STRAP SUPPORT	1
4	260-8910	SOLUTION FILL BASKET	1
5	400-4250	4" Clear Access Port	1
6	5-122	8" SS HINGE	1
7	500-1380	FILL HOSE	1
8	600-4139	WIRE AND HOSE RETAINER	1
9	650-1129	SOLUTION FILL FLAP	1
10	650-1430	SEAT WITHOUT ARM RESTS	1
11	650-7890	HOOD CABLE	1
12	H-04907	3/4" NPT TO 3/4" BARBED ELBOW	1
13	H-70005	HCS 1/4" - 20 X 1" SS	6
14	H-71013	FW 1/4 ID X 5/8 OD SS	6
15	H-71021	FW 1/2 ID X 1-1/4 OD SS	4
16	H-71063	LW 1/4" SS	6
17	H-71893	1/4 X 3/4 SELF TAPPING SCREW	1
18	H-73745	BHSCS .10-.32 X 3/4" SS	1
19	M-5463K496	.75 NPT X .25 BARBED X 90 DEG.par	1
20	M-8146A44	GREY TANK RUBBER 7.25 INCH.par	1

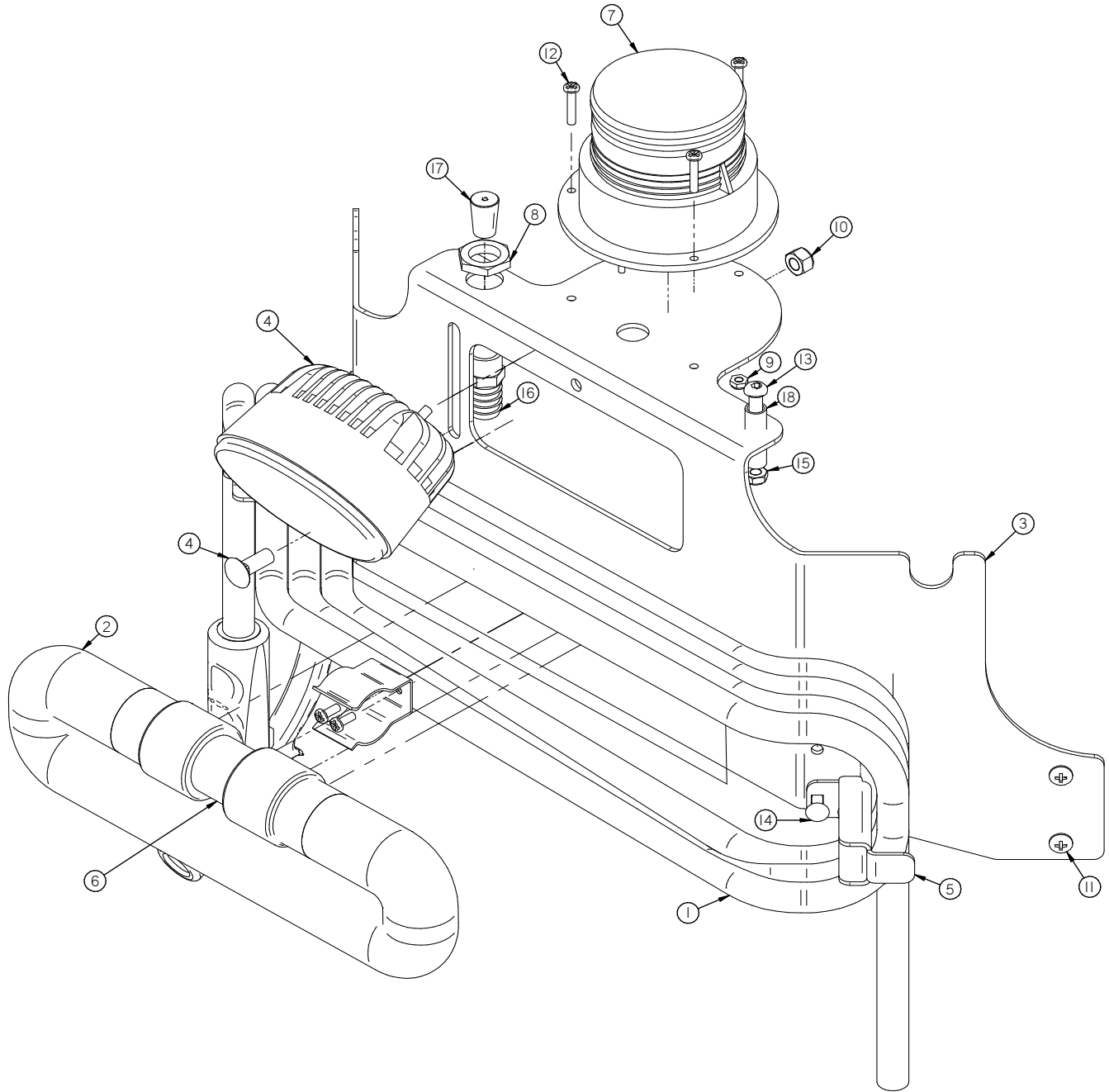




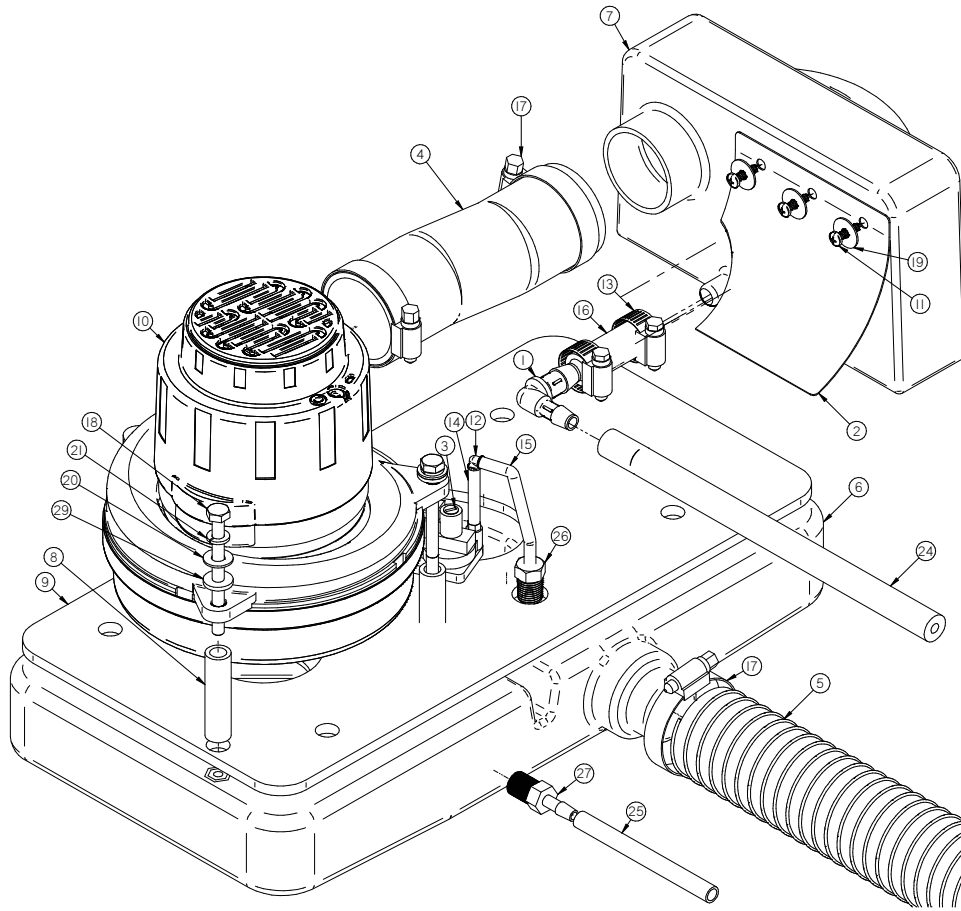
Item	Part No.	Part Description	Qty.
1	175-1412	TANK LID STRAP W/GROMMETS	1
2	250-1240	CLIP	1
3	5-728	DETERGENT WARNING PLATE	1
4	600-1220	4" SS HINGE	1
5	600-1409	GTX TINTED RECOVERY LID	1
6	600-1415	PUSH-ON RUBBER GASKET	1
7	600-7040	2" NPT X 2" BARB STREET ELBOW, BLACK	1
8	H-0129155	JNYL #10-32, 18-8 S/S	2
9	H-62046	CLAMP 1 9/16 - 2 1/2" SS	1
10	H-70003	HCS 1/4"-20 X 3/4" SS	1
11	H-71009	FW #10 SS	1
12	H-71013	FW 1/4 ID X 5/8 OD SS	1
13	H-71063	LW 1/4" SS	1
14	H-72515	PPH #10-32 X 1/2" S/S	1
15	H-72517	PPH #10-32 X 5/8" SS	1
16	H-72902	PPH SMS #6 X 3/8" SS	1
17	H-90133	.17 ID X .5 OD X .093 NEOPRENE WASHER	1
18	M-91235A112	Belleville Spring Lock Washer, 1/4 stainless	2



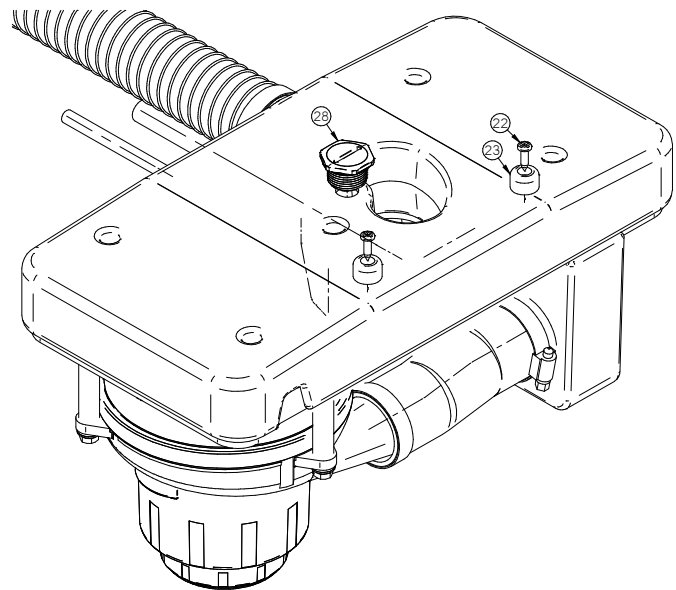
Rear Options



Item	Part No.	Part Description	Qty.
1	290-8960	Blue Hose 18'	1
2	349-0111	TANK TO VAC WAND HOSE	1
3	600-7179	TANK UTILITY HANDLE	1
4	650-2910	BLUE WARNING LIGHT	1
5	650-4043	HOSE WRAP	2
6	7-884	COUPLER, S/S	1
7	8-293	STROBE LIGHT	1
8	H-68600	1/2" NPT BRASS NUT	1
9	H-70858	NYLOK #10-32 SS	1
10	H-70862	NYLOK 3/8"-16 SS	1
11	H-71894	#14 X 1" SELF TAPPING SCREW SS	4
12	H-72536	PPH #10-32 X 1" S/S	3
13	H-73780	BHSCS 5/16-18 X 1	1
14	H-74418	CB 1/4"- 20 X 5/8" S/S	4
15	H-NJ05C	JNYL 5/16"- 18 SS	1
16	M-5346K68	.50 NPT X .75 BARB	1
17	M-9545K114	17/32" to 39/64" ID Hole Plug	1
18	T-0375B6000	THREAD COVER BLACK TUBING	1

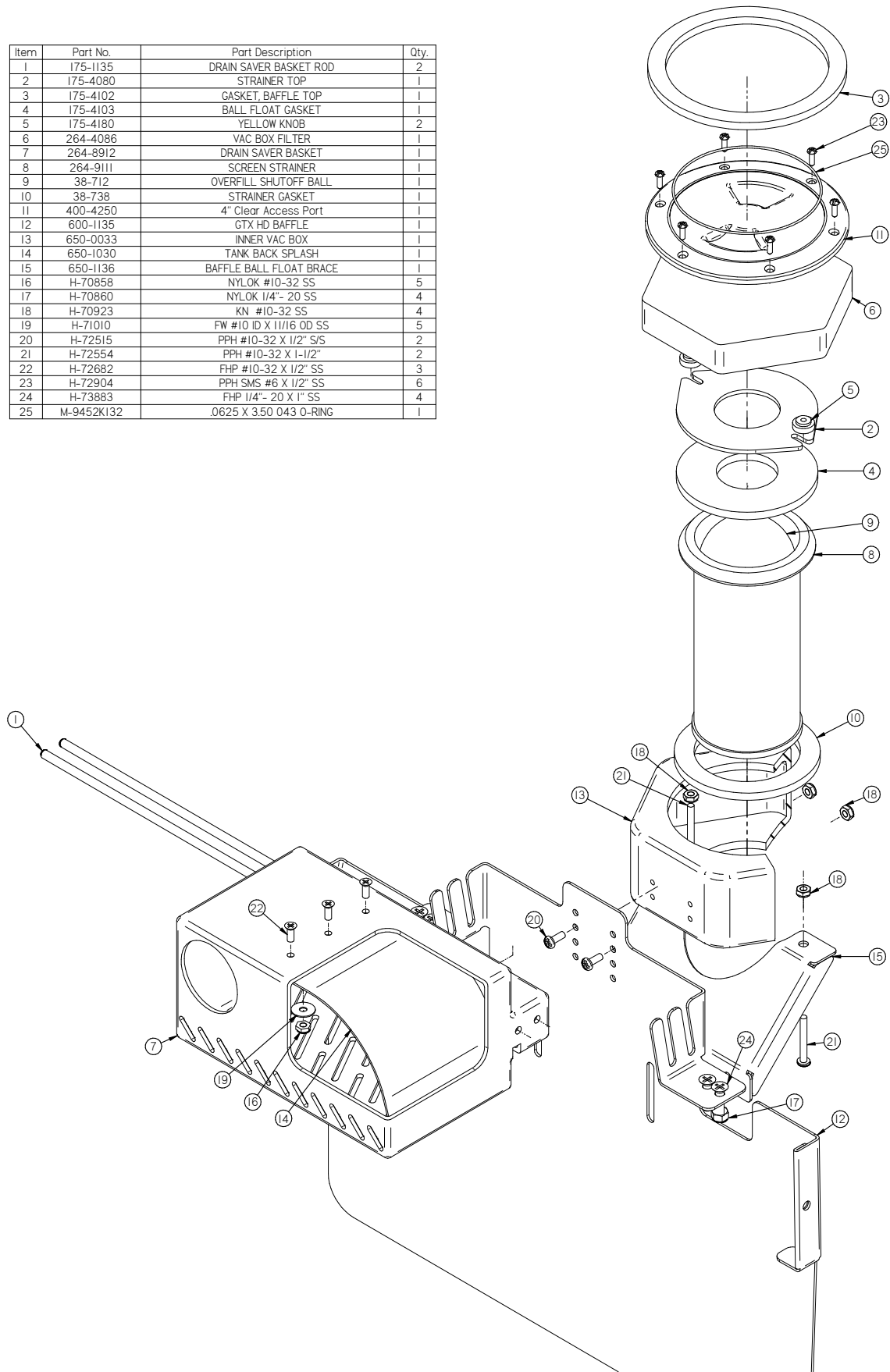


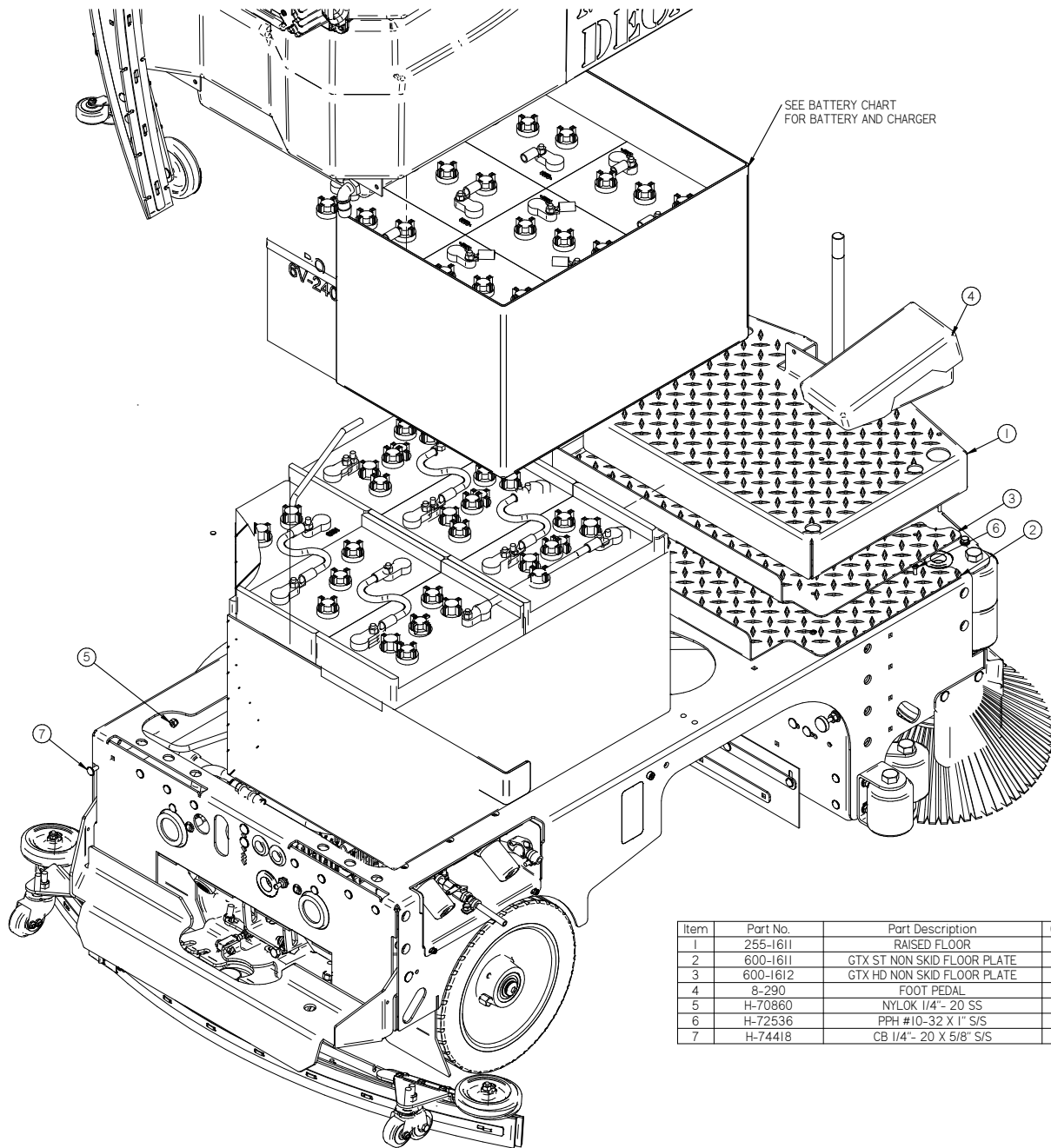
Item	Part No.	Part Description	Qty.
1	10436-06990	Fitting, Reducer, Elbow, 1/2x3/8	1
2	175-1029	TANK BACK SPLASH	1
3	175-2328	SWITCH, VACUUM SHUTOFF	1
4	253-0121	Hose, 2.0" ID Grey 27" L, No Cuffs	1
5	650-0115	VAC BOX TO TANK HOSE	1
6	650-1146	GTR VAC BOX	1
7	650-1148	GTR VAC MUFFLER WALL	1
8	650-2600	SPACER, 2-1/8" LG	3
9	650-3001	VAC MOTOR GASKET	1
10	650-5250	36 V VAC MOTOR	1
11	72916	PPH SMS #8-15 x 3/4 SS	3
12	H-06584	Elbow, 1/8" Barb x 1/8" Barb PVDF Material	1
13	H-081	CLAMP 7/16" - 25/32" SS	2
14	H-52335	Clear Hose 1/8 PVC	1
15	H-52335	Clear Hose 1/8 PVC	1
16	H-53933	Hose 1/2" ID PVC Reinforced	1
17	H-62046	CLAMP 1 9/16 - 2 1/2" SS	3
18	H-70015	HCS 1/4" - 20 X 3.0" SS	3
19	H-71010	FW #10 ID X 1 1/16 OD SS	3
20	H-71013	FW 1/4 ID X 5/8 OD SS	3
21	H-71063	LW 1/4" SS	3
22	H-72916	PPH SMS #8 X 3/4" SS	2
23	H-9540	RUBBER BUMPER, 25/32"	2
24	M-5231K6	Hose 3/8ID x 1/2OD Black PVC per foot	1
25	M-5288K12YE	Hose, 3/8ID x 5/8" OD, Yellow	1
26	M-5463K439	1/8" Tube ID x 1/4 NPT Male	1
27	M-5463K439	25 NPT X 1.125 BARB	1
28	M-7280K17	3/4 NPT	1
29	M-90130A029	.25" NEOPRENE WASHER	3



Tank Baffle Assembly

Item	Part No.	Part Description	Qty.
1	175-1135	DRAIN SAVER BASKET ROD	2
2	175-4080	STRAINER TOP	1
3	175-4102	GASKET, BAFFLE TOP	1
4	175-4103	BALL FLOAT GASKET	1
5	175-4180	YELLOW KNOB	2
6	264-4086	VAC BOX FILTER	1
7	264-8912	DRAIN SAVER BASKET	1
8	264-9111	SCREEN STRAINER	1
9	38-712	OVERFILL SHUTOFF BALL	1
10	38-738	STRAINER GASKET	1
11	400-4250	4" Clear Access Port	1
12	600-1135	GTX HD BAFFLE	1
13	650-0033	INNER VAC BOX	1
14	650-1030	TANK BACK SPLASH	1
15	650-1136	BAFFLE BALL FLOAT BRACE	1
16	H-70858	NYLOK #10-32 SS	5
17	H-70860	NYLOK 1/4"- 20 SS	4
18	H-70923	KN #10-32 SS	4
19	H-71010	FW #10 ID X 11/16 OD SS	5
20	H-72515	PPH #10-32 X 1/2" S/S	2
21	H-72554	PPH #10-32 X 1-1/2"	2
22	H-72682	FHP #10-32 X 1/2" SS	3
23	H-72904	PPH SMS #6 X 1/2" SS	6
24	H-73883	FHP 1/4"- 20 X 1" SS	4
25	M-9452K132	.0625 X 3.50 043 O-RING	1



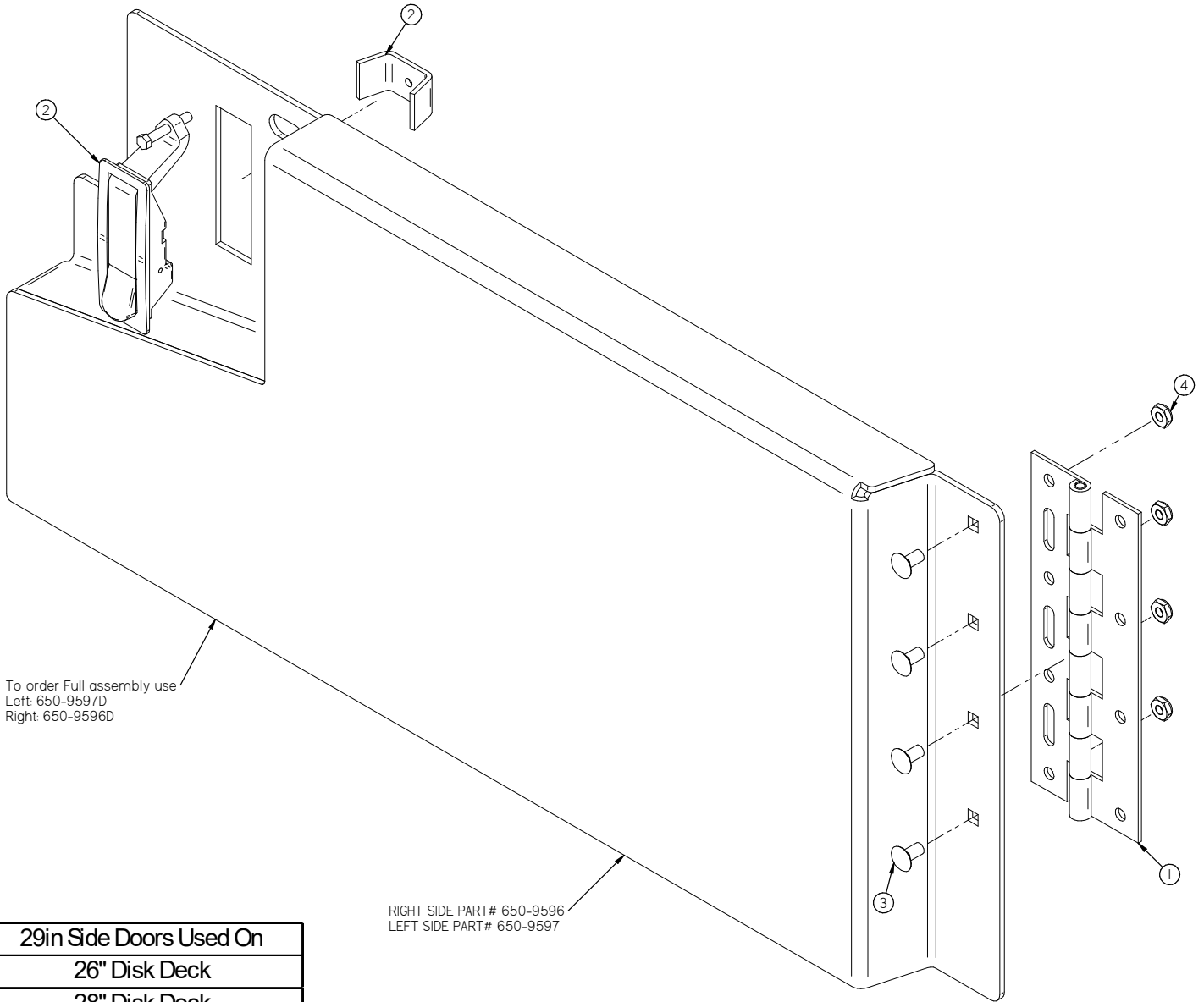


Item	Part No.	Part Description	Qty.
1	255-1611	RAISED FLOOR	1
2	600-1611	GTX ST NON SKID FLOOR PLATE	1
3	600-1612	GTX HD NON SKID FLOOR PLATE	1
4	8-290	FOOT PEDAL	1
5	H-70860	NYLOK 1/4" - 20 SS	1
6	H-72536	PPH #10-32 X 1" S/S	1
7	H-74418	CB 1/4" - 20 X 5/8" S/S	8

WHICH BATTERY CHARGER TO USE WITH BATTERY SELECTION

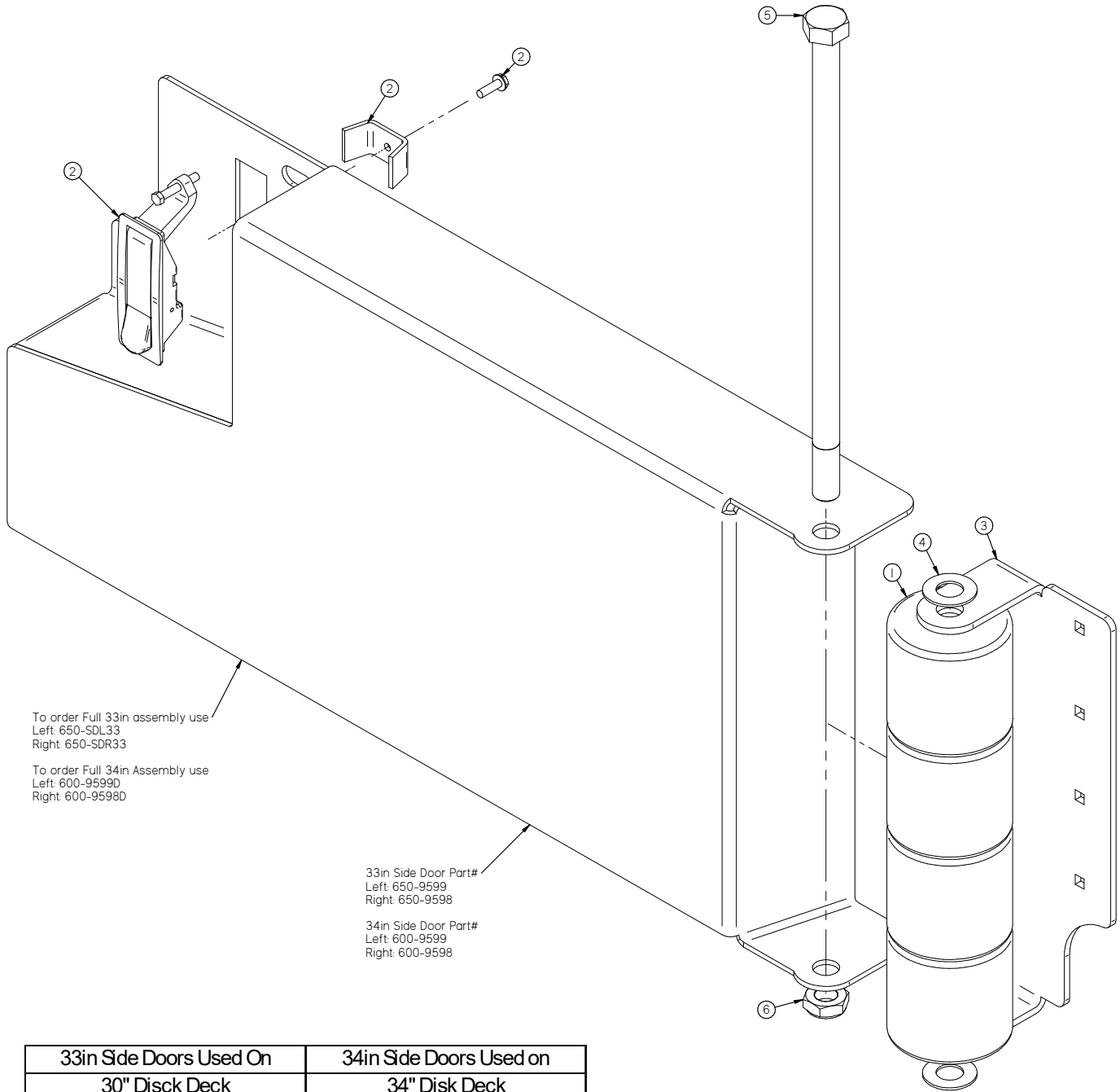
Battery Part Number & Description	Console Charger / North America	Onboard Charger / North America / International
ST ONLY 175-2110 (6V / 210AH - WET)	250-2540 (36VDC / 25A)	500-2460 (36VDC / 27A)
ST ONLY 250-2113 (6V / 240AH - WET)	250-2540 (36VDC / 25A)	500-2460 (36VDC / 27A)
HD ONLY 370-2117 (6V / 310AH - WET)	370-2540 (36VDC / 30A)	370-2460 (36VDC / 33A)
HD ONLY 253-2112 (6V / 360AH - WET)	370-2540 (36VDC / 30A)	370-2460 (36VDC / 33A)
ST ONLY 250-2120 (6V / 250AH - AGM)	N/A	500-2460 (36VDC / 33A)
HD ONLY 370-2120 (6V / 335AH - AGM)	N/A	370-2460 (36VDC / 33A)

29" Cylindrical Doors



29in Side Doors Used On
26" Disk Deck
28" Disk Deck
25" CYL Deck
24" Edge Deck

Item	Part No.	Part Description	Qty.
1	5-122	8" SS HINGE	1
2	5-130	DOOR LATCH	1
3	H-74417	CB 1/4" - 20 X .5" SS	4
4	H-NJ04C	JNYL 1/4" - 20 SS	4



To order Full 33in assembly use
Left: 650-SDL33
Right: 650-SDR33

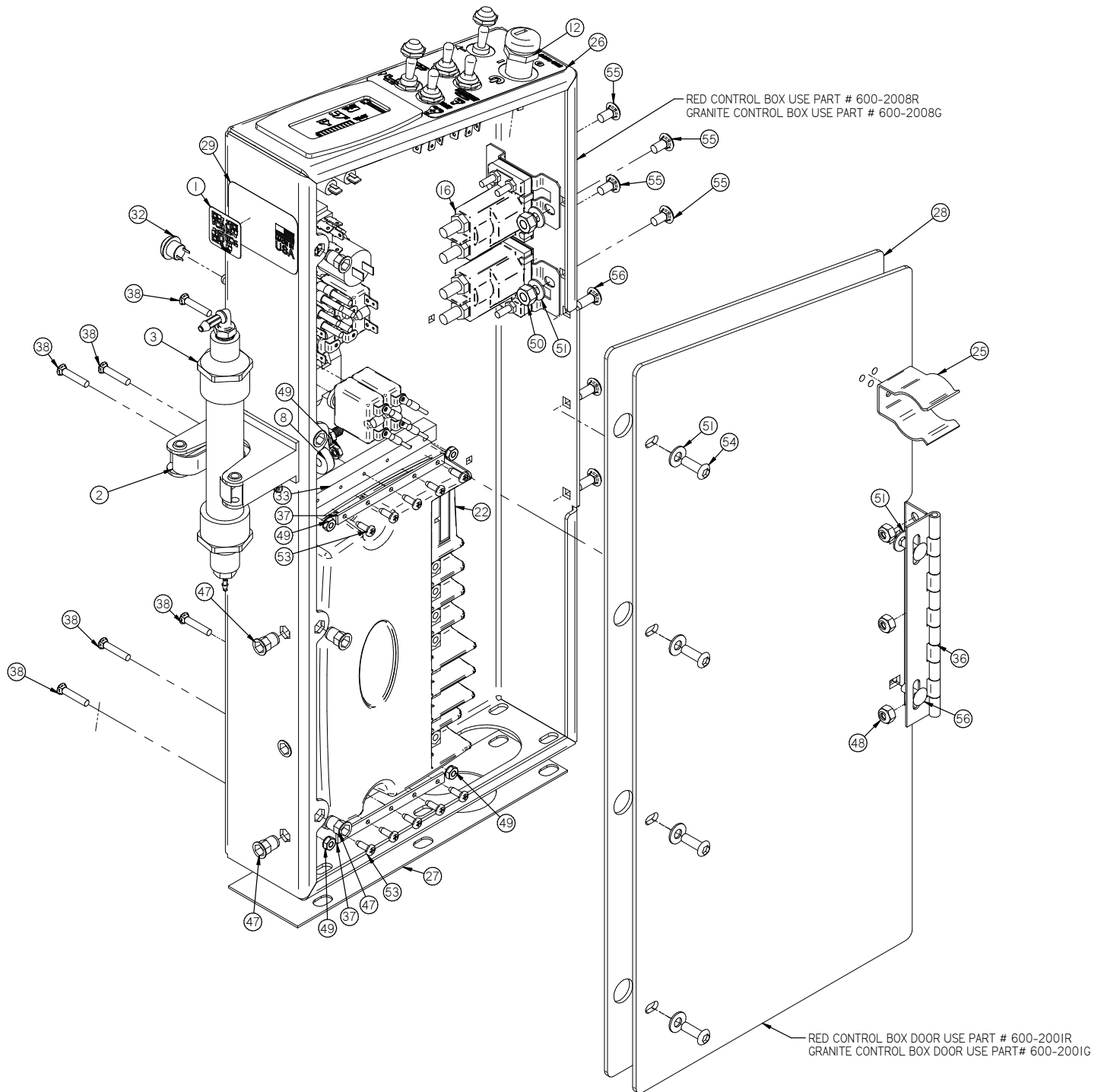
To order Full 34in Assembly use
Left: 600-9599D
Right: 600-9598D

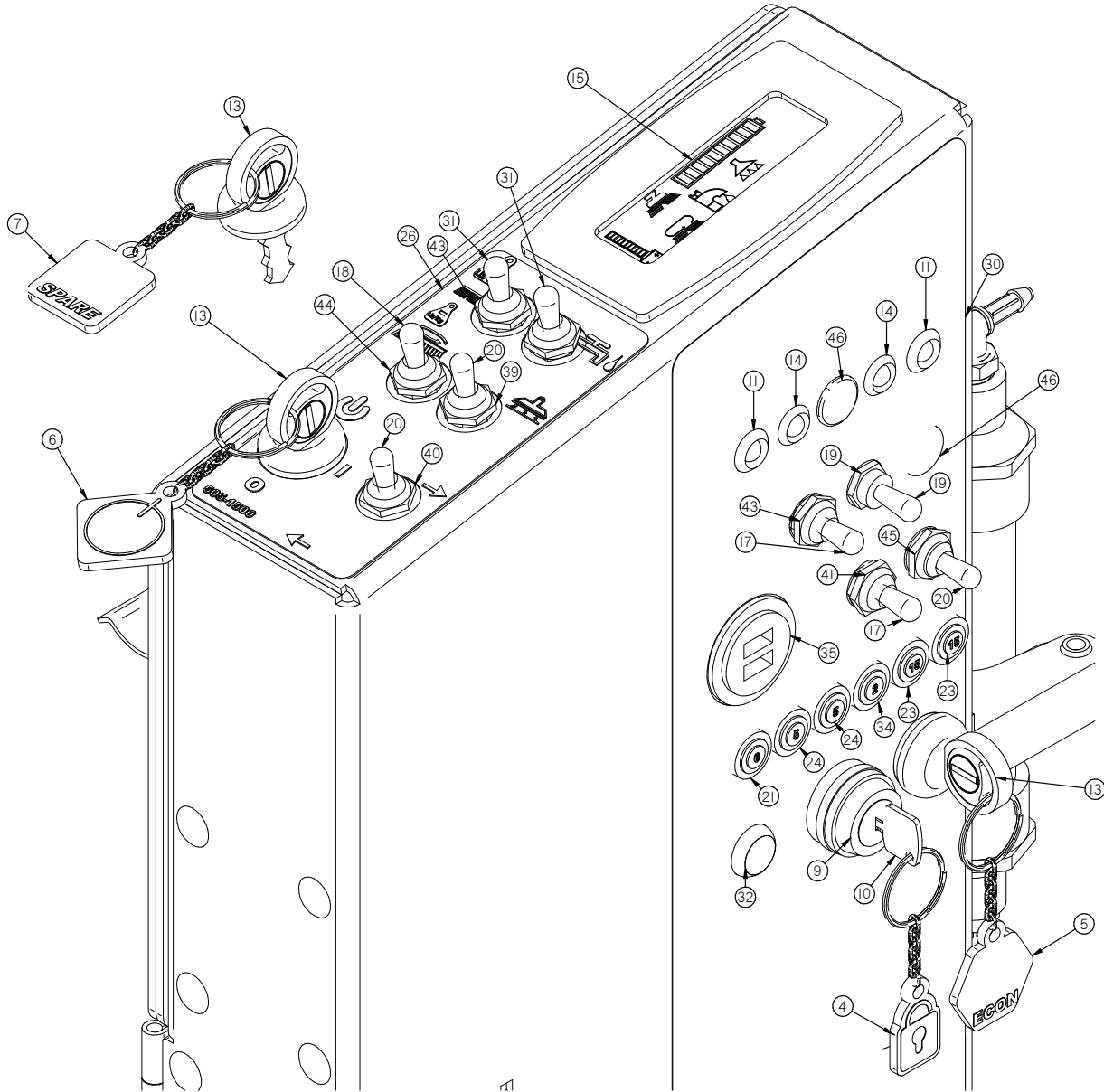
33in Side Door Part#
Left: 650-9599
Right: 650-9598

34in Side Door Part#
Left: 600-9599
Right: 600-9598

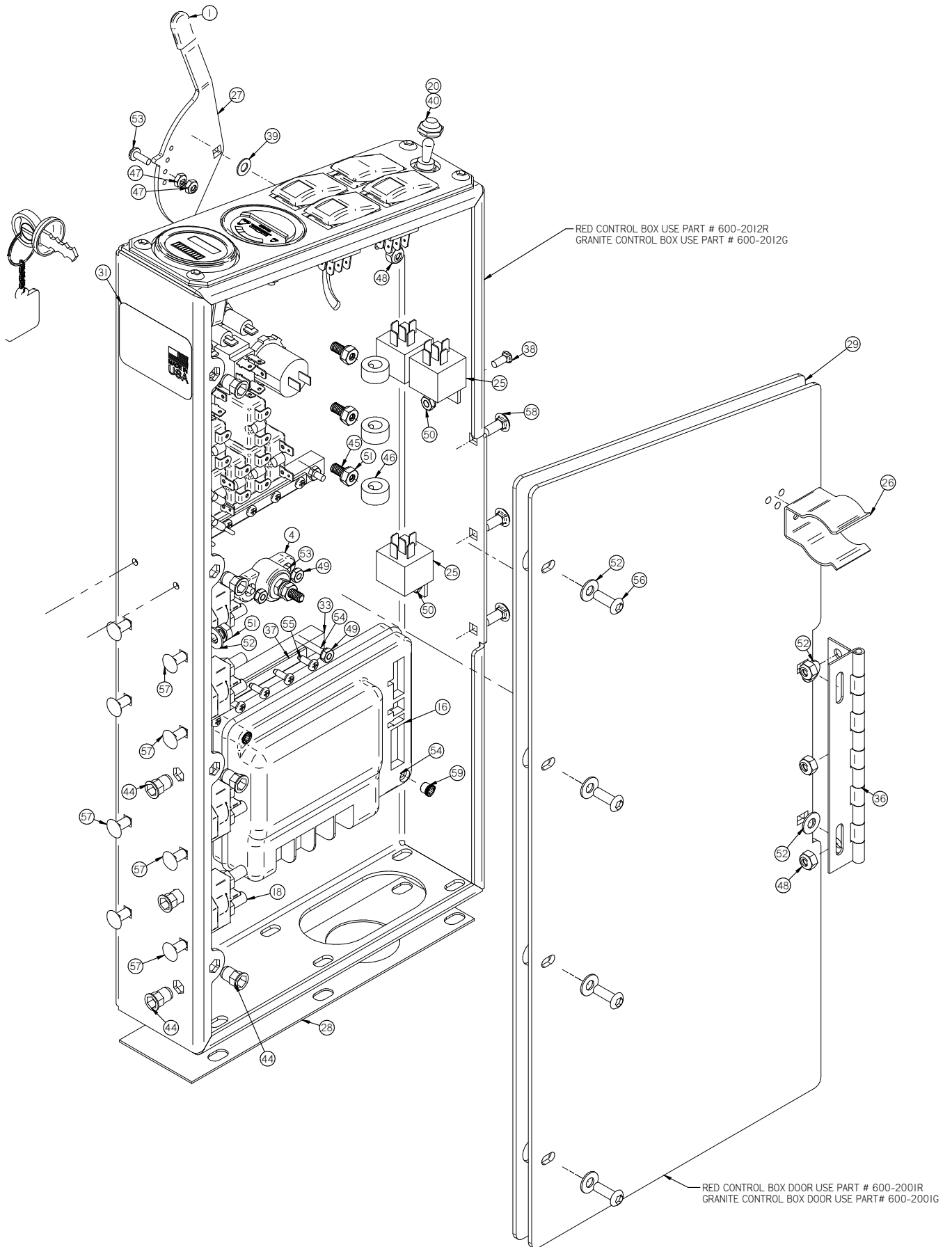
33in Side Doors Used On	34in Side Doors Used on
30" Disk Deck	34" Disk Deck
29" CYL Deck	33" CYL Deck
28" Edge Deck	32" Edge Deck

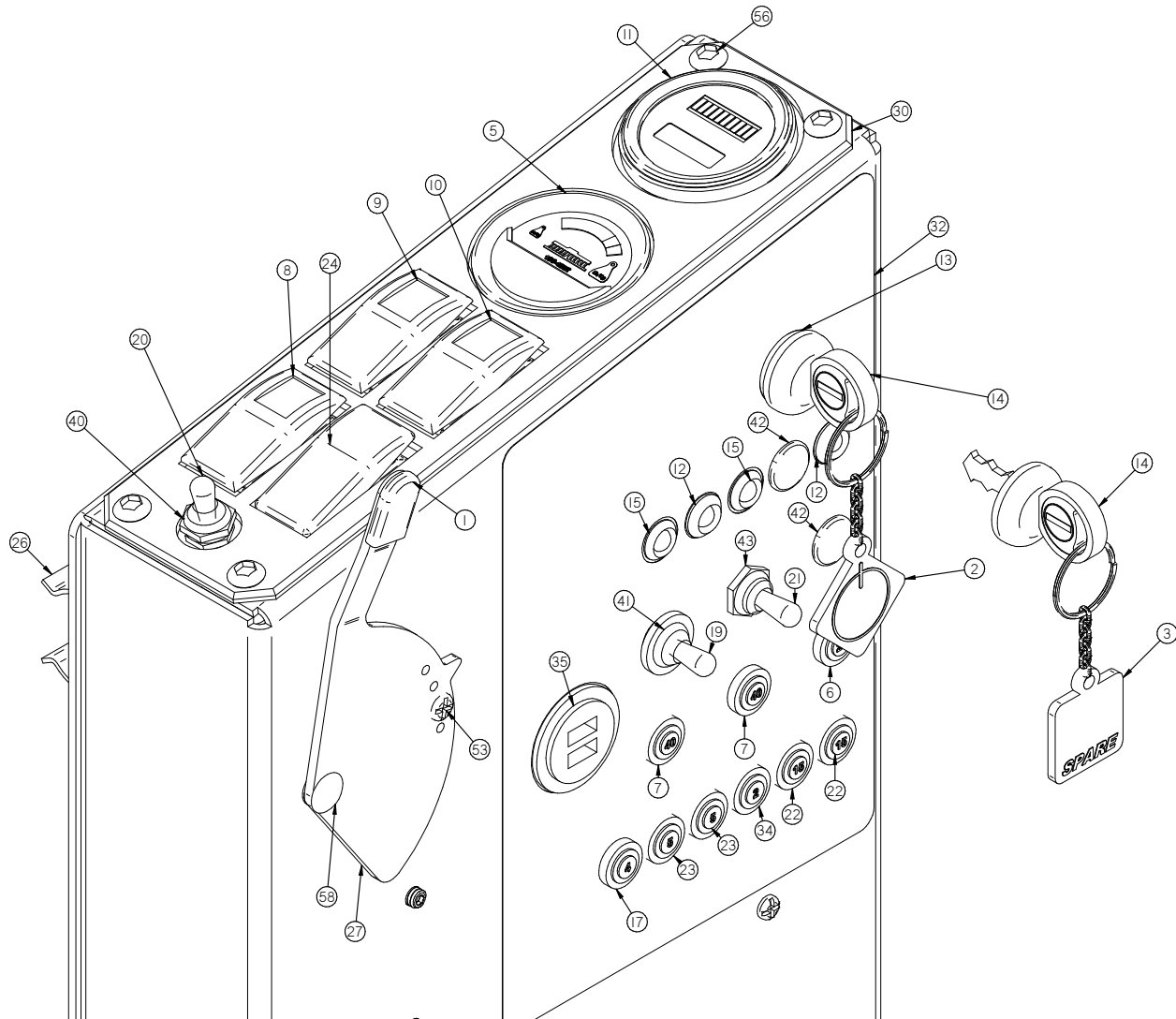
Item	Part No.	Part Description	Qty.
1	21-1127	ROLLER	1
2	5-130	DOOR LATCH	1
3	650-1126	ROLLER BRACKET HINGE (RH)	1
4	H-00279	FW 5/8" PVC	1
5	H-13337	HB 5/8"- 11 X 13"	1
6	H-37038	JNYL 5/8"- 11	1



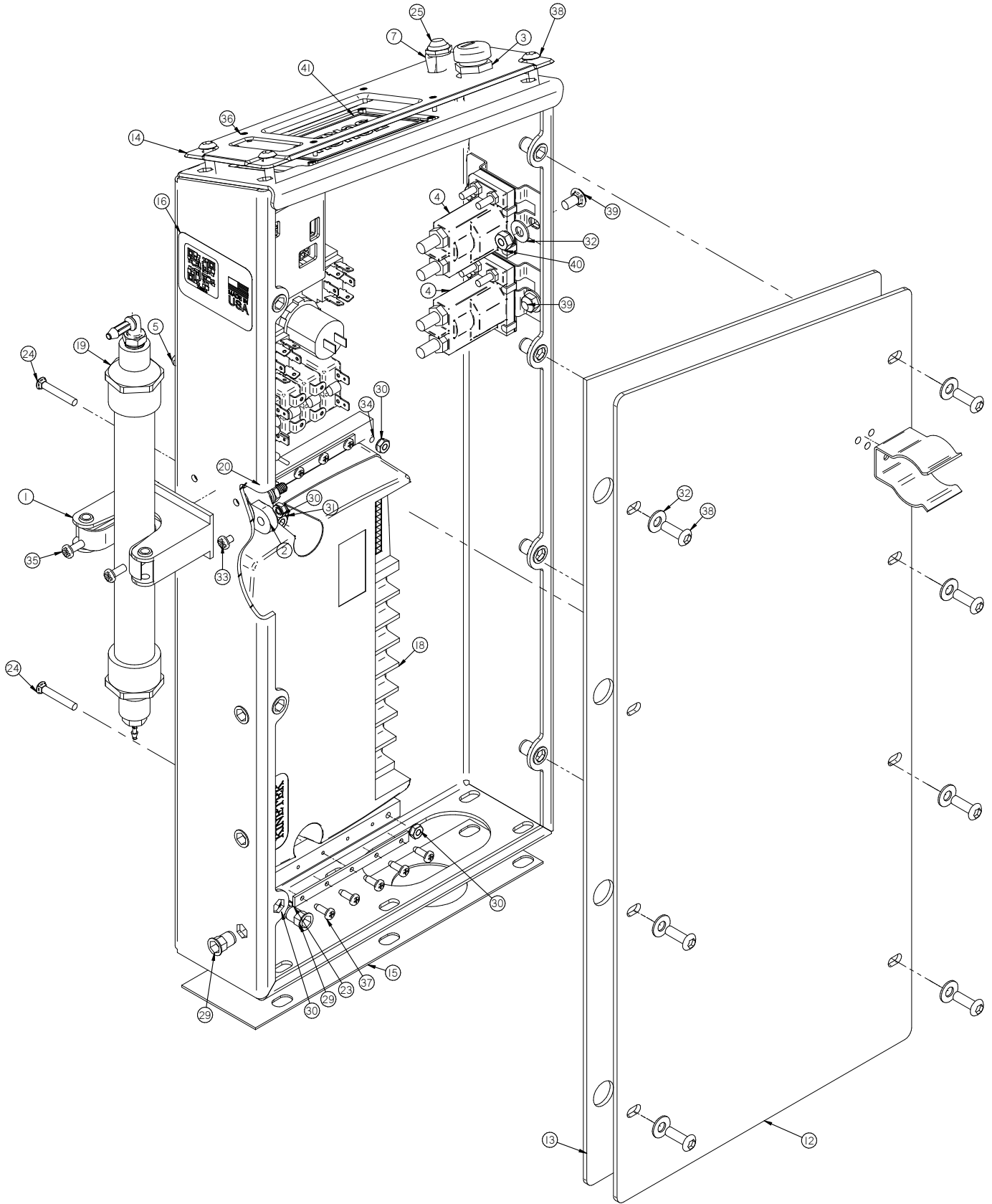


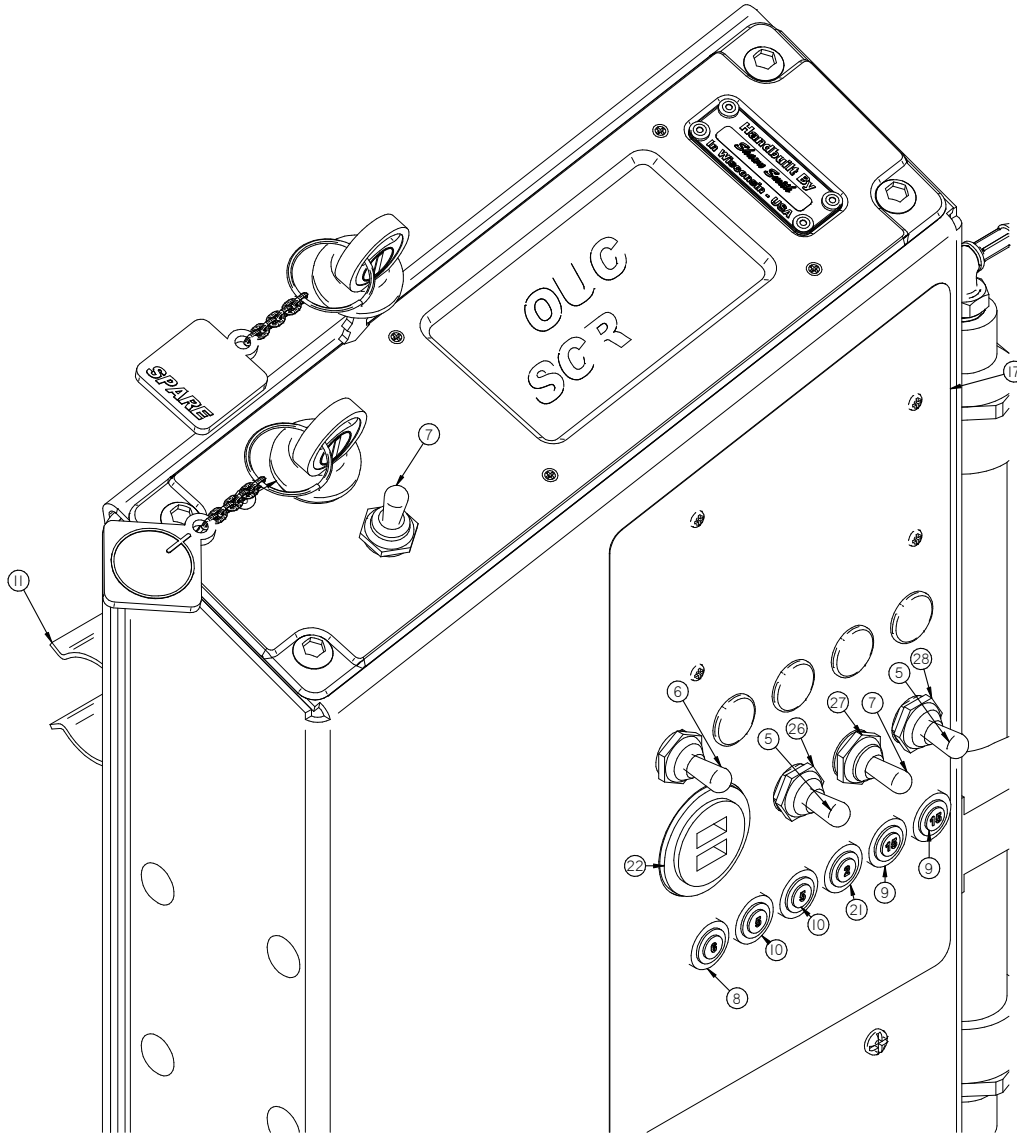
Item	Part No.	Part Description	Qty.	Item	Part No.	Part Description	Qty.
1		QR sticker	1	29	600-2025	METER STICKER	1
2	123-8861	HOSE BRACKET HOLDER	1	30	650-2019	CONTROL PANEL STICKER, FRONT	1
3	123-9134	AIR DRYER	1	31	650-2830	SWITCH, TOGGLE, MOM/OFF/MOM (DPDT)	2
4	175-2350	MANAGER LOCK OUT KEY FOB	1	32	7-229D	PUSH BUTTON SWITCH	1
5	175-2351	ECON KEY FOB	1	33	7-287	BUSS BAR UHMW	2
6	175-2352	POWER KEY FOB	1	34	7-837	FUSE RESETTABLE 2 AMP	1
7	175-2353	SPARE KEY FOB	1	35	700-2590	DUAL USB PORTS	1
8	175-2700	NEG INSULATOR POST (BLACK)	1	36	8-180	HINGE, 6-7/8" S/S	1
9	264-234	LOCKOUT KEY SWITCH	1	37	E-5HBB	5 HOLE BUSS BAR	2
10	264-234A	MANGER LOCK OUT KEY	1	38	H-0172521	CB #10-32 X 1" SS	6
11	290-2330	RED LIGHT	2	39	H-11195	PROTECTIVE BOOT, TOGGLE SWITCH, (WHITE)	1
12	290-234	KEY SWITCH (WITH KEY)	2	40	H-11196	PROTECTIVE BOOT, TOGGLE SWITCH, (RED)	1
13	290-234A	KEY SET (REPLACE)	3	41	H-11198	PROTECTIVE BOOT, TOGGLE SWITCH, (GREEN)	1
14	290-2350	YELLOW LIGHT	2	42	H-11199	PROTECTIVE BOOT, TOGGLE SWITCH, (BLUE)	1
15	290-2891	LCD SCREEN	1	43	H-11200	PROTECTIVE BOOT, TOGGLE SWITCH, (BLACK)	2
16	370-2331	RELAY, 36V, SMALL W/FLAT MTG PLATE	2	44	H-11201	PROTECTIVE BOOT, TOGGLE SWITCH, (GRAY)	1
17	370-2831	SWITCH, TOGGLE, ON/OFF/ON (DPDT)	2	45	H-11203	PROTECTIVE BOOT, TOGGLE SWITCH, (PURPLE)	1
18	370-8210	SWITCH, TOGGLE, ON/ON (DPDT)	1	46	H-11522859	M12 Black Nylon Hole Plug	2
19	370-8210	SWITCH, TOGGLE, ON/ON (DPDT)	1	47	H-250HCN	HCN 1/4"-20	7
20	370-8920	TOGGLE, ON-OFF SPST	3	48	H-70860	NYLOK 1/4"- 20 SS	5
21	370-9604	FUSE, RESETTABLE, 6 AMP, 50V DC MAX	1	49	H-70922	KN #8-32	6
22	390-2899	CONTROLLER V4	1	50	H-70926	KN 15/16-18 S/S	4
23	390-9615	FUSE, RESETTABLE, 15 AMP, 50V DC MAX	2	51	H-71013	FW 1/4 ID X 5/8 OD SS	10
24	4-960	FUSE, RESETTABLE, 5 AMP, 50V DC MAX	2	52	H-72398	PPH #8-32 X 1/2" S/S	2
25	5-886	WAND CLIP	1	53	H-72914	PPH SMS #8 X 1/2"	10
26	505-1500	CONTROL PANEL STICKER, TOP	1	54	H-73754	BHSCS 1/4 - 20 X 3/4" SS	4
27	600-2004	CENTRAL COMMAND DUST CURTAIN	1	55	H-74417	CB 1/4"- 20 X 5/8" SS	4
28	600-2005	ACCESS COVER GASKET	1	56	H-74418	CB 1/4"- 20 X 5/8" S/S	5





Item	Part No.	Part Description	Qty.	Item	Part No.	Part Description	Qty.
1	150-4480	HANDLE GRIP (BLUE)	1	36	8-180	HINGE, 6-7/8" S/S	1
2	175-2352	POWER KEY FOB	1	37	E-5HBB	5 HOLE BUSS BAR	2
3	175-2353	SPARE KEY FOB	1	38	H-0172518	CB #10-32 X 1/2" SS	4
4	175-2700	NEG INSULATOR POST (BLACK)	1	39	H-11107630	FW 1/4" ID X 1/2" OD NYLON	1
5	190-4852	BRUSH PRESSURE GAUGE, 40 AMP	1	40	H-11196	PROTECTIVE BOOT, TOGGLE SWITCH (RED)	1
6	190-8370	FUSE RESETTABLE 25 AMP	1	41	H-11300	PROTECTIVE BOOT, TOGGLE SWITCH (BLACK)	1
7	190-9609	FUSE, RESETTABLE, 40 AMP	2	42	H-11522859	M12 Black Nylon Hole Plug	2
8	260-2350A	SWITCH, ROCKER, DPDT, ON/ON AMBER	1	43	H-21197	PROTECTIVE BOOT, TOGGLE SWITCH (YELLOW)	1
9	260-2351A	SWITCH, ROCKER, DPDT, ON/ON GREEN	1	44	H-250HCN	HCN 1/4"-20	11
10	260-2352A	SWITCH, ROCKER, DPDT, ON/ON BLUE	1	45	H-25385		3
11	260-4855	36v Hour Meter	1	46	H-33372	SHAFT COLLAR, 3/8" ID	3
12	290-2330	RED LIGHT	2	47	H-70856	NYLOK #8-32 SS	2
13	290-234	KEY SWITCH (WITH KEY)	1	48	H-70860	NYLOK 1/4" - 20 SS	6
14	290-234A	KEY SET (REPLACE)	2	49	H-70922	KN #8-32	6
15	290-2350	YELLOW LIGHT	2	50	H-70923	KN #10-32 SS	3
16	349-2900	IDRIVE 24V 180 AMP CONTROLLER	1	51	H-70925	KN 1/4-20 S/S	11
17	349-9604	FUSE, RESETTABLE, 4 AMP, 50V DC MAX	1	52	H-71013	FW 1/4 ID X 5/8 OD SS	14
18	370-2331	RELAY, 36V, SMALL W/FLAT MTG PLATE	4	53	H-72398	PPH #8-32 X 1/2" S/S	3
19	370-2831	SWITCH, TOGGLE, ON/OFF/ON (DPDT)	1	54	H-72418	PPH #8-32 X 1" S/S	6
20	370-8210	SWITCH, TOGGLE, ON/ON (DPDT)	1	55	H-72914	PPH SMS #8 X 1/2"	10
21	370-8210	SWITCH, TOGGLE, ON/ON (DPDT)	1	56	H-73754	BHSCS 1/4 - 20 X 3/4" SS	8
22	390-9615	FUSE, RESETTABLE, 15 AMP, 50V DC MAX	2	57	H-74417	CB 1/4"- 20 X 5/8" S/S	8
23	4-960	4-284	2	58	H-74418	CB 1/4"- 20 X 5/8" S/S	6
24	5-233	MOM-OFF-MOM DPDT	1	59	M-92066A009	SCKT HEAD NUT #8-32par	2
25	5-293	24V 15 AMP RELAY	4				
26	5-886	WAND CLIP	1				
27	500-2003	VALVE LEVER	1				
28	600-2004	CENTRAL COMMAND DUST CURTAIN	1				
29	600-2005	ACCESS COVER GASKET	1				
30	600-2022	CENTRAL COMMAND TOP	1				
31	600-2025	METER STICKER	1				
32	600-2025	CONTROL PANEL STICKER, FRONT	1				
33	7-287	BUSS BAR UHMW	2				
34	7-837	FUSE, RESETTABLE 2 AMP	1				
35	700-2590	DUAL USB PORTS	1				

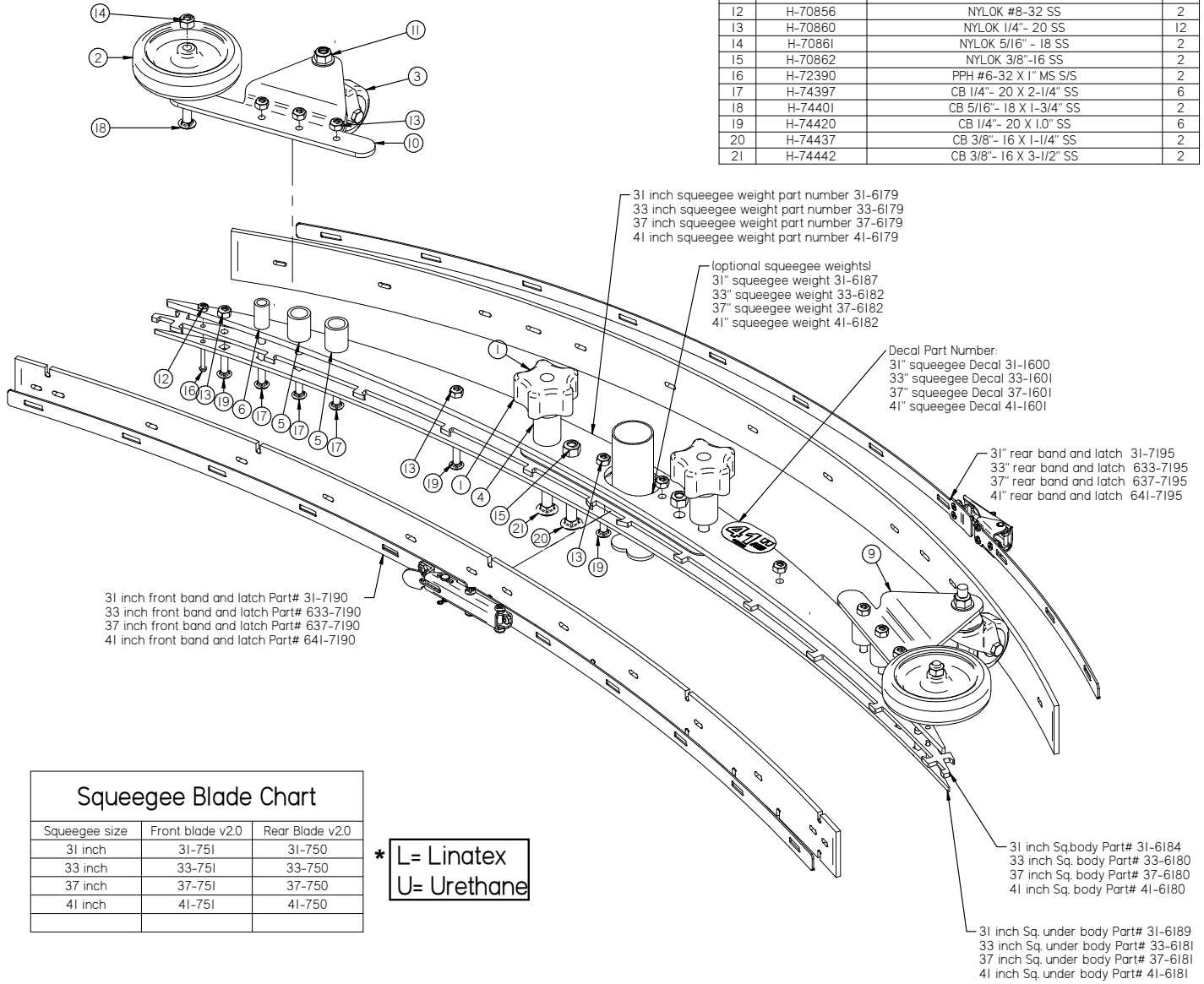




Item	Part No.	Part Description	Qty.	Item	Part No.	Part Description	Qty.
1	I23-8861	HOSE BRACKET HOLDER	1	29	H-250HCN	HCN 1/4"-20	14
2	I75-2700	NEG INSULATOR POST (BLACK)	1	30	H-70922	KN #8-32	6
3	290-234	KEY SWITCH (WITH KEY)	1	31	H-70923	KN #10-32 SS	2
4	370-2331	RELAY, 36V, SMALL W/FLAT MTG PLATE	2	32	H-71013	FW 1/4 ID X 5/8 OD SS	8
5	370-8210	SWITCH, TOGGLE, ON/ON (DPDT)	2	33	H-72398	PPH #8-32 X 1/2" S/S	2
6	370-8210	SWITCH, TOGGLE, ON/ON (DPDT)	1	34	H-72418	PPH #8-32 X 1" S/S	4
7	370-8920	TOGGLE, ON-OFF SPST	2	35	H-72515	PPH #10-32 X 1/2" S/S	2
8	370-9604	FUSE, RESETTABLE, 6 AMP, 50V DC MAX	1	36	H-72636	FHP #4-40 X .375 SS	4
9	390-9615	FUSE, RESETTABLE, 15 AMP, 50V DC MAX	2	37	H-72914	PPH SMS #8 X 1/2"	10
10	4-960	FUSE, RESETTABLE, 5 AMP, 50V DC MAX	2	38	H-73754	BHSCS 1/4 - 20 X 3/4" SS	8
11	5-886	WAND CLIP	1	39	H-74417	CB 1/4"- 20 X 5" SS	4
12	500-2001	ACCESS COVER	1				
13	500-2002	ACCESS COVER GASKET	1				
14	500-2023	TOUCH SCREEN CC TOP	1				
15	600-2004	CENTRAL COMMAND DUST CURTAIN	1				
16	600-2025	METER STICKER	1				
17	600-6026	CONTROL PANEL STICKER, FRONT	1				
18	650-2890	KINETECK TOUCH SCREEN CONTROLLER	1				
19	650-9134	AIR DRYER	1				
20	7-287	BUSS BAR UHMW	2				
21	7-837	FUSE RESETTABLE 2 AMP	1				
22	700-2590	DUAL USB PORTS	1				
23	E-5HBB	5 HOLE BUSS BAR	2				
24	H-0172522	CB #10-32 X 1-1/4" SS	2				
25	H-11196	PROTECTIVE BOOT, TOGGLE SWITCH, (RED)	1				
26	H-11198	PROTECTIVE BOOT, TOGGLE SWITCH, (GREEN)	1				
27	H-11203	PROTECTIVE BOOT, TOGGLE SWITCH, (PURPLE)	1				
28	H-21197	PROTECTIVE BOOT, TOGGLE SWITCH, (YELLOW)	1				

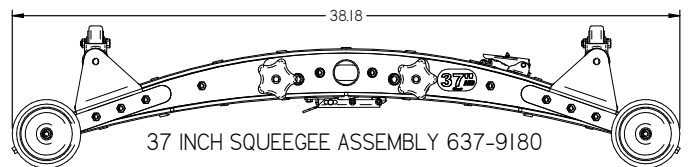
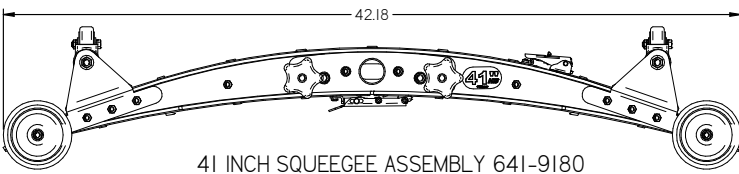
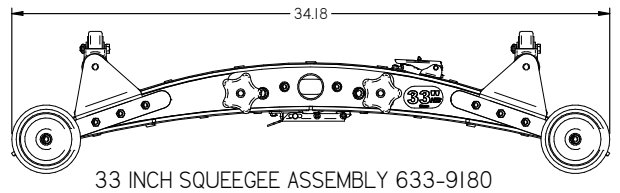
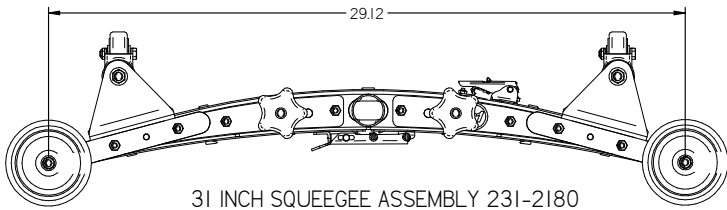
Squeegee Assembly

Item	Part No.	Part Description	Qty.
1	150-5786	STAR KNOB, 3/8-16 THREAD	2
2	150-7600	4" SIDE WHEEL (GREY)	2
3	253-7570	CASTER	2
4	36-8460	STANDOFF, 1.25"	2
5	37-0007	SQUEEGEE ROLLER SPACER	4
6	37-0008	SQUEEGEE ROLLER SPACER	2
7	41-1310	SQUEEGEE CURTAIN (HD)	1
8	41-1600	41 inch sticker	1
9	45-7183	SQUEEGEE CASTER BRACKET (LH)	1
10	45-7184	SQUEEGEE CASTER BRACKET (RH)	1
11	H-0129152A	FLANGED NUT 3/8-16	2
12	H-70856	NYLOK #8-32 SS	2
13	H-70860	NYLOK 1/4"- 20 SS	12
14	H-70861	NYLOK 5/16"- 18 SS	2
15	H-70862	NYLOK 3/8"-16 SS	2
16	H-72390	PPH #6-32 X 1" MS S/S	2
17	H-74397	CB 1/4"- 20 X 2-1/4" SS	6
18	H-74401	CB 5/16"- 18 X 1-3/4" SS	2
19	H-74420	CB 1/4"- 20 X 1.0" SS	6
20	H-74437	CB 3/8"- 16 X 1-1/4" SS	2
21	H-74442	CB 3/8"- 16 X 3-1/2" SS	2



Squeegee size	Front blade v2.0	Rear Blade v2.0
31 inch	31-751	31-750
33 inch	33-751	33-750
37 inch	37-751	37-750
41 inch	41-751	41-750

* L= Linatex
 U= Urethane



ROUND DISK BRUSHES:

NOTICE

The ## in Disk Column Denotes Desk Pad Size: 13", 15" or 17"

BRUSHES	DISK	LEVEL
Super Grit	##-382SS	Very High
Tough Grit	##-382S	High
Midi Grit	##-382C	Medium
Light Grit	##-382PS	Moderate
Poly	##-382P	Light
Nylon	##-382N	Light
Tampico	##-382T	Light
Pad Driver	##-382D	
Diamond Driver	##-382DD	

ROUND DISK PADS:

NOTICE

The ## in Disk Column Denotes Desk Pad Size: 13", 15" or 17"

DISK PADS	DISK	LEVEL	COLOR
Super Black	##-422BB	Very High	Black
Black	##-422B	High	Black
Brown	##-422BR	High	Brown
Green	##-422G	Medium	Green
Blue	##-422BL	Moderate	Blue
Red	##-422R	Moderate	Red
White	##-422W	Light	White

CYLINDRICAL BRUSHES:

BRUSHES	MODEL 25" CYLINDRICAL	MODEL 29" CYLINDRICAL	MODEL 33" CYLINDRICAL	LEVEL
Tough Grit	236-697S	276-697S	316-697S	High
Midi Grit	236-697C	276-697C	316-697C	Medium
Light Grit	236-697PS	276-697PS	316-697PS	Moderate
Nylon	236-697N	276-697N	316-697N	Light
Tampico	236-697T	276-697T	316-697T	Light

ORBITAL PADS AND SCREENS:

DESCRIPTION	28"×14" SCRUBDECK	32"×14" SCRUBDECK
White Pad	EDGE-4054	EDGE-5005
Red Pad	EDGE-4053	EDGE-5004
Blue Pad	EDGE-4052	EDGE-5009
Green Pad	EDGE-4051	EDGE-5002
Black Pad	EDGE-4050	EDGE-5001
White Driver Pad	EDGE-4058	NA
400 Grit Diamond Polishing Pad	EDGE-4013	EDGE-4013
800 Grit Diamond Polishing Pad	EDGE-4014	EDGE-5041
1500 Grit Diamond Polishing Pad	EDGE-4015	EDGE-5042
3000 Grit Diamond Polishing Pad	EDGE-4016	EDGE-5043
6000 Grit Diamond Polishing Pad	EDGE-4070	EDGE-5040
Tile/Grout Renovator Pad	EDGE-4048	EDGE-5018
Dominator HD Strip Pad	EDGE-4055	EDGE-5006
Maroon ECO Prep Pad	EDGE-4056	EDGE-5007

SQUEEGEE BLADE KITS & COMPLETE SQUEEGEE ASSEMBLIES:

Common Wear Parts

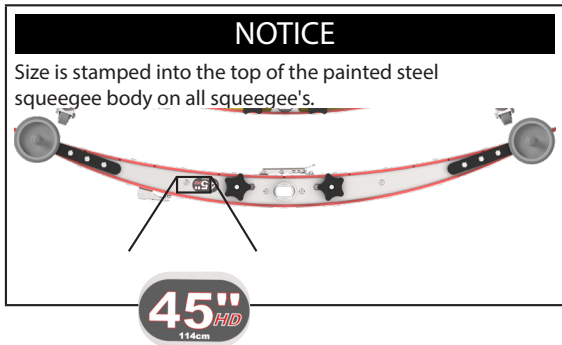
SQUEEGEE SIZE	26" DISK	30" DISK	25" CYL	29" CYL	33" CYL	24" Orbital	28" Orbital
31" Squeegee	Optional	Optional	Optional	Optional	Optional	Optional	Optional
33" Squeegee	Standard	Optional	Standard	Optional	Optional	Standard	Optional
37" Squeegee	Optional	Standard	Optional	Standard	Optional	Optional	Standard
41" Squeegee	Optional	Optional	Optional	Optional	Standard	Optional	Optional
45" Squeegee	Optional	Optional	Optional	Optional	Optional	Optional	Optional

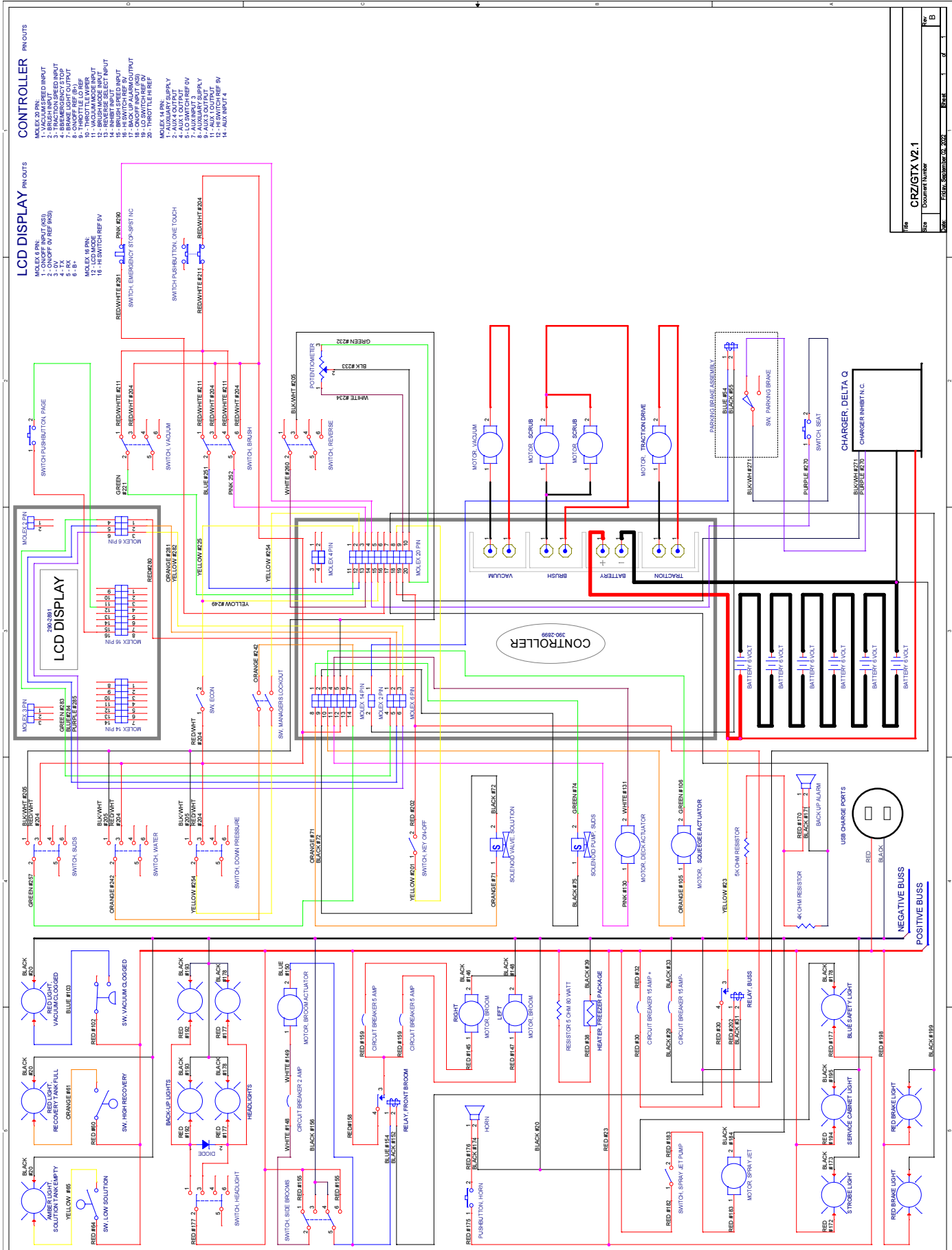
SQUEEGEE SIZE	LINATEX BLADE KIT	URETHANE BLADE KIT	COMPLETE SQUEEGEE ASSEMBLIES
31" Squeegee	231-770L	231-770U	231-2180
33" Squeegee	633-770L	633-770U	633-9180
37" Squeegee	637-770L	637-770U	637-9180
41" Squeegee	641-770L	641-770U	641-9180
45" Squeegee	645-770L	645-770U	645-9180

SQUEEGEE MATERIAL:	USED FOR:
LINATEX	Provides best wear and tear resistance. Not designed for use with harsh chemicals.
URETHANE	Provides best resistance when dealing with harsh chemicals, oils, fuels, etc.

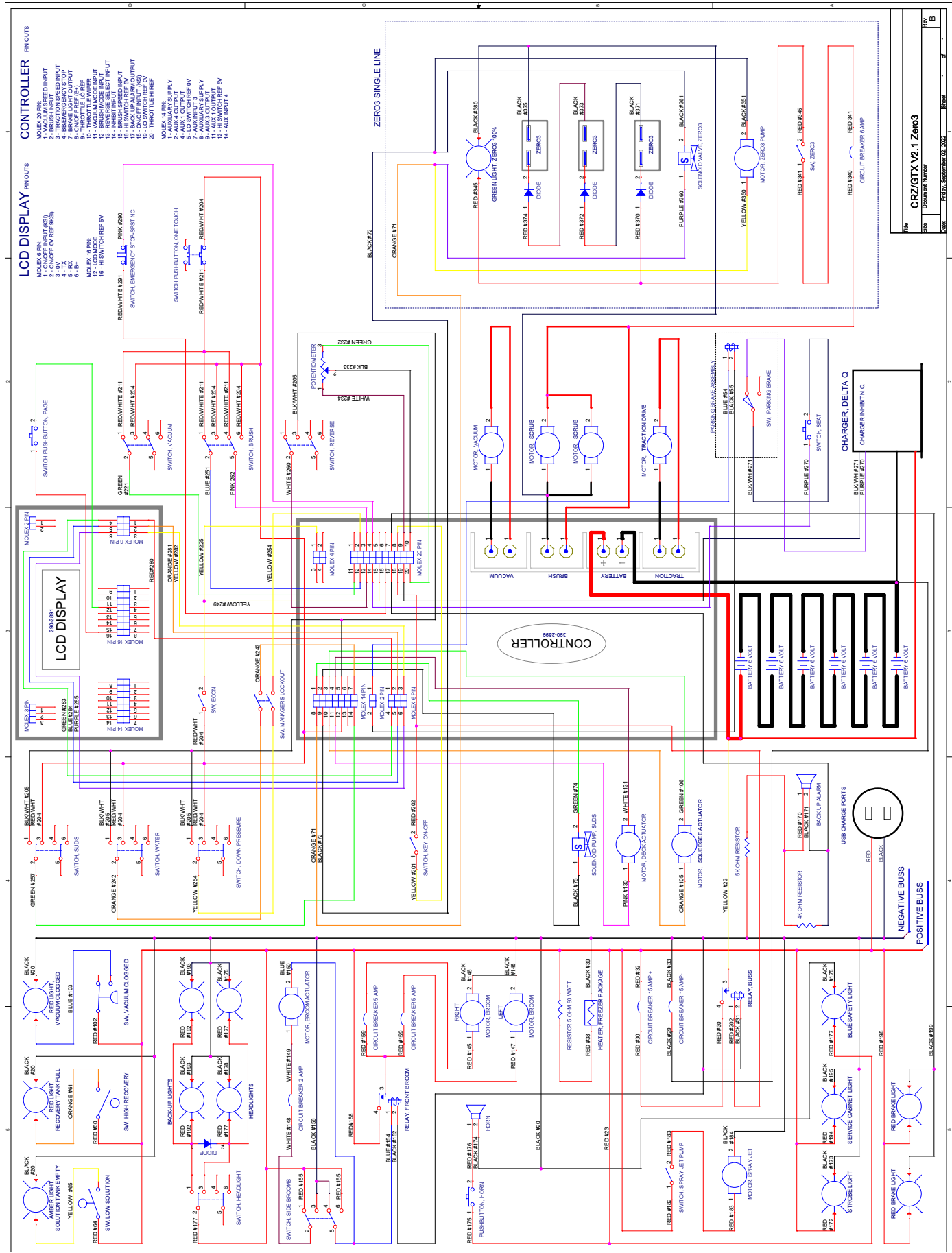
NOTICE
 Squeegee blade kits include (1) Rear Blade & (1) Front Blade.

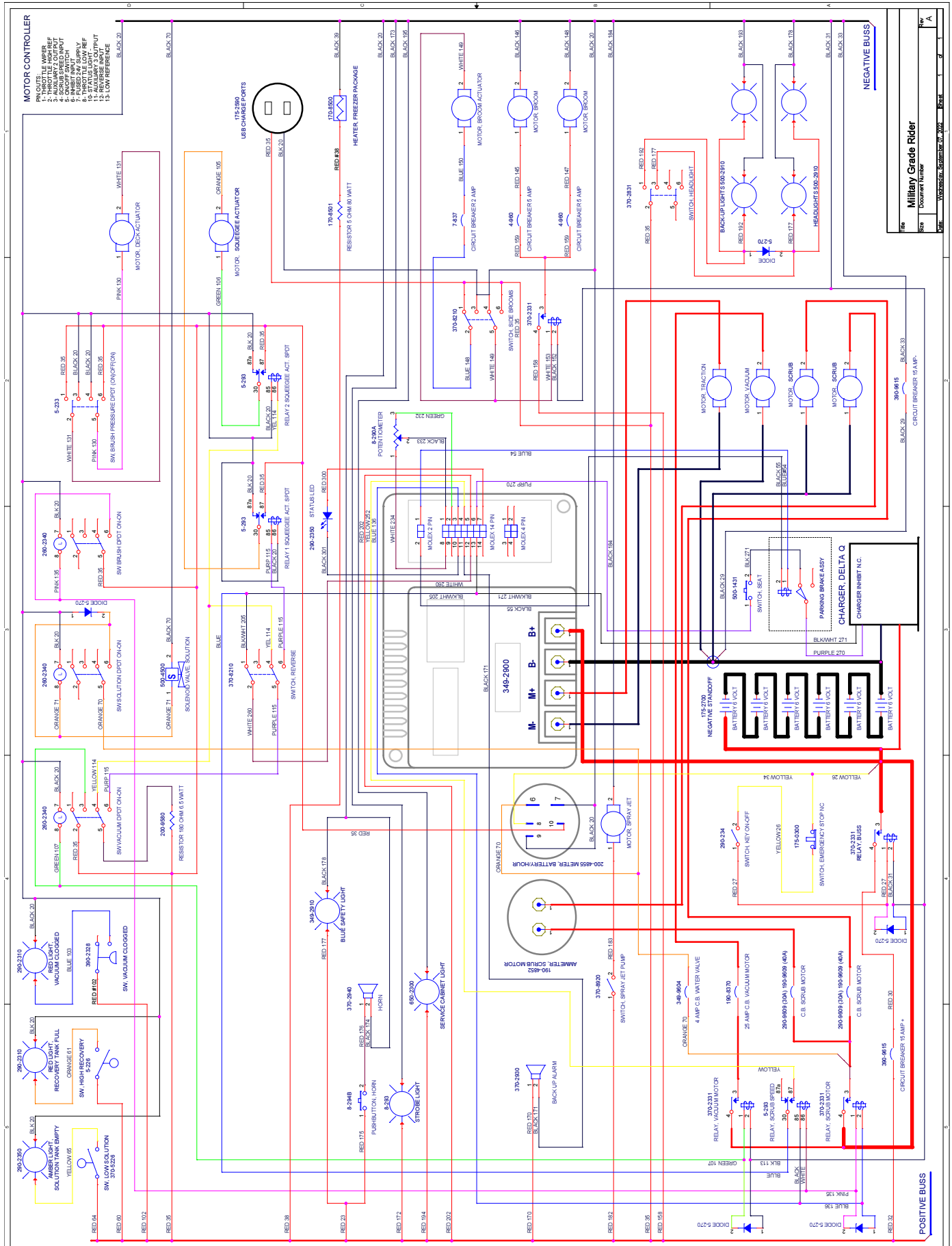
NOTICE
 Squeegee Assemblies (complete) listed above all come with Linatex blades.





REV	1	2	3	4	5	6	7	8	9	10
DATE										
CRZ/GTX V2.1 Document Number										





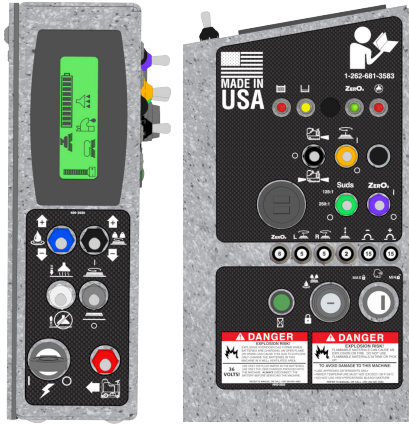
Central Command Decals

Military Grade




Part #:600-2025

Legacy



Part #:600-2020

Touch Screen



Part #:600-6026

Models / Options / Squeegee Size Decals



★ Handmade In USA - Since 1986 ★

Part #:600-1504



Part #:370-7201



Part #:175-1521



Part #:600-2020



Chemical Free Cleaning Technology
EPA #: 090789-WI-01

Part #:123-1837



Onboard Chemical Dispensing

Part #:123-1838



Part #:123-1843



84cm

Part #:33-1601



94cm

Part #:37-1601



104cm

Part #:41-1601



114cm

Part #:45-1601

BLANK
THIS PAGE WAS INTENTIONALLY LEFT BLANK

FACTORYCAT[®]

1711 South Street
Racine, WI 53404
www.factorycat.com
262-681-4060