

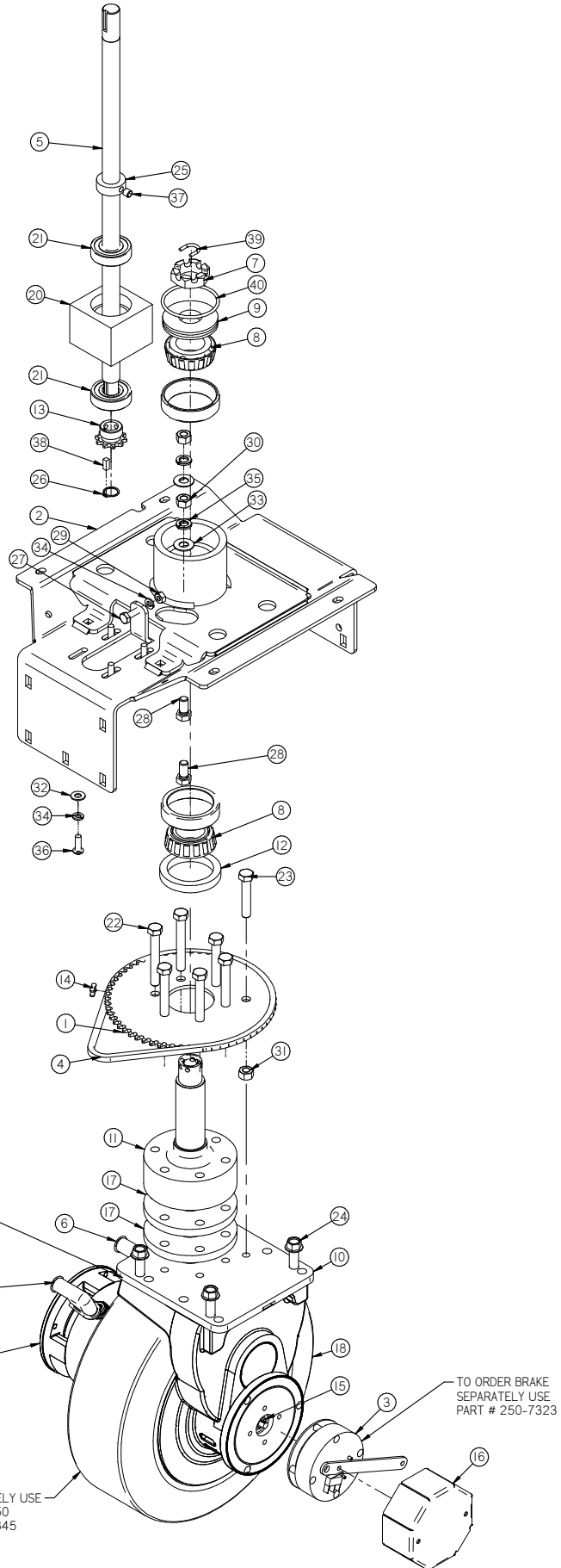
Read Operation Instructions
before using the machine.

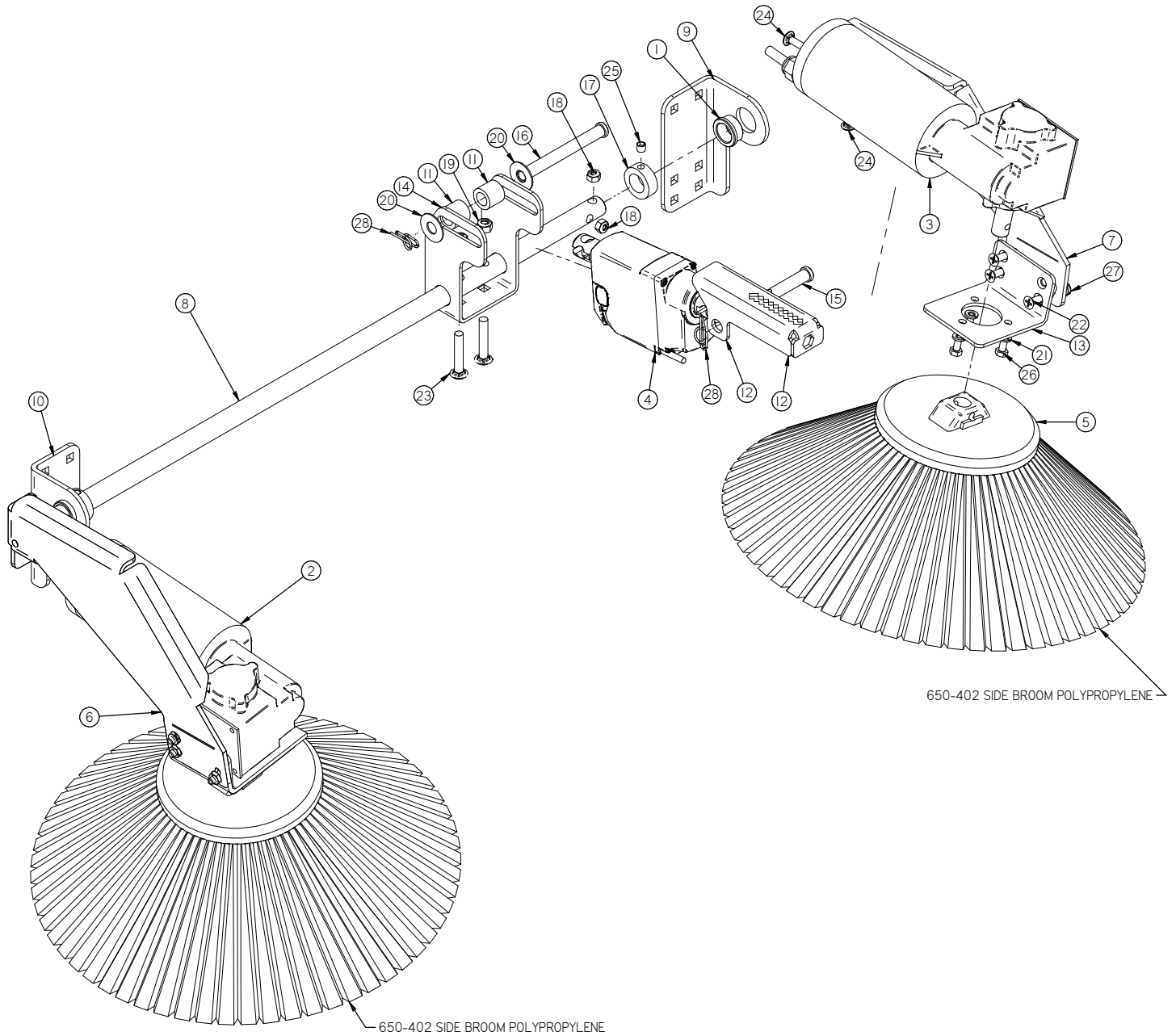


Read the Safety Messages
before using the machine.

| | |
|--|----|
| Front Wheel Drive..... | 4 |
| Side Brooms | 5 |
| Front Wheel, Side Brooms, and Side Rollers | 6 |
| Attaching Decks..... | 8 |
| Disk Shrouds | 9 |
| Disk Decks..... | 10 |
| Cylindrical Decks | 12 |
| Cylindrical Wipers..... | 14 |
| Cylindrical Doors | 15 |
| Squeegee Trail Arm - Standard | 16 |
| Squeegee Trail Arm - Optional | 17 |
| Attaching Squeegee Trail Arm, Bumper, & Axle | 18 |
| Squeegee Assembly..... | 19 |
| Solution System..... | 20 |
| ZERO3 System | 21 |
| Suds System | 22 |
| Solution & Recovery Tank | 23 |
| Utility Rack..... | 24 |
| Tank Baffle..... | 25 |
| Vacuum Motor Assembly | 26 |
| Attaching Tanks & Batteries..... | 27 |
| Legacy Central Command..... | 28 |
| Military Central Command | 30 |
| Touch Central Command..... | 32 |
| Steering Column..... | 34 |
| Attaching Steering Column & Central Command | 35 |
| 30" Disk & 29" Cylindrical Doors | 36 |
| 34" Disk & 33" Cylindrical Doors | 37 |
| 36" Disk Doors..... | 38 |
| 37" Cylindrical Doors | 39 |
| Common Wear Parts | 41 |
| Schematics - Military | 42 |
| Schematics - Touch Screen..... | 43 |
| Schematics - Legacy | 44 |
| Decals..... | 45 |

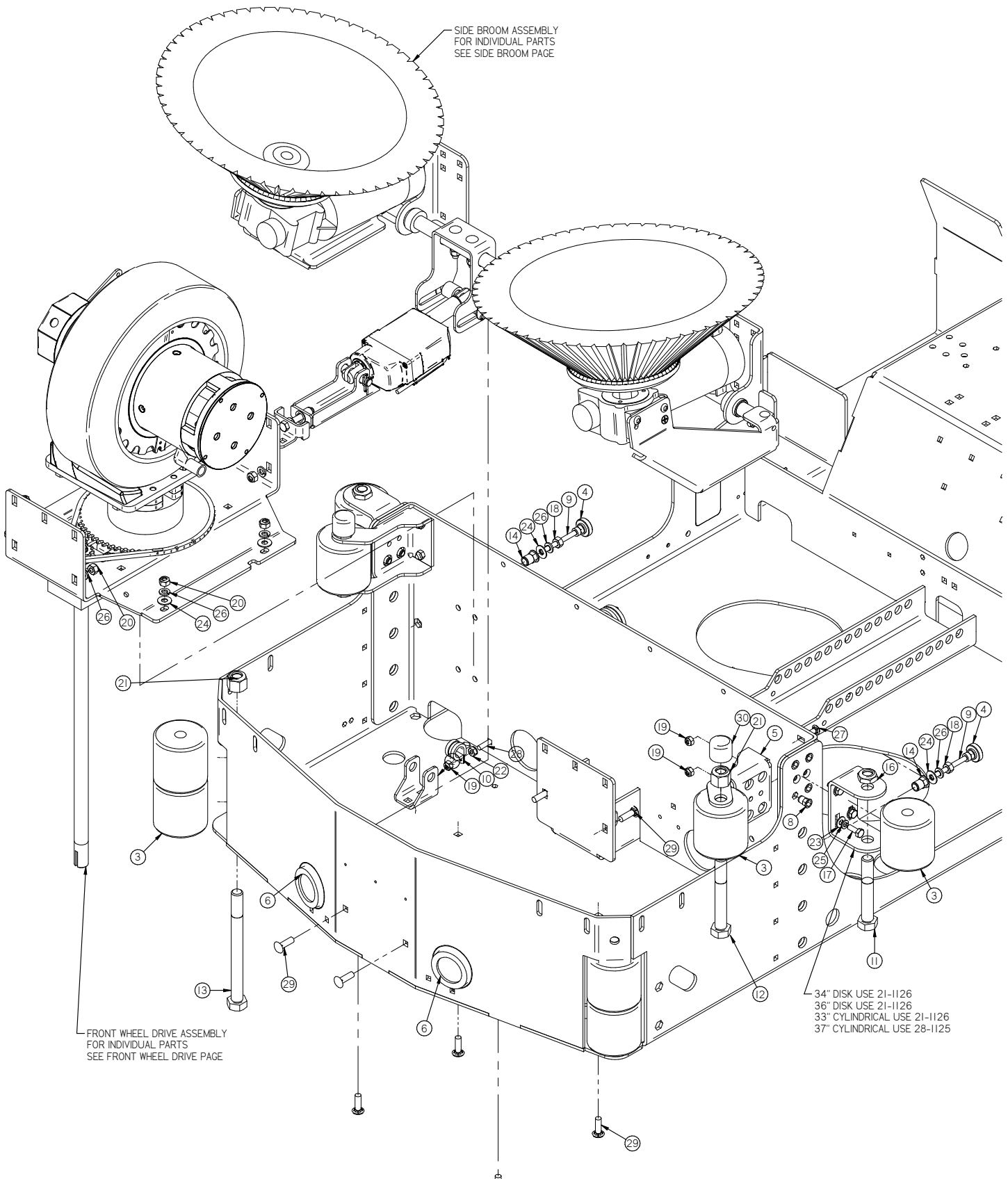
| Item | Part No. | Part Description | Qty. |
|------|------------|-------------------------------------|------|
| 1 | 250-7314 | 60 TOOTH STEERING SPROCKET | 1 |
| 2 | 250-7320A | 12" DROP PLATE | 1 |
| 3 | 250-7323 | PARKING BRAKE | 1 |
| 4 | 250-7327 | STEERING CHAIN | 1 |
| 5 | 275-7120 | STEERING SHAFT, LOWER | 1 |
| 6 | 290-2780 | TERMINAL BOOT, BLACK | 1 |
| 7 | 37-7321 | SLOTTED NUT, 2.0 - I2 | 1 |
| 8 | 370-7317 | TAPERED ROLLER BEARING | 2 |
| 9 | 370-7321 | PRE LOAD SLEEVE | 1 |
| 10 | 370-7326 | PIVOT PLATE | 1 |
| 11 | 370-7332 | 1.25" DIA. STEERING SPINDLE | 1 |
| 12 | 370-8374 | BEARING SEAL | 1 |
| 13 | 5-826 | 10 TOOTH SPROCKET 5/8 SHAFT | 1 |
| 14 | 5-831 | MASTER LINK | 1 |
| 15 | 600-7310K | KEY | 1 |
| 16 | 600-7324 | BRAKE COVER | 1 |
| 17 | 650-7328 | PIVOT SPACER PLATE | 2 |
| 18 | 700-7340 | 12 INCH 36V DRIVE | 1 |
| 19 | 8-278 | TERMINAL BOOT, RED | 1 |
| 20 | 8-723 | BEARING BLOCK | 1 |
| 21 | 8-723B | 1-3/4 X 3/4" ROLLER BEARING | 2 |
| 22 | ??? | HCS 3/8" - 24 X 2.75" SS | 6 |
| 23 | H-0172949 | HCS 3/8" - 24 X 2" SS FULL THREADED | 1 |
| 24 | H-11115680 | FB CASHD M10-1.5 X 30mm | 4 |
| 25 | H-33376 | SHAFT COLLAR, 3/4" ID X 9/16 LG | 1 |
| 26 | H-68013 | SNAPRING | 1 |
| 27 | H-70003 | HCS 1/4"-20 X 3/4" SS | 1 |
| 28 | H-70103 | HCS 3/8"-16 X 3/4" SS | 2 |
| 29 | H-70710 | HN 1/4" - 20 SS | 1 |
| 30 | H-70712 | HN 3/8"-16 SS | 2 |
| 31 | H-70732 | HN 3/8" - 24 SS | 1 |
| 32 | H-71013 | FW 1/4 ID X 5/8 OD SS | 4 |
| 33 | H-71017 | FW 3/8 ID X 7/8 OD SS | 2 |
| 34 | H-71063 | LW 1/4" SS | 5 |
| 35 | H-71067 | LW 3/8" SS | 2 |
| 36 | H-73754 | BHSCS 1/4 - 20 X 3/4" SS | 4 |
| 37 | H-81983 | 5/16" X 1/4" KURL SET SCREW | 1 |
| 38 | H-K1432 | 3/16" X 1/2" KEY | 1 |
| 39 | M-9381T24 | S-HOOK | 1 |
| 40 | M-9452K66 | .125 X 2.25 X 2.5 O-RING,par | 1 |





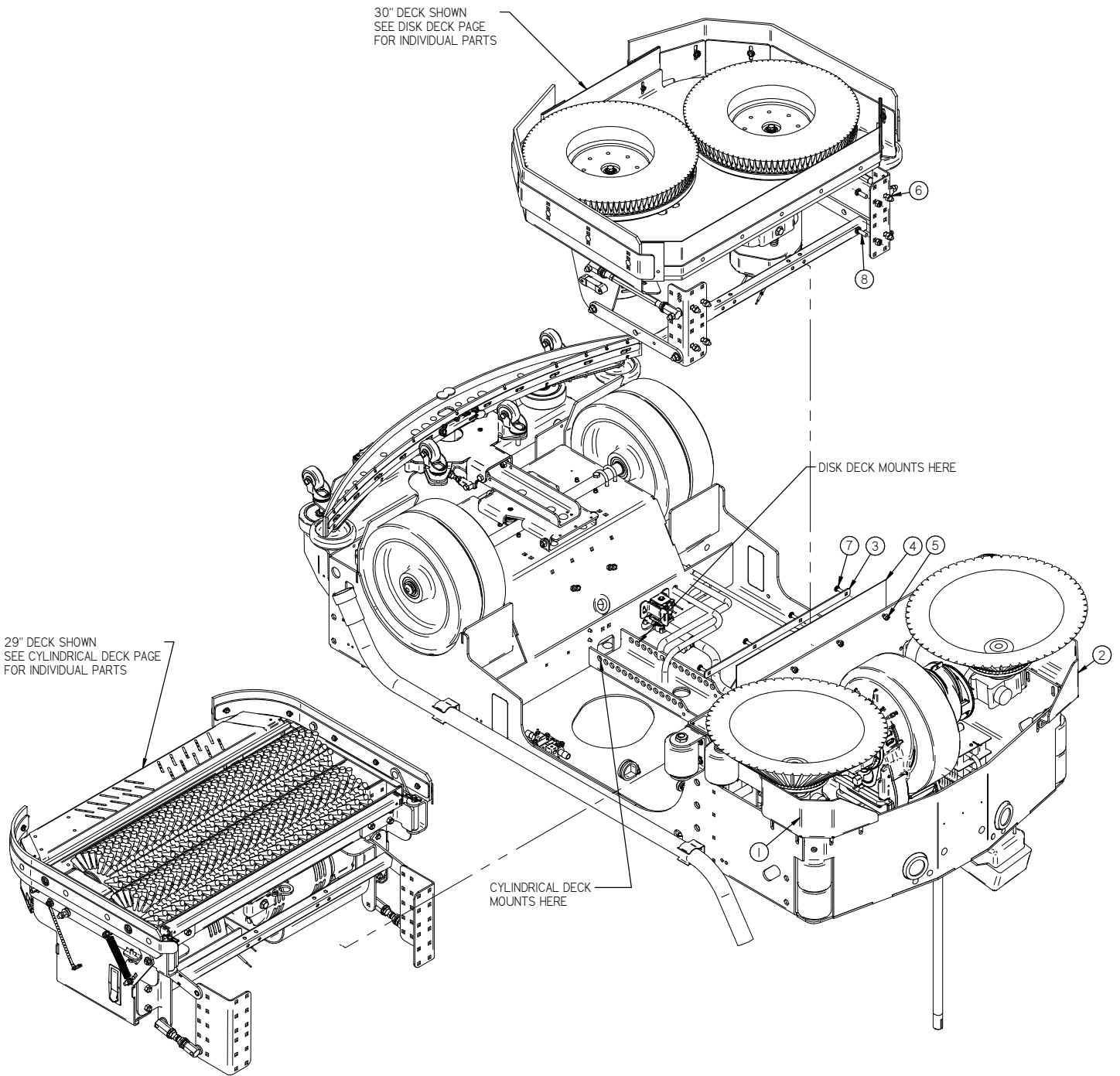
| Item | Part No. | Part Description | Qty. |
|------|-----------|--|------|
| 1 | 4-4230 | 3/4" X 1" X 1/2" FLG BEARING | 2 |
| 2 | 650-0222 | (RHI) SIDE BROOM MOTOR, 36V 106 RPM (44:1) | 1 |
| 3 | 650-0223 | (LHI) SIDE BROOM MOTOR, 36V 106 RPM (44:1) | 1 |
| 4 | 650-2240 | 2.0" STROKE ACTUATOR (36V 900Nm) | 1 |
| 5 | 650-402 | 15.5 SIDE BROOM POLYPROPYLENE | 2 |
| 6 | 650-4420 | (RHI) SIDE BROOM LIFT ARM | 1 |
| 7 | 650-4421 | (LHI) SIDE BROOM LIFT ARM | 1 |
| 8 | 650-4621 | SIDE BROOM AXLE SHAFT | 1 |
| 9 | 650-4630 | SIDE BROOM AXLE BRACKET (LHI) | 1 |
| 10 | 650-4631 | SIDE BROOM AXLE BRACKET (RHI) | 1 |
| 11 | 700-0010 | SIDE BROOM ACTUATOR SPACER | 2 |
| 12 | 700-1005 | BRACKET, SIDEBROOM, LIFTING | 1 |
| 13 | 700-4419 | SIDE BROOM BRACKET | 2 |
| 14 | 700-4422 | SIDE BROOM PIVOT | 1 |
| 15 | H-0156763 | .4375 X 2.0 CLEVIS | 1 |
| 16 | H-0156951 | 7/16" X 4.0" CLEVIS PIN | 1 |
| 17 | H-33376 | SHAFT COLLAR, 3/4" ID X 9/16 LG | 2 |
| 18 | H-70860 | NYLOK 1/4"- 20 SS | 2 |
| 19 | H-70861 | NYLOK 5/16" - 18 SS | 2 |
| 20 | H-71019 | FW 7/16 ID X 1-1/8 OD SS | 2 |
| 21 | H-71063 | LW 1/4" SS | 3 |
| 22 | H-72706 | FHP 1/4"- 20 X 5/8" SS | 6 |

Front Wheel, Side Brooms, and Side Rollers



Front Wheel, Side Brooms, and Side Rollers

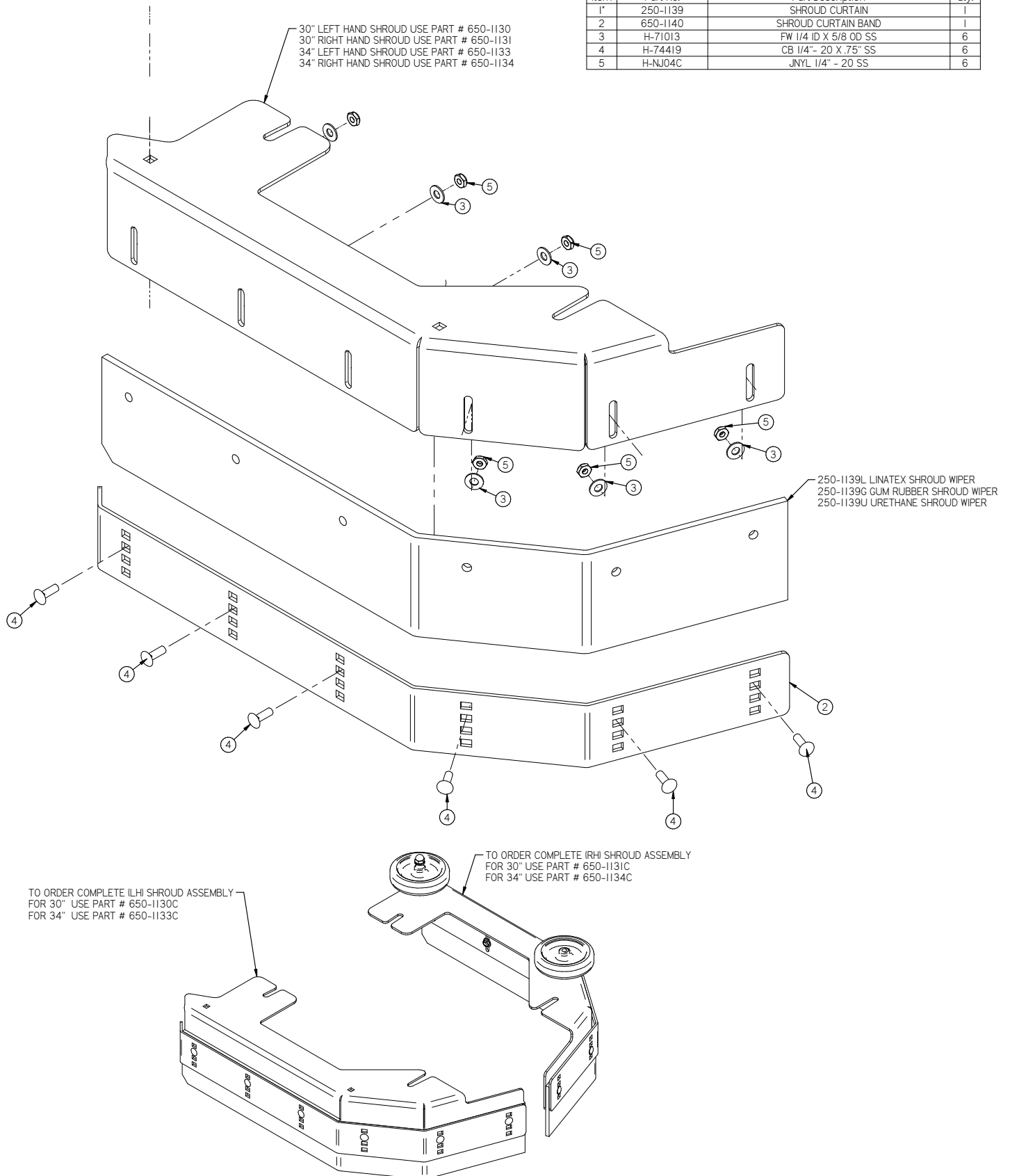
| Item | Part No. | Part Description | Qty. |
|------|-----------|-------------------------|------|
| 1* | | | 1 |
| 2 | 150-1006 | LIFTING BRACKET | 1 |
| 3 | 21-1127 | ROLLER | 8 |
| 4 | 4-457 | ADJUSTMENT KNOB | 2 |
| 5 | 500-1028 | LOWER ROLLER BRACKET | 2 |
| 6 | 500-2910 | HEAD LIGHT | 2 |
| 7* | 700-4422 | SIDE BROOM PIVOT | 1 |
| 8 | H-00918 | HCN 1/4"-20 LG | 8 |
| 9 | H-01205 | SHCS 5/16-18 X 2-1/2 SS | 2 |
| 10 | H-0127294 | 3/4" LOOP CLAMP | 1 |
| 11 | H-11319 | HB 5/8"- 11 X 4" | 2 |
| 12 | H-11321 | HB 5/8"- 11 X 4 1/2" | 2 |
| 13 | H-13327 | HB 5/8"- 11 X 7" | 2 |
| 14 | H-312HCN | HCN 5/16"-18 | 2 |
| 15* | H-3225T | 1-1/2" LOOP CLAMP | 1 |
| 16 | H-37038 | JNYL 5/8"- 11 | 2 |
| 17 | H-70003 | HCS 1/4"-20 X 3/4" SS | 5 |
| 18 | H-70711 | HN 5/16"- 18 SS | 2 |
| 19 | H-70860 | NYLOK 1/4"- 20 SS | 6 |
| 20 | H-70861 | NYLOK 5/16" - 18 SS | 5 |
| 21 | H-70866 | NYL 5/8"- 11 | 4 |
| 22 | H-70925 | KN 1/4-20 S/S | 1 |
| 23 | H-71013 | FW 1/4 ID X 5/8 OD SS | 5 |
| 24 | H-71015 | FW 5/16 ID X 3/4 OD SS | 4 |
| 25 | H-71063 | LW 1/4" SS | 5 |
| 26 | H-71065 | LW 5/16" SS | 6 |
| 27 | H-74419 | CB 1/4"- 20 X .75" SS | 5 |
| 28 | H-74420 | CB 1/4"- 20 X 1.0" SS | 2 |
| 29 | H-74430 | CB 5/16"- 18 X 1" SS | 10 |
| 30 | M-9267K47 | 15/16" HEX CAP | 2 |

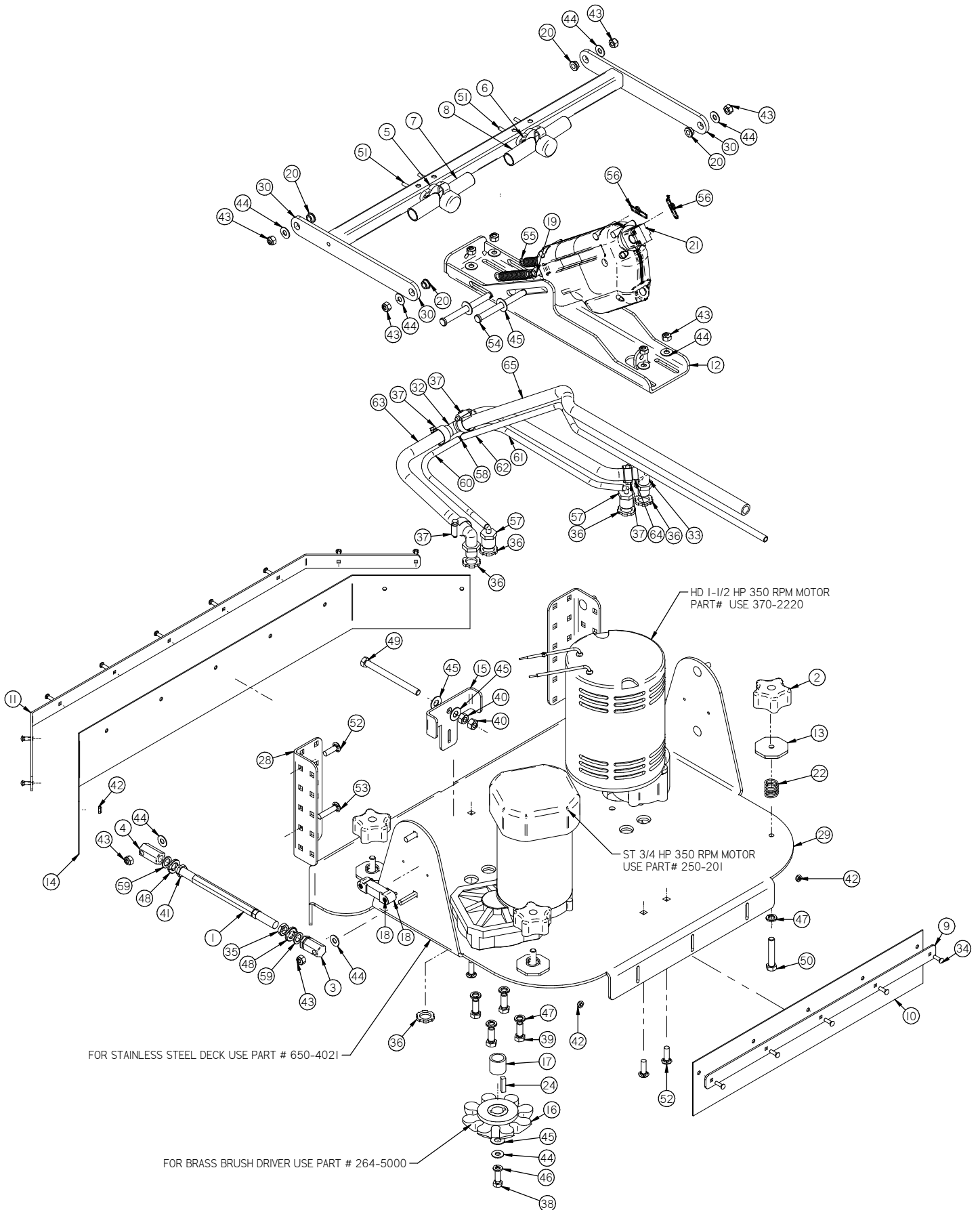


| Item | Part No. | Part Description | Qty. |
|------|----------|-----------------------|------|
| 1 | 250-1117 | FRONT GUARD - LH | 1 |
| 2 | 250-1118 | FRONT GUARD - RH | 1 |
| 3 | 250-1320 | CURTAIN BAND | 1 |
| 4 | 650-1311 | CYLINDRICAL CURTAIN | 1 |
| 5 | H-70860 | NYLOK 1/4" - 20 SS | 4 |
| 6 | H-70861 | NYLOK 5/16" - 18 SS | 8 |
| 7 | H-74419 | CB 1/4" - 20 X 75" SS | 4 |
| 8 | H-74430 | CB 5/16" - 18 X 1" SS | 8 |

Disk Shrouds

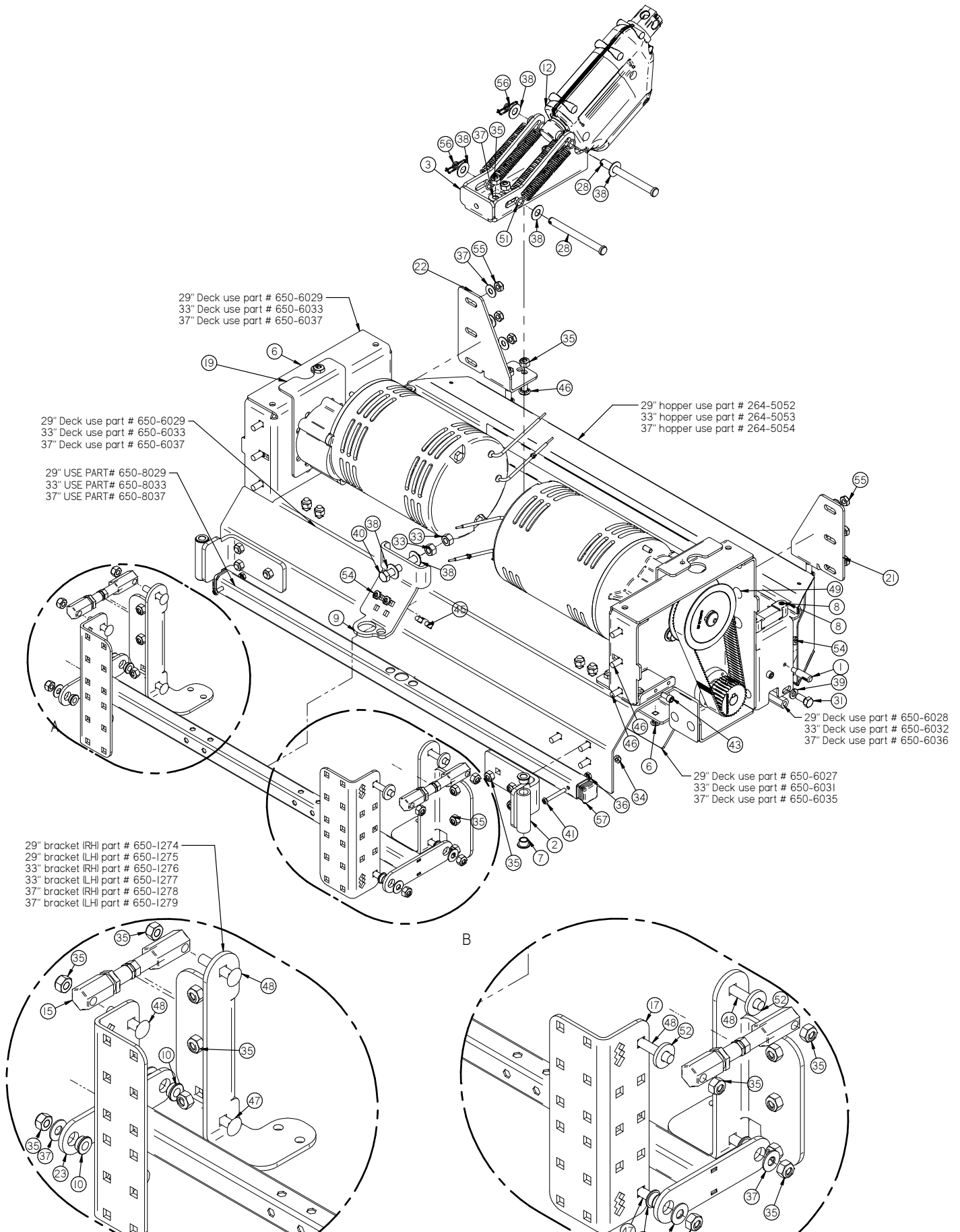
| Item | Part No. | Part Description | Qty. |
|------|----------|------------------------|------|
| 1* | 250-1139 | SHROUD CURTAIN | 1 |
| 2 | 650-1140 | SHROUD CURTAIN BAND | 1 |
| 3 | H-71013 | FW 1/4 ID X 5/8 OD SS | 6 |
| 4 | H-74419 | CB 1/4" - 20 X .75" SS | 6 |
| 5 | H-NJ04C | JNYL 1/4" - 20 SS | 6 |



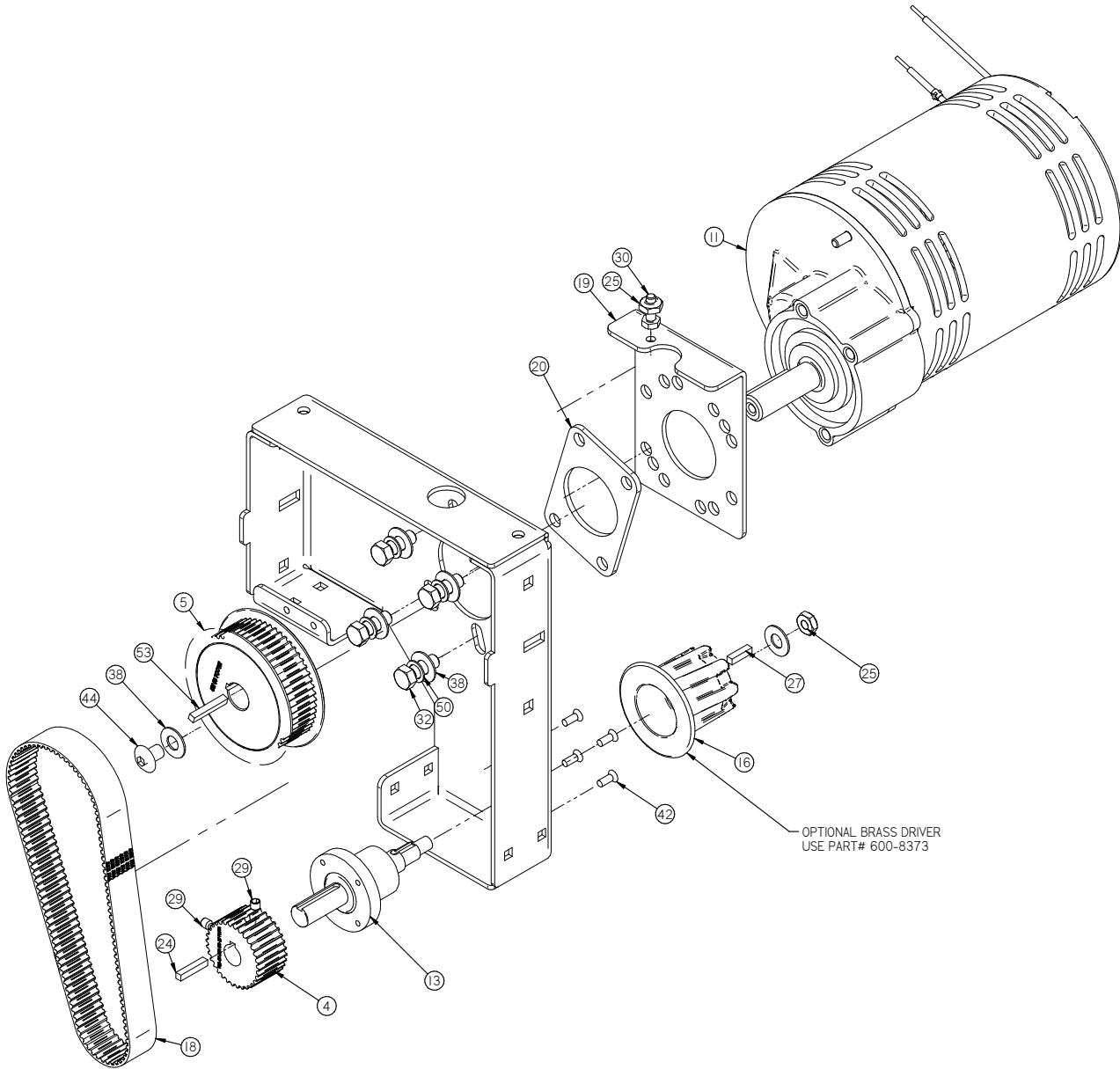


Disk Decks

| Item | Part No. | Part Description | Qty. |
|------|-------------|---|------|
| 1 | 10-00 | 10" ADJUSTABLE LATERAL ARM BODY | 2 |
| 2 | 150-5786 | STAR KNOB, 3/8-16 THREAD | 4 |
| 3 | 150-9583 | ADJUSTABLE ROD END (LH THREAD) | 2 |
| 4 | 150-9584 | ADJUSTABLE ROD END (RH TREAD) | 2 |
| 5 | 175-2700 | NEG INSULATOR POST (BLACK) | 2 |
| 6 | 175-2710 | POS INSULATOR POST (RED) | 4 |
| 7 | 175-2780 | BLACK INSULATOR BOOT | 1 |
| 8 | 175-2790 | RED INSULATOR BOOT | 1 |
| 9 | 250-1077 | 33" REAR DECK CURTAIN BAND | 1 |
| 10 | 250-1078 | 25/29/33 REAR DECK CURTAIN | 1 |
| 11 | 250-1079 | 33 FRONT DECK CURTAIN BAND | 1 |
| 12 | 250-1103 | DISK SCRUB DECK BRACKET | 1 |
| 13 | 250-1184 | SHROUD ADJ. KNOB (3/8-16 THREAD) | 4 |
| 14 | 250-1310 | 33" FRONT DECK CURTAIN | 1 |
| 15 | 250-4022 | DISK DECK HEIGHT ADJUSTMENT | 1 |
| 16 | 264-5003 | BRUSH DRIVER ROUNDED TOOTH | 2 |
| 17 | 264-5005 | DRIVER SPACER | 2 |
| 18 | 300-4030 | LEVEL | 2 |
| 19 | 370-1081 | SLEEVE BEARING | 1 |
| 20 | 370-1247 | BUSHING 5/16 X 1/2 X 3/16 | 4 |
| 21 | 370-2210 | 4" STROKE 36V ACTUATOR 450 LB LOAD | 1 |
| 22 | 4-386 | LIFT LEVER SPRING | 4 |
| 23' | 5-124 | LATERAL ARM | 1 |
| 24 | 5-431 | 1/4" X 1" KEY | 2 |
| 25' | 500-2240 | 4" STROKE ACTUATOR (36V 900Nm) | 1 |
| 26' | 600-2240 | 3 INCH STROKE ACTUATOR (24V) | 1 |
| 27' | 650-1103 | DISK SCRUB DECK BRACKET | 1 |
| 28 | 650-1265 | SCRUB ARM BRACKET | 2 |
| 29 | 650-4020 | 30"-34" SCRUB DECK | 1 |
| 30 | 650-9586 | DISK LATERAL ARM | 1 |
| 31' | 650-9587 | LIFT ARM CROSS BAR | 1 |
| 32 | 7-247 | 5/8" PLASTIC BARB TEE | 1 |
| 33 | 7-248 | 5/8 BARB TO 1/2 NPT ELBOW | 2 |
| 34 | H-0172519 | CB #10-32 X 5/8" SS | 14 |
| 35 | H-0175075 | LH HX JAM .50-20 SS | 2 |
| 36 | H-07005 | 1/2" NPT LOCKNUT | 8 |
| 37 | H-081 | CLAMP 1.0"- 1-1/8" SS | 5 |
| 38 | H-70055 | HCS 5/16"- 18 X 1" SS | 2 |
| 39 | H-70105 | HCS 3/8"- 16 X 1" SS | 8 |
| 40 | H-70712 | HN 3/8"-16 SS | 2 |
| 41 | H-70834 | HX JAM .50-20 SS | 2 |
| 42 | H-70858 | NYLOK #10-32 SS | 12 |
| 43 | H-70861 | NYLOK 5/16" - 18 SS | 12 |
| 44 | H-71015 | FW 5/16 ID X 3/4 OD SS | 14 |
| 45 | H-71017 | FW 3/8 ID X 7/8 OD SS | 8 |
| 46 | H-71065 | LW 5/16" SS | 2 |
| 47 | H-71067 | LW 3/8" SS | 12 |
| 48 | H-71071 | LW 1/2" SS | 4 |
| 49 | H-71190 | HCS 3/8"- 16 X 2-1/2" SS (FULLY THREADED) | 1 |
| 50 | H-71190 | HCS 3/8"- 16 X 2-1/2" SS (FULLY THREADED) | 4 |
| 51 | H-72556 | PPH #10-32 X 2" SS | 4 |
| 52 | H-74430 | CB 5/16"- 18 X 1" SS | 8 |
| 53 | H-74432 | CB 5/16"- 18 X 1-1/2" SS | 4 |
| 54 | H-923903 | 3/8" X 4" CLEVIS PIN | 2 |
| 55 | H-96544 | SPRING, 4-1/8" LG X 9/16" OD (42E) | 2 |
| 56 | H-RUE14 | 3/8" RUE RING COTTER | 2 |
| 57 | M-5463K494 | 1/2 NPT X 1/4" BARB ELBOW | 2 |
| 58 | M-5463K606 | 1/4" X 1/4" PLASTIC BARBED TEE | 1 |
| 59 | M-98126A739 | SHIM, 1/2" ID X 3/4" OD X 1/16" THICK, S/S | 4 |
| 60 | T-025B6000 | BULK 1/4" ID X 5' BLUE ZERO HOSE | 1 |
| 61 | T-025B6000 | BULK 1/4" ID X 5' BLUE ZERO HOSE | 1 |
| 62 | T-025B6000 | BULK 1/4" ID X 5' BLUE ZERO HOSE | 1 |
| 63 | T-050R6000 | BULK 1/2" ID X 5' WIRE REINFORCED SOLUTION HOSE | 1 |
| 64 | T-050R6000 | BULK 1/2" ID X 5' WIRE REINFORCED SOLUTION HOSE | 1 |
| 65 | T-050R6000 | BULK 1/2" ID X 5' WIRE REINFORCED SOLUTION HOSE | 1 |

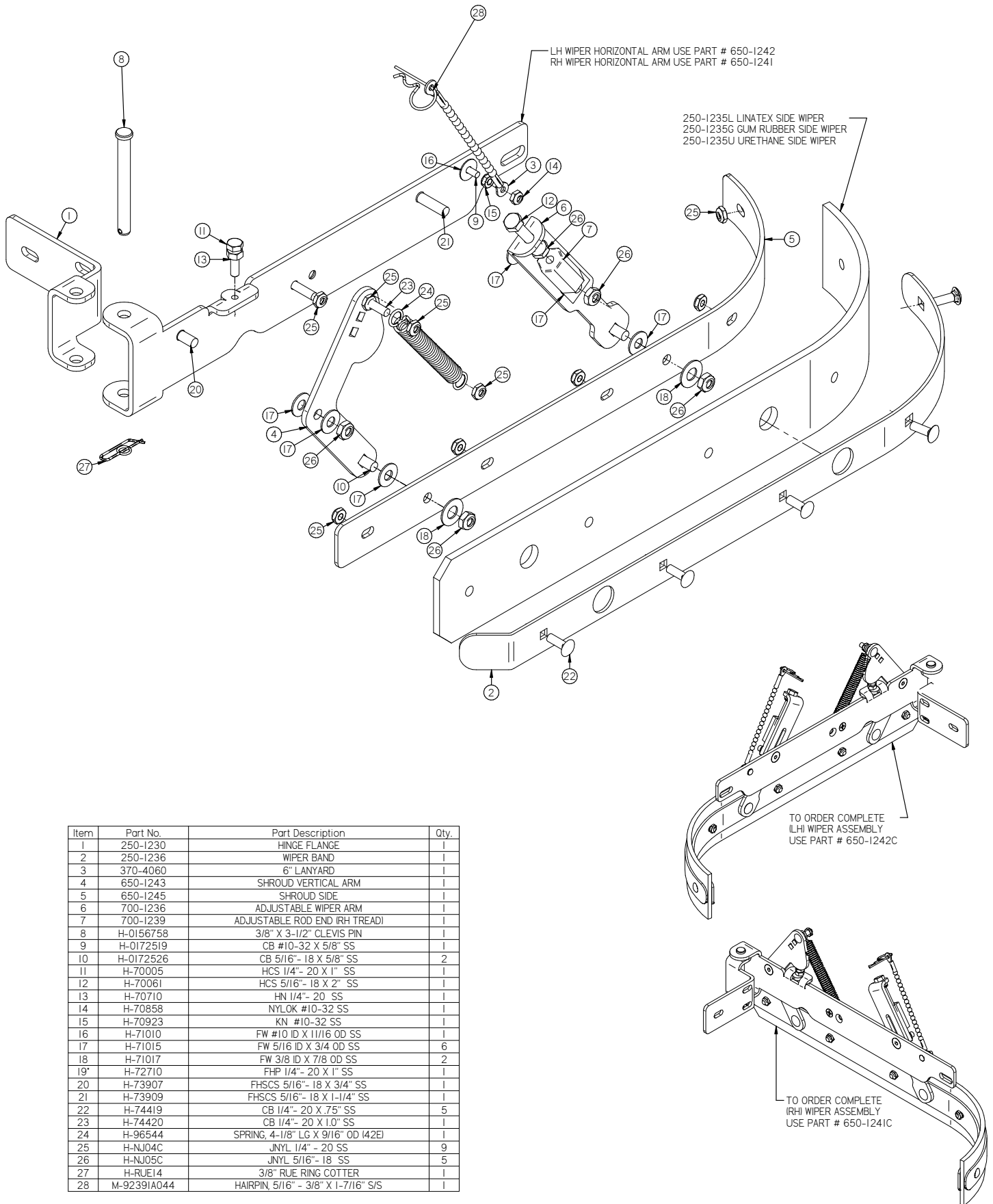


Cylindrical Decks



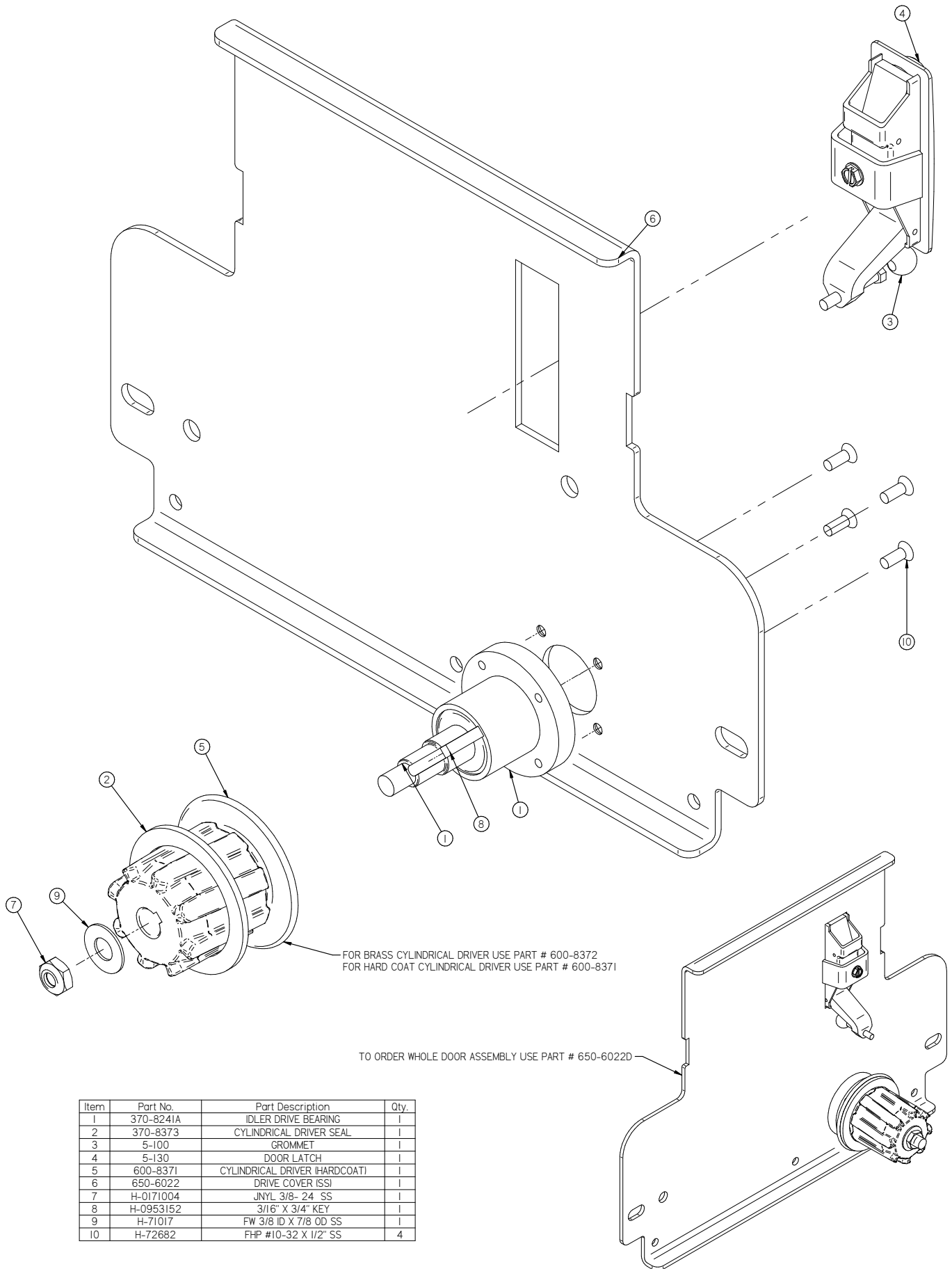
OPTIONAL BRASS DRIVER
USE PART# 600-8373

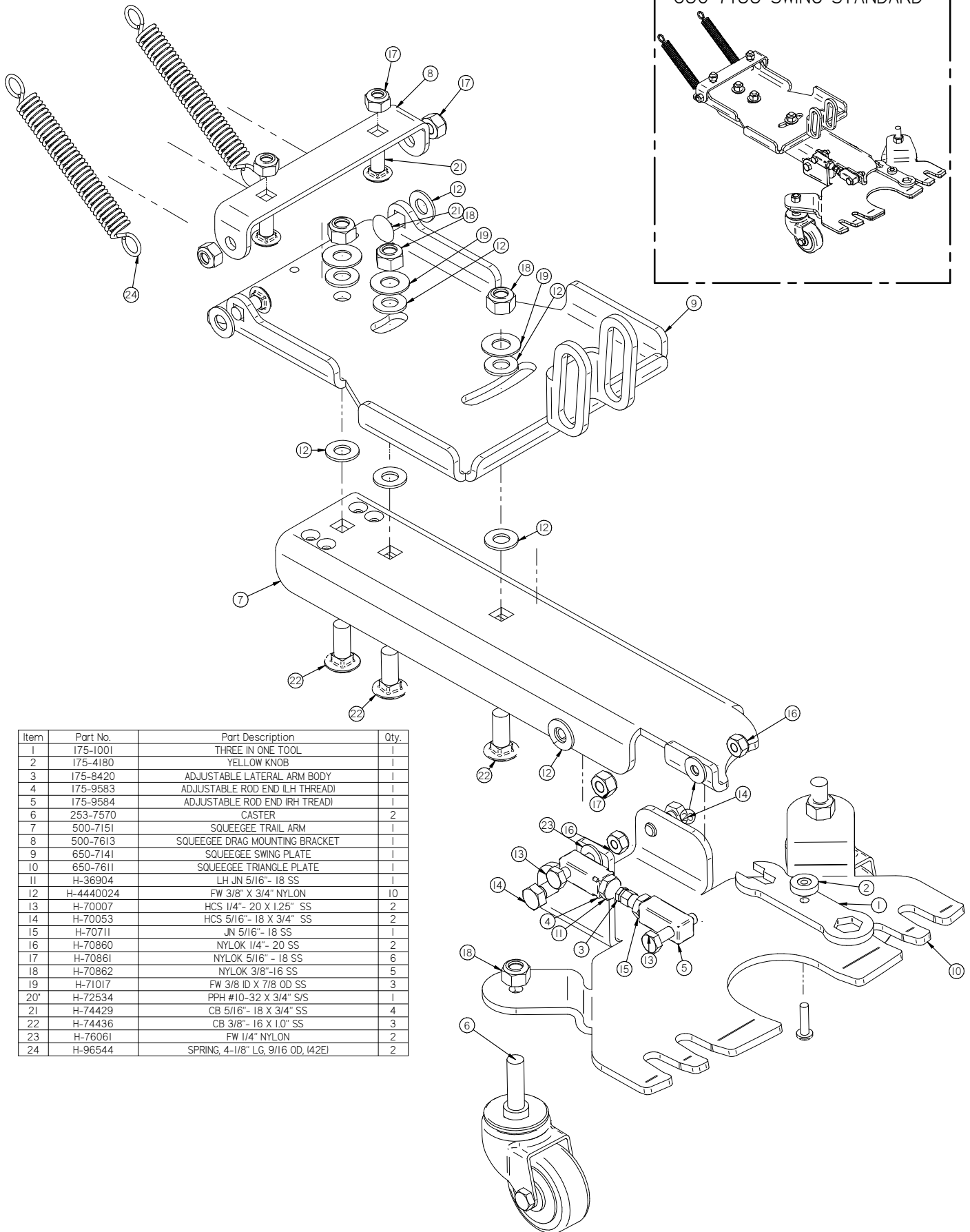
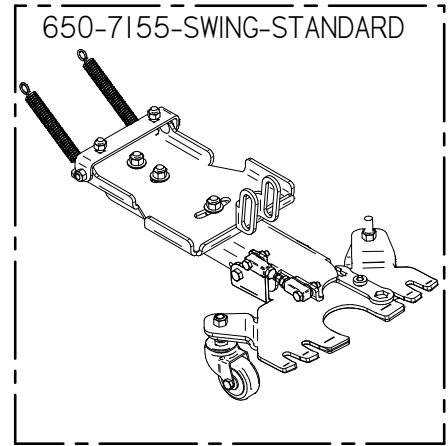
| Item | Part No. | Part Description | Qty. | Item | Part No. | Part Description | Qty. |
|------|-----------|---|------|------|----------|---|------|
| 1 | 250-0001 | RETAINER PIN | 2 | 29 | H-25379 | SETSCREW, KCP, 1/4"-20 X 1/4" | 8 |
| 2 | 250-1230 | SHROUD HINGE | 2 | 30 | H-70003 | HCS 1/4"-20 X 3/4" SS | 2 |
| 3 | 250-9003 | CYLINDRICAL LIFTING BRACKET | 1 | 31 | H-70053 | HCS 5/16"- 18 X 3/4" SS | 2 |
| 4 | 253-8215 | TIMING SPROCKET 32 TOOTH | 2 | 32 | H-70105 | HCS 3/8"- 16 X 1" SS | 8 |
| 5 | 264-8225 | TIMING SPROCKET 56 TOOTH | 2 | 33 | H-70712 | HN 3/8"-16 SS | 2 |
| 6 | 264-9029 | CYLINDRICAL BRUSHHEAD, 29" | 1 | 34 | H-70858 | NYLOK #10-32 SS | 2 |
| 7 | 290-1245 | 3/8" ID, 1/2" OD, 3/8" LG, FLANGE BEARING | 4 | 35 | H-70861 | NYLOK 5/16" - 18 SS | 32 |
| 8 | 300-4030 | LEVEL | 2 | 36 | H-70923 | KN #10-32 SS | 2 |
| 9 | 370-1237 | SOLUTION FEED BRACKET | 1 | 37 | H-71015 | FW 5/16 ID X 3/4 OD SS | 14 |
| 10 | 370-1247 | BUSHING 5/16 X 1/2 X 3/16 | 4 | 38 | H-71017 | FW 3/8 ID X 7/8 OD SS | 18 |
| 11 | 370-2220 | MOTOR 36V 1.5 HP X 350 RPM | 2 | 39 | H-71065 | LW 5/16" SS | 2 |
| 12 | 370-2240 | 2" STROKE 36V ACTUATOR 450 LB LOAD | 1 | 40 | H-71190 | HCS 3/8"- 16 X 2-1/2" SS (FULLY THREADED) | 1 |
| 13 | 370-8240A | BEARING HOUSING/BEARING | 2 | 41 | H-72554 | PPH #10-32 X 1-1/2" | 2 |
| 14' | 370-9002 | MOTOR SHIELD | 2 | 42 | H-72682 | FHP #10-32 X 1/2" SS | 8 |
| 15 | 4-25 | 6.25"ADJUSTABLE LATERAL ARM | 2 | 43 | H-73459 | SHCS 1/4"-20 X 1/2" SS | 4 |
| 16 | 600-8371 | CYLINDRICAL DRIVER (HARD/COAT) | 2 | 44 | H-73811 | BHSCS 3/8"- 16 X 1/2" SS | 2 |
| 17 | 650-1265 | SCRUB ARM BRACKET | 2 | 45 | H-74417 | CB 1/4"- 20 X .5" SS | 2 |
| 18 | 650-8230 | HI-PERFORMANCE PD PLUS BELT HTD 555-5M | 2 | 46 | H-74429 | CB 5/16"- 18 X 3/4" SS | 24 |
| 19 | 650-9002 | MOTOR ADJ BRACKET | 2 | 47 | H-74430 | CB 5/16"- 18 X 1" SS | 4 |
| 20 | 650-9004 | MOTOR SPACER | 2 | 48 | H-74432 | CB 5/16"- 18 X 1-1/2" SS | 4 |
| 21 | 650-9072 | CYL REAR SUPPORT BRACKET, LH | 1 | 49 | H-744?? | CB 5/16"- 18 X 1/2" SS | 6 |
| 22 | 650-9073 | CYL REAR SUPPORT BRACKET, RH | 1 | 50 | H-90895 | WASHER SERRATED BELLEVILLE, 3/8", S/S | 8 |
| 23 | 650-9585 | CYL LATERAL ARM | 1 | 51 | H-96544 | SPRING, 4-1/8" LG, 9/16 OD, 142EJ | 4 |
| 24 | H-01125 | 3/16" X 1" KEY | 2 | 52 | H-98025 | FW 3/8" GRADE 8 | 4 |
| 25 | H-0171004 | JNYL 3/8- 24 SS | 4 | 53 | H-K14320 | 3/16" X 1 1/4" KEY | 2 |
| 26' | H-07088 | HOLE PLUG, 7/8" | 2 | 54 | H-NJ04C | JNYL 1/4" - 20 SS | 4 |
| 27 | H-0953152 | 3/16" X 3/4" KEY | 2 | 55 | H-NJ05C | JNYL 5/16"- 18 SS | 6 |
| 28 | H-1121256 | 3/8" X 4" CLEVIS PIN | 2 | 56 | H-RUE14 | 3/8" RUE RING COTTER | 2 |



| Item | Part No. | Part Description | Qty. |
|------|-------------|-------------------------------------|------|
| 1 | 250-1230 | HINGE FLANGE | 1 |
| 2 | 250-1236 | WIPER BAND | 1 |
| 3 | 370-4060 | 6" LANYARD | 1 |
| 4 | 650-1243 | SHROUD VERTICAL ARM | 1 |
| 5 | 650-1245 | SHROUD SIDE | 1 |
| 6 | 700-1236 | ADJUSTABLE WIPER ARM | 1 |
| 7 | 700-1239 | ADJUSTABLE ROD END (RH TREAD) | 1 |
| 8 | H-0156758 | 3/8" X 3-1/2" CLEVIS PIN | 1 |
| 9 | H-0172519 | CB #10-32 X 5/8" SS | 1 |
| 10 | H-0172526 | CB 5/16"- 18 X 5/8" SS | 2 |
| 11 | H-70005 | HCS 1/4"- 20 X 1" SS | 1 |
| 12 | H-70061 | HCS 5/16"- 18 X 2" SS | 1 |
| 13 | H-70710 | HN 1/4"- 20 SS | 1 |
| 14 | H-70858 | NYLOK #10-32 SS | 1 |
| 15 | H-70923 | KN #10-32 SS | 1 |
| 16 | H-71010 | FW #10 ID X 11/16 OD SS | 1 |
| 17 | H-71015 | FW 5/16 ID X 3/4 OD SS | 6 |
| 18 | H-71017 | FW 3/8 ID X 7/8 OD SS | 2 |
| 19 | H-72710 | FHP 1/4"- 20 X 1" SS | 1 |
| 20 | H-73907 | FHSCS 5/16"- 18 X 3/4" SS | 1 |
| 21 | H-73909 | FHSCS 5/16"- 18 X 1-1/4" SS | 1 |
| 22 | H-74419 | CB 1/4"- 20 X .75" SS | 5 |
| 23 | H-74420 | CB 1/4"- 20 X 1.0" SS | 1 |
| 24 | H-96544 | SPRING, 4-1/8" LG X 9/16" OD (42E) | 1 |
| 25 | H-NJ04C | JNYL 1/4" - 20 SS | 9 |
| 26 | H-NJ05C | JNYL 5/16" - 18 SS | 5 |
| 27 | H-RUE14 | 3/8" RUE RING COTTER | 1 |
| 28 | M-92391A044 | HAIRPIN, 5/16" - 3/8" X 1-7/16" S/S | 1 |

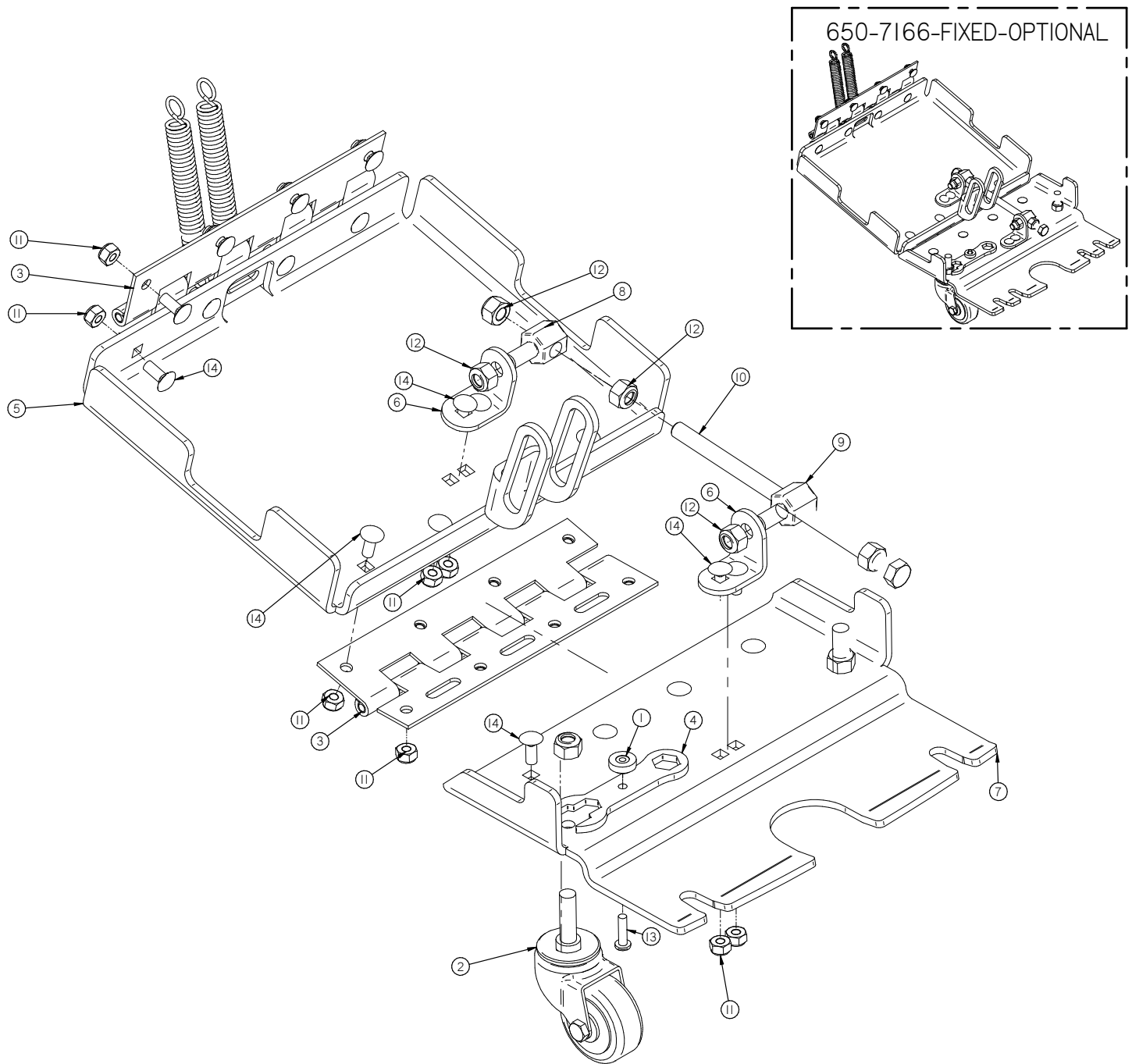
Cylindrical Doors





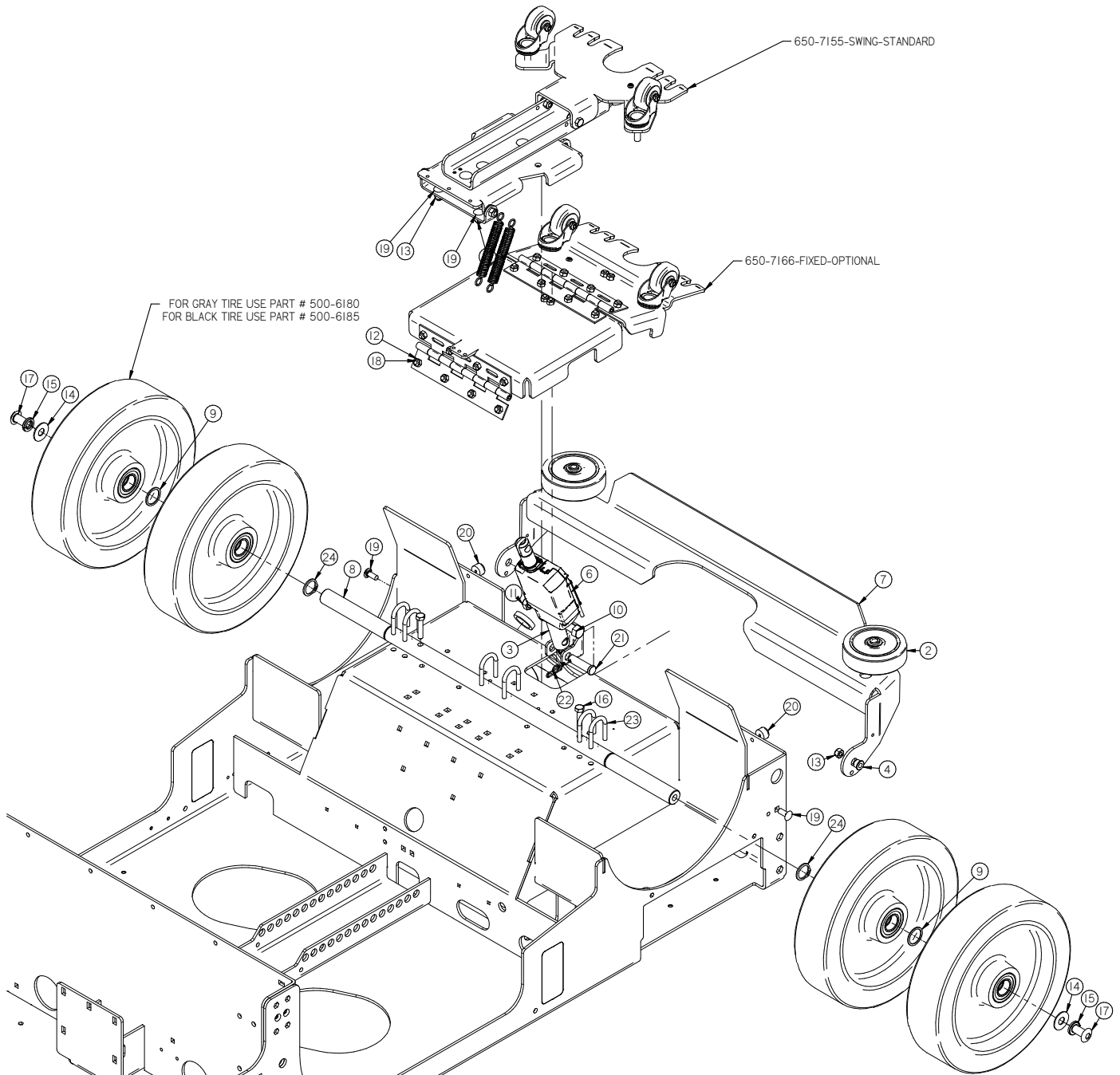
| Item | Part No. | Part Description | Qty. |
|------|-----------|-----------------------------------|------|
| 1 | 175-1001 | THREE IN ONE TOOL | 1 |
| 2 | 175-4180 | YELLOW KNOB | 1 |
| 3 | 175-8420 | ADJUSTABLE LATERAL ARM BODY | 1 |
| 4 | 175-9583 | ADJUSTABLE ROD END (LH THREAD) | 1 |
| 5 | 175-9584 | ADJUSTABLE ROD END (RH TREAD) | 1 |
| 6 | 253-7570 | CASTER | 2 |
| 7 | 500-7151 | SQUEEGEE TRAIL ARM | 1 |
| 8 | 500-7613 | SQUEEGEE DRAG MOUNTING BRACKET | 1 |
| 9 | 650-7141 | SQUEEGEE SWING PLATE | 1 |
| 10 | 650-7611 | SQUEEGEE TRIANGLE PLATE | 1 |
| 11 | H-36904 | LH JN 5/16" - 18 SS | 1 |
| 12 | H-4440024 | FW 3/8" X 3/4" NYLON | 10 |
| 13 | H-70007 | HCS 1/4" - 20 X 1.25" SS | 2 |
| 14 | H-70053 | HCS 5/16" - 18 X 3/4" SS | 2 |
| 15 | H-70711 | JN 5/16" - 18 SS | 1 |
| 16 | H-70860 | NYLOK 1/4" - 20 SS | 2 |
| 17 | H-70861 | NYLOK 5/16" - 18 SS | 6 |
| 18 | H-70862 | NYLOK 3/8"-16 SS | 5 |
| 19 | H-71017 | FW 3/8 ID X 7/8 OD SS | 3 |
| 20 | H-72534 | PPH #10-32 X 3/4" S/S | 1 |
| 21 | H-74429 | CB 5/16" - 18 X 3/4" SS | 4 |
| 22 | H-74436 | CB 3/8" - 16 X 1.0" SS | 3 |
| 23 | H-76061 | FW 1/4" NYLON | 2 |
| 24 | H-96544 | SPRING, 4-1/8" LG, 9/16 OD, 142EJ | 2 |

Squeegee Trail Arm - Optional



| Item | Part No. | Part Description | Qty. |
|------|-----------|-----------------------------------|------|
| 1 | 175-4180 | YELLOW KNOB | 1 |
| 2 | 253-7570 | CASTER | 2 |
| 3 | 5-122 | 8" SS HINGE | 2 |
| 4 | 650-1001 | THREE IN ONE TOOL | 1 |
| 5 | 650-7143 | SQUEEGEE LIFT PLATE | 1 |
| 6 | 650-7608 | SQUEEGEE ADJ BRACKET | 2 |
| 7 | 650-7609 | SQUEEGEE TRIANGLE PLATE | 1 |
| 8 | 650-9583 | ADJUSTABLE ROD END ANCHOR | 1 |
| 9 | 650-9584 | THREADED ADJUSTABLE ROD END | 1 |
| 10 | H-0172941 | HCS 3/8"- 16 X 7" FULL THREAD SS | 1 |
| 11 | H-70860 | NYLOK 1/4"- 20 SS | 17 |
| 12 | H-70862 | NYLOK 3/8"-16 SS | 7 |
| 13 | H-72534 | PPH #10-32 X 3/4" S/S | 1 |
| 14 | H-74418 | CB 1/4"- 20 X 5/8" S/S | 19 |
| 15 | H-96544 | SPRING, 4-1/8" LG, 9/16 OD, I42E) | 2 |

Attaching Squeegee Trail Arm, Bumper, & Axle

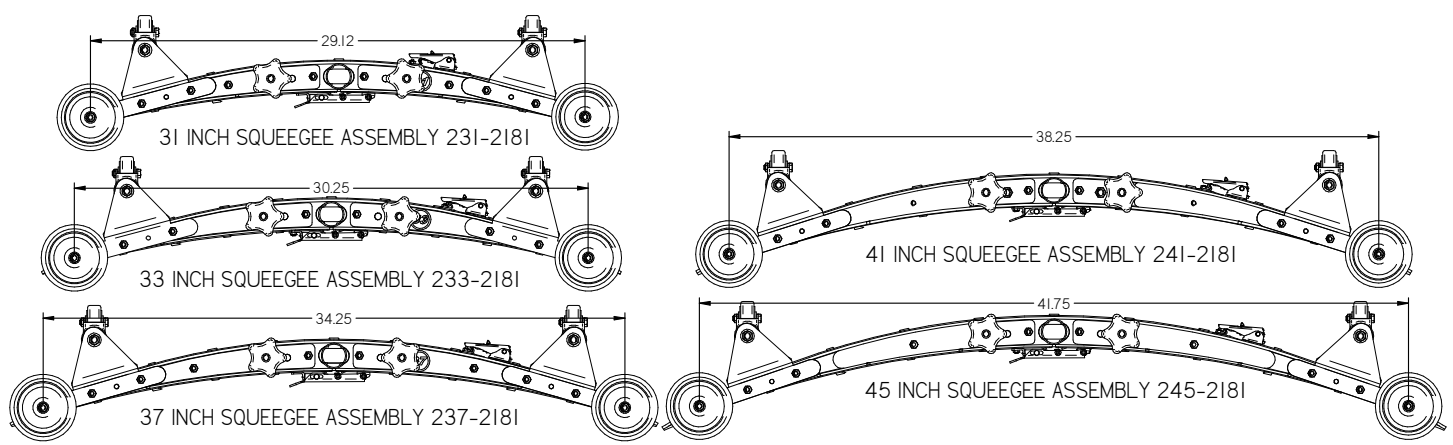
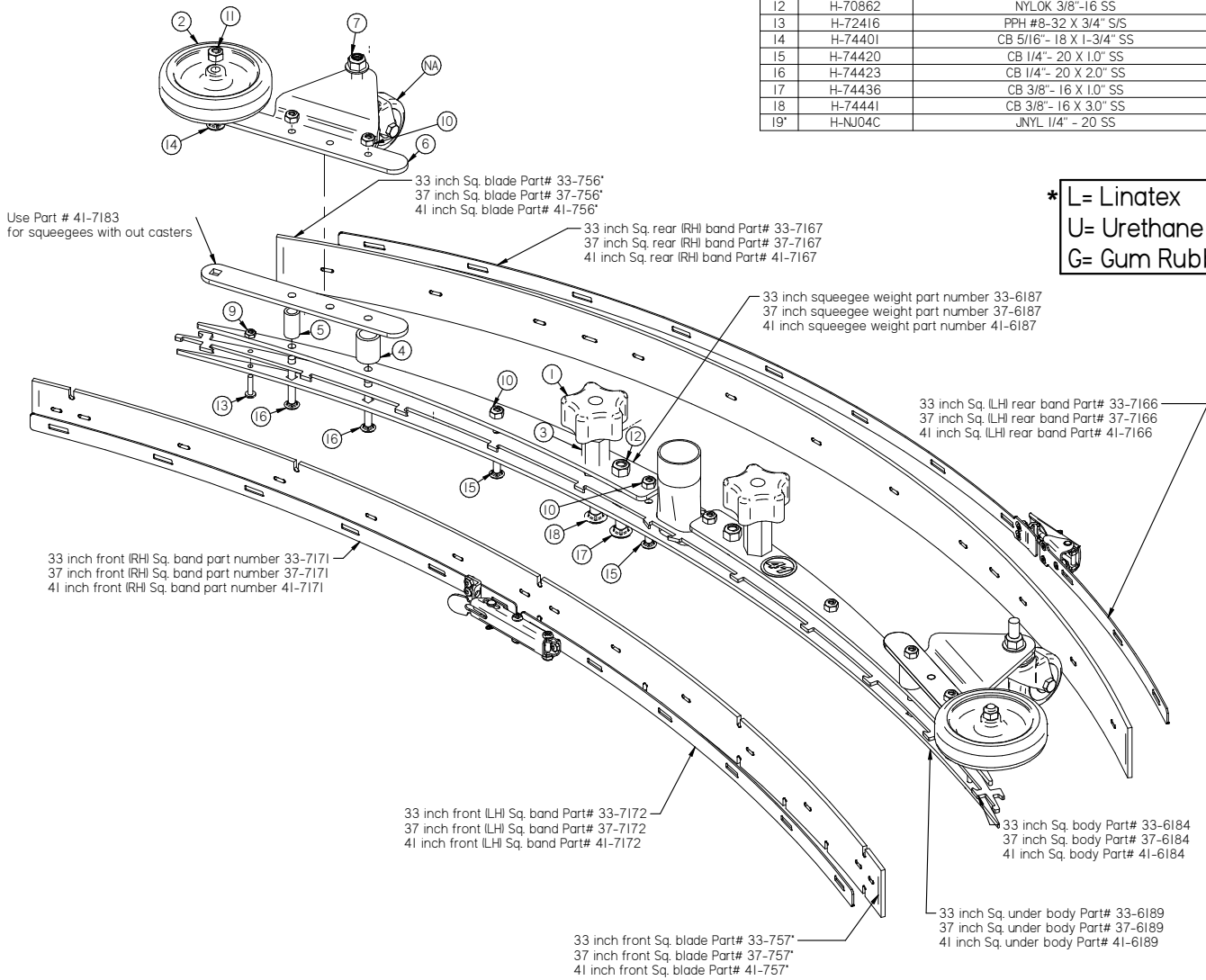


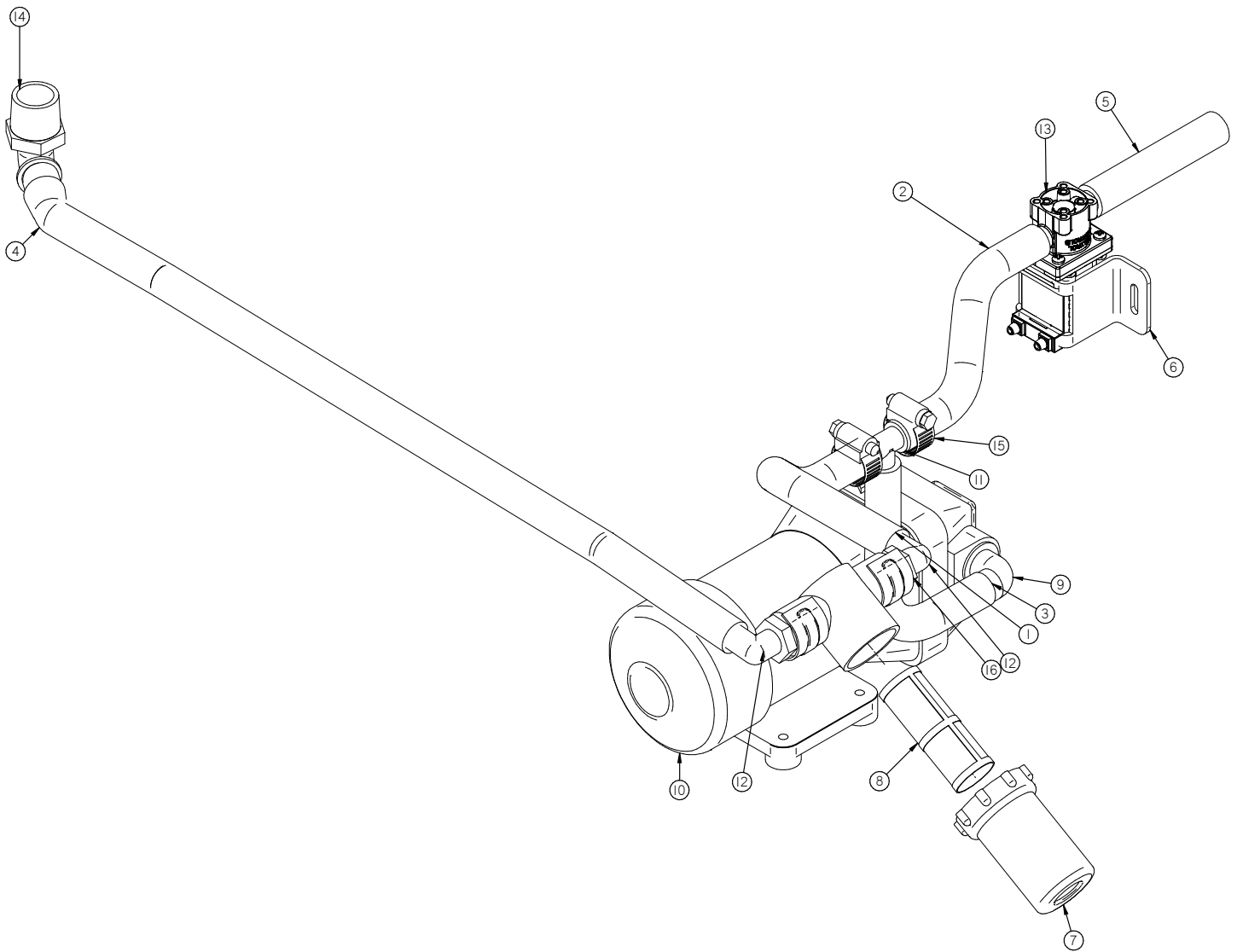
| Item | Part No. | Part Description | Qty. |
|------|-------------|--|------|
| 1 | 150-1006 | LIFTING BRACKET | 1 |
| 2 | 190-3030 | 4.0" WHEEL (GRAY) | 2 |
| 3 | 260-2469 | ACTUATOR ADAPTER | 1 |
| 4 | 370-1245 | BUSHING | 2 |
| 5 | 370-2930 | ALARM (9I dPa) | 1 |
| 6 | 600-2210 | 2.0" STROKE ACTUATOR (36V 600Nm) | 1 |
| 7 | 650-1107 | SWING AWAY BUMPER/STEP | 1 |
| 8 | 650-1271 | AXLE | 1 |
| 9 | H-06596 | FW 1.0" ID X 1-1/4" OD NYLON | 2 |
| 10 | H-11567651 | HCS M12-1.75 X 40MM ZINK | 1 |
| 11 | H-40171 | NYLOK M12-1.75 ZINK | 1 |
| 12 | H-70860 | NYLOK 1/4" - 20 SS | 7 |
| 13 | H-70861 | NYLOK 5/16" - 18 SS | 9 |
| 14 | H-71021 | FW 1/2 ID X 1-1/4 OD SS | 2 |
| 15 | H-71071 | LW 1/2" SS | 2 |
| 16 | H-71180 | HCS 5/16" - 18 X 1-1/2" FULLY THREADED | 2 |
| 17 | H-73834 | BHSCS 1/2- 13 X 1" SS | 2 |
| 18 | H-74418 | CB 1/4" - 20 X 5/8" S/S | 4 |
| 19 | H-74429 | CB 5/16" - 18 X 3/4" SS | 4 |
| 20 | H-9540 | RUBBER BUMPER, 25/32" | 2 |
| 21 | H-CP226 | 1/2" X 1-3/4" CLEVIS PIN | 1 |
| 22 | H-RUE22 | 1/2" RUE RING COTTER | 1 |
| 23 | M-3043T13 | 1/4-20 X 1.0" U-BOLT | 6 |
| 24 | M-98585A121 | 1 INCH EXTERNAL RETAINING RING | 2 |

Squeegee Assembly

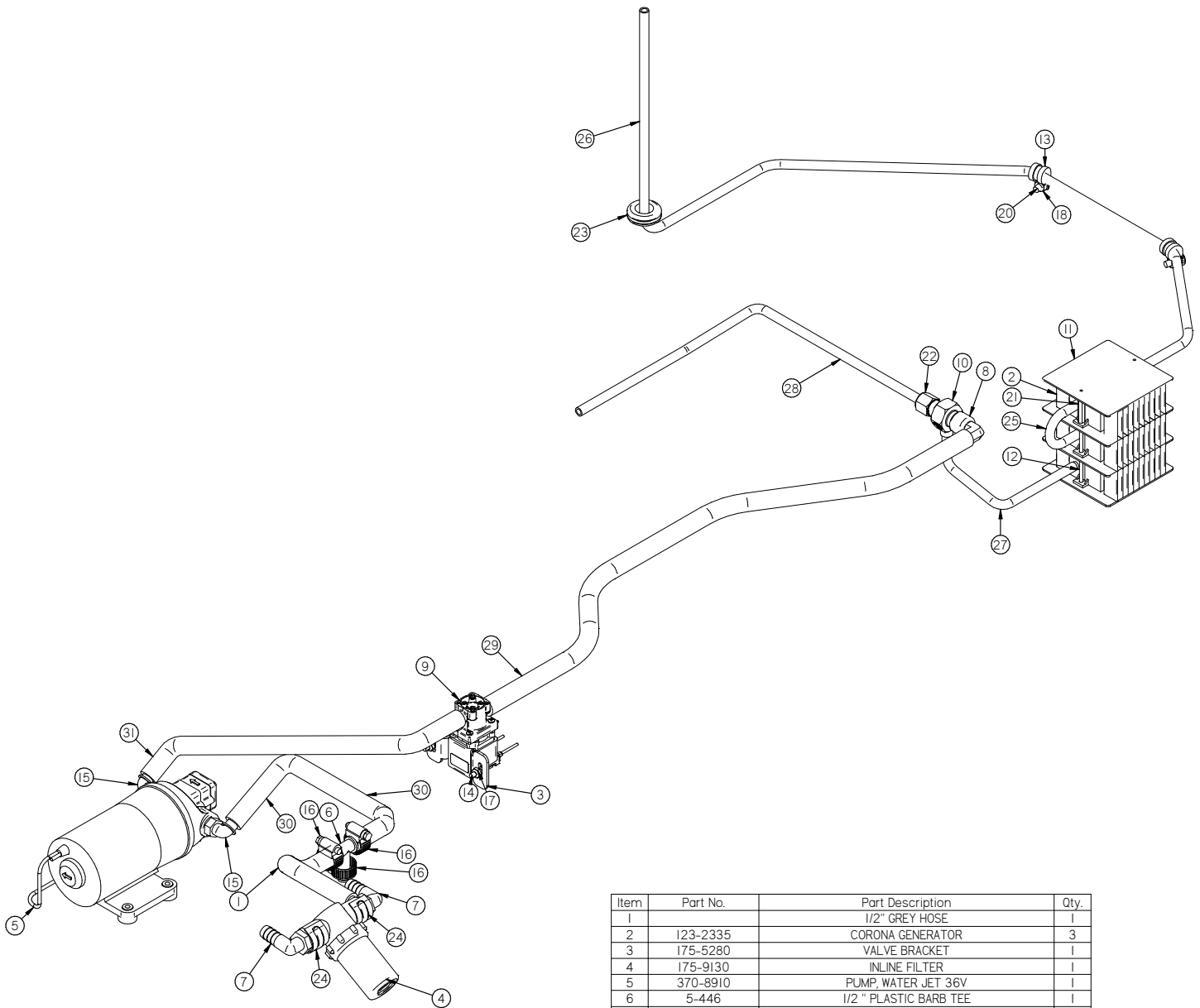
| Item | Part No. | Part Description | Qty. |
|------|------------|-------------------------------|------|
| 1 | I50-5786 | STAR KNOB, 3/8-16 THREAD | 2 |
| 2 | I50-7600 | 4" SIDE WHEEL (GREY) | 1 |
| 3 | 33-8460 | STANDOFF, 1.5" | 2 |
| 4 | 37-0007 | SQUEEGEE ROLLER SPACER | 1 |
| 5 | 37-0008 | SQUEEGEE ROLLER SPACER | 1 |
| 6 | 45-7184 | SQUEEGEE CASTER BRACKET (RHI) | 1 |
| 7 | H-0129152A | FLANGED NUT 3/8-16 | 1 |
| 8* | H-70009 | HCS 1/4"- 20 X 1.5" SS | 1 |
| 9 | H-70856 | NYLOK #8-32 SS | 2 |
| 10 | H-70860 | NYLOK 1/4"- 20 SS | 8 |
| 11 | H-70861 | NYLOK 5/16" - 18 SS | 1 |
| 12 | H-70862 | NYLOK 3/8"-16 SS | 2 |
| 13 | H-72416 | PPH #8-32 X 3/4" S/S | 2 |
| 14 | H-74401 | CB 5/16"- 18 X 1-3/4" SS | 1 |
| 15 | H-74420 | CB 1/4"- 20 X 1.0" SS | 4 |
| 16 | H-74423 | CB 1/4"- 20 X 2.0" SS | 4 |
| 17 | H-74436 | CB 3/8"- 16 X 1.0" SS | 2 |
| 18 | H-74441 | CB 3/8"- 16 X 3.0" SS | 2 |
| 19* | H-NJ04C | JNYL 1/4" - 20 SS | 1 |

* L= Linatex
U= Urethane
G= Gum Rubber



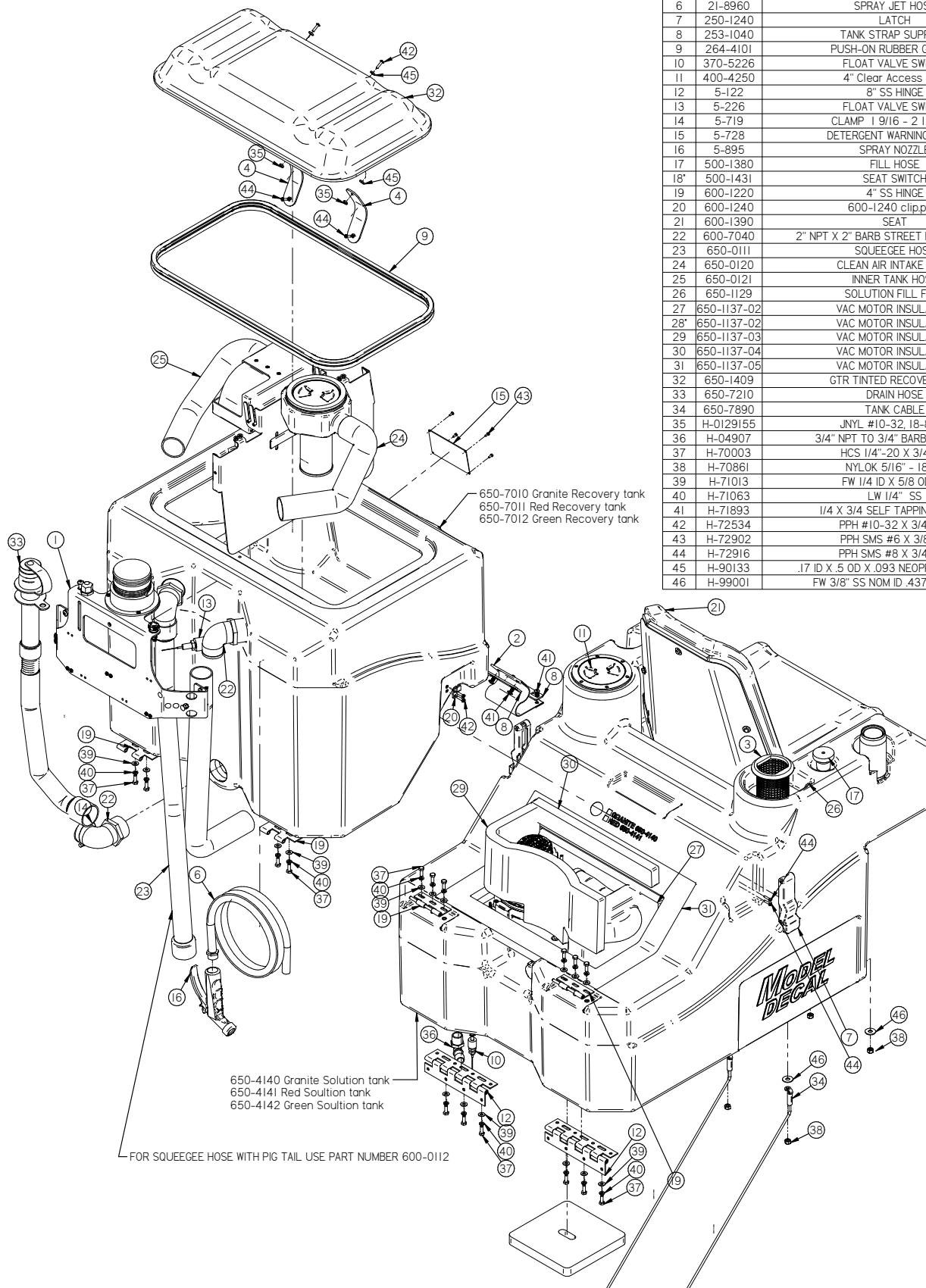


| Item | Part No. | Part Description | Qty. |
|------|-----------|---------------------------------|------|
| 1 | | 1/2" GREY HOSE | 1 |
| 2 | | 1/2" GREY HOSE | 1 |
| 3 | | 1/2" GREY HOSE | 1 |
| 4 | | 1/2" CLEAR WIRE REINFORCED HOSE | 1 |
| 5 | | 1/2" GREY HOSE | 1 |
| 6 | 150-5280 | VALVE BRACKET | 1 |
| 7 | 175-9130 | INLINE FILTER | 1 |
| 8 | 175-9130S | Black Filter Screen (40 mesh) | 1 |
| 9 | 21-1601 | 1/2" BARBED ELBOW (PLASTIC) | 1 |
| 10 | 430-8910 | PUMP, WATER JET, 36V | 1 |
| 11 | 5-446 | 1/2" PLASTIC BARB TEE | 1 |
| 12 | 5-447 | 1/2 NPT X 1/2" BARB ELBOW | 2 |
| 13 | 650-4500 | 36V VALVE | 1 |
| 14 | H-04907 | 3/4" NPT TO 3/4" BARBED ELBOW | 1 |
| 15 | H-081 | CLAMP 7/16"- 25/32" SS | 2 |
| 16 | M-9434T22 | 1.0 DIA One Hole Tube Clamp | 2 |

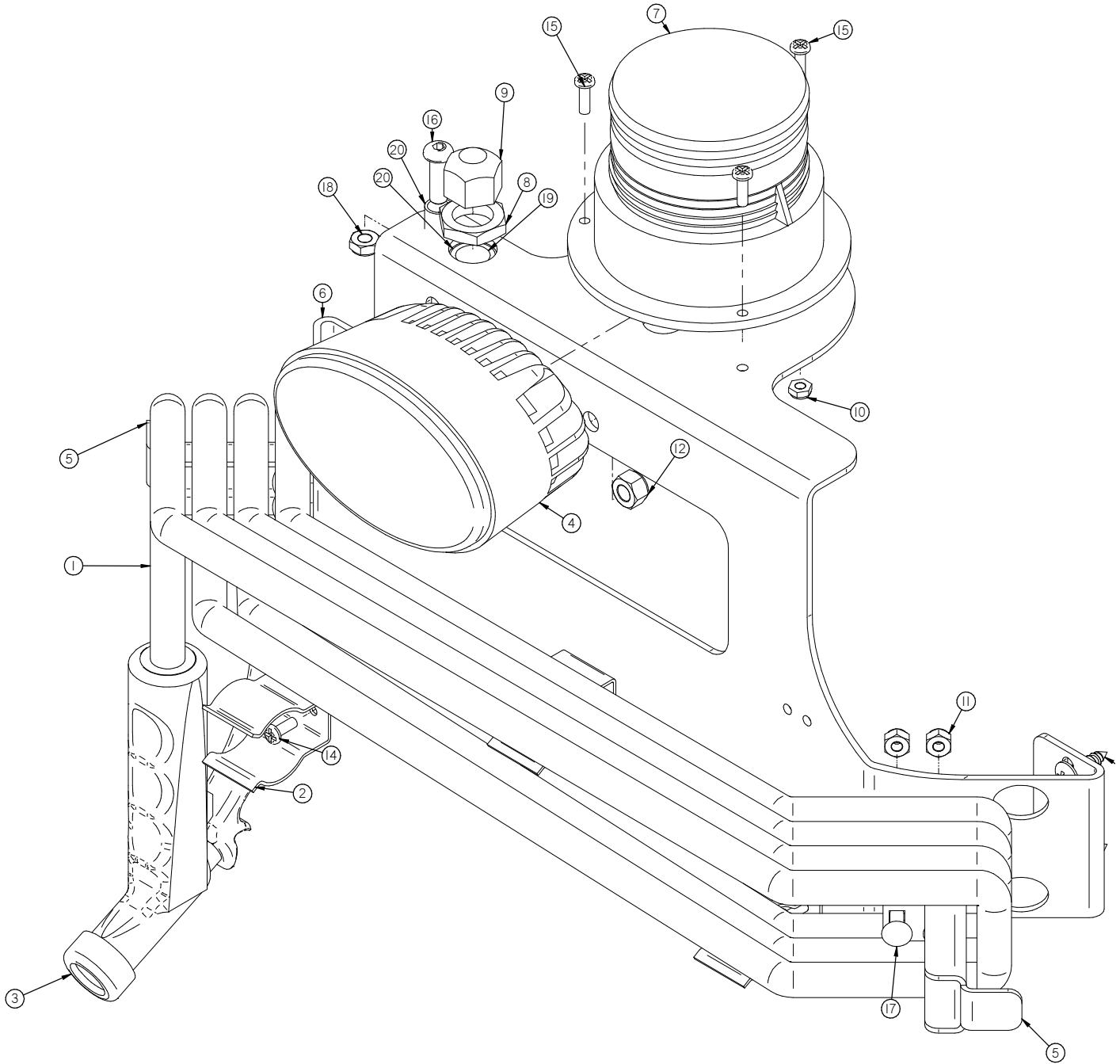


| Item | Part No. | Part Description | Qty. |
|------|-------------|--|------|
| 1 | | 1/2" GREY HOSE | 1 |
| 2 | 123-2335 | CORONA GENERATOR | 3 |
| 3 | 175-5280 | VALVE BRACKET | 1 |
| 4 | 175-9130 | INLINE FILTER | 1 |
| 5 | 370-8910 | PUMP, WATER JET 36V | 1 |
| 6 | 5-446 | 1/2" PLASTIC BARB TEE | 1 |
| 7 | 5-447 | 1/2 NPT X 1/2" BARB ELBOW | 2 |
| 8 | 5346K126 | 90 Degree Elbow for 1/2" Hose ID x 3/8" NPTF Female Pipe | 1 |
| 9 | 650-4500 | 36V VALVE | 1 |
| 10 | 650-8500 | LT BLUE INJECTOR | 1 |
| 11 | 700-2336 | GENERATOR INSULATOR | 4 |
| 12 | H- | PPH #6-32 X 4" MS S/S | 1 |
| 13 | H-0127290 | 1/2" LOOP CLAMP | 2 |
| 14 | H-0172519 | CB #10-32 X 5/8" SS | 2 |
| 15 | H-04763 | ELBOW, 90 DEG X 3/8" MNPT X 1/2" BARB, NYLON | 2 |
| 16 | H-081 | CLAMP 7/16"- 25/32" SS | 3 |
| 17 | H-70858 | NYLOK #10-32 SS | 2 |
| 18 | H-70860 | NYLOK 1/4"- 20 SS | 2 |
| 19 | H-74418 | CB 1/4"- 20 X 5/8" S/S | 1 |
| 20 | H-74419 | CB 1/4"- 20 X .75" SS | 2 |
| 21 | H-91115A135 | 6-32 X 1-1/2" STANDOFF | 2 |
| 22 | M-5346K52 | .375 NPT X .25 BRASS BARBED HOSE FITTING | 1 |
| 23 | M-9307K82 | GROMMET, 3/4" ID X 1-3/8" OD BUNA-N | 1 |
| 24 | M-9434T22 | 1.0 DIA One Hole Tube Clamp | 2 |
| 25 | T-025CS6000 | BULK 1/4" ID X 5' CLEAR SILICONE ZERO HOSE | 1 |
| 26 | T-025CS6000 | BULK 1/4" ID X 5' CLEAR SILICONE ZERO HOSE | 1 |
| 27 | T-025CS6000 | BULK 1/4" ID X 5' CLEAR SILICONE ZERO HOSE | 1 |
| 28 | T-025CS6000 | BULK 1/4" ID X 5' CLEAR SILICONE ZERO HOSE | 1 |
| 29 | T-050R6000 | BULK 1/2" ID X 5' WIRE REINFORCED SOLTION HOSE | 1 |
| 30 | T-050R6000 | BULK 1/2" ID X 5' WIRE REINFORCED SOLTION HOSE | 1 |
| 31 | T-050R6000 | BULK 1/2" ID X 5' WIRE REINFORCED SOLTION HOSE | 1 |

Solution & Recovery Tank



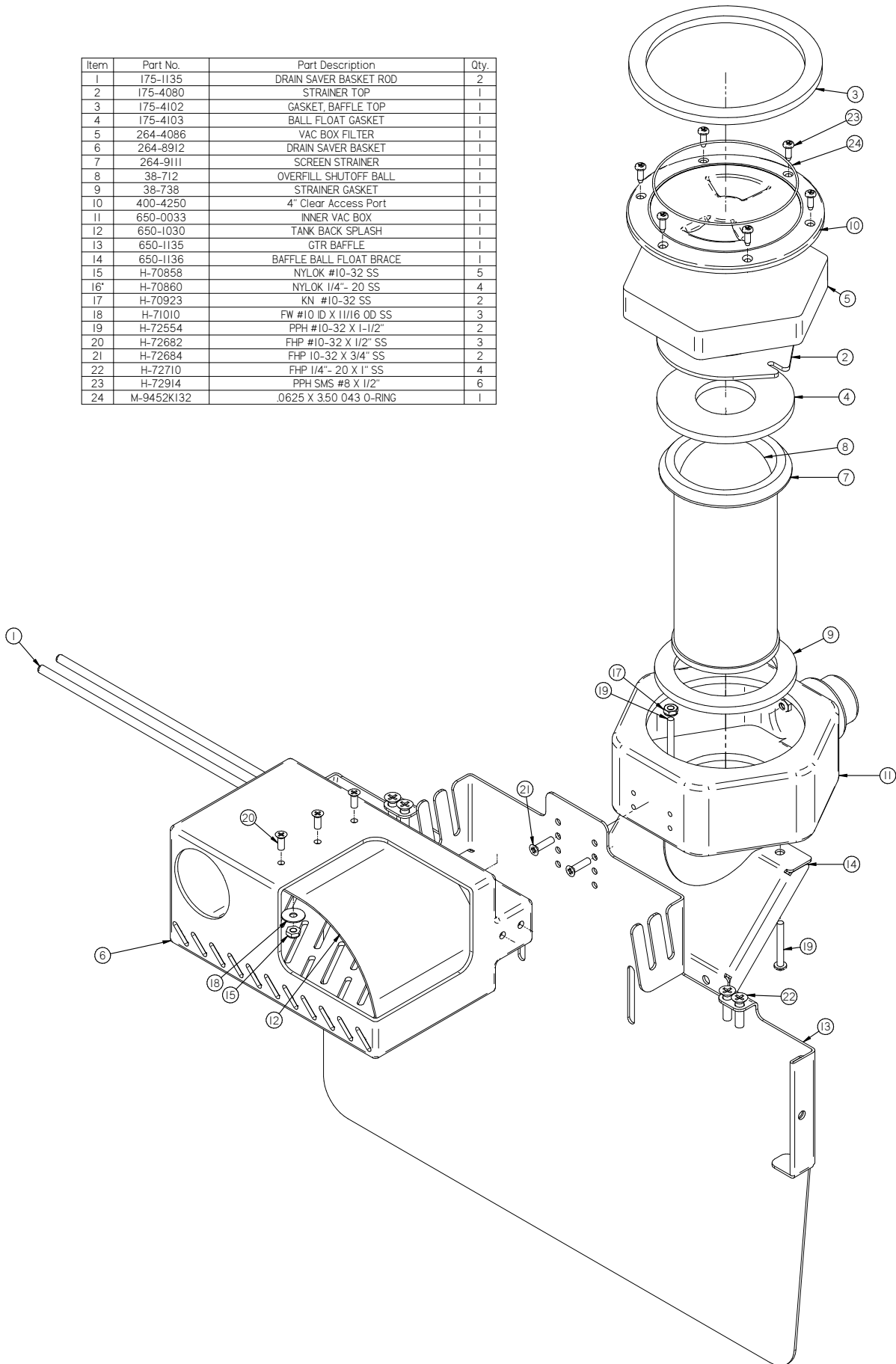
| Item | Part No. | Part Description | Qty. |
|------|-------------|---------------------------------------|------|
| 1 | | SUB # 10739 GTR UTILITY BRACKET | 1 |
| 2 | 170-1045 | TANK STRAP, 22" LG X 4" WIDE | 1 |
| 3 | 170-8911 | SCREEN STRAINER, 4-1/4" LG | 1 |
| 4 | 175-1412 | TANK LID STRAP W/GROMMETS | 2 |
| 5* | 21-1608 | 1/2" BARB X 3/4" NPT | 1 |
| 6 | 21-8960 | SPRAY JET HOSE | 1 |
| 7 | 250-1240 | LATCH | 2 |
| 8 | 253-1040 | TANK STRAP SUPPORT | 2 |
| 9 | 264-4101 | PUSH-ON RUBBER GASKET | 1 |
| 10 | 370-5226 | FLOAT VALVE SWITCH | 1 |
| 11 | 400-4250 | 4" Clear Access Port | 1 |
| 12 | 5-122 | 8" SS HINGE | 2 |
| 13 | 5-226 | FLOAT VALVE SWITCH | 1 |
| 14 | 5-719 | CLAMP 1 9/16 - 2 1/2" SS | 1 |
| 15 | 5-728 | DETERGENT WARNING PLATE | 1 |
| 16 | 5-895 | SPRAY NOZZLE | 1 |
| 17 | 500-1380 | FILL HOSE | 1 |
| 18* | 500-1431 | SEAT SWITCH | 1 |
| 19 | 600-1220 | 4" SS HINGE | 2 |
| 20 | 600-1240 | 600-1240 clip.psm | 2 |
| 21 | 600-1390 | SEAT | 1 |
| 22 | 600-7040 | 2" NPT X 2" BARB STREET ELBOW, BLACK | 3 |
| 23 | 650-0111 | SQUEEGEE HOSE | 1 |
| 24 | 650-0120 | CLEAN AIR INTAKE HOSE | 1 |
| 25 | 650-0121 | INNER TANK HOSE | 1 |
| 26 | 650-1129 | SOLUTION FILL FLAP | 1 |
| 27 | 650-1137-02 | VAC MOTOR INSULATION | 1 |
| 28* | 650-1137-02 | VAC MOTOR INSULATION | 1 |
| 29 | 650-1137-03 | VAC MOTOR INSULATION | 1 |
| 30 | 650-1137-04 | VAC MOTOR INSULATION | 1 |
| 31 | 650-1137-05 | VAC MOTOR INSULATION | 1 |
| 32 | 650-1409 | GTR TINTED RECOVERY LID | 1 |
| 33 | 650-7210 | DRAIN HOSE | 1 |
| 34 | 650-7890 | TANK CABLE | 2 |
| 35 | H-0129155 | JNYL #10-32, 18-8 S/S | 2 |
| 36 | H-04907 | 3/4" NPT TO 3/4" BARBED ELBOW | 1 |
| 37 | H-70003 | HCS 1/4"-20 X 3/4" SS | 16 |
| 38 | H-70861 | NYLOK 5/16" - 18 SS | 4 |
| 39 | H-71013 | FW 1/4 ID X 5/8 OD SS | 16 |
| 40 | H-71063 | LW 1/4" SS | 16 |
| 41 | H-71893 | 1/4 X 3/4 SELF TAPPING SCREW | 4 |
| 42 | H-72534 | PPH #10-32 X 3/4" S/S | 6 |
| 43 | H-72902 | PPH SMS #6 X 3/8" SS | 4 |
| 44 | H-72916 | PPH SMS #8 X 3/4" SS | 6 |
| 45 | H-90133 | .17 ID X .5 OD X .093 NEOPRENE WASHER | 3 |
| 46 | H-99001 | FW 3/8" SS NOM ID .4375 X OD 1.0 | 4 |

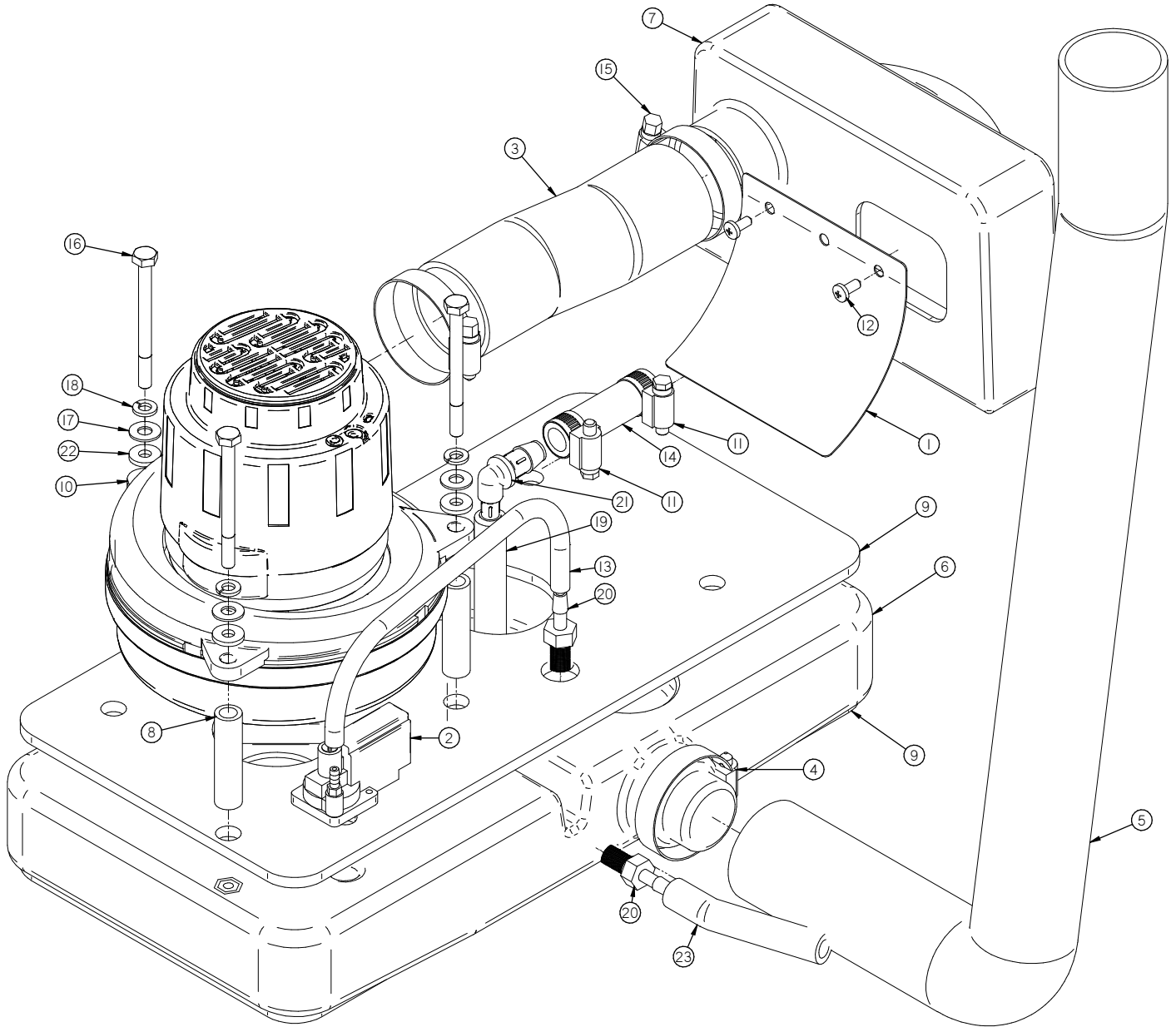


| Item | Part No. | Part Description |
|------|----------|-----------------------------|
| 1 | | SPRAY JET HOSE |
| 2 | 5-886 | WAND CLIP |
| 3 | 5-895 | SPRAY NOZZLE |
| 4 | 650-2910 | BLUE WARNING LIGHT |
| 5 | 650-4043 | HOSE WRAP |
| 6 | 650-7180 | TANK UTILITY HANDLE |
| 7 | 8-293 | STROBE LIGHT |
| 8 | H-68600 | 1/2" NPT BRASS NUT |
| 9 | H-69843 | .50 NPT CAP |
| 10 | H-70858 | NYLOK #10-32 SS |
| 11 | H-70860 | NYLOK 1/4"-20 SS |
| 12 | H-70862 | NYLOK 3/8"-16 SS |
| 13 | H-71894 | #14 X 1" SELF TAPPING SCREW |
| 14 | H-72515 | PPH #10-32 X 1/2" S/S |
| 15 | H-72517 | PPH #10-32 X 5/8" SS |

Tank Baffle

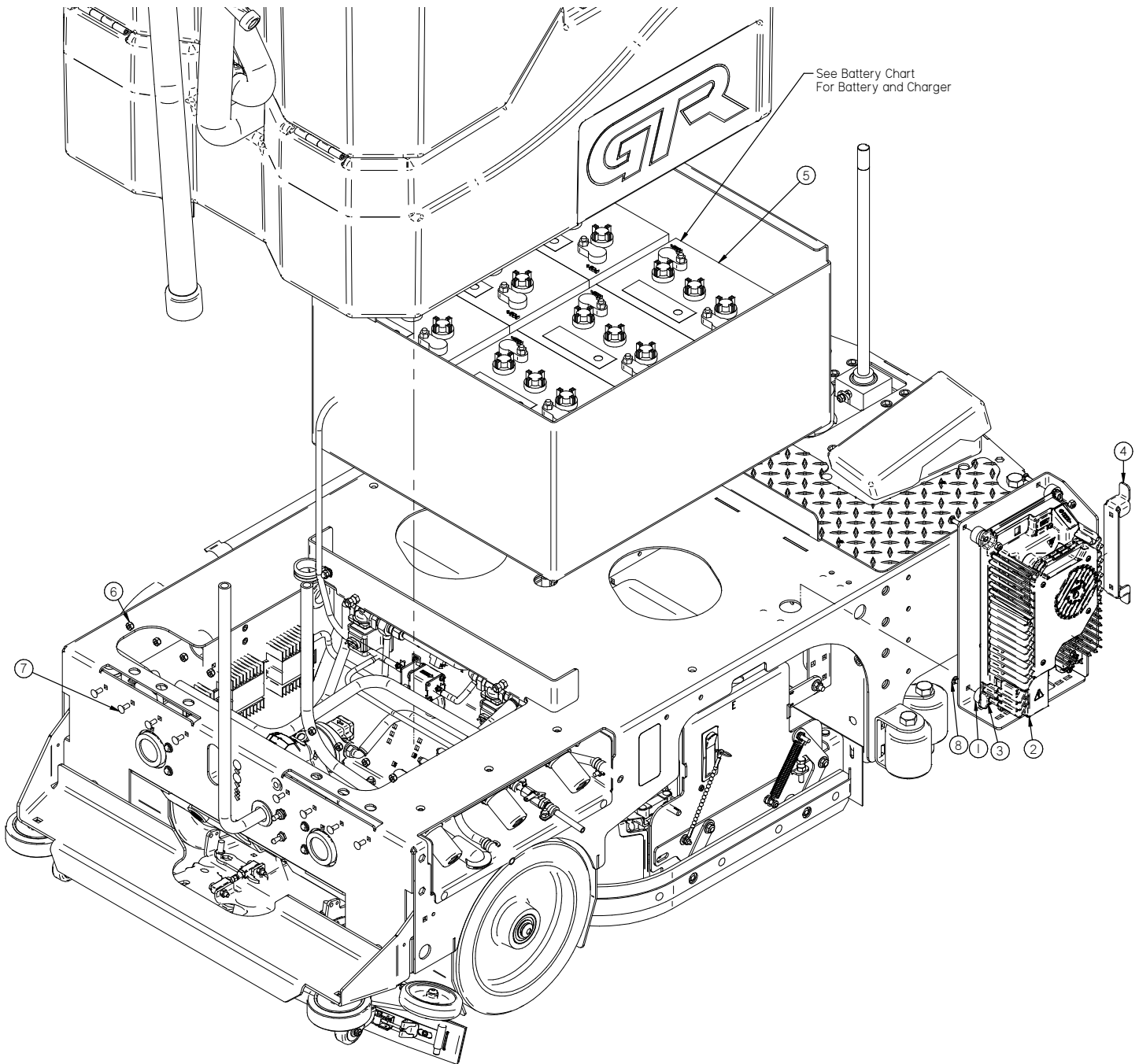
| Item | Part No. | Part Description | Qty. |
|------|------------|-------------------------|------|
| 1 | 175-1135 | DRAIN SAVER BASKET ROD | 2 |
| 2 | 175-4080 | STRAINER TOP | 1 |
| 3 | 175-4102 | GASKET, BAFFLE TOP | 1 |
| 4 | 175-4103 | BALL FLOAT GASKET | 1 |
| 5 | 264-4086 | VAC BOX FILTER | 1 |
| 6 | 264-8912 | DRAIN SAVER BASKET | 1 |
| 7 | 264-9111 | SCREEN STRAINER | 1 |
| 8 | 38-712 | OVERFILL SHUTOFF BALL | 1 |
| 9 | 38-738 | STRAINER GASKET | 1 |
| 10 | 400-4250 | 4" Clear Access Port | 1 |
| 11 | 650-0033 | INNER VAC BOX | 1 |
| 12 | 650-1030 | TANK BACK SPLASH | 1 |
| 13 | 650-1135 | GTR BAFFLE | 1 |
| 14 | 650-1136 | BAFFLE BALL FLOAT BRACE | 1 |
| 15 | H-70858 | NYLOK #10-32 SS | 5 |
| 16 | H-70860 | NYLOK 1/4"- 20 SS | 4 |
| 17 | H-70923 | KN #10-32 SS | 2 |
| 18 | H-71010 | FW #10 ID X 11/16 OD SS | 3 |
| 19 | H-72554 | PPH #10-32 X 1-1/2" | 2 |
| 20 | H-72682 | FHP #10-32 X 1/2" SS | 3 |
| 21 | H-72684 | FHP 10-32 X 3/4" SS | 2 |
| 22 | H-72710 | FHP 1/4"- 20 X 1" SS | 4 |
| 23 | H-72914 | PPH SMS #8 X 1/2" | 6 |
| 24 | M-9452K132 | .0625 X 3.50 O43 O-RING | 1 |





| Item | Part No. | Part Description | Qty. |
|------|-------------|-------------------------------------|------|
| 1 | 175-1029 | TANK BACK SPLASH | 1 |
| 2 | 175-2328 | SWITCH, VACUUM SHUTOFF | 1 |
| 3 | 264-0121 | Hose, 2.0" ID, Grey 27" L, No Cuffs | 1 |
| 4 | 5-719 | CLAMP 1 9/16 - 2 1/2 " SS | 1 |
| 5 | 650-0115 | CLEANAIR INTAKE | 1 |
| 6 | 650-1146 | GTR VAC BOX | 1 |
| 7 | 650-1148 | GTR VAC MUFFLER WALL | 1 |
| 8 | 650-2600 | SPACER, 2-1/8" LG | 3 |
| 9 | 650-3001 | VAC MOTOR GASKET | 2 |
| 10 | 650-5250 | 36 V VAC MOTOR | 1 |
| 11 | H-081 | HOSE CLAMP, 5/8"- 1-1/2" S/S | 2 |
| 12 | H-175216 | PPH SMS #10 X 1/2" SBO | 2 |
| 13 | H-52335 | Hose, 1/8" ID, Clear PVC | 1 |
| 14 | H-53933 | Hose, 1/2" ID, PVC Reinforced | 1 |
| 15 | H-62046 | CLAMP 1 9/16 - 2 1/2 " SS | 2 |
| 16 | H-70015 | HCS 1/4"- 20 X 3.0" SS | 3 |
| 17 | H-71013 | FW 1/4 ID X 5/8 OD SS | 3 |
| 18 | H-71063 | LW 1/4" SS | 3 |
| 19 | M-5288K12BL | Hose, 3/8" ID x 5/8" OD, Blue | 1 |
| 20 | M-5463K439 | .25 NPT X .125 BARB | 2 |
| 21 | M-5463K71 | Fitting, Reducer, Elbow, 1/2x3/8 | 1 |
| 22 | M-90130A029 | .25" NEOPRENE WASHER | 3 |
| 23 | T-050R6000 | DUCK BILL VALVE HOSE | 1 |

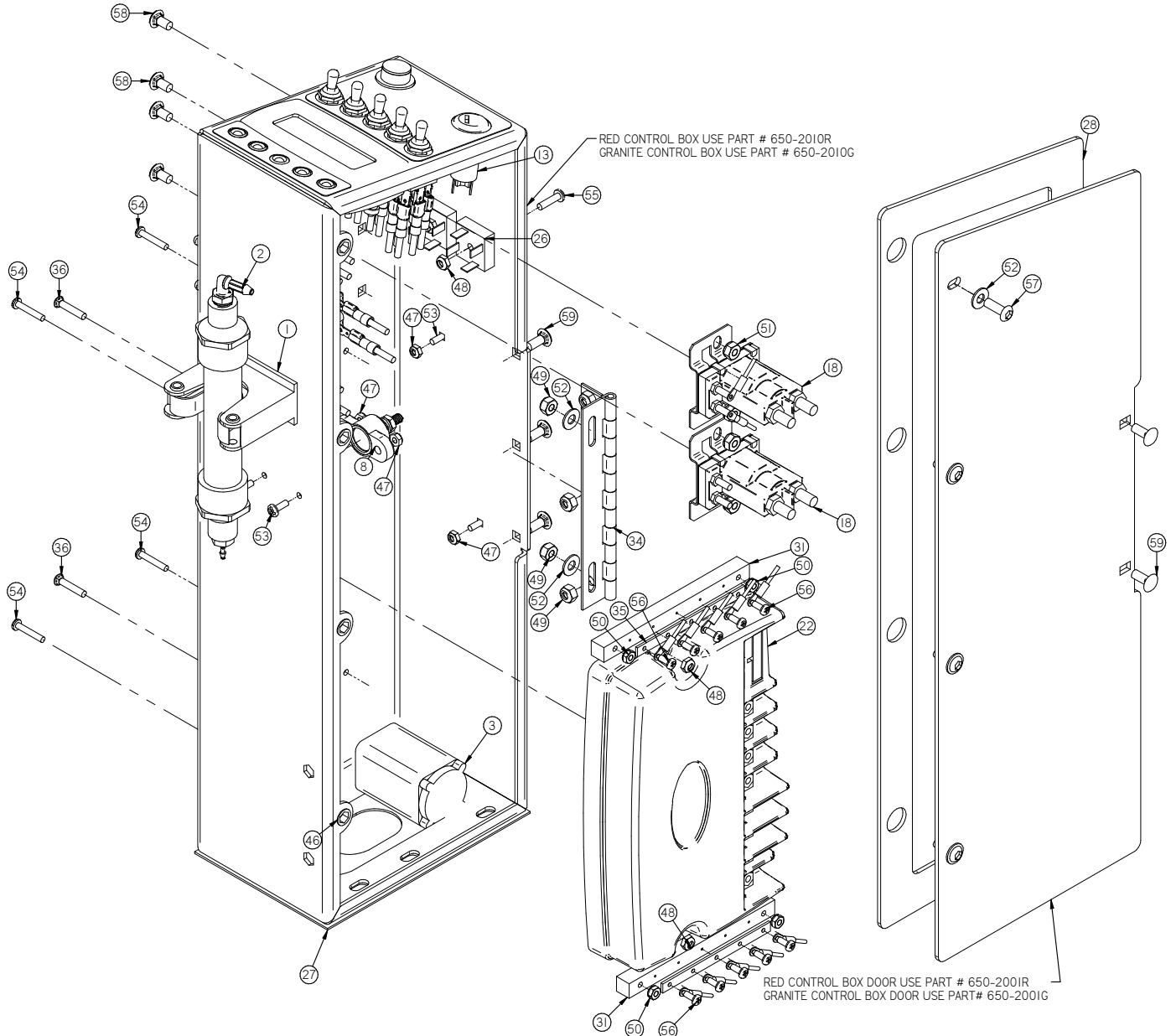
Attaching Tanks & Batteries



| Item | Part No. | Part Description | Qty. |
|------|----------|------------------------------------|------|
| 1 | 650-0103 | 1X1/2X1/4-20 (F5D) FEMALE ISOLATOR | 3 |
| 2 | 650-2440 | ON BOARD CHARGER 1200-36V | 1 |
| 3 | 650-2451 | CHARGER MOUNT | 1 |
| 4 | 650-4042 | CORD WRAP | 1 |
| 5 | 7-210 | (6) J305G BATTERIES | 1 |
| 6 | H-70860 | NYLOK 1/4"- 20 SS | 12 |
| 7 | H-74418 | CB 1/4"- 20 X 5/8" S/S | 8 |
| 8 | H-74420 | CB 1/4"- 20 X 1.0" SS | 8 |

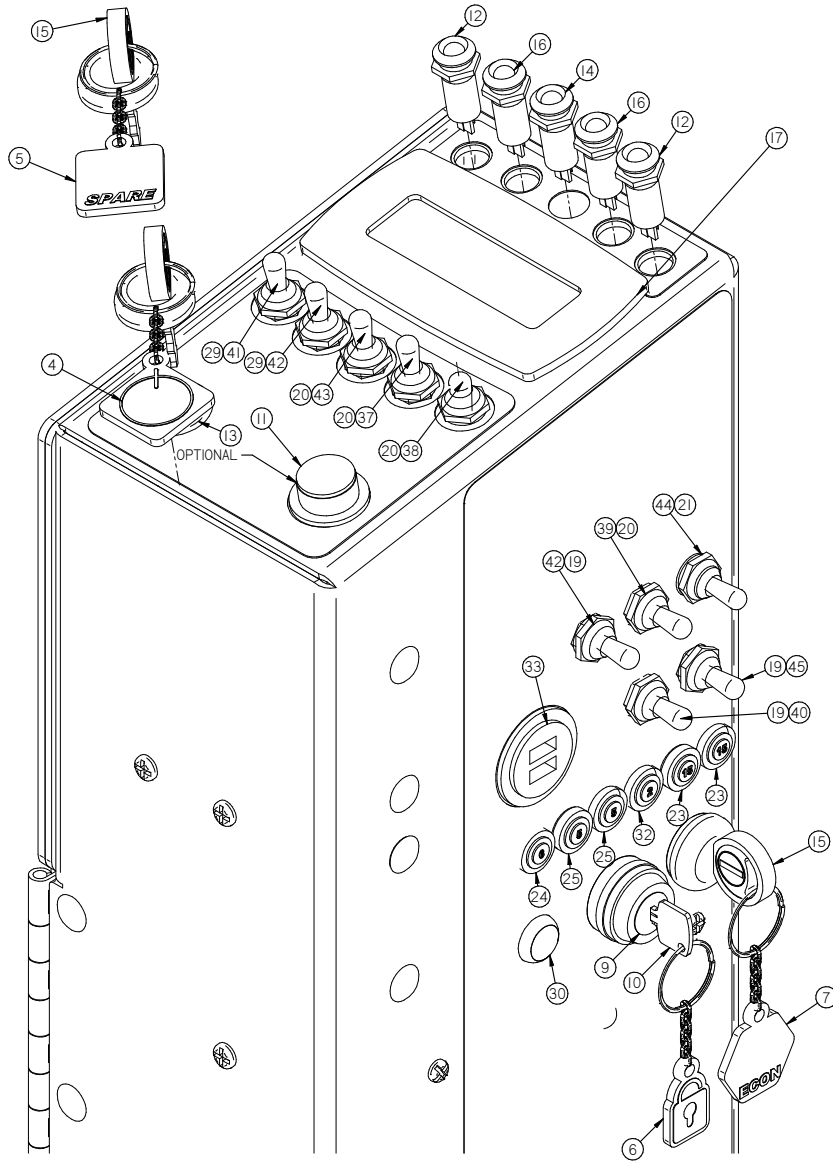
WHICH BATTERY CHARGER TO USE WITH BATTERY SELECTION

| Battery Part Number & Description | Console Charger / North America | Onboard Charger / North America / International |
|-----------------------------------|---------------------------------|---|
| 250-2113 (6V / 245AH - WET) | 250-2540 (36VDC / 25A) | 370-2460 (36VDC / 33A) |
| 370-2117 (6V / 310AH - WET) | 370-2540 (36VDC / 30A) | 370-2460 (36VDC / 33A) |
| 253-2112 (6V / 360AH - WET) | 370-2540 (36VDC / 30A) | 370-2460 (36VDC / 33A) |
| 250-2120 (6V / 250AH - AGM) | N/A | 370-2460 (36VDC / 33A) |
| 370-2120 (6V / 335AH - AGM) | N/A | 370-2460 (36VDC / 33A) |

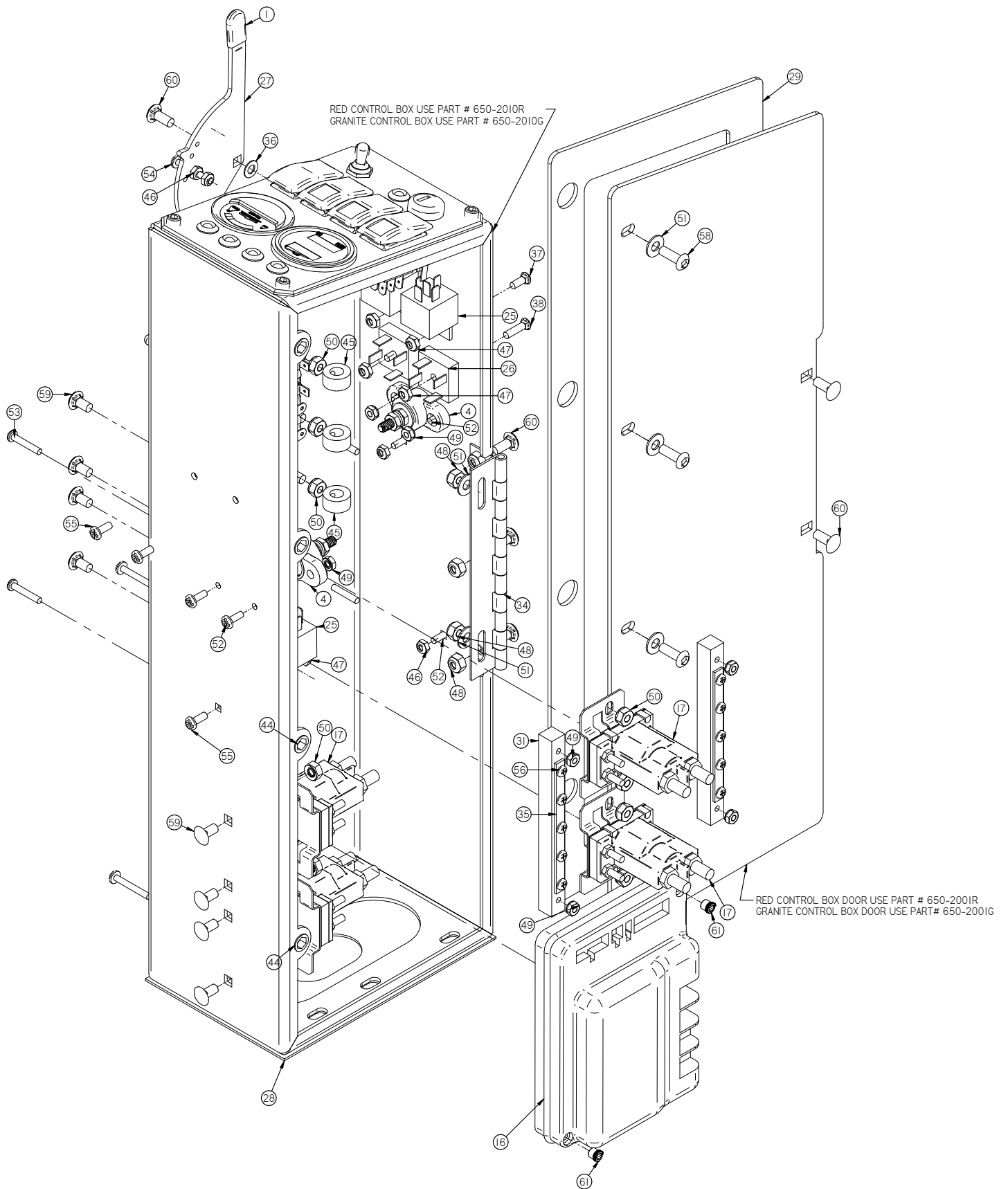


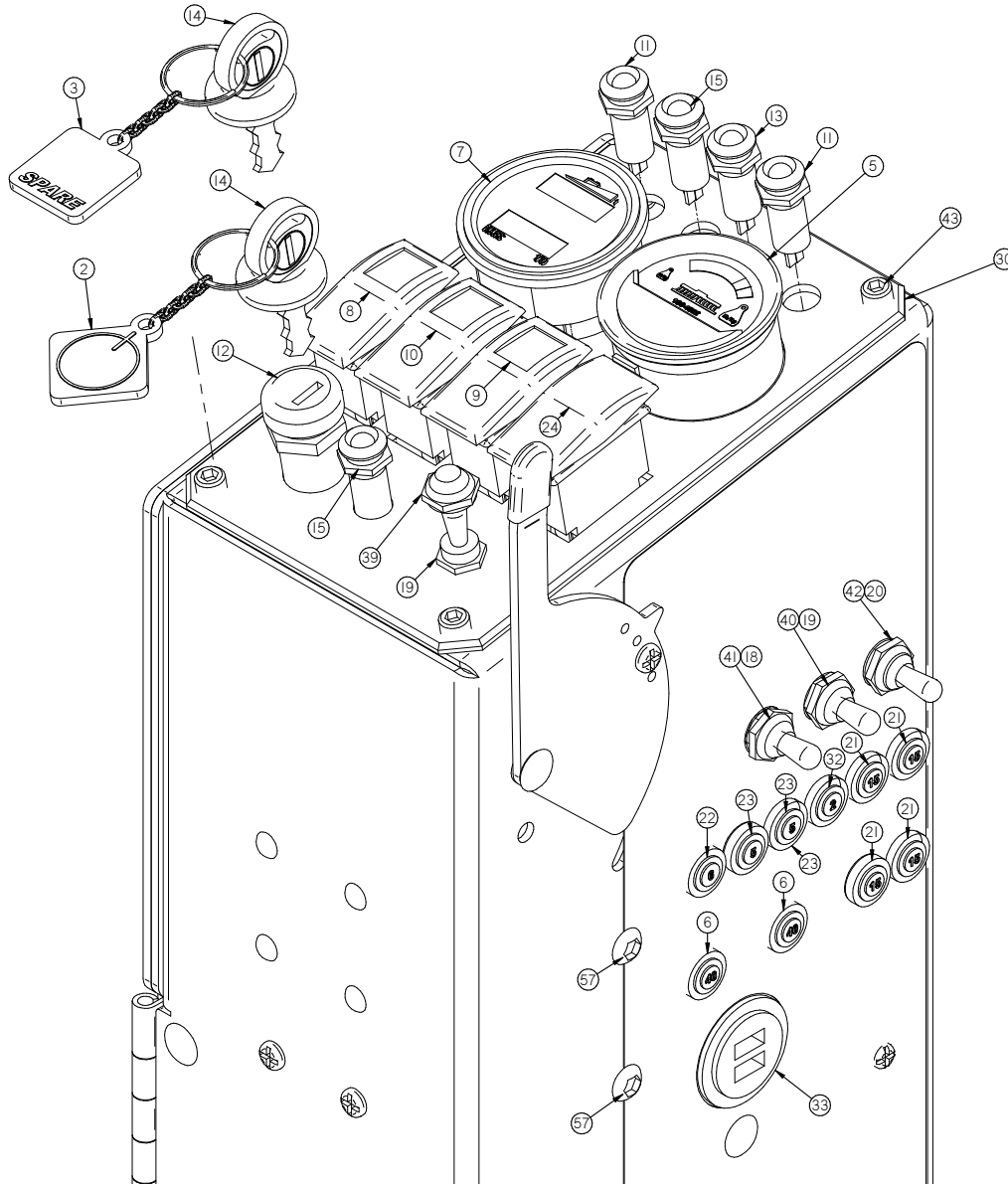
| Item | Part No. | Part Description | Qty. | Item | Part No. | Part Description | Qty. |
|------|----------|--------------------------------------|------|------|-----------|--|------|
| 1 | 123-8860 | HOSE BRACKET HOLDER | 1 | 31 | 7-287 | BUSS BAR UHMW | 2 |
| 2 | 123-9134 | AIR DRYER | 1 | 32 | 7-837 | FUSE RESETTABLE 2 AMP | 1 |
| 3 | 170-8500 | HEATER | 1 | 33 | 700-2590 | DUAL USB PORTS | 1 |
| 4 | 175-2352 | POWER KEY FOB | 1 | 34 | 8-180 | HINGE, 6-7/8" S/S | 1 |
| 5 | 175-2352 | SPARE KEY FOB | 1 | 35 | E-5HBB | 5 HOLE BUSS BAR | 2 |
| 6 | 175-2352 | MANAGER LOCK OUT KEY FOB | 1 | 36 | H-0172521 | CB #10-32 X 1" SS | 2 |
| 7 | 175-2352 | ECON KEY FOB | 1 | 37 | H-11195 | PROTECTIVE BOOT, TOGGLE SWITCH, (WHITE) | 1 |
| 8 | 175-2700 | NEG INSULATOR POST (BLACK) | 1 | 38 | H-11196 | PROTECTIVE BOOT, TOGGLE SWITCH, (RED) | 1 |
| 9 | 264-234 | LOCKOUT KEY SWITCH | 1 | 39 | H-11197 | PROTECTIVE BOOT, TOGGLE SWITCH, (YELLOW) | 1 |
| 10 | 264-234A | MANGER LOCK OUT KEY | 1 | 40 | H-11198 | PROTECTIVE BOOT, TOGGLE SWITCH, (GREEN) | 1 |
| 11 | 290-2015 | ONE TOUCH BUTTON | 1 | 41 | H-11199 | PROTECTIVE BOOT, TOGGLE SWITCH, (BLUE) | 1 |
| 12 | 290-2330 | RED LIGHT | 2 | 42 | H-11200 | PROTECTIVE BOOT, TOGGLE SWITCH, (BLACK) | 2 |
| 13 | 290-234 | KEY SWITCH (WITH KEY) | 2 | 43 | H-11201 | PROTECTIVE BOOT, TOGGLE SWITCH, (GRAY) | 1 |
| 14 | 290-2340 | GREEN LIGHT | 1 | 44 | H-11202 | PROTECTIVE BOOT, TOGGLE SWITCH, (ORANGE) | 1 |
| 15 | 290-234A | KEY SET (REPLACE) | 3 | 45 | H-11203 | PROTECTIVE BOOT, TOGGLE SWITCH, (PURPLE) | 1 |
| 16 | 290-2350 | YELLOW LIGHT | 2 | 46 | H-250HCN | HCN 1/4"-20 | 4 |
| 17 | 290-2891 | LCD SCREEN | 1 | 47 | H-70856 | NYLON #8-32 SS | 4 |
| 18 | 370-2331 | RELAY, 36V, SMALL W/FLAT MTG PLATE | 2 | 48 | H-70858 | NYLON #10-32 SS | 6 |
| 19 | 370-2831 | SWITCH, TOGGLE, ON/OFF/ON (DPDT) | 3 | 49 | H-70860 | NYLON 1/4" - 20 SS | 5 |
| 20 | 370-8210 | SWITCH, TOGGLE, ON/ON (DPDT) | 4 | 50 | H-70922 | KN #8-32 | 4 |
| 21 | 370-8920 | TOGGLE, ON-OFF SPST | 1 | 51 | H-70925 | KN 1/4-20 S/S | 4 |
| 22 | 390-2899 | CONTROLLER V4 | 1 | 52 | H-71013 | FW 1/4 ID X 5/8 OD SS | 6 |
| 23 | 390-9615 | FUSE, RESETTABLE, 15 AMP, 50V DC MAX | 2 | 53 | H-72398 | PPH #8-32 X 1/2" S/S | 4 |
| 24 | 4-284 | FUSE, RESETTABLE, 6 AMP, 50V DC MAX | 1 | 54 | H-72418 | PPH #8-32 X 1" S/S | 4 |
| 25 | 4-960 | FUSE, RESETTABLE, 5 AMP, 50V DC MAX | 2 | 55 | H-72534 | PPH #10-32 X 3/4" S/S | 2 |
| 26 | 5-296 | DIODE BRIDGE | 2 | 56 | H-72914 | PPH SMS #8 X 1/2" | 10 |
| 27 | 650-2004 | CENTRAL COMMAND DUST CURTAIN | 1 | 57 | H-73754 | BHSCS 1/4 - 20 X 3/4" SS | 4 |
| 28 | 650-2005 | ACCESS COVER GASKET | 1 | 58 | H-74417 | CB 1/4" - 20 X 5" SS | 4 |
| 29 | 650-2830 | SWITCH, TOGGLE, MOM/OFF/MOM (DPDT) | 2 | 59 | H-74418 | CB 1/4" - 20 X 5/8" S/S | 5 |
| 30 | 7-229D | PUSH BUTTON SWITCH | 1 | | | | |

Legacy Central Command

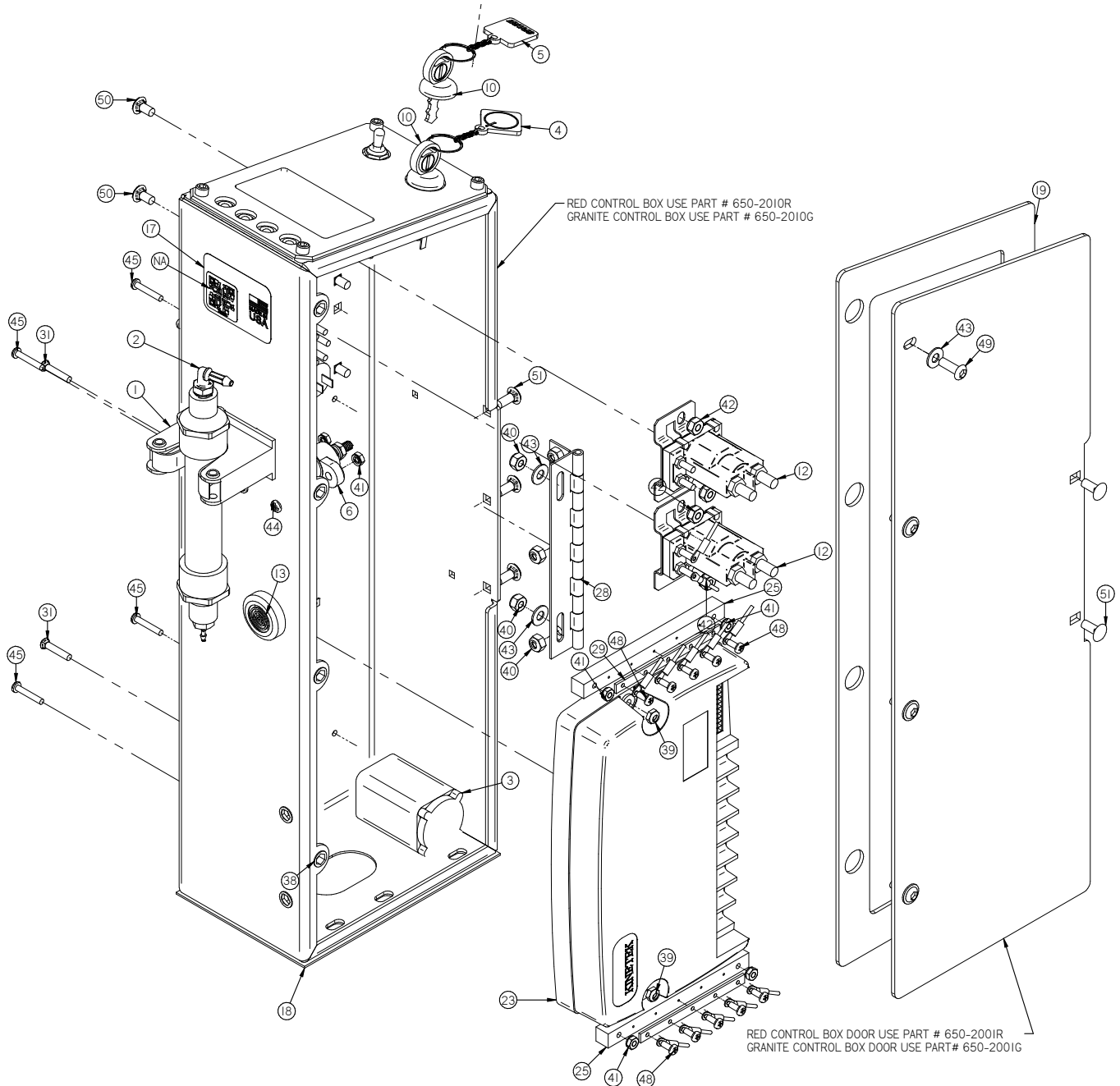


| Item | Part No. | Part Description | Qty. | Item | Part No. | Part Description | Qty. |
|------|----------|--------------------------------------|------|------|-----------|--|------|
| 1 | 123-8860 | HOSE BRACKET HOLDER | 1 | 31 | 7-287 | BUSS BAR UHMW | 2 |
| 2 | 123-9134 | AIR DRYER | 1 | 32 | 7-837 | FUSE RESETTABLE, 2 AMP | 1 |
| 3 | 170-8500 | HEATER | 1 | 33 | 700-2590 | DUAL USB PORTS | 1 |
| 4 | 175-2352 | POWER KEY FOB | 1 | 34 | 8-180 | HINGE, 6-7/8" S/S | 1 |
| 5 | 175-2352 | SPARE KEY FOB | 1 | 35 | E-5HBB | 5 HOLE BUSS BAR | 2 |
| 6 | 175-2352 | MANAGER LOCK OUT KEY FOB | 1 | 36 | H-0172521 | CB #10-32 X 1" SS | 2 |
| 7 | 175-2352 | ECON KEY FOB | 1 | 37 | H-11195 | PROTECTIVE BOOT, TOGGLE SWITCH, (WHITE) | 1 |
| 8 | 175-2700 | NEG INSULATOR POST (BLACK) | 1 | 38 | H-11196 | PROTECTIVE BOOT, TOGGLE SWITCH, (RED) | 1 |
| 9 | 264-234 | LOCKOUT KEY SWITCH | 1 | 39 | H-11197 | PROTECTIVE BOOT, TOGGLE SWITCH, (YELLOW) | 1 |
| 10 | 264-234A | MANAGER LOCK OUT KEY | 1 | 40 | H-11198 | PROTECTIVE BOOT, TOGGLE SWITCH, (GREEN) | 1 |
| 11 | 290-2015 | ONE TOUCH BUTTON | 1 | 41 | H-11199 | PROTECTIVE BOOT, TOGGLE SWITCH, (BLUE) | 1 |
| 12 | 290-2330 | RED LIGHT | 2 | 42 | H-11200 | PROTECTIVE BOOT, TOGGLE SWITCH, (BLACK) | 2 |
| 13 | 290-234 | KEY SWITCH (WITH KEY) | 2 | 43 | H-11201 | PROTECTIVE BOOT, TOGGLE SWITCH, (GRAY) | 1 |
| 14 | 290-2340 | GREEN LIGHT | 1 | 44 | H-11202 | PROTECTIVE BOOT, TOGGLE SWITCH, (ORANGE) | 1 |
| 15 | 290-234A | KEY SET (REPLACE) | 3 | 45 | H-11203 | PROTECTIVE BOOT, TOGGLE SWITCH, (PURPLE) | 1 |
| 16 | 290-2350 | YELLOW LIGHT | 2 | 46 | H-250HCN | HCN 1/4"-20 | 4 |
| 17 | 290-2891 | LCD SCREEN | 1 | 47 | H-70856 | NYLOK #8-32 SS | 4 |
| 18 | 370-2331 | RELAY, 36V, SMALL W/FLAT MTG PLATE | 2 | 48 | H-70858 | NYLOK #10-32 SS | 6 |
| 19 | 370-2831 | SWITCH, TOGGLE, ON/OFF/ON (DPDT) | 3 | 49 | H-70860 | NYLOK 1/4"- 20 SS | 5 |
| 20 | 370-8210 | SWITCH, TOGGLE, ON/ON (DPDT) | 4 | 50 | H-70922 | KN #8-32 | 4 |
| 21 | 370-8920 | TOGGLE, ON-OFF SPST | 1 | 51 | H-70925 | KN 1/4"-20 S/S | 4 |
| 22 | 390-2899 | CONTROLLER V4 | 1 | 52 | H-71013 | FW 1/4 ID X 5/8 OD SS | 6 |
| 23 | 390-9615 | FUSE, RESETTABLE, 15 AMP, 50V DC MAX | 2 | 53 | H-72398 | PPH #8-32 X 1/2" S/S | 4 |
| 24 | 4-284 | FUSE, RESETTABLE, 6 AMP, 50V DC MAX | 1 | 54 | H-72418 | PPH #8-32 X 1" S/S | 4 |
| 25 | 4-960 | FUSE, RESETTABLE, 5 AMP, 50V DC MAX | 2 | 55 | H-72534 | PPH #10-32 X 3/4" S/S | 2 |
| 26 | 5-296 | DIODE BRIDGE | 2 | 56 | H-72914 | PPH SMS #8 X 1/2" | 10 |
| 27 | 650-2004 | CENTRAL COMMAND DUST CURTAIN | 1 | 57 | H-73754 | BHSCS 1/4 - 20 X 3/4" SS | 4 |
| 28 | 650-2005 | ACCESS COVER GASKET | 1 | 58 | H-74417 | CB 1/4"- 20 X .5" SS | 4 |
| 29 | 650-2830 | SWITCH, TOGGLE, MOM/OFF/MOM (DPDT) | 2 | 59 | H-74418 | CB 1/4"- 20 X 5/8" S/S | 5 |
| 30 | 7-229D | PUSH BUTTON SWITCH | 1 | | | | |



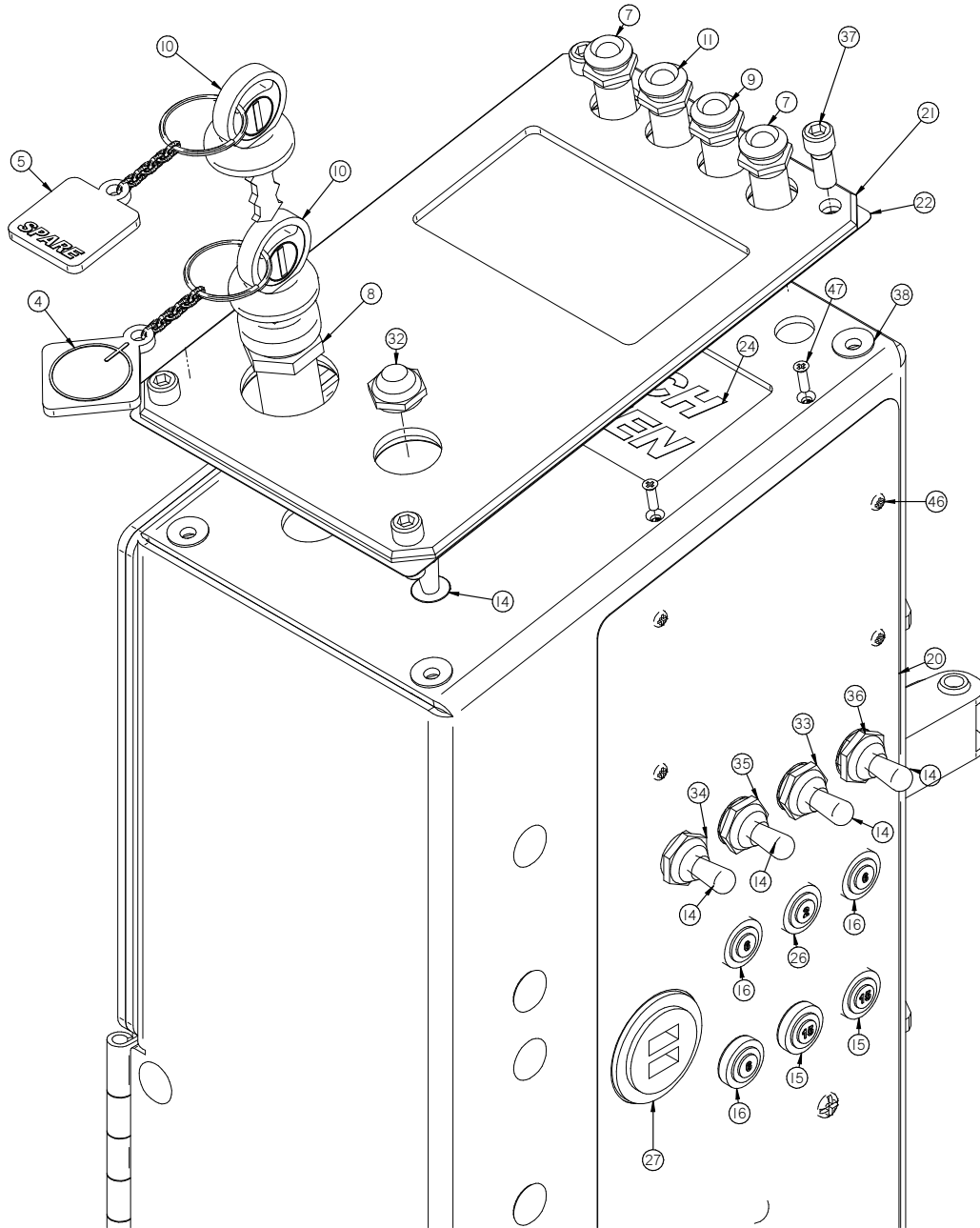


| Item | Part No. | Part Description | Qty. | Item | Part No. | Part Description | Qty. |
|------|-----------|--------------------------------------|------|------|-------------|--|------|
| 1 | 150-4480 | HANDLE GRIP (BLUE) | 1 | 34 | 8-180 | HINGE, 6-7/8" S/S | 1 |
| 2 | 175-2352 | POWER KEY FOB | 1 | 35 | E-5H8B | 5 HOLE BUSS BAR | 2 |
| 3 | 175-2352 | SPARE KEY FOB | 1 | 36 | H-00282 | FW 1/4" NYLON | 1 |
| 4 | 175-2700 | NEG INSULATOR POST (BLACK) | 2 | 37 | H-0172518 | CB #10-32 X 1/2" SS | 2 |
| 5 | 190-4852 | BRUSH PRESSURE GAUGE, 40 AMP | 1 | 38 | H-0172520 | CB #10-32 X 3/4" SS | 2 |
| 6 | 190-9609 | FUSE, RESETTABLE, 40 AMP | 2 | 39 | H-11196 | PROTECTIVE BOOT, TOGGLE SWITCH, (RED) | 1 |
| 7 | 200-4855 | 36V BATTERY AND HOUR METER | 1 | 40 | H-11197 | PROTECTIVE BOOT, TOGGLE SWITCH, (YELLOW) | 1 |
| 8 | 260-2350A | SWITCH, ROCKER, DPDT, ON/ON AMBER | 1 | 41 | H-11200 | PROTECTIVE BOOT, TOGGLE SWITCH, (BLACK) | 1 |
| 9 | 260-2351A | SWITCH, ROCKER, DPDT, ON/ON GREEN | 1 | 42 | H-11202 | PROTECTIVE BOOT, TOGGLE SWITCH, (ORANGE) | 1 |
| 10 | 260-2352A | SWITCH, ROCKER, DPDT, ON/ON BLUE | 1 | 43 | H-1123202 | SHCS 1/4"-20 X 5/8" BLACK OXIDE | 4 |
| 11 | 290-2330 | RED LIGHT | 2 | 44 | H-250HCN | HCN 1/4"-20 | 8 |
| 12 | 290-234 | KEY SWITCH (WITH KEY) | 1 | 45 | H-33372 | SHAFT COLLAR, 3/8" ID | 3 |
| 13 | 290-2340 | GREEN LIGHT | 1 | 46 | H-70856 | NYLOK #8-32 SS | 4 |
| 14 | 290-234A | KEY SET (REPLACE) | 2 | 47 | H-70858 | NYLOK #10-32 SS | 7 |
| 15 | 290-2350 | YELLOW LIGHT | 2 | 48 | H-70860 | NYLOK 1/4"- 20 SS | 6 |
| 16 | 349-2899 | IDRIVE 24V 140 AMP CONTROLLER | 1 | 49 | H-70922 | KN #8-32 | 8 |
| 17 | 370-2331 | RELAY, 36V, SMALL W/FLAT MTG PLATE | 4 | 50 | H-70925 | KN 1/4-20 S/S | 11 |
| 18 | 370-2831 | SWITCH, TOGGLE, ON/OFF (ON DPDT) | 1 | 51 | H-71013 | FW 1/4 ID X 5/8 OD SS | 6 |
| 19 | 370-8210 | SWITCH, TOGGLE, ON/ON (DPDT) | 2 | 52 | H-72398 | PPH #8-32 X 1/2" S/S | 6 |
| 20 | 370-8920 | TOGGLE, ON-OFF SPST | 1 | 53 | H-72418 | PPH #8-32 X 1" S/S | 4 |
| 21 | 390-9615 | FUSE, RESETTABLE, 15 AMP, 50V DC MAX | 6 | 54 | H-72419 | PPH #8-32 X 1-1/4" S/S | 3 |
| 22 | 4-284 | FUSE, RESETTABLE, 6 AMP, 50V DC MAX | 1 | 55 | H-72515 | PPH #10-32 X 1/2" S/S | 3 |
| 23 | 4-960 | FUSE, RESETTABLE, 5 AMP, 50V DC MAX | 2 | 56 | H-72914 | PPH SMS #8 X 1/2" | 10 |
| 24 | 5-234 | SWITCH, ROCKER, DPDT, ON/ON | 1 | 57 | H-73753 | BHSCS 1/4 - 20 X 5/8" SS | 3 |
| 25 | 5-293 | 15 AMP RELAY | 3 | 58 | H-73754 | BHSCS 1/4 - 20 X 3/4" SS | 4 |
| 26 | 5-296 | DIODE BRIDGE | 2 | 59 | H-74417 | CB 1/4"- 20 X .5" SS | 8 |
| 27 | 500-2003 | VALVE LEVER | 1 | 60 | H-74418 | CB 1/4"- 20 X 5/8" S/S | 6 |
| 28 | 650-2004 | CENTRAL COMMAND DUST CURTAIN | 1 | 61 | M-92066A009 | SCKT HEAD NUT #8-32,par | 2 |
| 29 | 650-2005 | ACCESS COVER GASKET | 1 | | | | |
| 30 | 650-2022 | CENTRAL COMMAND TOP | 1 | | | | |
| 31 | 7-287 | BUSS BAR UHMW | 2 | | | | |
| 32 | 7-837 | FUSE RESETTABLE 2 AMP | 1 | | | | |
| 33 | 700-2590 | DUAL USB PORTS | 1 | | | | |

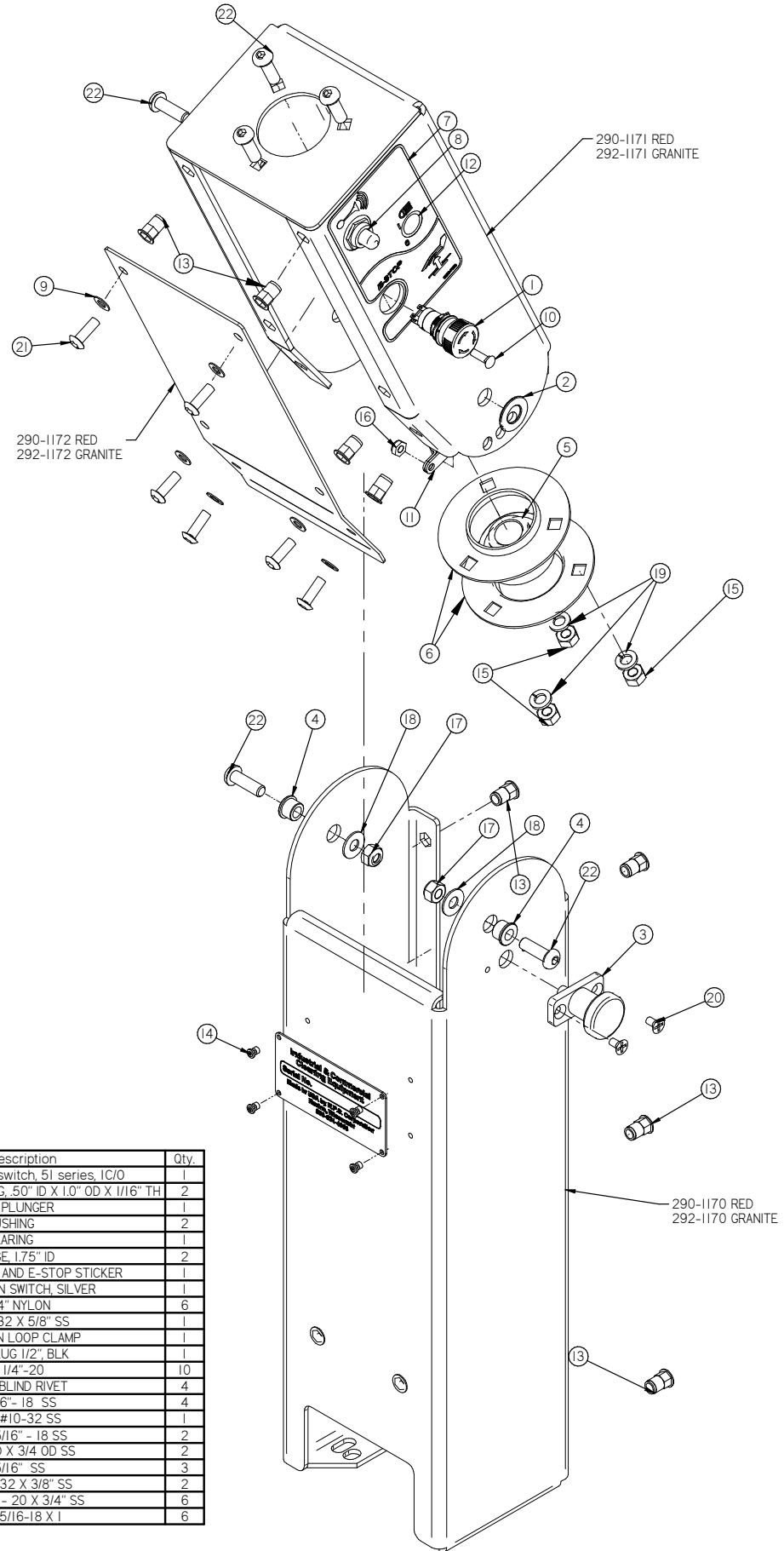


| Item | Part No. | Part Description | Qty. | Item | Part No. | Part Description | Qty. |
|------|----------|--------------------------------------|------|------|-----------|--|------|
| 1 | 123-8860 | HOSE BRACKET HOLDER | 1 | 27 | 700-2590 | DUAL USB PORTS | 1 |
| 2 | 123-9134 | AIR DRYER | 1 | 28 | 8-180 | HINGE, 6-7/8" S/S | 1 |
| 3 | 170-8500 | HEATER | 1 | 29 | E-5HBB | 5 HOLE BUSS BAR | 2 |
| 4 | 175-2352 | POWER KEY FOB | 1 | 30* | H-0172518 | CB #10-32 X 1/2" SS | 2 |
| 5 | 175-2352 | SPARE KEY FOB | 1 | 31 | H-0172521 | CB #10-32 X 1" SS | 2 |
| 6 | 175-2700 | NEG INSULATOR POST (BLACK) | 1 | 32 | H-11196 | PROTECTIVE BOOT, TOGGLE SWITCH, (RED) | 1 |
| 7 | 290-2330 | RED LIGHT | 2 | 33 | H-11198 | PROTECTIVE BOOT, TOGGLE SWITCH, (GREEN) | 1 |
| 8 | 290-234 | KEY SWITCH (WITH KEY) | 1 | 34 | H-11200 | PROTECTIVE BOOT, TOGGLE SWITCH, (BLACK) | 1 |
| 9 | 290-2340 | GREEN LIGHT | 1 | 35 | H-11202 | PROTECTIVE BOOT, TOGGLE SWITCH, (ORANGE) | 1 |
| 10 | 290-234A | KEY SET (REPLACE) | 2 | 36 | H-11203 | PROTECTIVE BOOT, TOGGLE SWITCH, (PURPLE) | 1 |
| 11 | 290-2350 | YELLOW LIGHT | 1 | 37 | H-1123202 | SHCS 1/4-20 X 5/8 BLACK OXIDE | 4 |
| 12 | 370-2331 | RELAY, 36V, SMALL, W/FLAT MTG PLATE | 2 | 38 | H-250HCN | HCN 1/4"-20 | 10 |
| 13 | 370-2930 | ALARM (91 dPa) | 1 | 39 | H-70858 | NYLOK #10-32 SS | 4 |
| 14 | 370-8210 | SWITCH, TOGGLE, ON/ON (DPDT) | 5 | 40 | H-70860 | NYLOK 1/4"-20 SS | 5 |
| 15 | 390-9615 | FUSE, RESETTABLE, 15 AMP, 50V DC MAX | 2 | 41 | H-70922 | KN #8-32 | 6 |
| 16 | 4-284 | FUSE, RESETTABLE, 6 AMP, 50V DC MAX | 3 | 42 | H-70925 | KN 1/4-20 S/S | 4 |
| 17 | 505-1500 | METER STICKER | 1 | 43 | H-71013 | FW 1/4 ID X 5/8 OD SS | 6 |
| 18 | 650-2004 | CENTRAL COMMAND DUST CURTAIN | 1 | 44 | H-72398 | PPH #8-32 X 1/2" S/S | 2 |
| 19 | 650-2005 | ACCESS COVER GASKET | 1 | 45 | H-72418 | PPH #8-32 X 1" S/S | 4 |
| 20 | 650-2019 | CONTROL PANEL STICKER, FRONT | 1 | 46 | H-72486 | PPH #4-40 X 1/2" S/S | 4 |
| 21 | 650-2023 | TOUCH SCREEN CC TOP | 1 | 47 | H-72636 | FHP #4-40 X .375 SS | 4 |
| 22 | 650-2024 | TOUCH SCREEN PROTECTOR | 1 | 48 | H-72914 | PPH SMS #8 X 1/2" | 10 |
| 23 | 650-2890 | KINETECK TOUCH SCREEN CONTROLLER | 1 | 49 | H-73754 | BHSCS 1/4 - 20 X 3/4" SS | 4 |
| 24 | 650-2891 | 4 INCH TOUCH SCREEN | 1 | 50 | H-74417 | CB 1/4"- 20 X 5" SS | 4 |
| 25 | 7-287 | BUSS BAR UHMW | 2 | 51 | H-74418 | CB 1/4"- 20 X 5/8" S/S | 5 |
| 26 | 7-837 | FUSE RESETTABLE, 2 AMP | 1 | | | | |

Touch Central Command

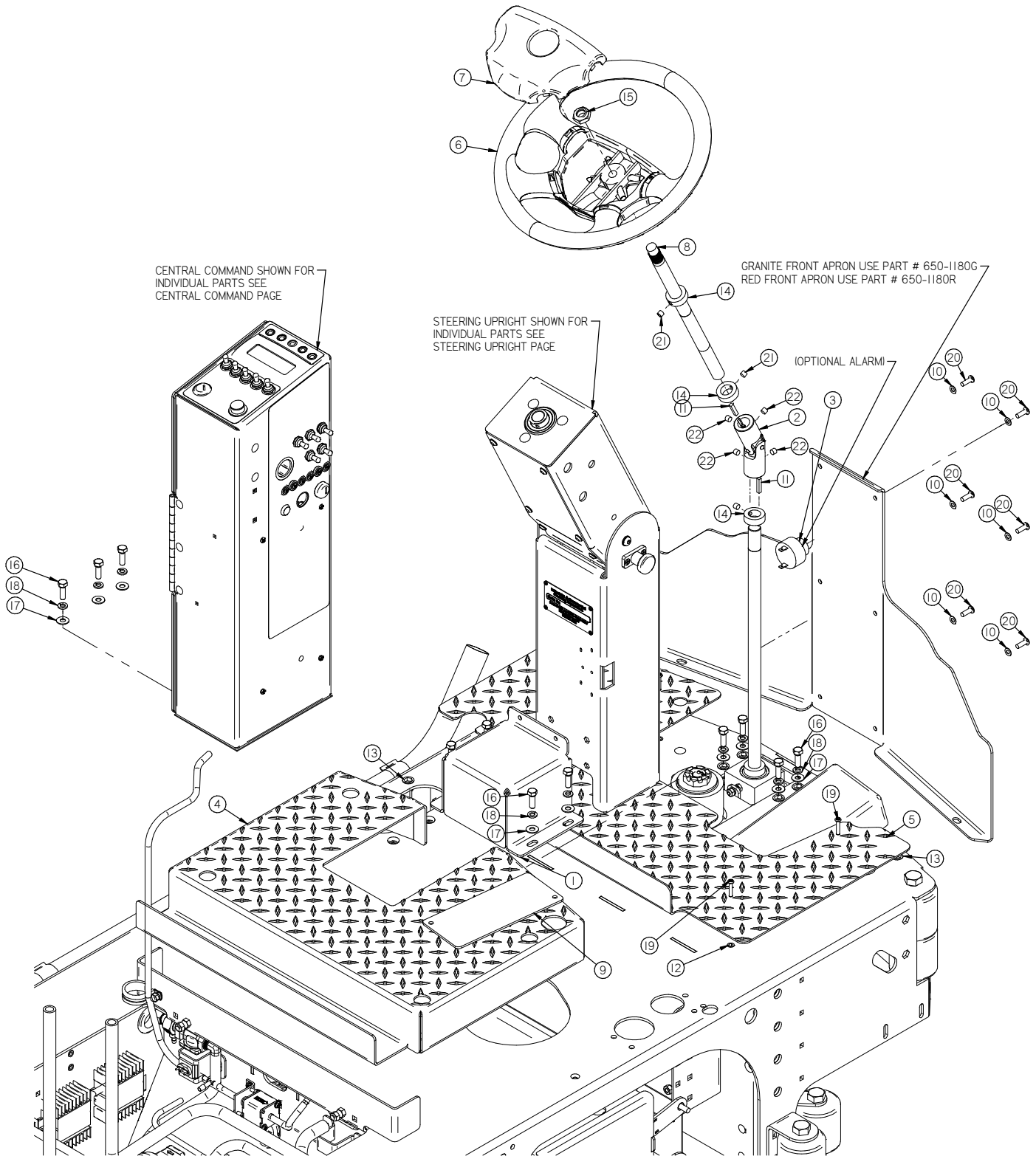


| Item | Part No. | Part Description | Qty. | Item | Part No. | Part Description | Qty. |
|------|----------|--------------------------------------|------|------|-----------|--|------|
| 1 | 123-8860 | HOSE BRACKET HOLDER | 1 | 27 | 700-2590 | DUAL USB PORTS | 1 |
| 2 | 123-9134 | AIR DRYER | 1 | 28 | 8-180 | HINGE, 6-7/8" S/S | 1 |
| 3 | 170-8500 | HEATER | 1 | 29 | E-5HBB | 5 HOLE BUSS BAR | 2 |
| 4 | 175-2352 | POWER KEY FOB | 1 | 30* | H-0172518 | CB #10-32 X 1/2" SS | 2 |
| 5 | 175-2352 | SPARE KEY FOB | 1 | 31 | H-0172521 | CB #10-32 X 1" SS | 2 |
| 6 | 175-2700 | NEG INSULATOR POST (BLACK) | 1 | 32 | H-11196 | PROTECTIVE BOOT, TOGGLE SWITCH, (RED) | 1 |
| 7 | 290-2330 | RED LIGHT | 2 | 33 | H-11198 | PROTECTIVE BOOT, TOGGLE SWITCH, (GREEN) | 1 |
| 8 | 290-234 | KEY SWITCH (WITH KEY) | 1 | 34 | H-11200 | PROTECTIVE BOOT, TOGGLE SWITCH, (BLACK) | 1 |
| 9 | 290-2340 | GREEN LIGHT | 1 | 35 | H-11202 | PROTECTIVE BOOT, TOGGLE SWITCH, (ORANGE) | 1 |
| 10 | 290-234A | KEY SET (REPLACE) | 2 | 36 | H-11203 | PROTECTIVE BOOT, TOGGLE SWITCH, (PURPLE) | 1 |
| 11 | 290-2350 | YELLOW LIGHT | 1 | 37 | H-1123202 | SHCS 1/4-20 X 5/8 BLACK OXIDE | 4 |
| 12 | 370-2331 | RELAY, 36V, SMALL, W/FLAT MTG PLATE | 2 | 38 | H-250HCN | HCN 1/4"-20 | 10 |
| 13 | 370-2930 | ALARM (91 dPa) | 1 | 39 | H-70858 | NYLOK #10-32 SS | 4 |
| 14 | 370-8210 | SWITCH, TOGGLE, ON/ON (DPDT) | 5 | 40 | H-70860 | NYLOK 1/4"- 20 SS | 5 |
| 15 | 390-9615 | FUSE, RESETTABLE, 15 AMP, 50V DC MAX | 2 | 41 | H-70922 | KN #8-32 | 6 |
| 16 | 4-284 | FUSE, RESETTABLE, 6 AMP, 50V DC MAX | 3 | 42 | H-70925 | KN 1/4-20 S/S | 4 |
| 17 | 505-1500 | METER STICKER | 1 | 43 | H-71013 | FW 1/4 ID X 5/8 OD SS | 6 |
| 18 | 650-2004 | CENTRAL COMMAND DUST CURTAIN | 1 | 44 | H-72398 | PPH #8-32 X 1/2" S/S | 2 |
| 19 | 650-2005 | ACCESS COVER GASKET | 1 | 45 | H-72418 | PPH #8-32 X 1" S/S | 4 |
| 20 | 650-2019 | CONTROL PANEL STICKER, FRONT | 1 | 46 | H-72486 | PPH #4-40 X 1/2" S/S | 4 |
| 21 | 650-2023 | TOUCH SCREEN CC TOP | 1 | 47 | H-72636 | FHP #4-40 X .375 SS | 4 |
| 22 | 650-2024 | TOUCH SCREEN PROTECTOR | 1 | 48 | H-72914 | PPH SMS #8 X 1/2" | 10 |
| 23 | 650-2890 | KINETECK TOUCH SCREEN CONTROLLER | 1 | 49 | H-73754 | BHSCS 1/4 - 20 X 3/4" SS | 4 |
| 24 | 650-2891 | 4 INCH TOUCH SCREEN | 1 | 50 | H-74417 | CB 1/4"- 20 X 5" SS | 4 |
| 25 | 7-287 | BUSS BAR UHMW | 2 | 51 | H-74418 | CB 1/4"- 20 X 5/8" S/S | 5 |
| 26 | 7-837 | FUSE RESETTABLE 2 AMP | 1 | | | | |

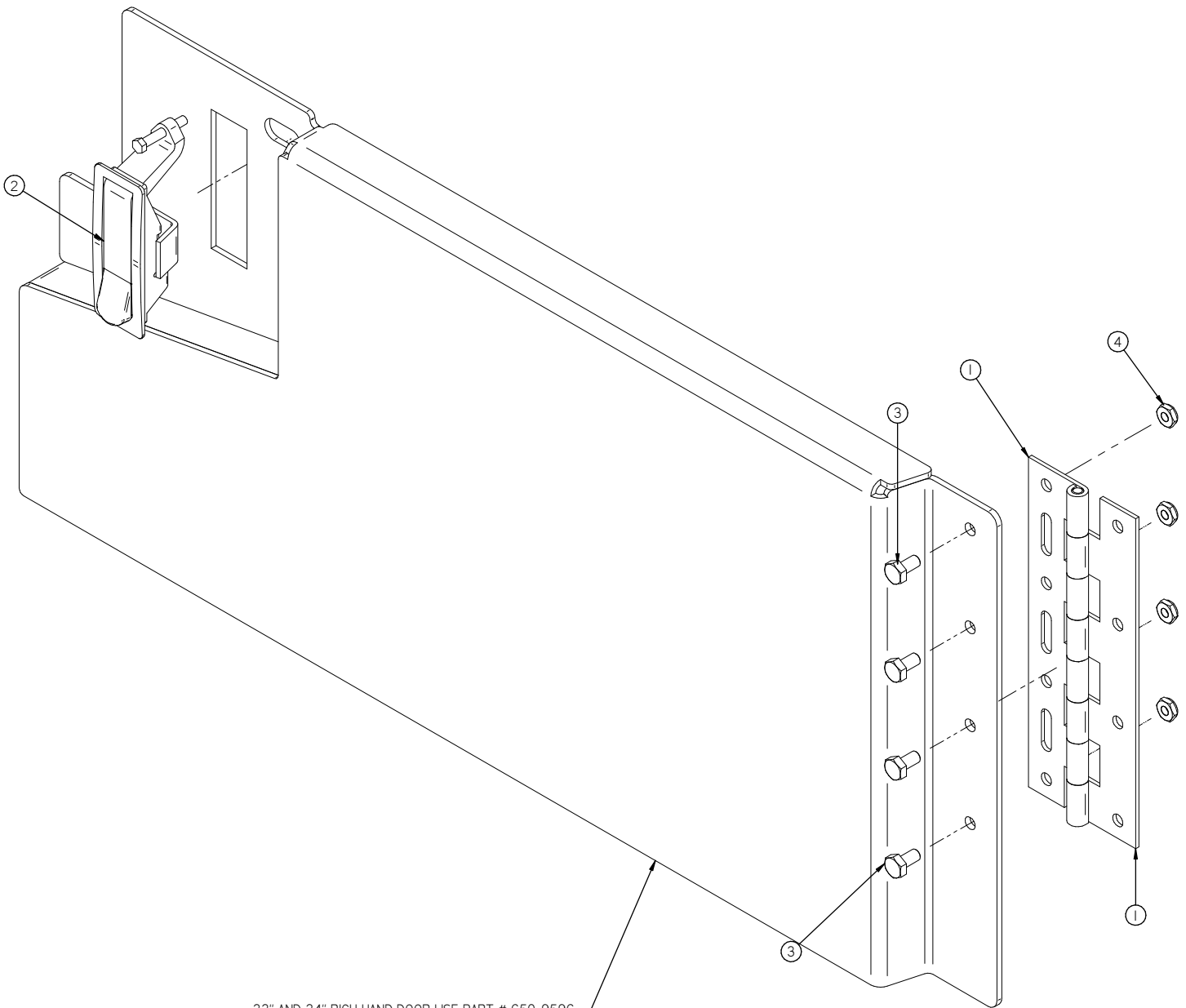


| Item | Part No. | Part Description | Qty. |
|------|-----------|---|------|
| 1 | 175-0300 | Emergency stop switch, 51 series, IC/O | 1 |
| 2 | 290-1247 | BRONZE THRUST BEARING, .50" ID X 1.0" OD X 1/16" TH | 2 |
| 3 | 290-7050 | INDEX PLUNGER | 1 |
| 4 | 370-1245 | BUSHING | 2 |
| 5 | 4-352 | BEARING | 1 |
| 6 | 4-364A | FLANGE, 1.75" ID | 2 |
| 7 | 600-1503 | HORN HEAD LIGHT AND E-STOP STICKER | 1 |
| 8 | 8-294B | PUSH BUTTON SWITCH, SILVER | 1 |
| 9 | H-00282 | FW 1/4" NYLON | 6 |
| 10 | H-0172519 | CB #10-32 X 5/8" SS | 1 |
| 11 | H-02239 | 3/8" NYLON LOOP CLAMP | 1 |
| 12 | H-0708887 | HOME PLUG 1/2", BLK | 1 |
| 13 | H-250HCN | HCN 1/4"-20 | 10 |
| 14 | H-41007 | AB4-3A BLIND RIVET | 4 |
| 15 | H-70711 | HN 5/16" - 18 SS | 4 |
| 16 | H-70858 | NYLOK #10-32 SS | 1 |
| 17 | H-70861 | NYLOK 5/16" - 18 SS | 2 |
| 18 | H-71015 | FW 5/16 ID X 3/4 OD SS | 2 |
| 19 | H-71065 | LW 5/16" SS | 3 |
| 20 | H-72681 | FHP #10-32 X 3/8" SS | 2 |
| 21 | H-73754 | BHSCS 1/4 - 20 X 3/4" SS | 6 |
| 22 | H-73780 | BHSCS 5/16-18 X 1 | 6 |

Attaching Steering Column & Central Command



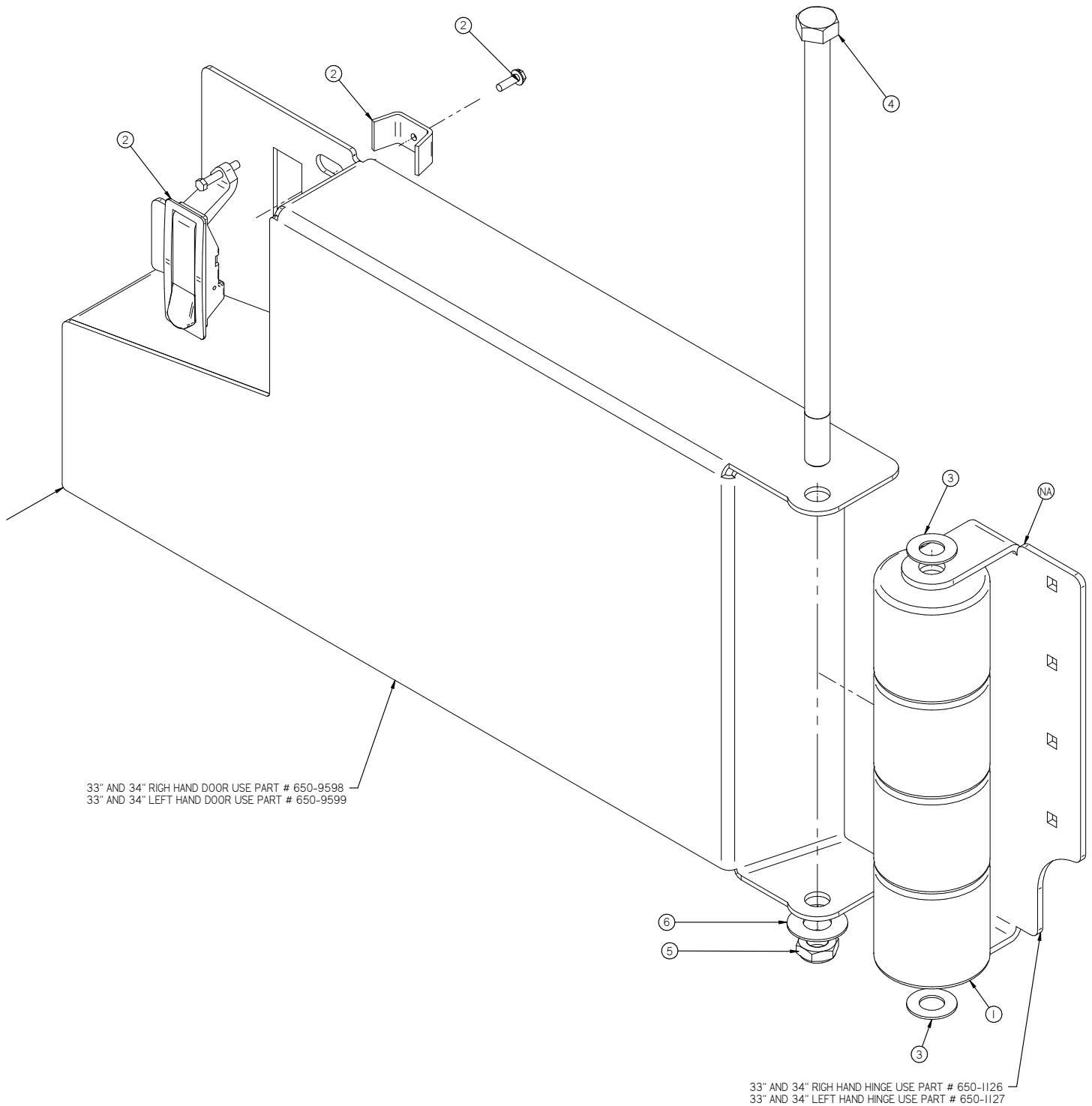
| Item | Part No. | Part Description | Qty. | Item | Part No. | Part Description | Qty. |
|------|----------|-----------------------------|------|------|-----------|---------------------------------|------|
| 1 | 250-1173 | DRIVE COVER | 1 | 12 | H-1032HCN | HCN #10-32 | 6 |
| 2 | 290-7110 | U-JOINT | 1 | 13 | H-312HCN | HCN 5/16"-18 | 12 |
| 3 | 370-2930 | ALARM (91 dPa) | 1 | 14 | H-33376 | SHAFT COLLAR, 3/4" ID X 9/16 LG | 3 |
| 4 | 650-1610 | RAISED FLOOR | 1 | 15 | H-37038 | JNYL 5/8"- 11 | 1 |
| 5 | 650-1614 | GTR XL NON SKID FLOOR PLATE | 1 | 16 | H-70055 | HCS 5/16"- 18 X 1" SS | 11 |
| 6 | 650-7030 | STEERING WHEEL | 1 | 17 | H-71015 | FW 5/16 ID X 3/4 OD SS | 11 |
| 7 | 650-7031 | STEERING WHEEL COVER | 1 | 18 | H-71065 | LW 5/16" SS | 11 |
| 8 | 650-7090 | STEERING SHAFT, UPPER | 1 | 19 | H-72536 | PPH #10-32 X 1" S/S | 4 |
| 9 | 700-0290 | FOOT PEDAL SPACER | 1 | 20 | H-73754 | BHSCS 1/4 - 20 X 3/4" SS | 6 |
| 10 | H-00282 | FW 1/4" NYLON | 6 | 21 | H-81983 | 5/16"-18 X 1/4" KURL SET SCREW | 3 |
| 11 | H-01125 | 3/16" X 1" KEY | 2 | 22 | H-82022 | 5/16-24" X 1/4" KURL SET SCREW | 4 |



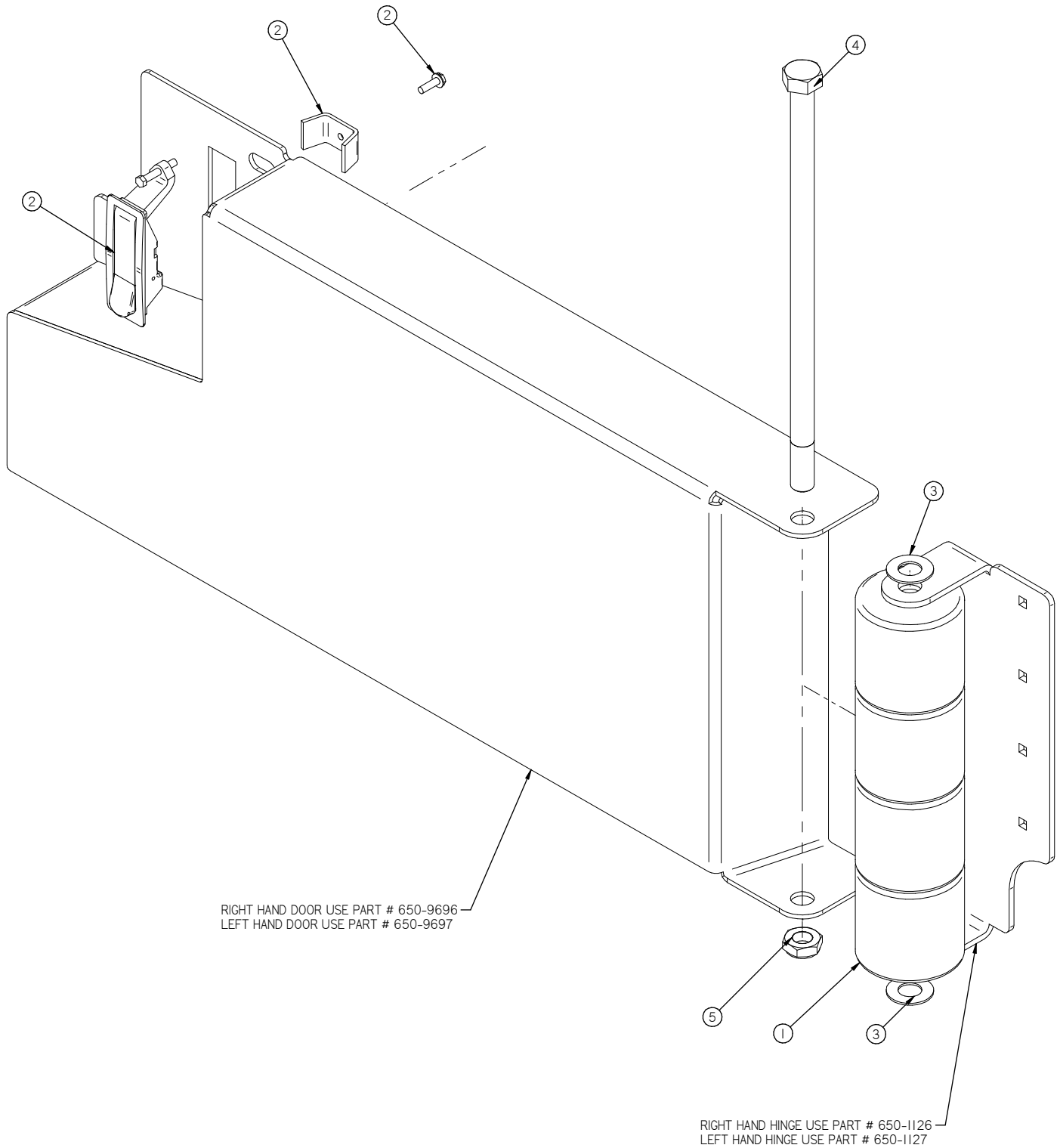
33" AND 34" RIGHT HAND DOOR USE PART # 650-9596
 33" AND 34" LEFT HAND DOOR USE PART # 650-9597

| Item | Part No. | Part Description | Qty. |
|------|----------|-----------------------|------|
| 1 | 5-122 | 8" SS HINGE | 1 |
| 2 | 5-130 | DOOR LATCH | 1 |
| 3 | H-70001 | HCS 1/4"-20 X 1/2 SS" | 4 |
| 4 | H-NJ04C | JNYL 1/4" - 20 SS | 4 |

34" Disk & 33" Cylindrical Doors

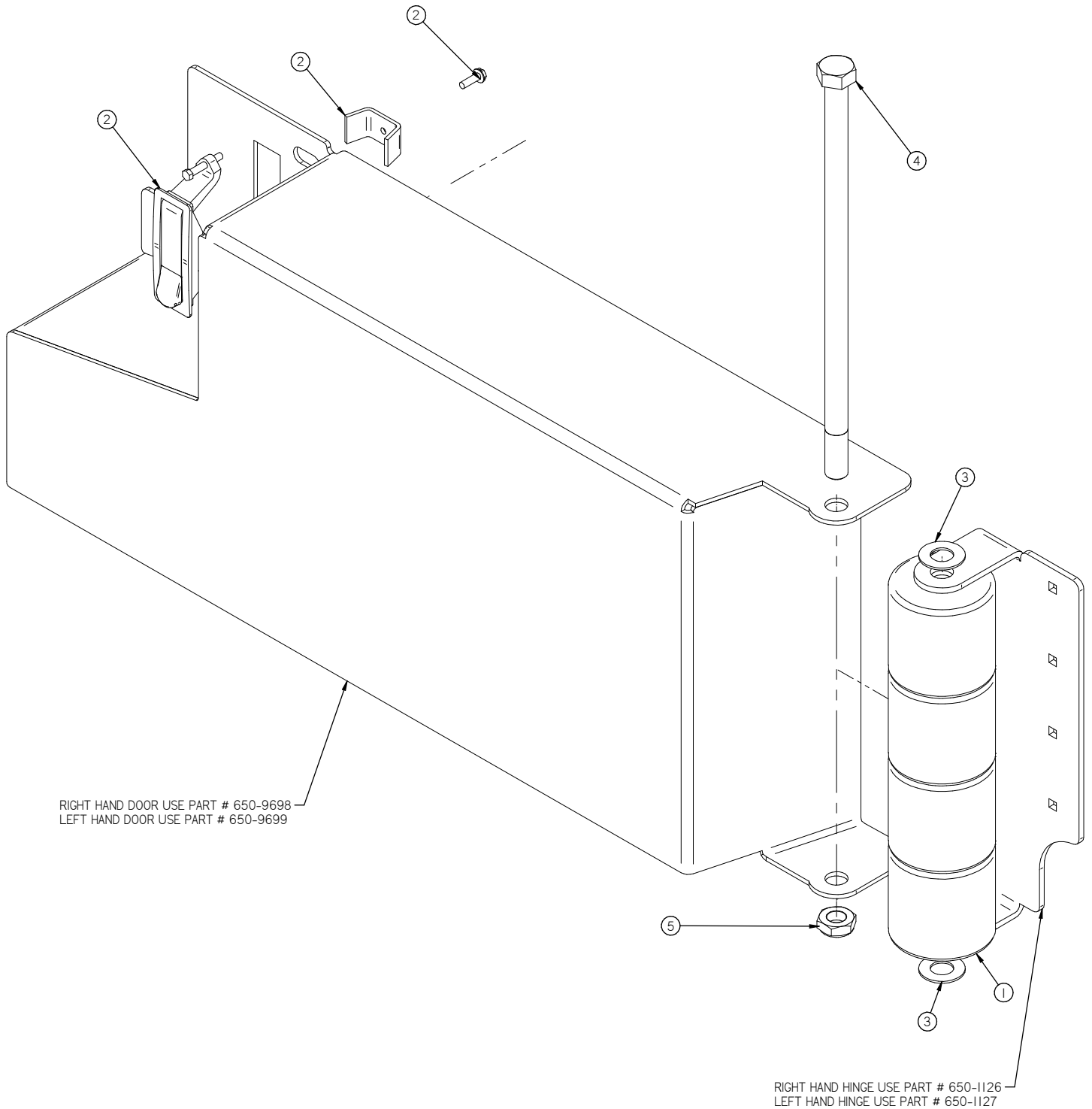


| Item | Part No. | Part Description | Qty. |
|------|----------|-------------------------|------|
| 1 | 2I-1127 | ROLLER | 4 |
| 2 | 5-130 | DOOR LATCH | 1 |
| 3 | H-00279 | FW 5/8" PVC | 2 |
| 4 | H-13337 | HB 5/8" - 11 X 13" | 1 |
| 5 | H-37038 | JNYL 5/8" - 11 | 1 |
| 6 | H-71025 | FW 5/8 ID X 1-1/2 OD SS | 1 |



| Item | Part No. | Part Description | Qty. |
|------|----------|-------------------|------|
| 1 | 21-1127 | ROLLER | 4 |
| 2 | 5-130 | DOOR LATCH | 1 |
| 3 | H-00279 | FW 5/8" PVC | 2 |
| 4 | H-13337 | HB 5/8"- 11 X 13" | 1 |
| 5 | H-37038 | JNYL 5/8"- 11 | 1 |

37" Cylindrical Doors



| Item | Part No. | Part Description | Qty. |
|------|----------|-------------------|------|
| 1 | 21-1127 | ROLLER | 4 |
| 2 | 5-130 | DOOR LATCH | 1 |
| 3 | H-00279 | FW 5/8" PVC | 2 |
| 4 | H-13337 | HB 5/8"- 11 X 13" | 1 |
| 5 | H-37038 | JNYL 5/8"- 11 | 1 |

SQUEEGEE BLADE KITS & COMPLETE SQUEEGEE ASSEMBLIES:

| SQUEEGEE SIZE | 30" DISK DECKS | 34" DISK DECKS | 36" DISK DECKS | 29" CYL. DECKS | 33" CYL. DECKS | 37" CYL. DECKS |
|---------------|----------------|----------------|----------------|----------------|----------------|----------------|
| 33" Squeegee | Optional | Optional | Optional | Optional | Optional | Optional |
| 37" Squeegee | Standard | Optional | Optional | Standard | Optional | Optional |
| 41" Squeegee | Optional | Standard | Optional | Optional | Standard | Optional |
| 45" Squeegee | Optional | Optional | Standard | Optional | Optional | Standard |

| SQUEEGEE SIZE | LINATEX BLADE KIT | URETHANE BLADE KIT | COMPLETE SQUEEGEE ASSEMBLIES |
|---------------|-------------------|--------------------|------------------------------|
| 33" Squeegee | 633-770L | 633-770U | 633-9180 |
| 37" Squeegee | 637-770L | 637-770U | 637-9180 |
| 41" Squeegee | 641-770L | 641-770U | 641-9180 |
| 45" Squeegee | 645-770L | 645-770U | 645-9180 |

| SQUEEGEE MATERIAL: | USED FOR: |
|--------------------|--|
| LINATEX | Provides best wear and tear resistance. Not designed for use with harsh chemicals. |
| URETHANE | Provides best resistance when dealing with harsh chemicals, oils, fuels, etc. |

NOTICE

Squeegee blade kits include (1) Rear Blade & (1) Front Blade.

NOTICE

Squeegee Assemblies (complete) listed above all come with Linatex blades.

NOTICE

Size is indicated by decal on top of the painted steel squeegee body on all squeegee's.

Common Wear Parts

ROUND DISK BRUSHES:

NOTICE

The ## in Disk Column Denotes Desk Pad Size: 15" or 17"

| BRUSHES | DISK | LEVEL |
|----------------|----------|-----------|
| Super Grit | ##-382SS | Very High |
| Tough Grit | ##-382S | High |
| Midi Grit | ##-382C | Medium |
| Light Grit | ##-382PS | Moderate |
| Poly | ##-382P | Light |
| Nylon | ##-382N | Light |
| Tampico | ##-382T | Light |
| Pad Driver | ##-382D | |
| Diamond Driver | ##-382DD | |

ROUND DISK PADS:

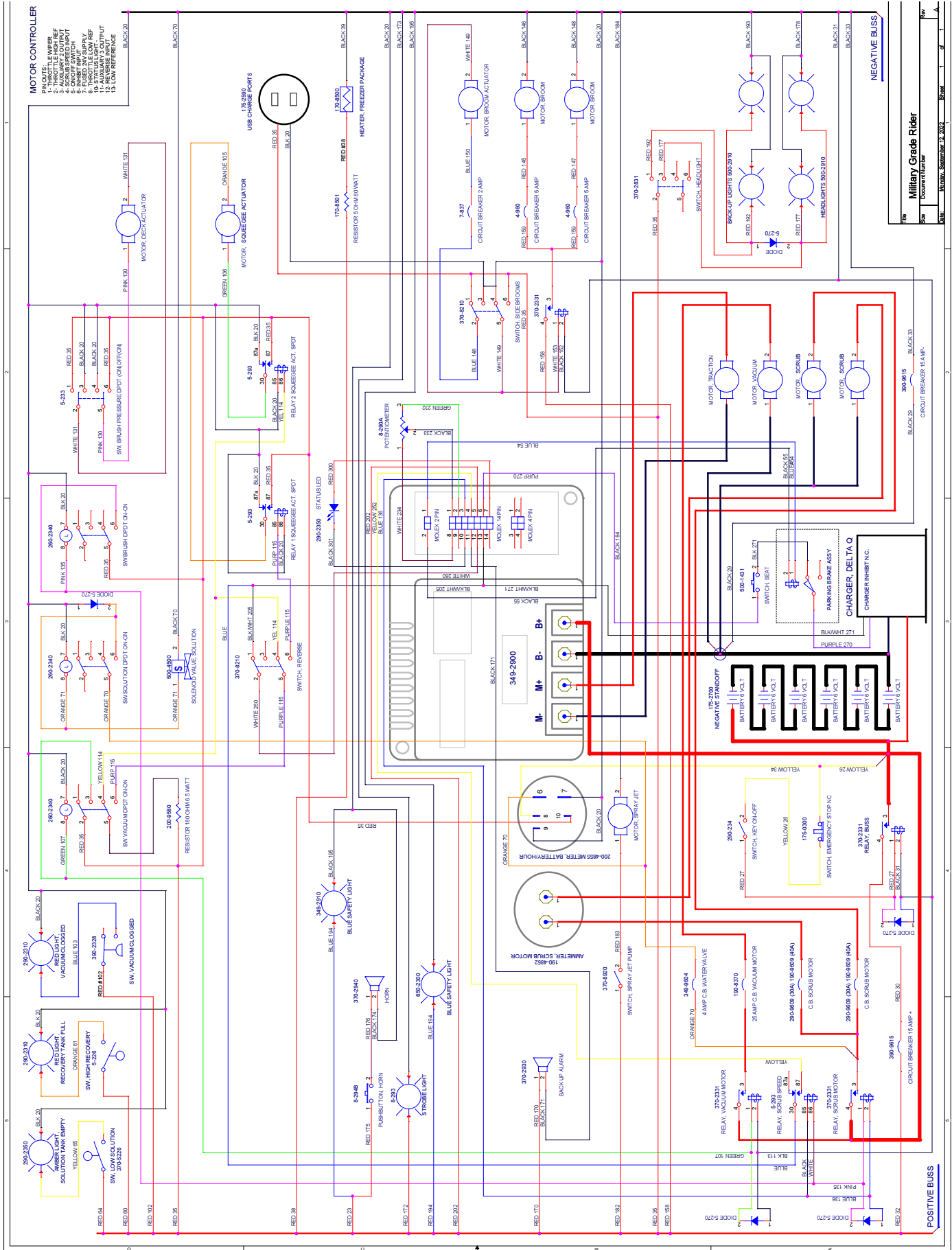
NOTICE

The ## in Disk Column Denotes Desk Pad Size: 15" or 17"

| DISK PADS | DISK | LEVEL | COLOR |
|-------------|----------|-----------|-------|
| Super Black | ##-422BB | Very High | Black |
| Black | ##-422B | High | Black |
| Brown | ##-422BR | High | Brown |
| Green | ##-422G | Medium | Green |
| Blue | ##-422BL | Moderate | Blue |
| Red | ##-422R | Moderate | Red |
| White | ##-422W | Light | White |

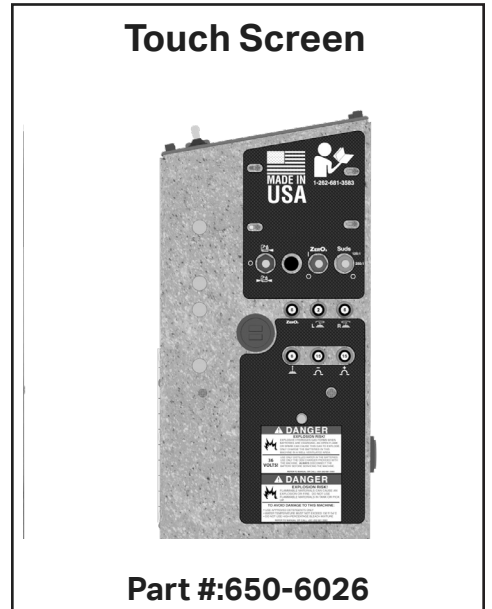
CYLINDRICAL BRUSHES:

| BRUSHES | MODEL 29" CYLINDRICAL | MODEL 33" CYLINDRICAL | MODEL 37" CYLINDRICAL | LEVEL |
|------------|--------------------------|--------------------------|--------------------------|----------|
| Tough Grit | 276-697S | 316-697S | 356-697S | High |
| Midi Grit | 276-697C | 316-697C | 356-697C | Medium |
| Light Grit | 276-697PS | 316-697PS | 356-697PS | Moderate |
| Fine Grit | 276-697F | 316-697F | 356-697F | Light |
| Nylon | 276-697N | 316-697N | 356-697N | Light |
| Tampico | 276-697T | 316-697T | 356-697T | Light |

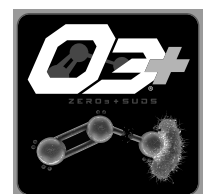
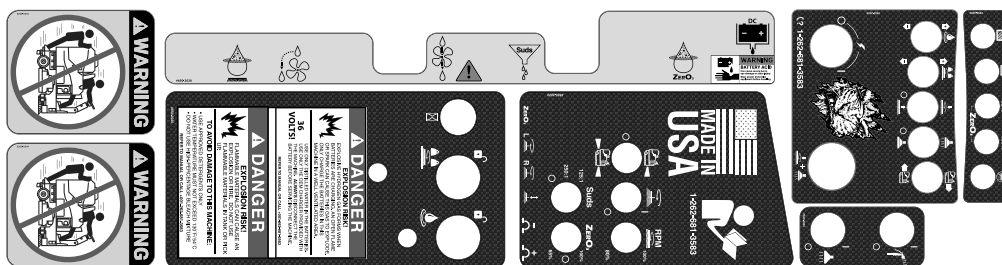


Decals

Central Command Decals



Models / Options / Squeegee Size Decals



BLANK

THIS PAGE WAS INTENTIONALLY LEFT BLANK

FACTORYCAT[®]

1711 South Street
Racine, WI 53404
www.factorycat.com
262-681-4060