

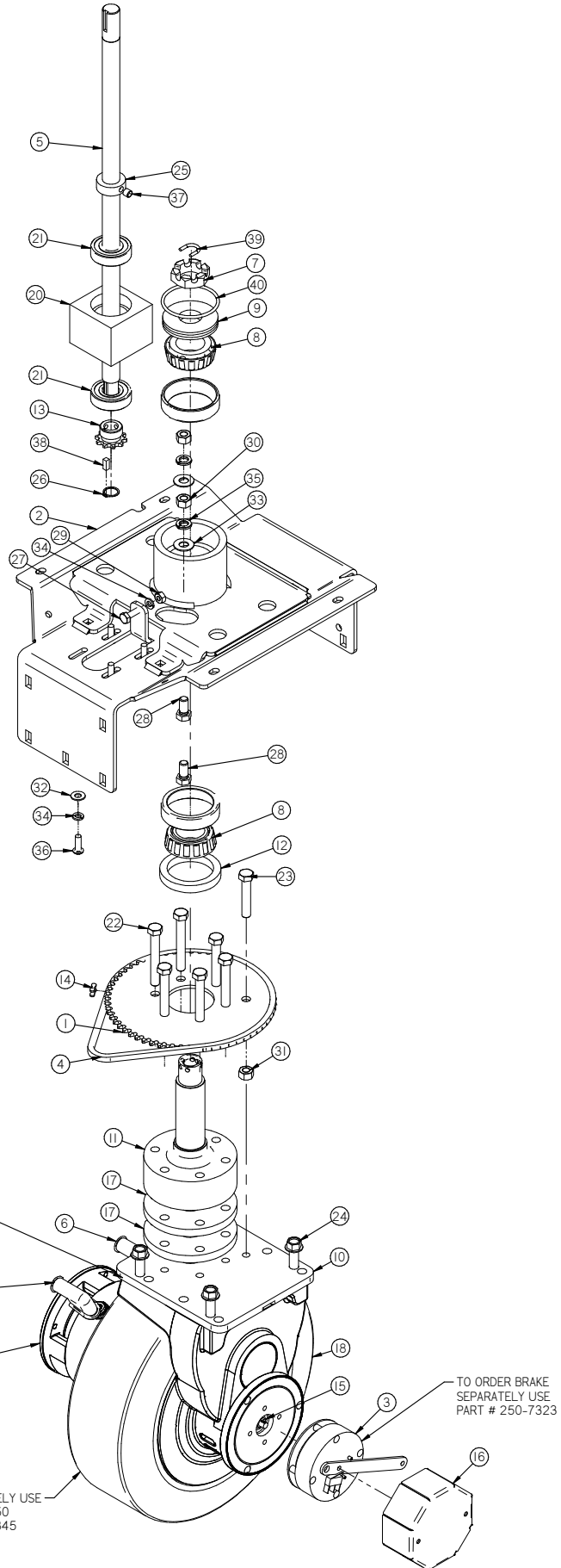
Read Operation Instructions
before using the machine.

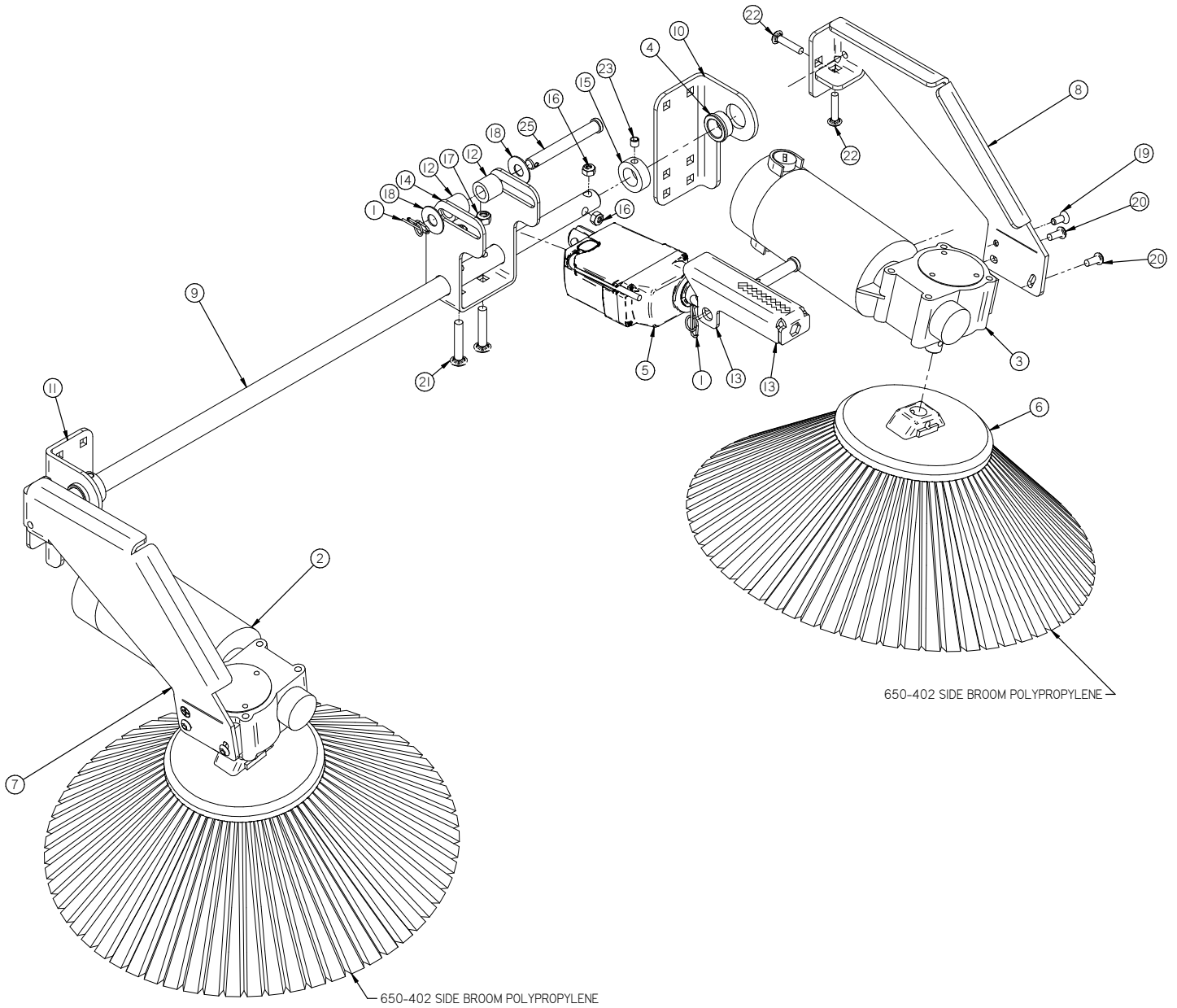


Read the Safety Messages
before using the machine.

Front Wheel Drive.....	4
Side Brooms	5
Front Wheel, Side Brooms, and Side Rollers	6
Attaching Decks.....	8
Disk Shrouds	9
Disk Decks.....	10
Cylindrical Decks	12
Cylindrical Wipers.....	14
Cylindrical Doors	15
Squeegee Trail Arm - Standard	16
Squeegee Trail Arm - Optional	17
Attaching Squeegee Trail Arm, Bumper, & Axle	18
Squeegee Assembly.....	19
Solution System.....	20
ZERO3 System	21
Suds System	22
Solution & Recovery Tank	23
Utility Rack.....	24
Tank Baffle.....	25
Vacuum Motor Assembly	26
Attaching Tanks & Batteries.....	27
Legacy Central Command.....	28
Military Central Command	30
Touch Central Command.....	32
Steering Column.....	34
Attaching Steering Column & Central Command	35
30" Disk & 29" Cylindrical Doors	36
34" Disk & 33" Cylindrical Doors	37
36" Disk Doors.....	38
37" Cylindrical Doors	39
Common Wear Parts	41
Schematics - Military	42
Schematics - Touch Screen.....	43
Schematics - Legacy	44
Decals.....	45

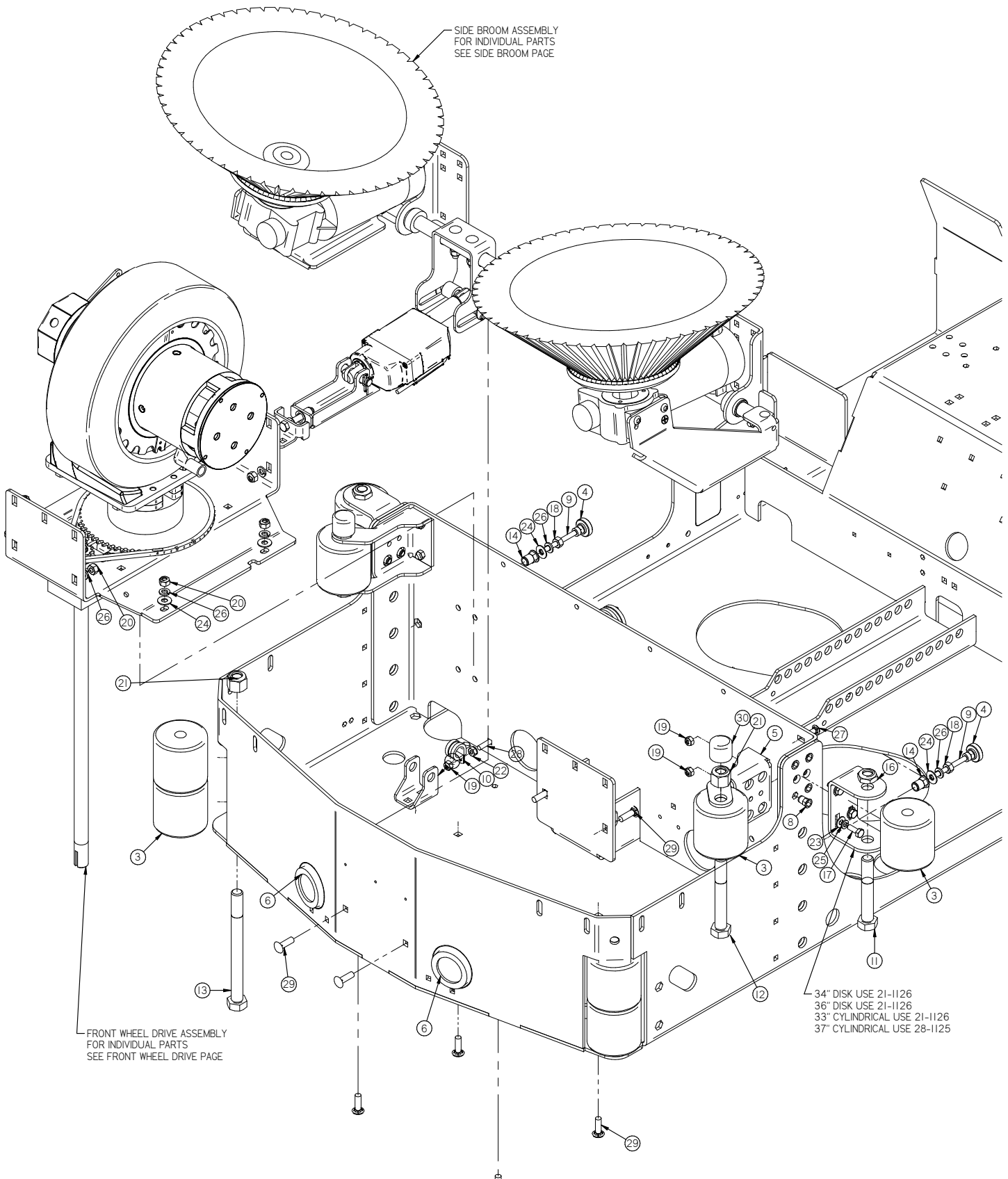
Item	Part No.	Part Description	Qty.
1	250-7314	60 TOOTH STEERING SPROCKET	1
2	250-7320A	12" DROP PLATE	1
3	250-7323	PARKING BRAKE	1
4	250-7327	STEERING CHAIN	1
5	275-7120	STEERING SHAFT, LOWER	1
6	290-2780	TERMINAL BOOT, BLACK	1
7	37-7321	SLOTTED NUT, 2.0 - I2	1
8	370-7317	TAPERED ROLLER BEARING	2
9	370-7321	PRE LOAD SLEEVE	1
10	370-7326	PIVOT PLATE	1
11	370-7332	1.25" DIA. STEERING SPINDLE	1
12	370-8374	BEARING SEAL	1
13	5-826	10 TOOTH SPROCKET 5/8 SHAFT	1
14	5-831	MASTER LINK	1
15	600-7310K	KEY	1
16	600-7324	BRAKE COVER	1
17	650-7328	PIVOT SPACER PLATE	2
18	700-7340	12 INCH 36V DRIVE	1
19	8-278	TERMINAL BOOT, RED	1
20	8-723	BEARING BLOCK	1
21	8-723B	1-3/4 X 3/4" ROLLER BEARING	2
22	???	HCS 3/8" - 24 X 2.75" SS	6
23	H-0172949	HCS 3/8" - 24 X 2" SS FULL THREADED	1
24	H-11115680	FB CASHD M10-1.5 X 30mm	4
25	H-33376	SHAFT COLLAR, 3/4" ID X 9/16 LG	1
26	H-68013	SNAPRING	1
27	H-70003	HCS 1/4"-20 X 3/4" SS	1
28	H-70103	HCS 3/8"-16 X 3/4" SS	2
29	H-70710	HN 1/4" - 20 SS	1
30	H-70712	HN 3/8"-16 SS	2
31	H-70732	HN 3/8" - 24 SS	1
32	H-71013	FW 1/4 ID X 5/8 OD SS	4
33	H-71017	FW 3/8 ID X 7/8 OD SS	2
34	H-71063	LW 1/4" SS	5
35	H-71067	LW 3/8" SS	2
36	H-73754	BHSCS 1/4 - 20 X 3/4" SS	4
37	H-81983	5/16" X 1/4" KURL SET SCREW	1
38	H-K1432	3/16" X 1/2" KEY	1
39	M-9381T24	S-HOOK	1
40	M-9452K66	.125 X 2.25 X 2.5 O-RING,par	1





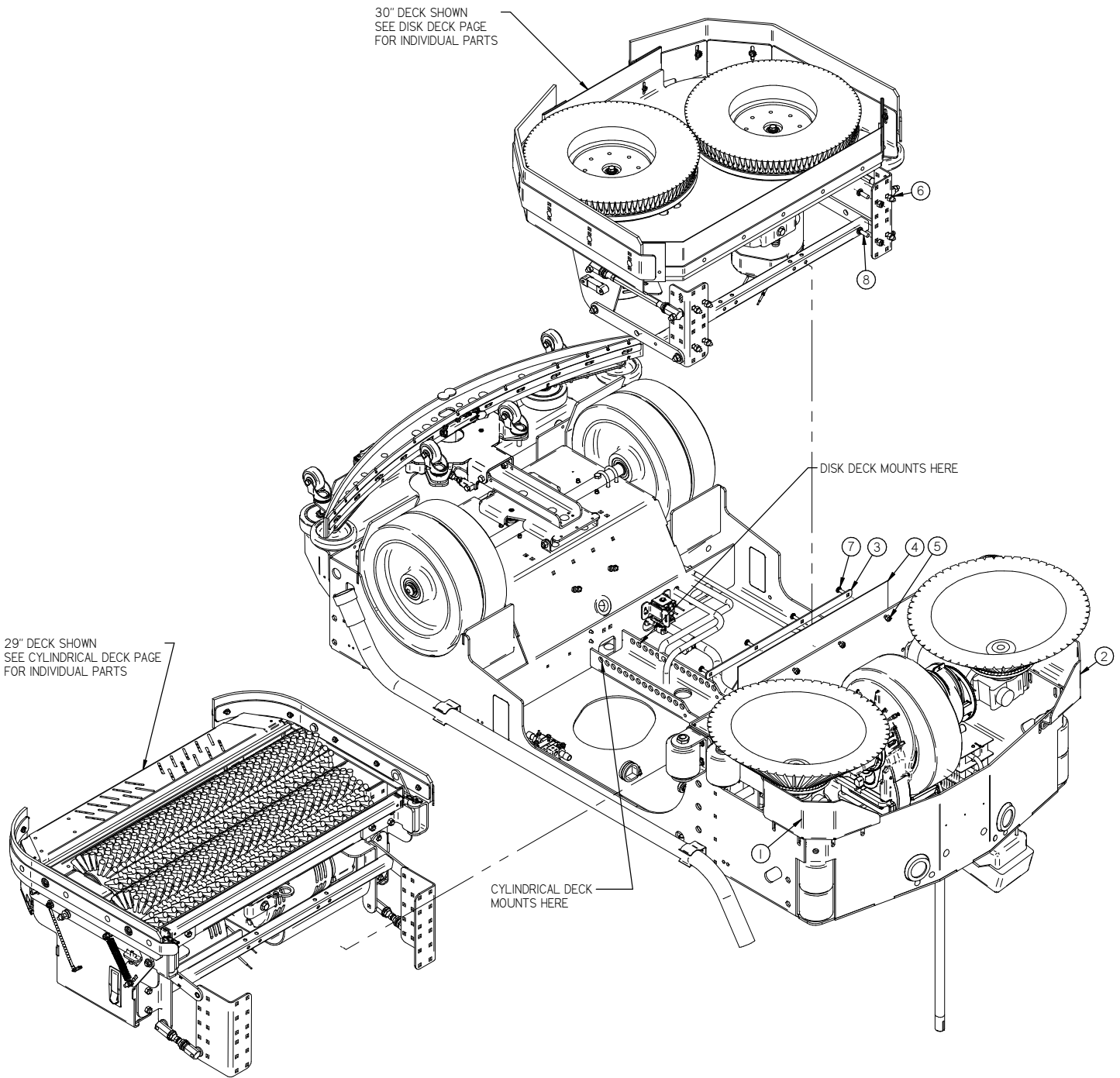
Item	Part No.	Part Description	Qty.
1		ruo ring cotter .4375	2
2	250-0220	(RHI) SIDE BROOM MOTOR, 36V 106 RPM	1
3	250-0222	(LHI) SIDE BROOM MOTOR, 36V 106 RPM (44:1)	1
4	4-4230	3/4" X 1" X 1/2" FLG BEARING	2
5	600-2210	2.0" STROKE ACTUATOR (36V 600Nm)	1
6	650-402	15.5 SIDE BROOM POLYPROPYLENE	2
7	650-4420	(RHI) SIDE BROOM LIFT ARM	1
8	650-4421	(LHI) SIDE BROOM LIFT ARM	1
9	650-4621	SIDE BROOM AXLE SHAFT	1
10	650-4630	SIDE BROOM AXLE BRACKET (LHI)	1
11	650-4631	SIDE BROOM AXLE BRACKET (RHI)	1
12	700-0010	SIDE BROOM ACTUATOR SPACER	2
13	700-1005	BRACKET, SIDEBROOM, LIFTING	1
14	700-4422	SIDE BROOM PIVOT	1
15	H-33376	SHAFT COLLAR, 3/4" ID X 9/16 LG	2
16	H-70860	NYLOK 1/4"- 20 SS	2
17	H-70861	NYLOK 5/16" - 18 SS	2
18	H-71019	FW 7/16 ID X 1-1/8 OD SS	2
19	H-72706	FHP 1/4"- 20 X 5/8" SS	2
20	H-73753	BHSCS 1/4 - 20 X 5/8" SS	4
21	H-74401	CB 5/16"- 18 X 1-3/4" SS	2
22	H-74421	CB 1/4"- 20 X 1-1/4" SS	2
23	H-81983	5/16" X 1/4" KURL SET SCREW	2
24*	M-92390A320	.4375 X 2.0 CLEVIS	1
25	M-92390A327	7/16" X 3-1/2" CLEVIS PIN	1

Front Wheel, Side Brooms, and Side Rollers



Front Wheel, Side Brooms, and Side Rollers

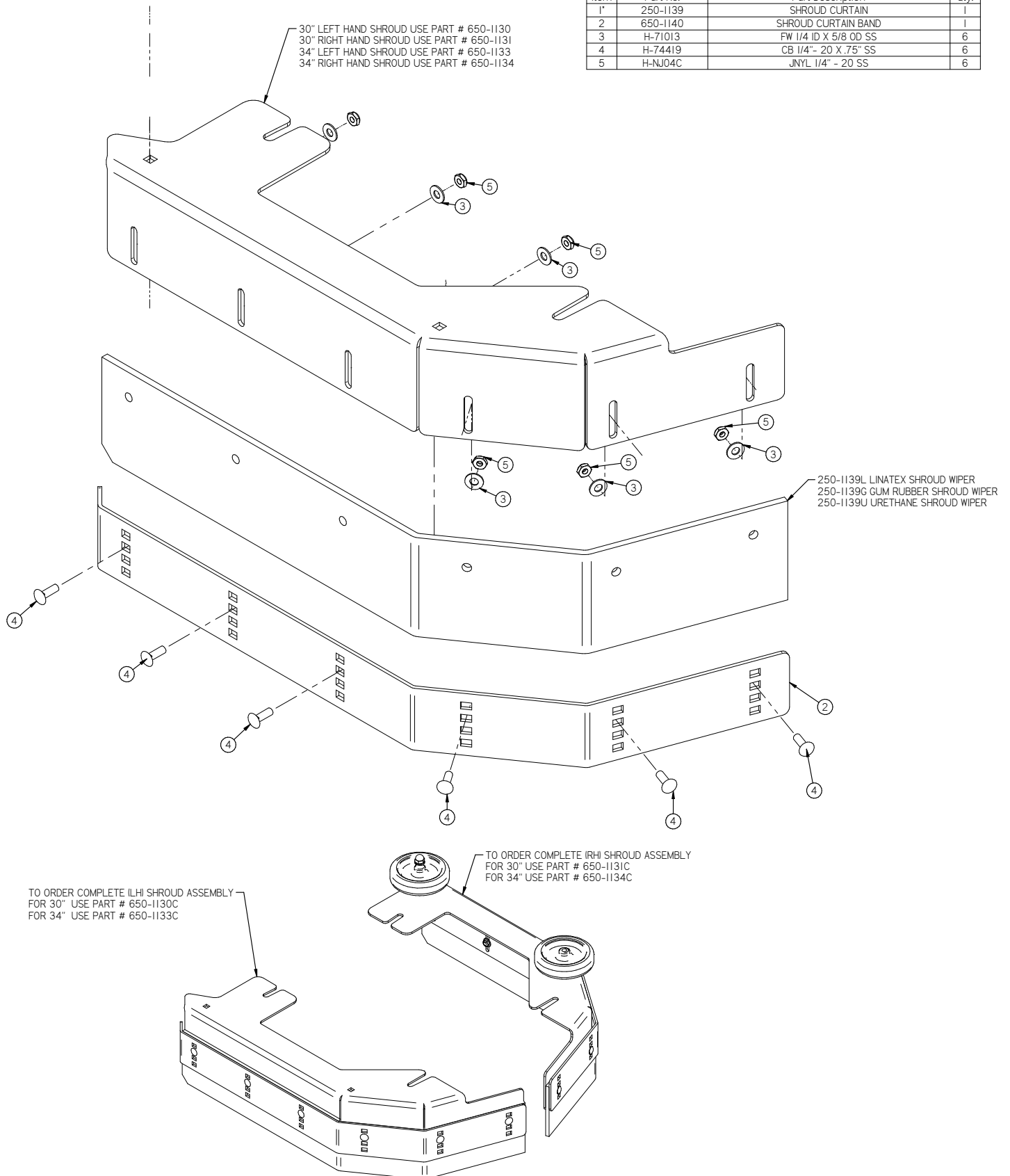
Item	Part No.	Part Description	Qty.
1*			1
2	150-1006	LIFTING BRACKET	1
3	21-1127	ROLLER	8
4	4-457	ADJUSTMENT KNOB	2
5	500-1028	LOWER ROLLER BRACKET	2
6	500-2910	HEAD LIGHT	2
7*	700-4422	SIDE BROOM PIVOT	1
8	H-00918	HCN 1/4"-20 LG	8
9	H-01205	SHCS 5/16-18 X 2-1/2 SS	2
10	H-0127294	3/4" LOOP CLAMP	1
11	H-11319	HB 5/8"- 11 X 4"	2
12	H-11321	HB 5/8"- 11 X 4 1/2"	2
13	H-13327	HB 5/8"- 11 X 7"	2
14	H-312HCN	HCN 5/16"-18	2
15*	H-3225T	1-1/2" LOOP CLAMP	1
16	H-37038	JNYL 5/8"- 11	2
17	H-70003	HCS 1/4"-20 X 3/4" SS	5
18	H-70711	HN 5/16"- 18 SS	2
19	H-70860	NYLOK 1/4"- 20 SS	6
20	H-70861	NYLOK 5/16" - 18 SS	5
21	H-70866	NYL 5/8"- 11	4
22	H-70925	KN 1/4-20 S/S	1
23	H-71013	FW 1/4 ID X 5/8 OD SS	5
24	H-71015	FW 5/16 ID X 3/4 OD SS	4
25	H-71063	LW 1/4" SS	5
26	H-71065	LW 5/16" SS	6
27	H-74419	CB 1/4"- 20 X .75" SS	5
28	H-74420	CB 1/4"- 20 X 1.0" SS	2
29	H-74430	CB 5/16"- 18 X 1" SS	10
30	M-9267K47	15/16" HEX CAP	2

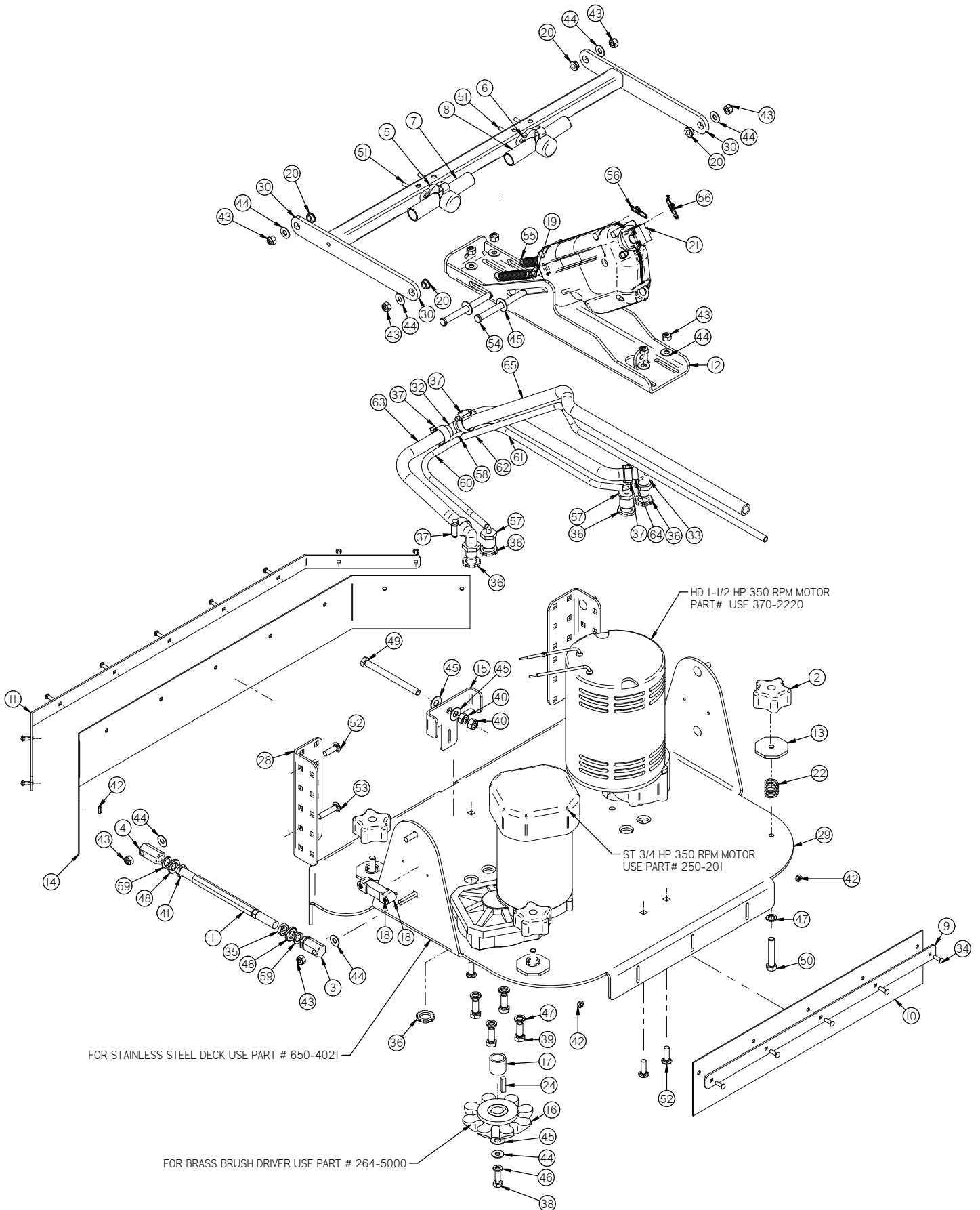


Item	Part No.	Part Description	Qty.
1	250-1117	FRONT GUARD - LH	1
2	250-1118	FRONT GUARD - RH	1
3	250-1320	CURTAIN BAND	1
4	650-1311	CYLINDRICAL CURTAIN	1
5	H-70860	NYLOK 1/4" - 20 SS	4
6	H-70861	NYLOK 5/16" - 18 SS	8
7	H-74419	CB 1/4" - 20 X 75" SS	4
8	H-74430	CB 5/16" - 18 X 1" SS	8

Disk Shrouds

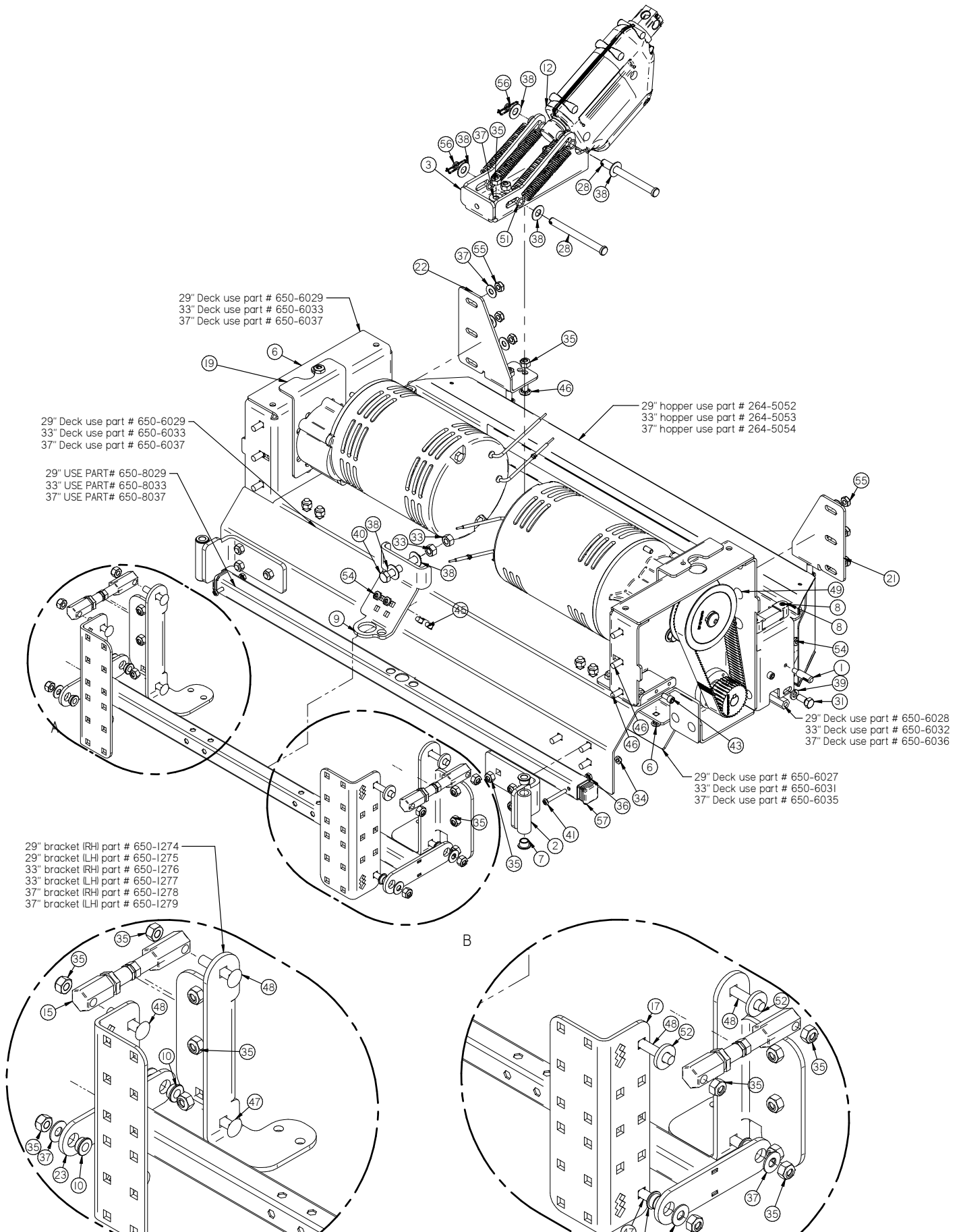
Item	Part No.	Part Description	Qty.
1*	250-1139	SHROUD CURTAIN	1
2	650-1140	SHROUD CURTAIN BAND	1
3	H-71013	FW 1/4 ID X 5/8 OD SS	6
4	H-74419	CB 1/4" - 20 X .75" SS	6
5	H-NJ04C	JNYL 1/4" - 20 SS	6



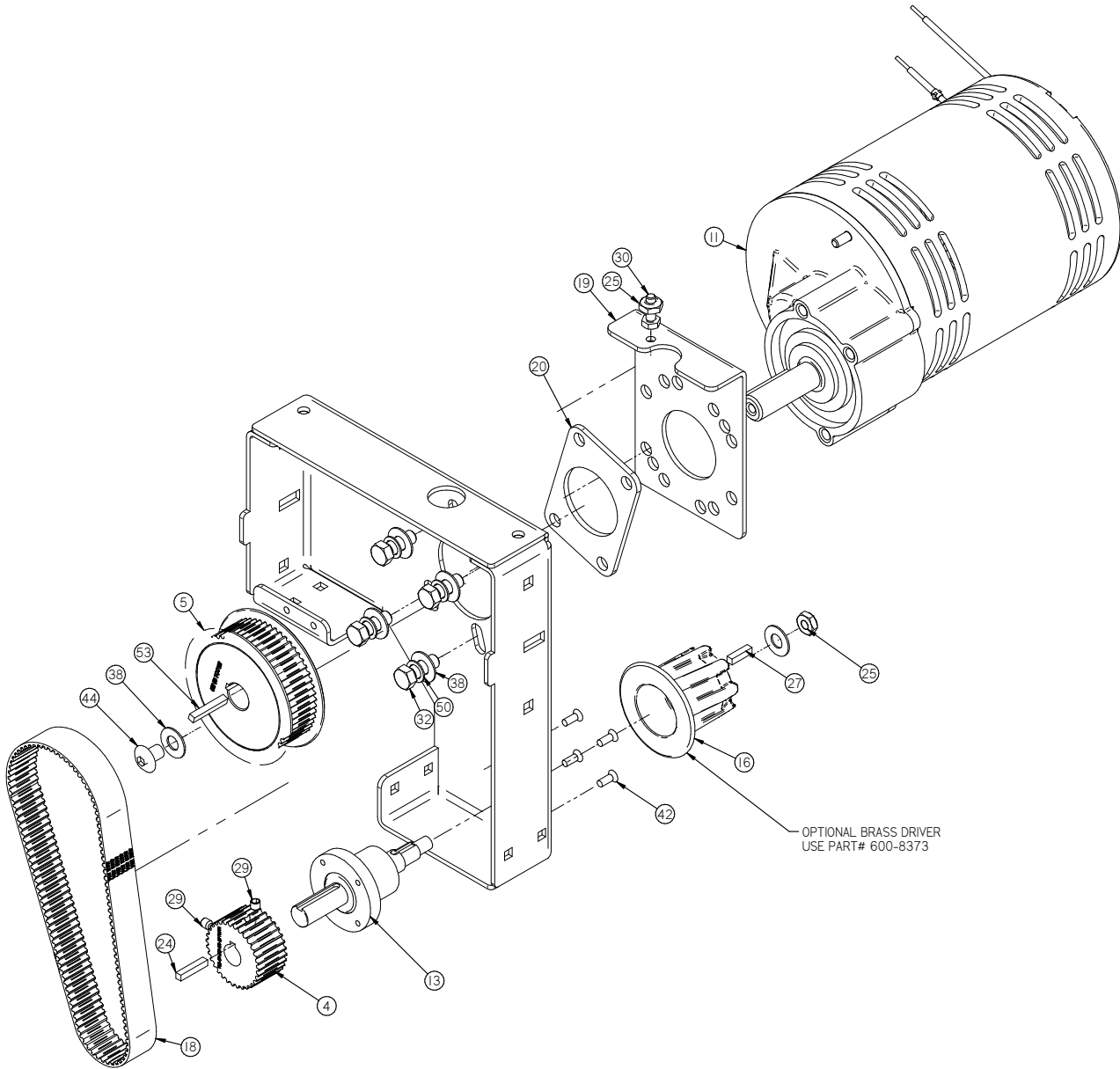


Disk Decks

Item	Part No.	Part Description	Qty.
1	10-00	10" ADJUSTABLE LATERAL ARM BODY	2
2	150-5786	STAR KNOB, 3/8-16 THREAD	4
3	150-9583	ADJUSTABLE ROD END (LH THREAD)	2
4	150-9584	ADJUSTABLE ROD END (RH TREAD)	2
5	175-2700	NEG INSULATOR POST (BLACK)	2
6	175-2710	POS INSULATOR POST (RED)	4
7	175-2780	BLACK INSULATOR BOOT	1
8	175-2790	RED INSULATOR BOOT	1
9	250-1077	33" REAR DECK CURTAIN BAND	1
10	250-1078	25/29/33 REAR DECK CURTAIN	1
11	250-1079	33 FRONT DECK CURTAIN BAND	1
12	250-1103	DISK SCRUB DECK BRACKET	1
13	250-1184	SHROUD ADJ. KNOB (3/8-16 THREAD)	4
14	250-1310	33" FRONT DECK CURTAIN	1
15	250-4022	DISK DECK HEIGHT ADJUSTMENT	1
16	264-5003	BRUSH DRIVER ROUNDED TOOTH	2
17	264-5005	DRIVER SPACER	2
18	300-4030	LEVEL	2
19	370-1081	SLEEVE BEARING	1
20	370-1247	BUSHING 5/16 X 1/2 X 3/16	4
21	370-2210	4" STROKE 36V ACTUATOR 450 LB LOAD	1
22	4-386	LIFT LEVER SPRING	4
23'	5-124	LATERAL ARM	1
24	5-431	1/4" X 1" KEY	2
25'	500-2240	4" STROKE ACTUATOR (36V 900Nm)	1
26'	600-2240	3 INCH STROKE ACTUATOR (24V)	1
27'	650-1103	DISK SCRUB DECK BRACKET	1
28	650-1265	SCRUB ARM BRACKET	2
29	650-4020	30"-34" SCRUB DECK	1
30	650-9586	DISK LATERAL ARM	1
31'	650-9587	LIFT ARM CROSS BAR	1
32	7-247	5/8" PLASTIC BARB TEE	1
33	7-248	5/8 BARB TO 1/2 NPT ELBOW	2
34	H-0172519	CB #10-32 X 5/8" SS	14
35	H-0175075	LH HX JAM .50-20 SS	2
36	H-07005	1/2" NPT LOCKNUT	8
37	H-081	CLAMP 1.0"- 1-1/8" SS	5
38	H-70055	HCS 5/16"- 18 X 1" SS	2
39	H-70105	HCS 3/8"- 16 X 1" SS	8
40	H-70712	HN 3/8"-16 SS	2
41	H-70834	HX JAM .50-20 SS	2
42	H-70858	NYLOK #10-32 SS	12
43	H-70861	NYLOK 5/16" - 18 SS	12
44	H-71015	FW 5/16 ID X 3/4 OD SS	14
45	H-71017	FW 3/8 ID X 7/8 OD SS	8
46	H-71065	LW 5/16" SS	2
47	H-71067	LW 3/8" SS	12
48	H-71071	LW 1/2" SS	4
49	H-71190	HCS 3/8"- 16 X 2-1/2" SS (FULLY THREADED)	1
50	H-71190	HCS 3/8"- 16 X 2-1/2" SS (FULLY THREADED)	4
51	H-72556	PPH #10-32 X 2" SS	4
52	H-74430	CB 5/16"- 18 X 1" SS	8
53	H-74432	CB 5/16"- 18 X 1-1/2" SS	4
54	H-923903	3/8" X 4" CLEVIS PIN	2
55	H-96544	SPRING, 4-1/8" LG X 9/16" OD (42E)	2
56	H-RUE14	3/8" RUE RING COTTER	2
57	M-5463K494	1/2 NPT X 1/4" BARB ELBOW	2
58	M-5463K606	1/4" X 1/4" PLASTIC BARBED TEE	1
59	M-98126A739	SHIM, 1/2" ID X 3/4" OD X 1/16" THICK, S/S	4
60	T-025B6000	BULK 1/4" ID X 5' BLUE ZERO HOSE	1
61	T-025B6000	BULK 1/4" ID X 5' BLUE ZERO HOSE	1
62	T-025B6000	BULK 1/4" ID X 5' BLUE ZERO HOSE	1
63	T-050R6000	BULK 1/2" ID X 5' WIRE REINFORCED SOLUTION HOSE	1
64	T-050R6000	BULK 1/2" ID X 5' WIRE REINFORCED SOLUTION HOSE	1
65	T-050R6000	BULK 1/2" ID X 5' WIRE REINFORCED SOLUTION HOSE	1

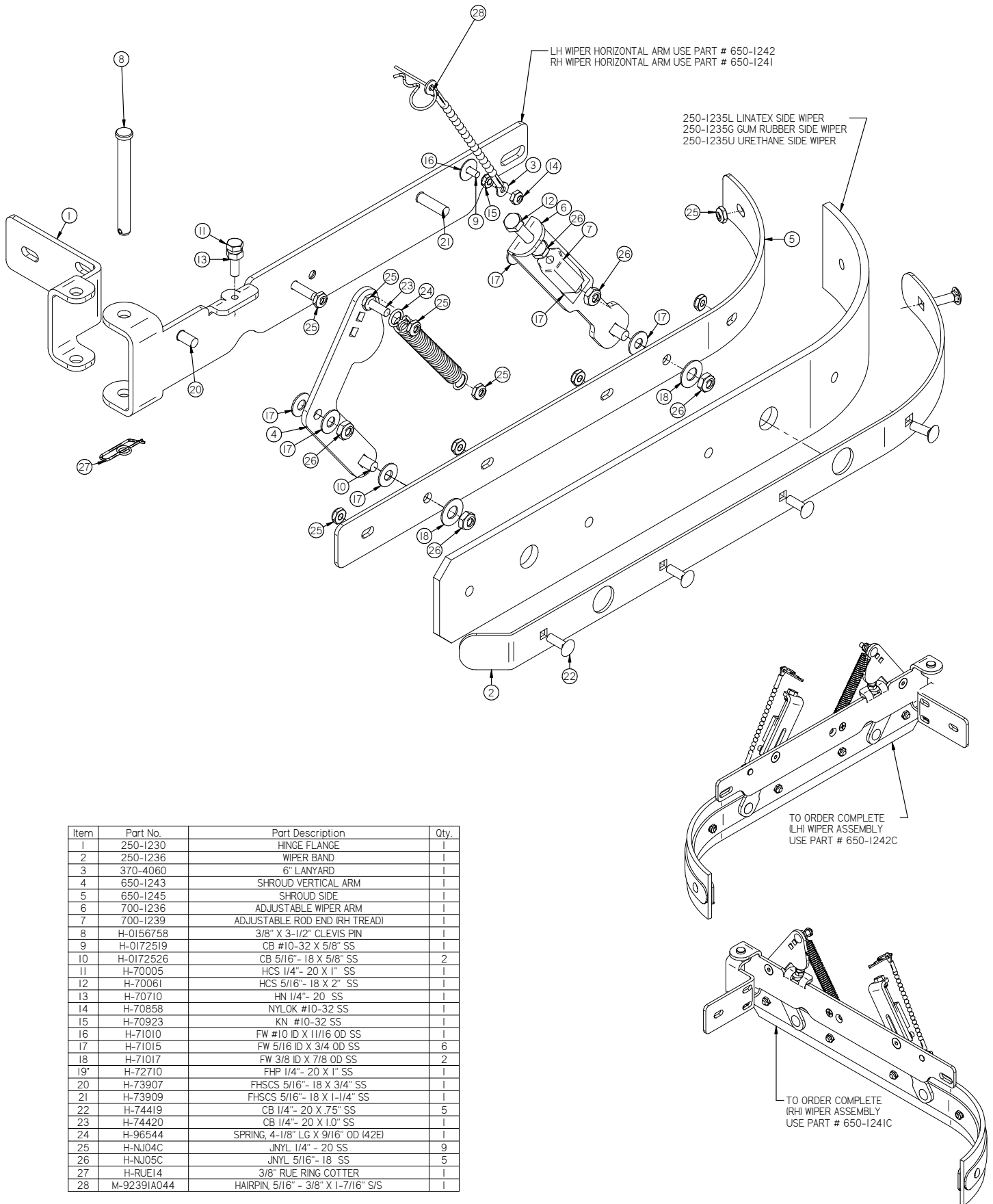


Cylindrical Decks



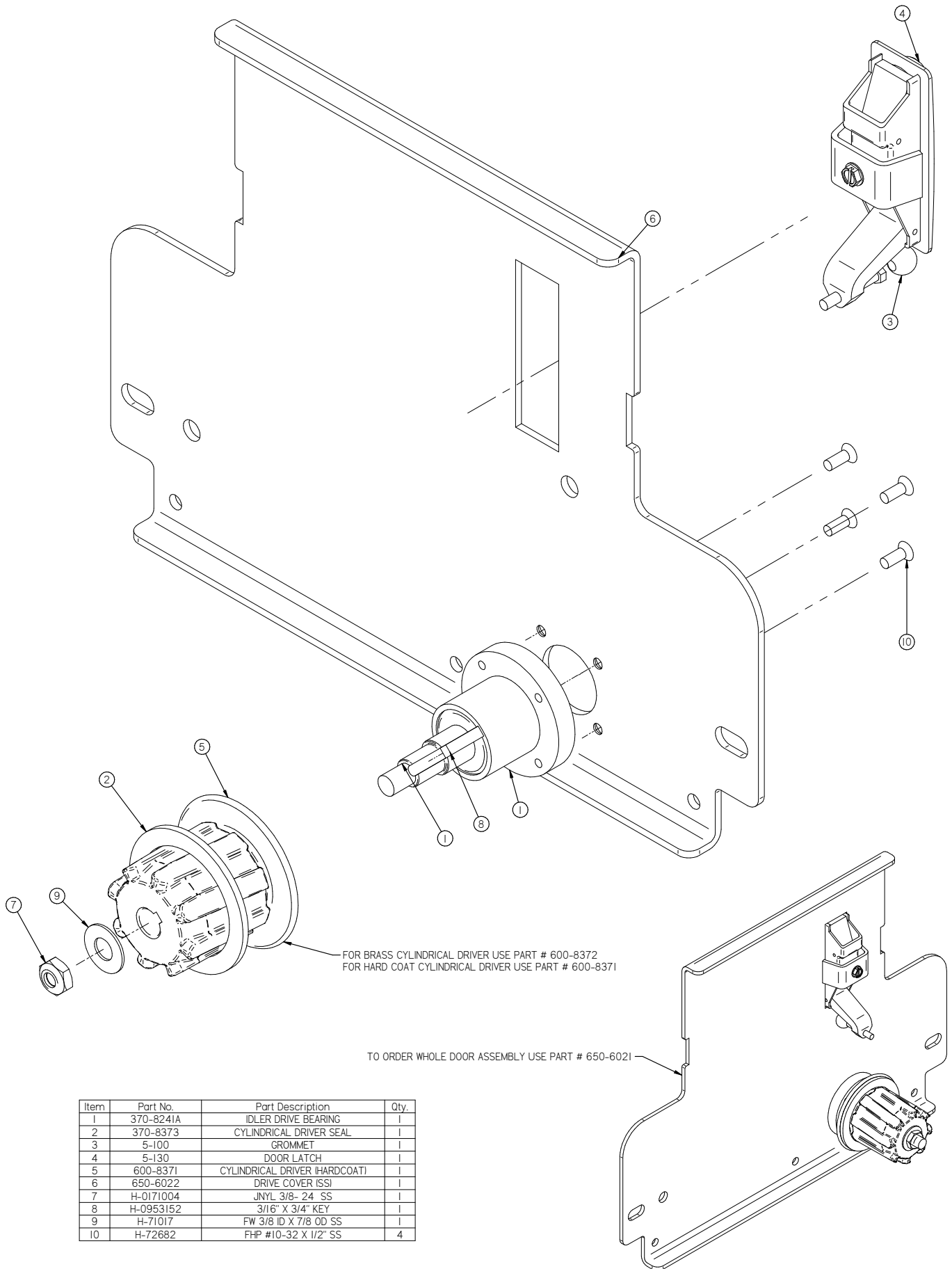
OPTIONAL BRASS DRIVER
USE PART# 600-8373

Item	Part No.	Part Description	Qty.	Item	Part No.	Part Description	Qty.
1	250-0001	RETAINER PIN	2	29	H-25379	SETSCREW, KCP, 1/4"-20 X 1/4"	8
2	250-1230	SHROUD HINGE	2	30	H-70003	HCS 1/4"-20 X 3/4" SS	2
3	250-9003	CYLINDRICAL LIFTING BRACKET	1	31	H-70053	HCS 5/16"-18 X 3/4" SS	2
4	253-8215	TIMING SPROCKET 32 TOOTH	2	32	H-70105	HCS 3/8"-16 X 1" SS	8
5	264-8225	TIMING SPROCKET 56 TOOTH	2	33	H-70712	HN 3/8"-16 SS	2
6	264-9029	CYLINDRICAL BRUSHHEAD, 29"	1	34	H-70858	NYLOK #10-32 SS	2
7	290-1245	3/8" ID, 1/2" OD, 3/8" LG, FLANGE BEARING	4	35	H-70861	NYLOK 5/16" - 18 SS	32
8	300-4030	LEVEL	2	36	H-70923	KN #10-32 SS	2
9	370-1237	SOLUTION FEED BRACKET	1	37	H-71015	FW 5/16 ID X 3/4 OD SS	14
10	370-1247	BUSHING 5/16 X 1/2 X 3/16	4	38	H-71017	FW 3/8 ID X 7/8 OD SS	18
11	370-2220	MOTOR 36V 1.5 HP X 350 RPM	2	39	H-71065	LW 5/16" SS	2
12	370-2240	2" STROKE 36V ACTUATOR 450 LB LOAD	1	40	H-71190	HCS 3/8"-16 X 2-1/2" SS (FULLY THREADED)	1
13	370-8240A	BEARING HOUSING/BEARING	2	41	H-72554	PPH #10-32 X 1-1/2"	2
14	370-9002	MOTOR SHIELD	2	42	H-72682	FHP #10-32 X 1/2" SS	8
15	4-25	6.25" ADJUSTABLE LATERAL ARM	2	43	H-73459	SHCS 1/4"-20 X 1/2" SS	4
16	600-8371	CYLINDRICAL DRIVER (HARD COAT)	2	44	H-73811	BHSCS 3/8"-16 X 1/2" SS	2
17	650-1265	SCRUB ARM BRACKET	2	45	H-74417	CB 1/4"-20 X .5" SS	2
18	650-8230	HI-PERFORMANCE PD PLUS BELT HTD 555-5M	2	46	H-74429	CB 5/16"-18 X 3/4" SS	24
19	650-9002	MOTOR ADJ BRACKET	2	47	H-74430	CB 5/16"-18 X 1" SS	4
20	650-9004	MOTOR SPACER	2	48	H-74432	CB 5/16"-18 X 1-1/2" SS	4
21	650-9072	CYL REAR SUPPORT BRACKET, LH	1	49	H-744??	CB 5/16"-18 X 1/2" SS	6
22	650-9073	CYL REAR SUPPORT BRACKET, RH	1	50	H-90895	WASHER SERRATED BELLEVILLE, 3/8", S/S	8
23	650-9585	CYL LATERAL ARM	1	51	H-96544	SPRING, 4-1/8" LG, 9/16 OD, 142EJ	4
24	H-01125	3/16" X 1" KEY	2	52	H-98025	FW 3/8" GRADE 8	4
25	H-0171004	JNYL 3/8-24 SS	4	53	H-K14320	3/16" X 1 1/4" KEY	2
26	H-07088	HOLE PLUG, 7/8"	2	54	H-NJ04C	JNYL 1/4" - 20 SS	4
27	H-0953152	3/16" X 3/4" KEY	2	55	H-NJ05C	JNYL 5/16"-18 SS	6
28	H-1121256	3/8" X 4" CLEVIS PIN	2	56	H-RUE14	3/8" RUE RING COTTER	2



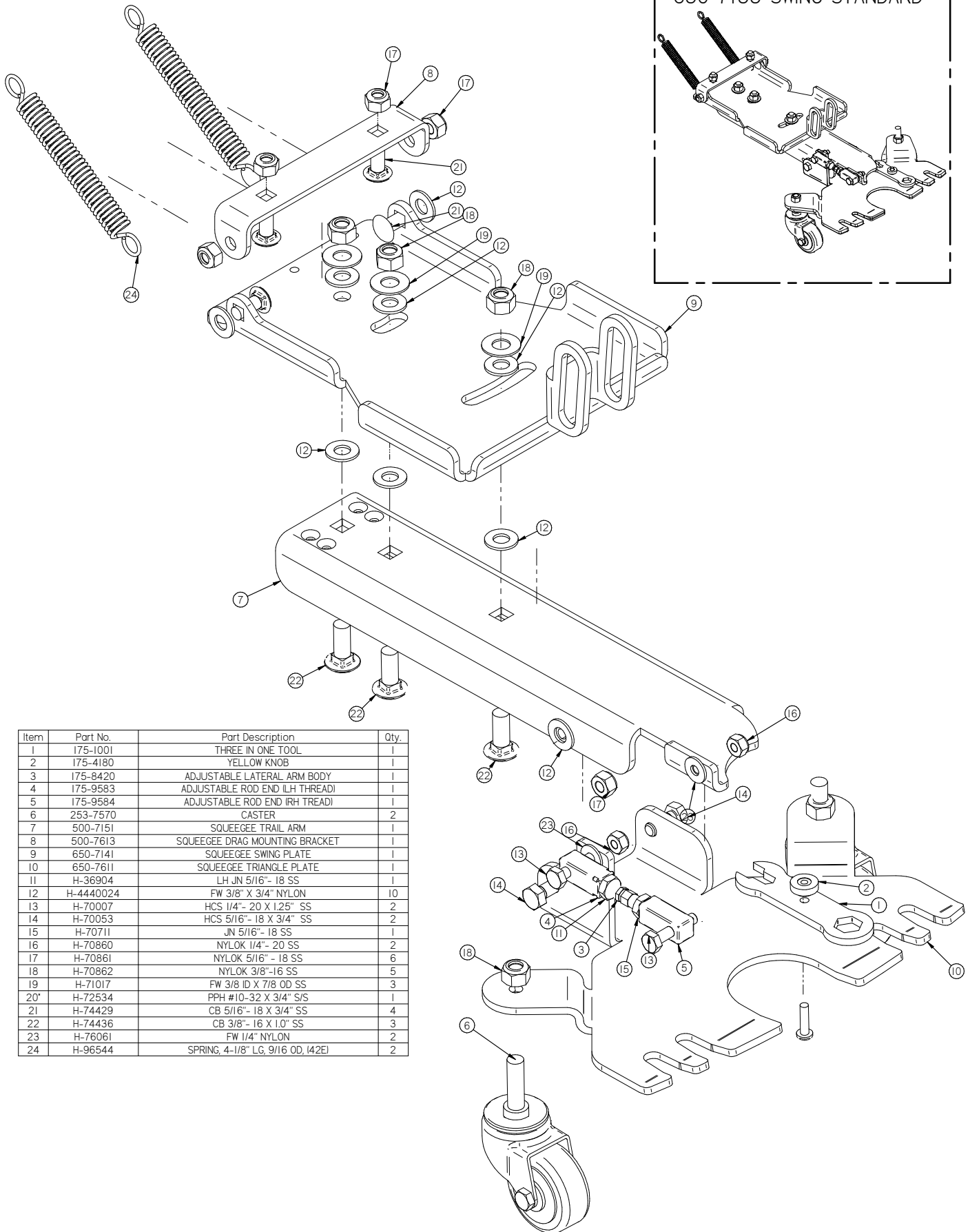
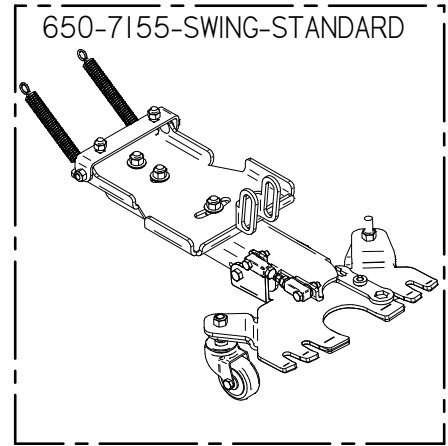
Item	Part No.	Part Description	Qty.
1	250-1230	HINGE FLANGE	1
2	250-1236	WIPER BAND	1
3	370-4060	6" LANYARD	1
4	650-1243	SHROUD VERTICAL ARM	1
5	650-1245	SHROUD SIDE	1
6	700-1236	ADJUSTABLE WIPER ARM	1
7	700-1239	ADJUSTABLE ROD END (RH TREAD)	1
8	H-0156758	3/8" X 3-1/2" CLEVIS PIN	1
9	H-0172519	CB #10-32 X 5/8" SS	1
10	H-0172526	CB 5/16"- 18 X 5/8" SS	2
11	H-70005	HCS 1/4"- 20 X 1" SS	1
12	H-70061	HCS 5/16"- 18 X 2" SS	1
13	H-70710	HN 1/4"- 20 SS	1
14	H-70858	NYLOK #10-32 SS	1
15	H-70923	KN #10-32 SS	1
16	H-71010	FW #10 ID X 11/16 OD SS	1
17	H-71015	FW 5/16 ID X 3/4 OD SS	6
18	H-71017	FW 3/8 ID X 7/8 OD SS	2
19	H-72710	FHP 1/4"- 20 X 1" SS	1
20	H-73907	FHSCS 5/16"- 18 X 3/4" SS	1
21	H-73909	FHSCS 5/16"- 18 X 1-1/4" SS	1
22	H-74419	CB 1/4"- 20 X .75" SS	5
23	H-74420	CB 1/4"- 20 X 1.0" SS	1
24	H-96544	SPRING, 4-1/8" LG X 9/16" OD (42E)	1
25	H-NJ04C	JNYL 1/4" - 20 SS	9
26	H-NJ05C	JNYL 5/16" - 18 SS	5
27	H-RUE14	3/8" RUE RING COTTER	1
28	M-92391A044	HAIRPIN, 5/16" - 3/8" X 1-7/16" S/S	1

Cylindrical Doors



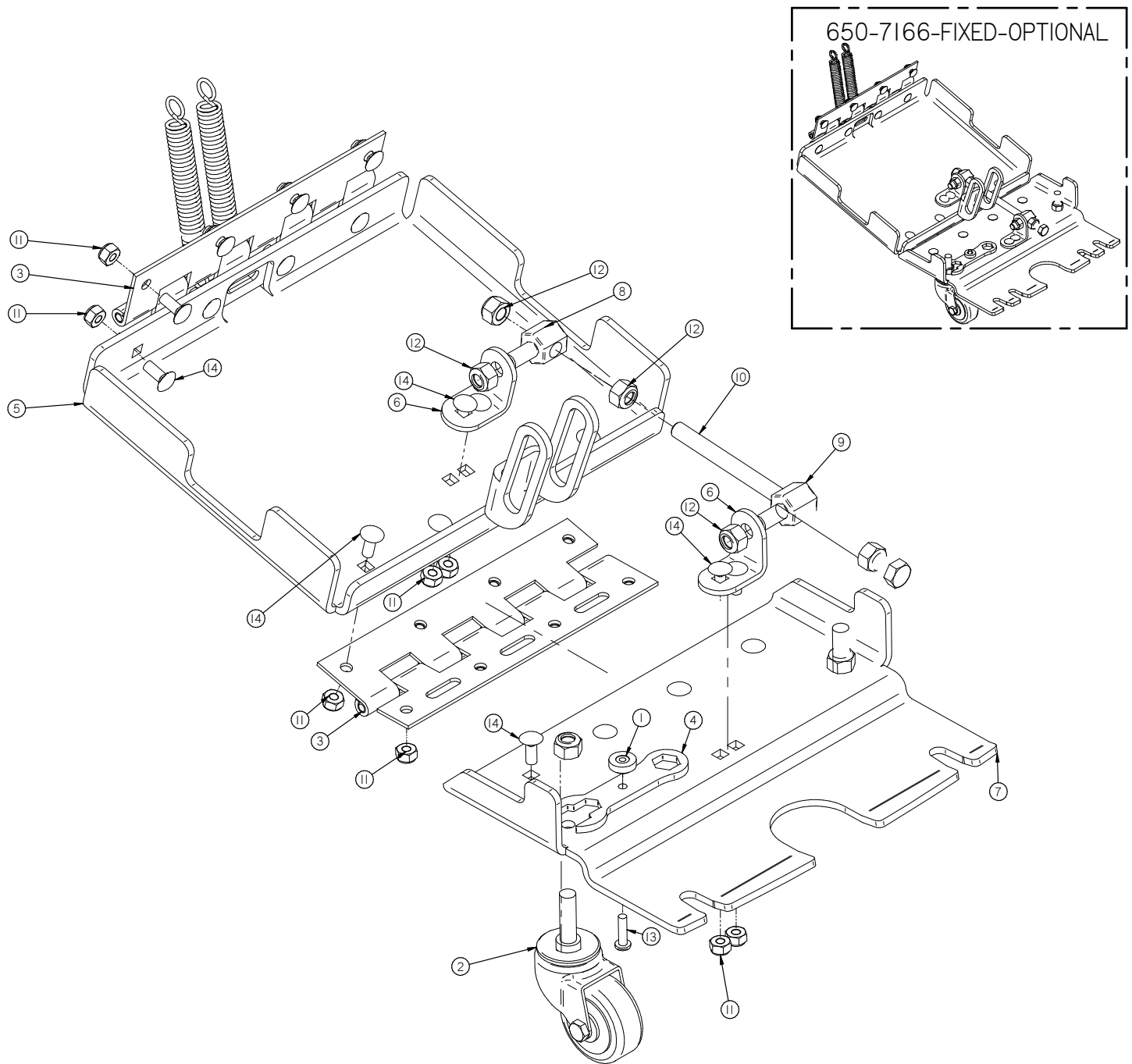
Item	Part No.	Part Description	Qty.
1	370-8241A	IDLER DRIVE BEARING	1
2	370-8373	CYLINDRICAL DRIVER SEAL	1
3	5-100	GROMMET	1
4	5-130	DOOR LATCH	1
5	600-8371	CYLINDRICAL DRIVER (HARDCOAT)	1
6	650-6022	DRIVE COVER (SSI)	1
7	H-0171004	JNYL 3/8- 24 SS	1
8	H-0953152	3/16" X 3/4" KEY	1
9	H-71017	FW 3/8 ID X 7/8 OD SS	1
10	H-72682	FHP #10-32 X 1/2" SS	4

Squeegee Trail Arm - Standard



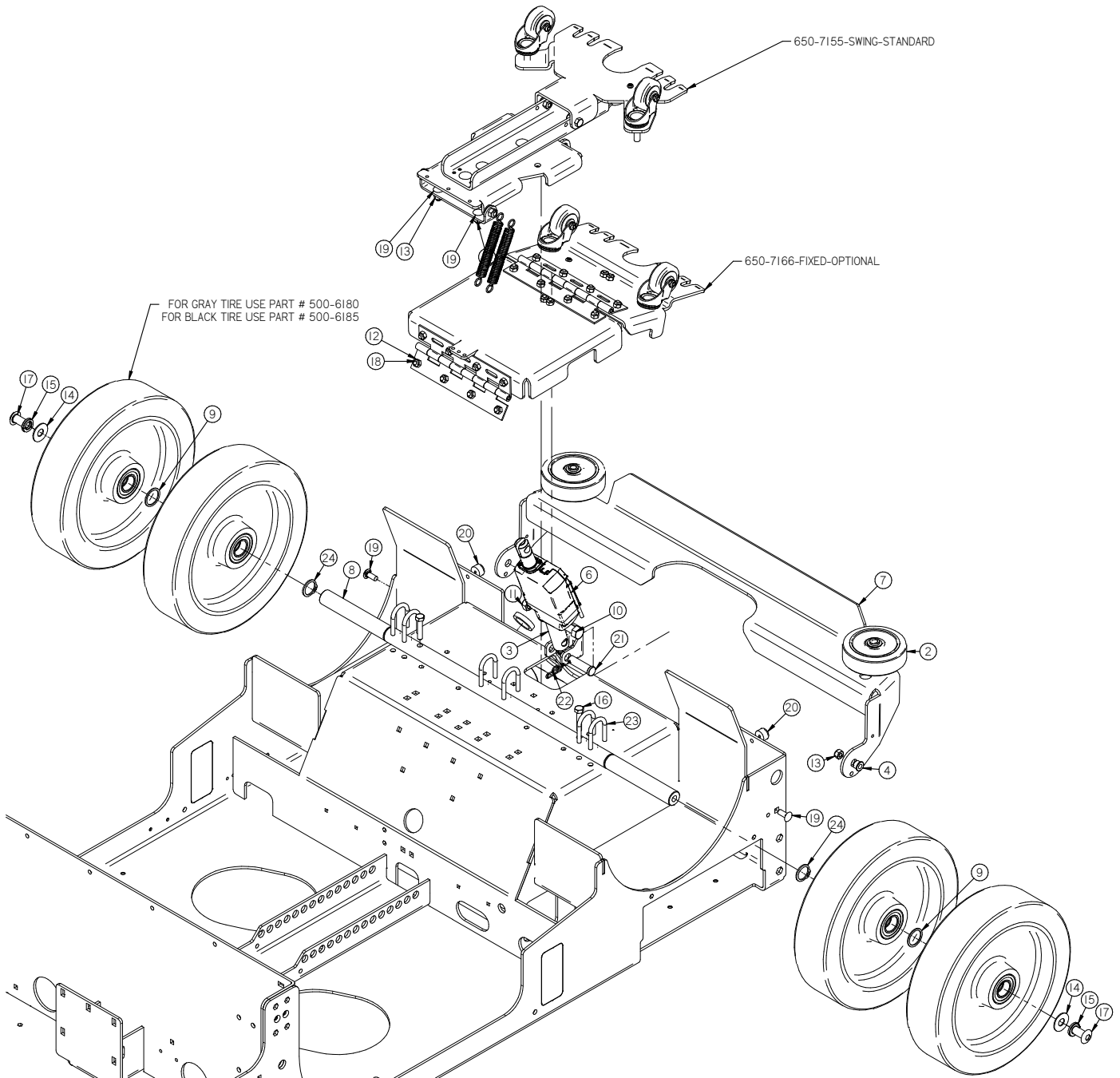
Item	Part No.	Part Description	Qty.
1	175-1001	THREE IN ONE TOOL	1
2	175-4180	YELLOW KNOB	1
3	175-8420	ADJUSTABLE LATERAL ARM BODY	1
4	175-9583	ADJUSTABLE ROD END (LH THREAD)	1
5	175-9584	ADJUSTABLE ROD END (RH TREAD)	1
6	253-7570	CASTER	2
7	500-7151	SQUEEGEE TRAIL ARM	1
8	500-7613	SQUEEGEE DRAG MOUNTING BRACKET	1
9	650-7141	SQUEEGEE SWING PLATE	1
10	650-7611	SQUEEGEE TRIANGLE PLATE	1
11	H-36904	LH JN 5/16" - 18 SS	1
12	H-4440024	FW 3/8" X 3/4" NYLON	10
13	H-70007	HCS 1/4" - 20 X 1.25" SS	2
14	H-70053	HCS 5/16" - 18 X 3/4" SS	2
15	H-70711	JN 5/16" - 18 SS	1
16	H-70860	NYLOK 1/4" - 20 SS	2
17	H-70861	NYLOK 5/16" - 18 SS	6
18	H-70862	NYLOK 3/8"-16 SS	5
19	H-71017	FW 3/8 ID X 7/8 OD SS	3
20	H-72534	PPH #10-32 X 3/4" S/S	1
21	H-74429	CB 5/16" - 18 X 3/4" SS	4
22	H-74436	CB 3/8" - 16 X 1.0" SS	3
23	H-76061	FW 1/4" NYLON	2
24	H-96544	SPRING, 4-1/8" LG, 9/16 OD, 142EJ	2

Squeegee Trail Arm - Optional



Item	Part No.	Part Description	Qty.
1	175-4180	YELLOW KNOB	1
2	253-7570	CASTER	2
3	5-122	8" SS HINGE	2
4	650-1001	THREE IN ONE TOOL	1
5	650-7143	SQUEEGEE LIFT PLATE	1
6	650-7608	SQUEEGEE ADJ BRACKET	2
7	650-7609	SQUEEGEE TRIANGLE PLATE	1
8	650-9583	ADJUSTABLE ROD END ANCHOR	1
9	650-9584	THREADED ADJUSTABLE ROD END	1
10	H-0172941	HCS 3/8"- 16 X 7" FULL THREAD SS	1
11	H-70860	NYLOK 1/4"- 20 SS	17
12	H-70862	NYLOK 3/8"-16 SS	7
13	H-72534	PPH #10-32 X 3/4" S/S	1
14	H-74418	CB 1/4"- 20 X 5/8" S/S	19
15	H-96544	SPRING, 4-1/8" LG, 9/16 OD, I42E)	2

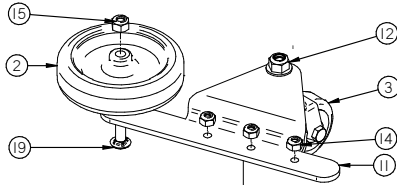
Attaching Squeegee Trail Arm, Bumper, & Axle



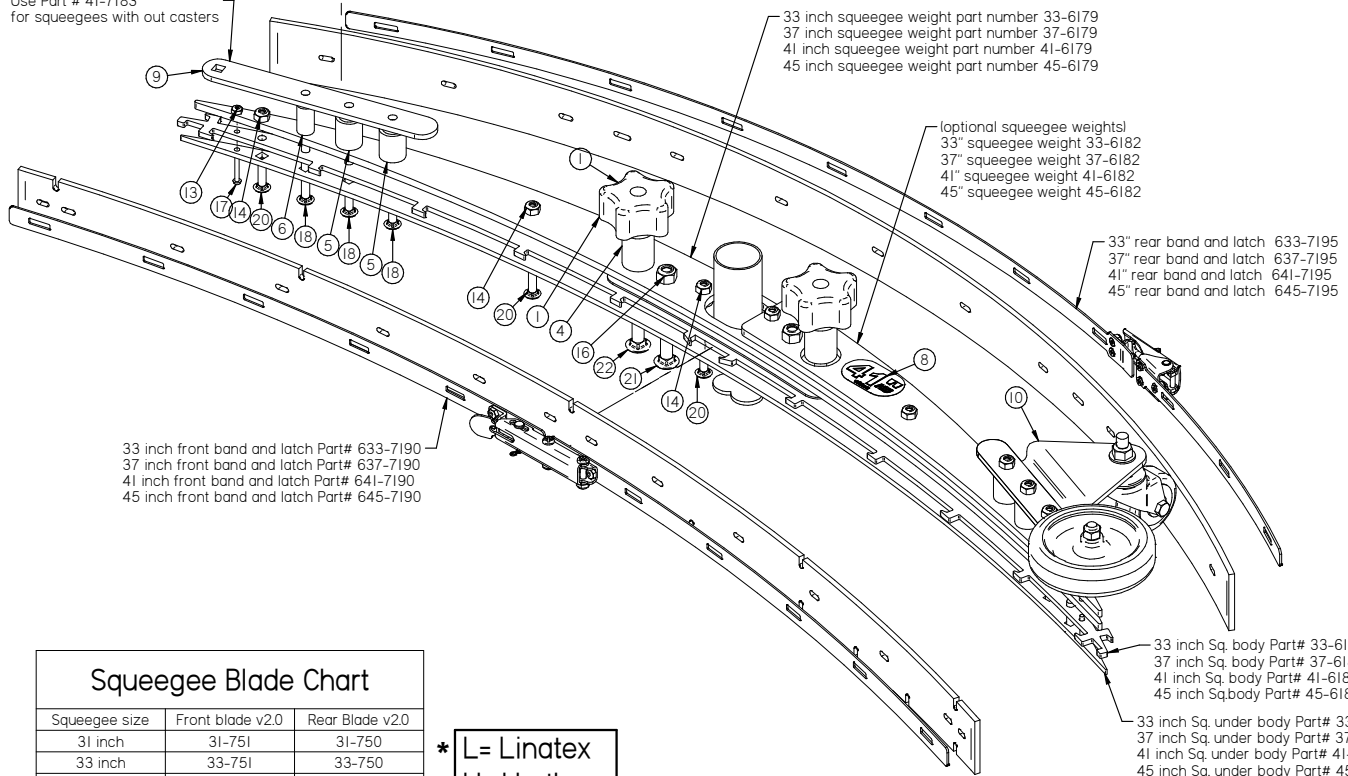
Item	Part No.	Part Description	Qty.
1	150-1006	LIFTING BRACKET	1
2	190-3030	4.0" WHEEL (GRAY)	2
3	260-2469	ACTUATOR ADAPTER	1
4	370-1245	BUSHING	2
5	370-2930	ALARM (91 dPa)	1
6	600-2210	2.0" STROKE ACTUATOR (36V 600Nm)	1
7	650-1107	SWING AWAY BUMPER/STEP	1
8	650-1271	AXLE	1
9	H-06596	FW 1.0" ID X 1-1/4" OD NYLON	2
10	H-11567651	HCS M12-1.75 X 40MM ZINK	1
11	H-40171	NYLOK M12-1.75 ZINK	1
12	H-70860	NYLOK 1/4" - 20 SS	7
13	H-70861	NYLOK 5/16" - 18 SS	9
14	H-71021	FW 1/2 ID X 1-1/4 OD SS	2
15	H-71071	LW 1/2" SS	2
16	H-71180	HCS 5/16" - 18 X 1-1/2" FULLY THREADED	2
17	H-73834	BHSCS 1/2- 13 X 1" SS	2
18	H-74418	CB 1/4" - 20 X 5/8" S/S	4
19	H-74429	CB 5/16" - 18 X 3/4" SS	4
20	H-9540	RUBBER BUMPER, 25/32"	2
21	H-CP226	1/2" X 1-3/4" CLEVIS PIN	1
22	H-RUE22	1/2" RUE RING COTTER	1
23	M-3043T13	1/4-20 X 1.0" U-BOLT	6
24	M-98585A121	1 INCH EXTERNAL RETAINING RING	2

Squeegee Assembly

Item	Part No.	Part Description	Qty.
1	150-5786	STAR KNOB, 3/8-16 THREAD	2
2	150-7600	4" SIDE WHEEL (GREY)	2
3	253-7570	CASTER	2
4	36-8460	STANDOFF, 1.25"	2
5	37-0007	SQUEEGEE ROLLER SPACER	4
6	37-0008	SQUEEGEE ROLLER SPACER	2
7	41-1310	SQUEEGEE CURTAIN (HD)	1
8	41-1600	41 inch sticker	1
9	41-7183	SQUEEGEE ROLLER BRACKET	2
10	45-7183	SQUEEGEE CASTER BRACKET (LH)	1
11	45-7184	SQUEEGEE CASTER BRACKET (RH)	1
12	H-0129152A	FLANGED NUT 3/8-16	2
13	H-70855	NYLOK #6-32 SS	2
14	H-70860	NYLOK 1/4"- 20 SS	12
15	H-70861	NYLOK 5/16"- 18 SS	2
16	H-70862	NYLOK 3/8"-16 SS	2
17	H-72390	PPH #6-32 X 1" MS S/S	2
18	H-74397	CB 1/4"- 20 X 2-1/4" SS	6
19	H-74401	CB 5/16"- 18 X 1-3/4" SS	2
20	H-74420	CB 1/4"- 20 X 1.0" SS	6
21	H-74437	CB 3/8"- 16 X 1-1/4" SS	2
22	H-74441	CB 3/8"- 16 X 3.0" SS	2



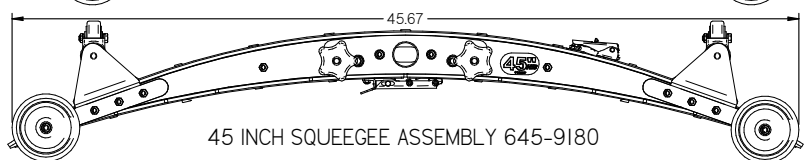
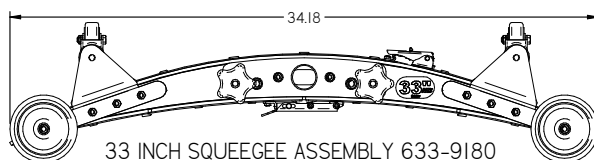
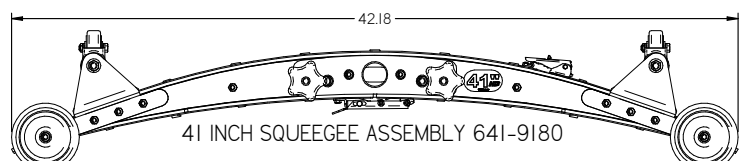
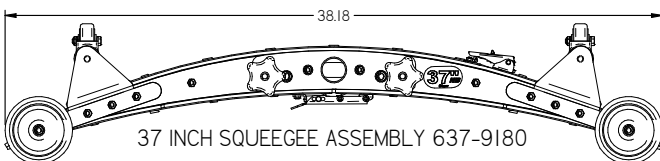
Use Part # 41-7183 for squeegees with out casters

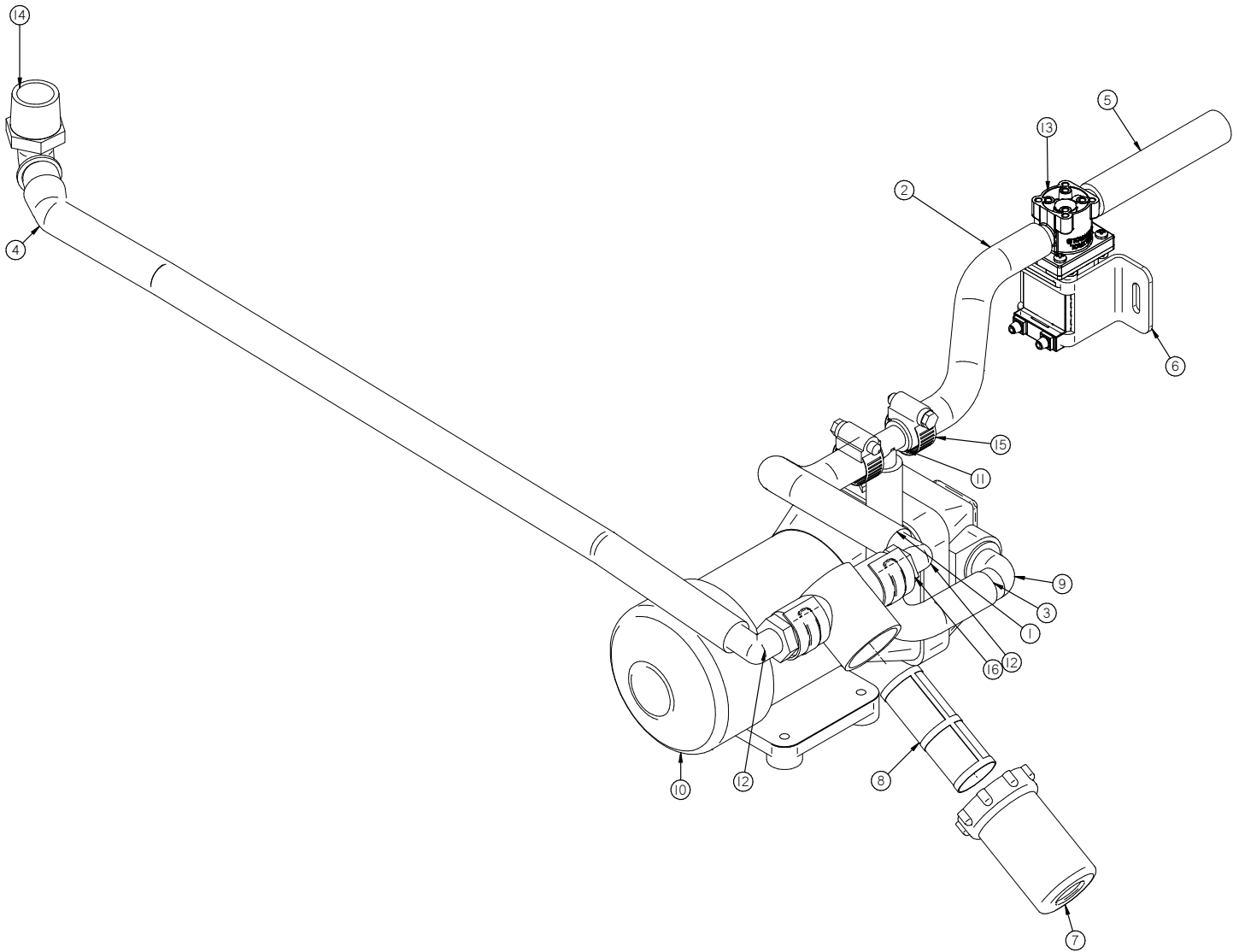


Squeegee Blade Chart

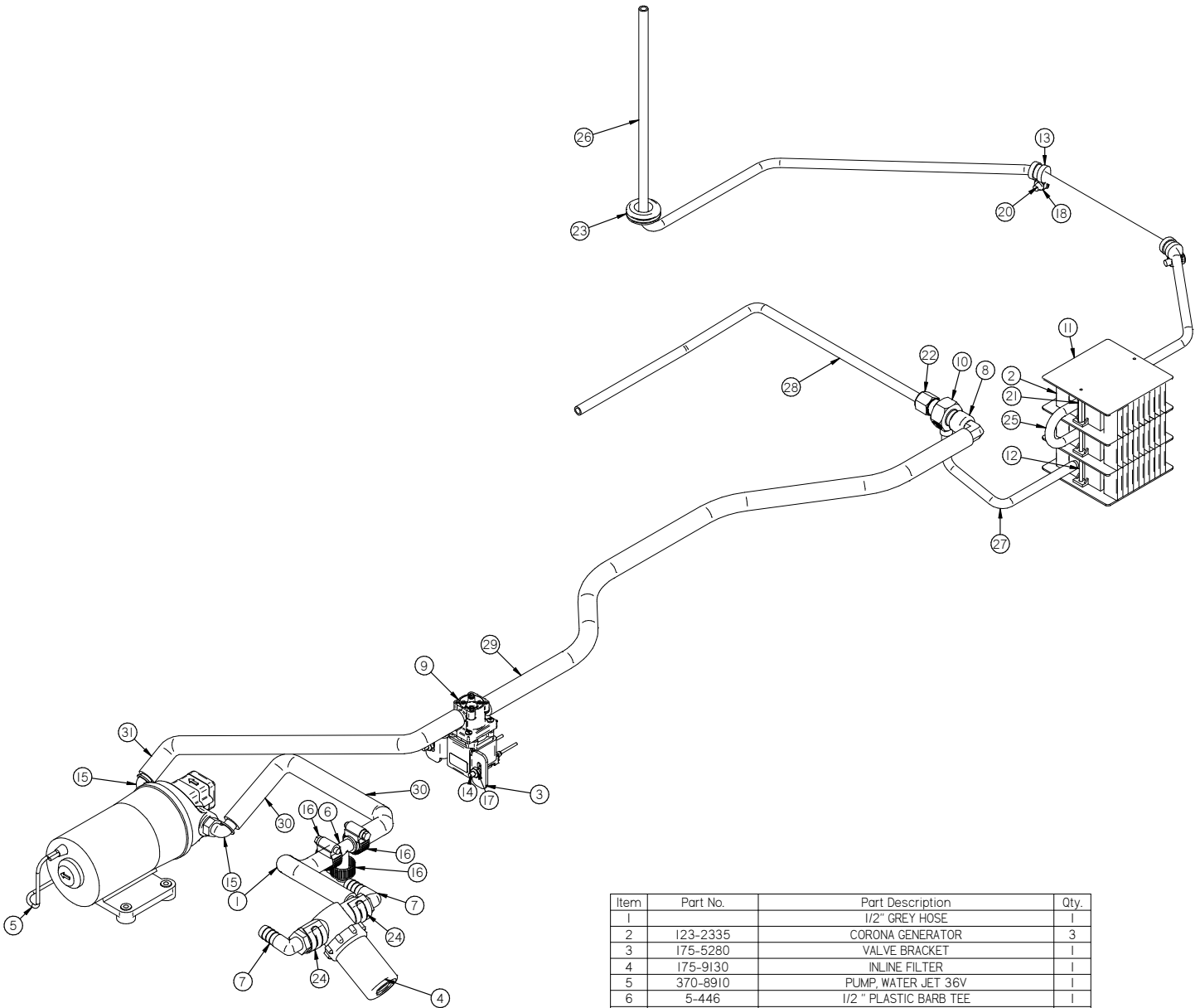
Squeegee size	Front blade v2.0	Rear Blade v2.0
31 inch	31-751	31-750
33 inch	33-751	33-750
37 inch	37-751	37-750
41 inch	41-751	41-750
45 inch	45-751	45-750

* L= Linatex
 U= Urethane



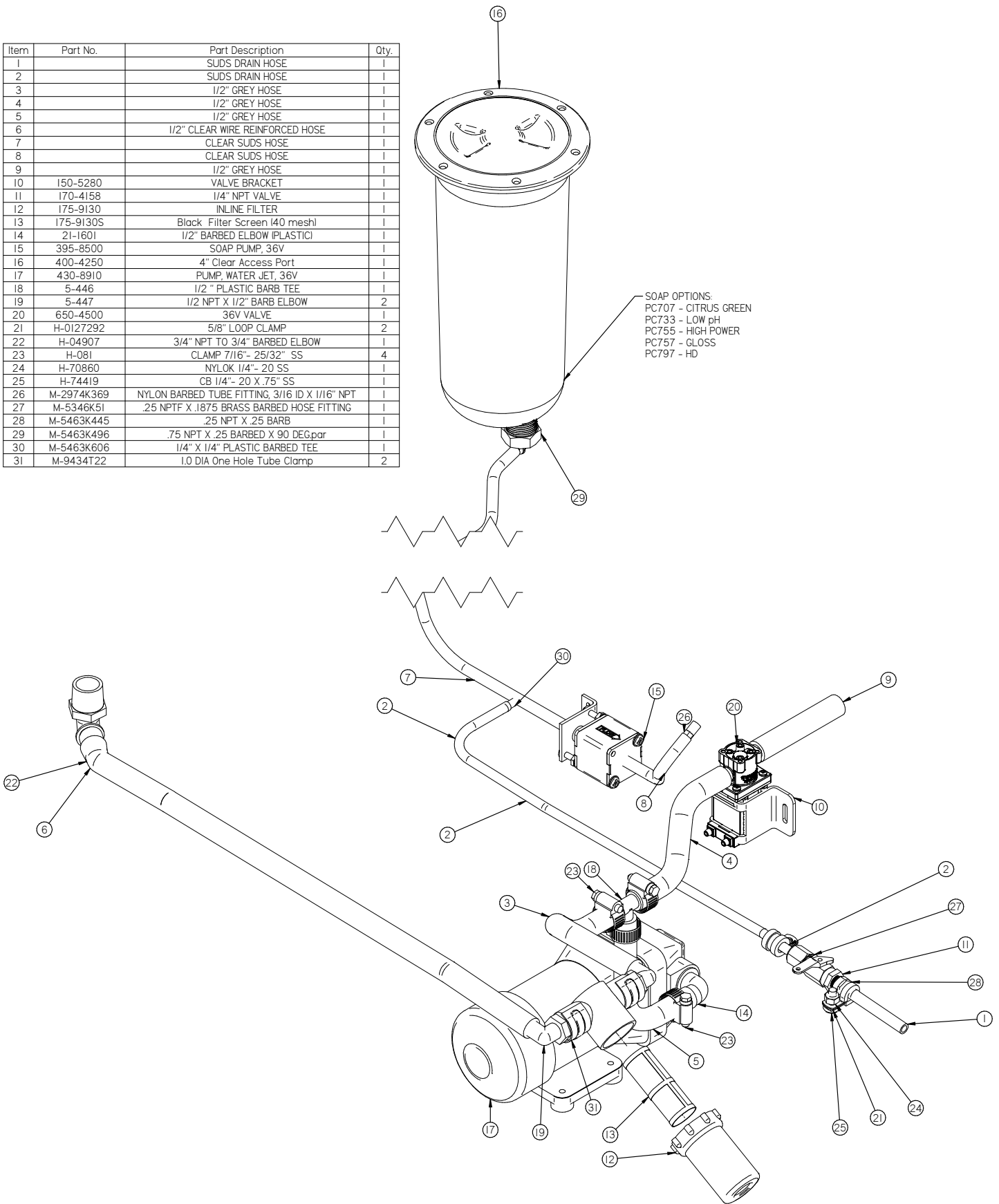


Item	Part No.	Part Description	Qty.
1		1/2" GREY HOSE	1
2		1/2" GREY HOSE	1
3		1/2" GREY HOSE	1
4		1/2" CLEAR WIRE REINFORCED HOSE	1
5		1/2" GREY HOSE	1
6	150-5280	VALVE BRACKET	1
7	175-9130	INLINE FILTER	1
8	175-9130S	Black Filter Screen (40 mesh)	1
9	21-1601	1/2" BARBED ELBOW (PLASTIC)	1
10	430-8910	PUMP, WATER JET, 36V	1
11	5-446	1/2" PLASTIC BARB TEE	1
12	5-447	1/2 NPT X 1/2" BARB ELBOW	2
13	650-4500	36V VALVE	1
14	H-04907	3/4" NPT TO 3/4" BARBED ELBOW	1
15	H-081	CLAMP 7/16"- 25/32" SS	2
16	M-9434T22	1.0 DIA One Hole Tube Clamp	2

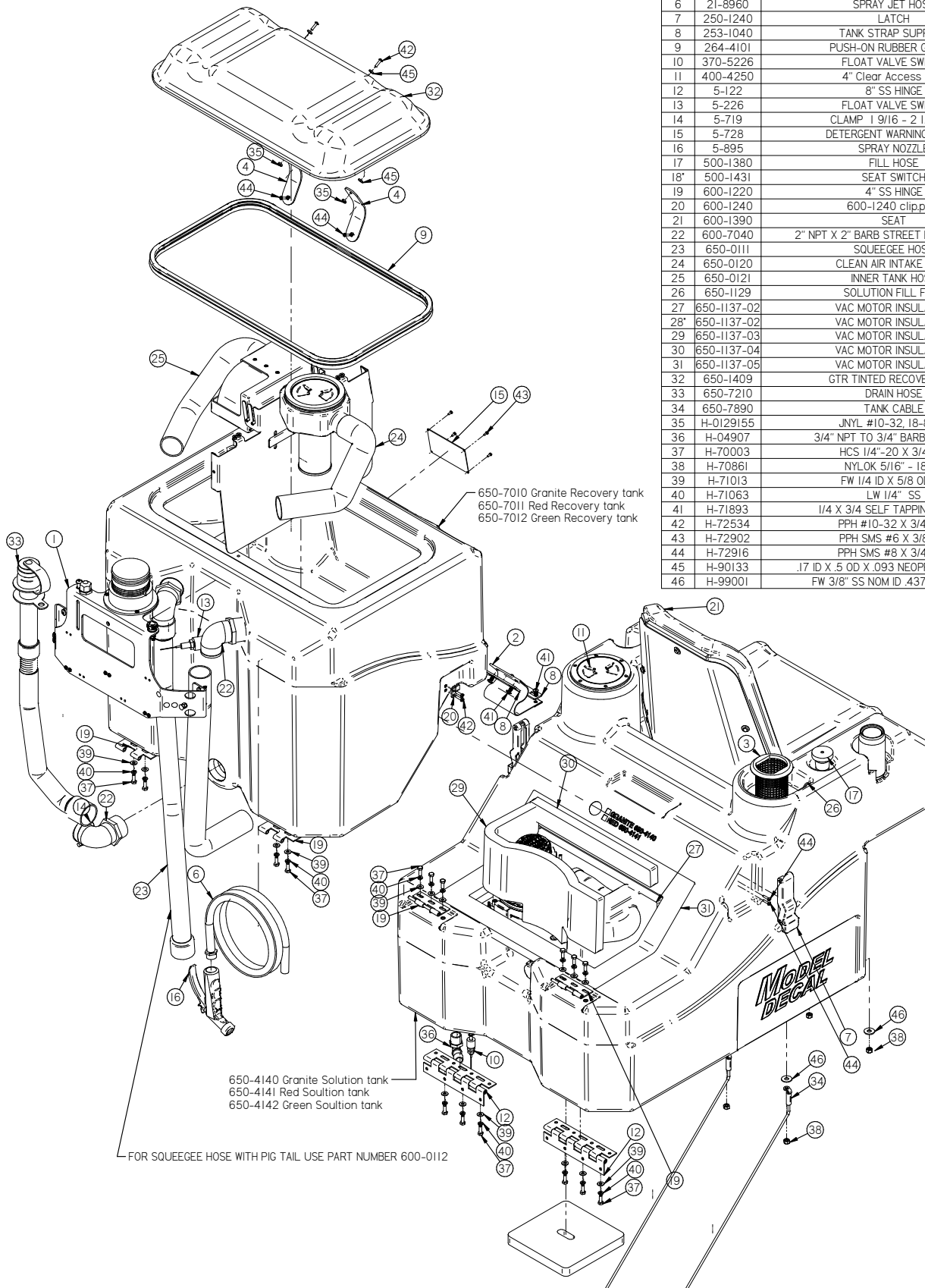


Item	Part No.	Part Description	Qty.
1		1/2" GREY HOSE	1
2	123-2335	CORONA GENERATOR	3
3	175-5280	VALVE BRACKET	1
4	175-9130	INLINE FILTER	1
5	370-8910	PUMP, WATER JET 36V	1
6	5-446	1/2" PLASTIC BARB TEE	1
7	5-447	1/2 NPT X 1/2" BARB ELBOW	2
8	5346K126	90 Degree Elbow for 1/2" Hose ID x 3/8" NPTF Female Pipe	1
9	650-4500	36V VALVE	1
10	650-8500	LT BLUE INJECTOR	1
11	700-2336	GENERATOR INSULATOR	4
12	H-	PPH #6-32 X 4" MS S/S	1
13	H-0127290	1/2" LOOP CLAMP	2
14	H-0172519	CB #10-32 X 5/8" SS	2
15	H-04763	ELBOW, 90 DEG X 3/8" MNPT X 1/2" BARB, NYLON	2
16	H-081	CLAMP 7/16"- 25/32" SS	3
17	H-70858	NYLOK #10-32 SS	2
18	H-70860	NYLOK 1/4"- 20 SS	2
19	H-74418	CB 1/4"- 20 X 5/8" S/S	1
20	H-74419	CB 1/4"- 20 X .75" SS	2
21	H-91115A135	6-32 X 1-1/2" STANDOFF	2
22	M-5346K52	.375 NPT X .25 BRASS BARBED HOSE FITTING	1
23	M-9307K82	GROMMET, 3/4" ID X 1-3/8" OD BUNA-N	1
24	M-9434T22	1.0 DIA One Hole Tube Clamp	2
25	T-025CS6000	BULK 1/4" ID X 5' CLEAR SILICONE ZERO HOSE	1
26	T-025CS6000	BULK 1/4" ID X 5' CLEAR SILICONE ZERO HOSE	1
27	T-025CS6000	BULK 1/4" ID X 5' CLEAR SILICONE ZERO HOSE	1
28	T-025CS6000	BULK 1/4" ID X 5' CLEAR SILICONE ZERO HOSE	1
29	T-050R6000	BULK 1/2" ID X 5' WIRE REINFORCED SOLTION HOSE	1
30	T-050R6000	BULK 1/2" ID X 5' WIRE REINFORCED SOLTION HOSE	1
31	T-050R6000	BULK 1/2" ID X 5' WIRE REINFORCED SOLTION HOSE	1

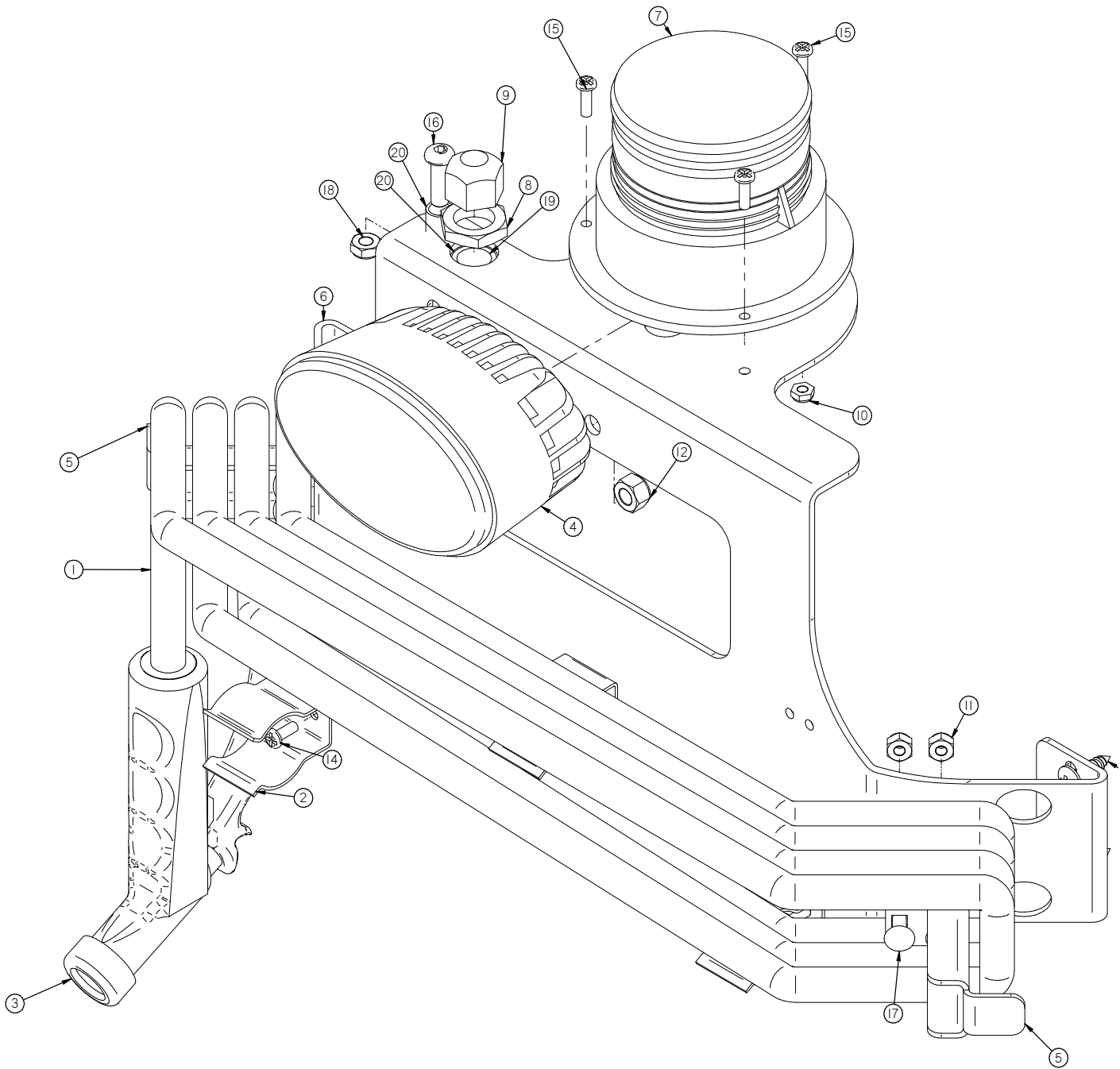
Item	Part No.	Part Description	Qty.
1		SUDS DRAIN HOSE	1
2		SUDS DRAIN HOSE	1
3		1/2" GREY HOSE	1
4		1/2" GREY HOSE	1
5		1/2" GREY HOSE	1
6		1/2" CLEAR WIRE REINFORCED HOSE	1
7		CLEAR SUDS HOSE	1
8		CLEAR SUDS HOSE	1
9		1/2" GREY HOSE	1
10	150-5280	VALVE BRACKET	1
11	170-4158	1/4" NPT VALVE	1
12	175-9130	INLINE FILTER	1
13	175-9130S	Black Filter Screen (40 mesh)	1
14	21-1601	1/2" BARBED ELBOW (PLASTIC)	1
15	395-8500	SOAP PUMP, 36V	1
16	400-4250	4" Clear Access Port	1
17	430-8910	PUMP, WATER JET, 36V	1
18	5-446	1/2" PLASTIC BARB TEE	1
19	5-447	1/2 NPT X 1/2" BARB ELBOW	2
20	650-4500	36V VALVE	1
21	H-0127292	5/8" LOOP CLAMP	2
22	H-04907	3/4" NPT TO 3/4" BARBED ELBOW	1
23	H-081	CLAMP 7/16"- 25/32" SS	4
24	H-70860	NYLON 1/4"- 20 SS	1
25	H-74419	CB 1/4"- 20 X .75" SS	1
26	M-2974K369	NYLON BARBED TUBE FITTING, 3/16 ID X 1/16" NPT	1
27	M-5346K51	.25 NPTF X .1875 BRASS BARBED HOSE FITTING	1
28	M-5463K445	.25 NPT X .25 BARB	1
29	M-5463K496	.75 NPT X .25 BARBED X 90 DEG.par	1
30	M-5463K606	1/4" X 1/4" PLASTIC BARBED TEE	1
31	M-9434T22	1.0 DIA One Hole Tube Clamp	2



Solution & Recovery Tank



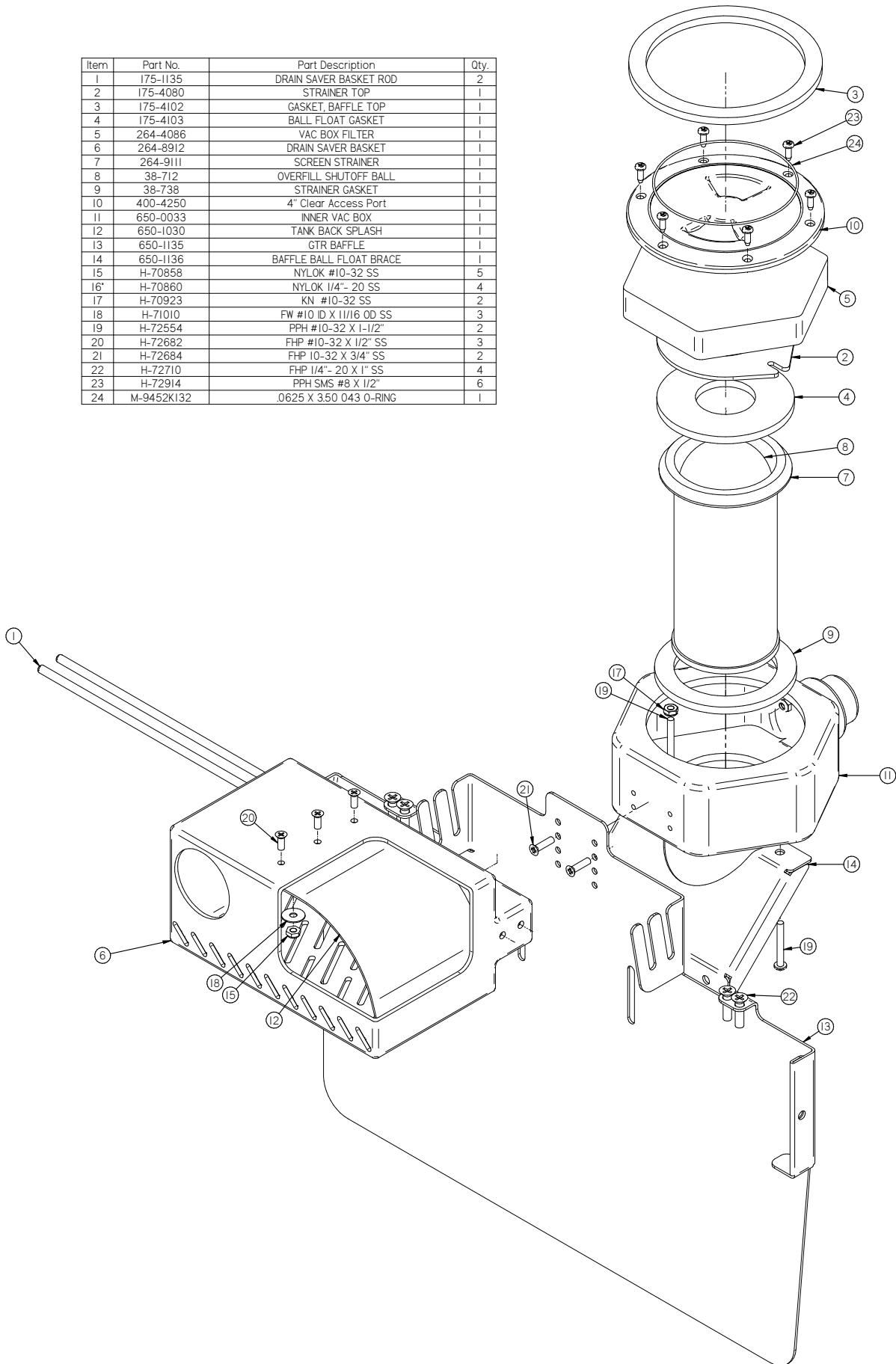
Item	Part No.	Part Description	Qty.
1		SUB # 10739 GTR UTILITY BRACKET	1
2	170-1045	TANK STRAP, 22" LG X 4" WIDE	1
3	170-8911	SCREEN STRAINER, 4-1/4" LG	1
4	175-1412	TANK LID STRAP W/GROMMETS	2
5*	21-1608	1/2" BARB X 3/4" NPT	1
6	21-8960	SPRAY JET HOSE	1
7	250-1240	LATCH	2
8	253-1040	TANK STRAP SUPPORT	2
9	264-4101	PUSH-ON RUBBER GASKET	1
10	370-5226	FLOAT VALVE SWITCH	1
11	400-4250	4" Clear Access Port	1
12	5-122	8" SS HINGE	2
13	5-226	FLOAT VALVE SWITCH	1
14	5-719	CLAMP 1 9/16 - 2 1/2" SS	1
15	5-728	DETERGENT WARNING PLATE	1
16	5-895	SPRAY NOZZLE	1
17	500-1380	FILL HOSE	1
18*	500-1431	SEAT SWITCH	1
19	600-1220	4" SS HINGE	2
20	600-1240	600-1240 clip.psm	2
21	600-1390	SEAT	1
22	600-7040	2" NPT X 2" BARB STREET ELBOW, BLACK	3
23	650-0111	SQUEEGEE HOSE	1
24	650-0120	CLEAN AIR INTAKE HOSE	1
25	650-0121	INNER TANK HOSE	1
26	650-1129	SOLUTION FILL FLAP	1
27	650-1137-02	VAC MOTOR INSULATION	1
28*	650-1137-02	VAC MOTOR INSULATION	1
29	650-1137-03	VAC MOTOR INSULATION	1
30	650-1137-04	VAC MOTOR INSULATION	1
31	650-1137-05	VAC MOTOR INSULATION	1
32	650-1409	GTR TINTED RECOVERY LID	1
33	650-7210	DRAIN HOSE	1
34	650-7890	TANK CABLE	2
35	H-0129155	JNYL #10-32, 18-8 S/S	2
36	H-04907	3/4" NPT TO 3/4" BARBED ELBOW	1
37	H-70003	HCS 1/4"-20 X 3/4" SS	16
38	H-70861	NYLOK 5/16" - 18 SS	4
39	H-71013	FW 1/4 ID X 5/8 OD SS	16
40	H-71063	LW 1/4" SS	16
41	H-71893	1/4 X 3/4 SELF TAPPING SCREW	4
42	H-72534	PPH #10-32 X 3/4" S/S	6
43	H-72902	PPH SMS #6 X 3/8" SS	4
44	H-72916	PPH SMS #8 X 3/4" SS	6
45	H-90133	.17 ID X .5 OD X .093 NEOPRENE WASHER	3
46	H-99001	FW 3/8" SS NOM ID .4375 X OD 1.0	4

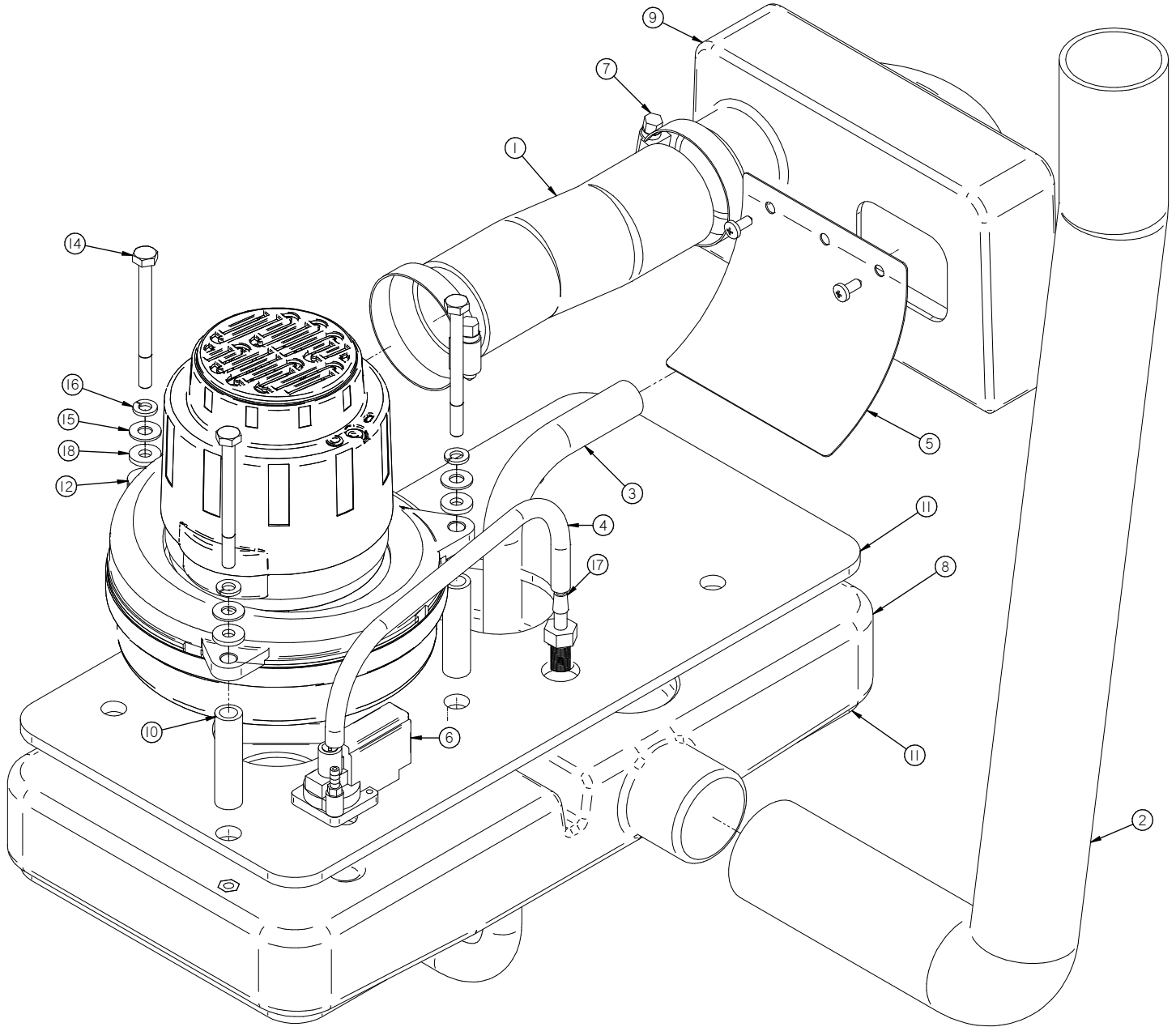


Item	Part No.	Part Description
1		SPRAY JET HOSE
2	5-886	WAND CLIP
3	5-895	SPRAY NOZZLE
4	650-2910	BLUE WARNING LIGHT
5	650-4043	HOSE WRAP
6	650-7180	TANK UTILITY HANDLE
7	8-293	STROBE LIGHT
8	H-68600	1/2" NPT BRASS NUT
9	H-69843	.50 NPT CAP
10	H-70858	NYLOK #10-32 SS
11	H-70860	NYLOK 1/4"-20 SS
12	H-70862	NYLOK 3/8"-16 SS
13	H-71894	#14 X 1" SELF TAPPING SCREW
14	H-72515	PPH #10-32 X 1/2" S/S
15	H-72517	PPH #10-32 X 5/8" SS

Tank Baffle

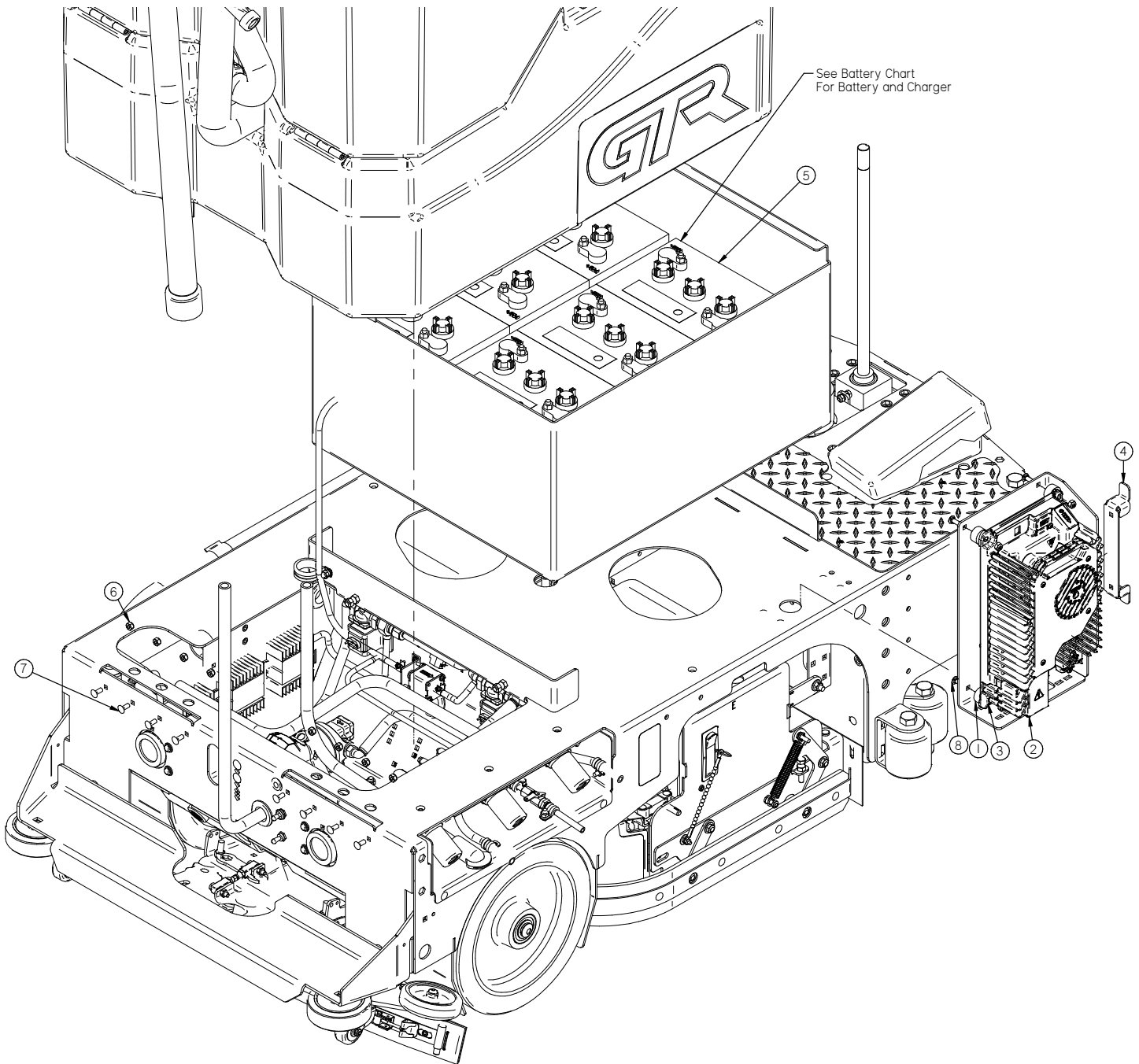
Item	Part No.	Part Description	Qty.
1	175-1135	DRAIN SAVER BASKET ROD	2
2	175-4080	STRAINER TOP	1
3	175-4102	GASKET, BAFFLE TOP	1
4	175-4103	BALL FLOAT GASKET	1
5	264-4086	VAC BOX FILTER	1
6	264-8912	DRAIN SAVER BASKET	1
7	264-9111	SCREEN STRAINER	1
8	38-712	OVERFILL SHUTOFF BALL	1
9	38-738	STRAINER GASKET	1
10	400-4250	4" Clear Access Port	1
11	650-0033	INNER VAC BOX	1
12	650-1030	TANK BACK SPLASH	1
13	650-1135	GTR BAFFLE	1
14	650-1136	BAFFLE BALL FLOAT BRACE	1
15	H-70858	NYLOK #10-32 SS	5
16	H-70860	NYLOK 1/4"- 20 SS	4
17	H-70923	KN #10-32 SS	2
18	H-71010	FW #10 ID X 11/16 OD SS	3
19	H-72554	PPH #10-32 X 1-1/2"	2
20	H-72682	FHP #10-32 X 1/2" SS	3
21	H-72684	FHP 10-32 X 3/4" SS	2
22	H-72710	FHP 1/4"- 20 X 1" SS	4
23	H-72914	PPH SMS #8 X 1/2"	6
24	M-9452K132	.0625 X 3.50 O43 O-RING	1





Item	Part No.	Part Description	Qty.
1		2" HOSE	1
2		CLEANAIR INTAKE	1
3		VAC BOX DRAIN	1
4		VAC SWITCH HOSE	1
5	175-1029	TANK BACK SPLASH	1
6	390-2328	SWITCH, VACUUM SHUTOFF	1
7	5-719	CLAMP 1 9/16 - 2 1/2" SS	2
8	650-1146	GTR VAC BOX	1
9	650-1148	GTR VAC MUFFLER WALL	1
10	650-2600	SPACER, 2-1/8" LG	3
11	650-3001	VAC MOTOR GASKET	2
12	650-5250	36 V VAC MOTOR	1
13	H-175216	PPH SMS #10 X 1/2" SBO	2
14	H-70015	HCS 1/4"- 20 X 3.0" SS	3
15	H-71013	FW 1/4 ID X 5/8 OD SS	3
16	H-71063	LW 1/4" SS	3
17	M-5463K439	.25 NPT X .125 BARB	1
18	M-90130A029	.25" NEOPRENE WASHER	3

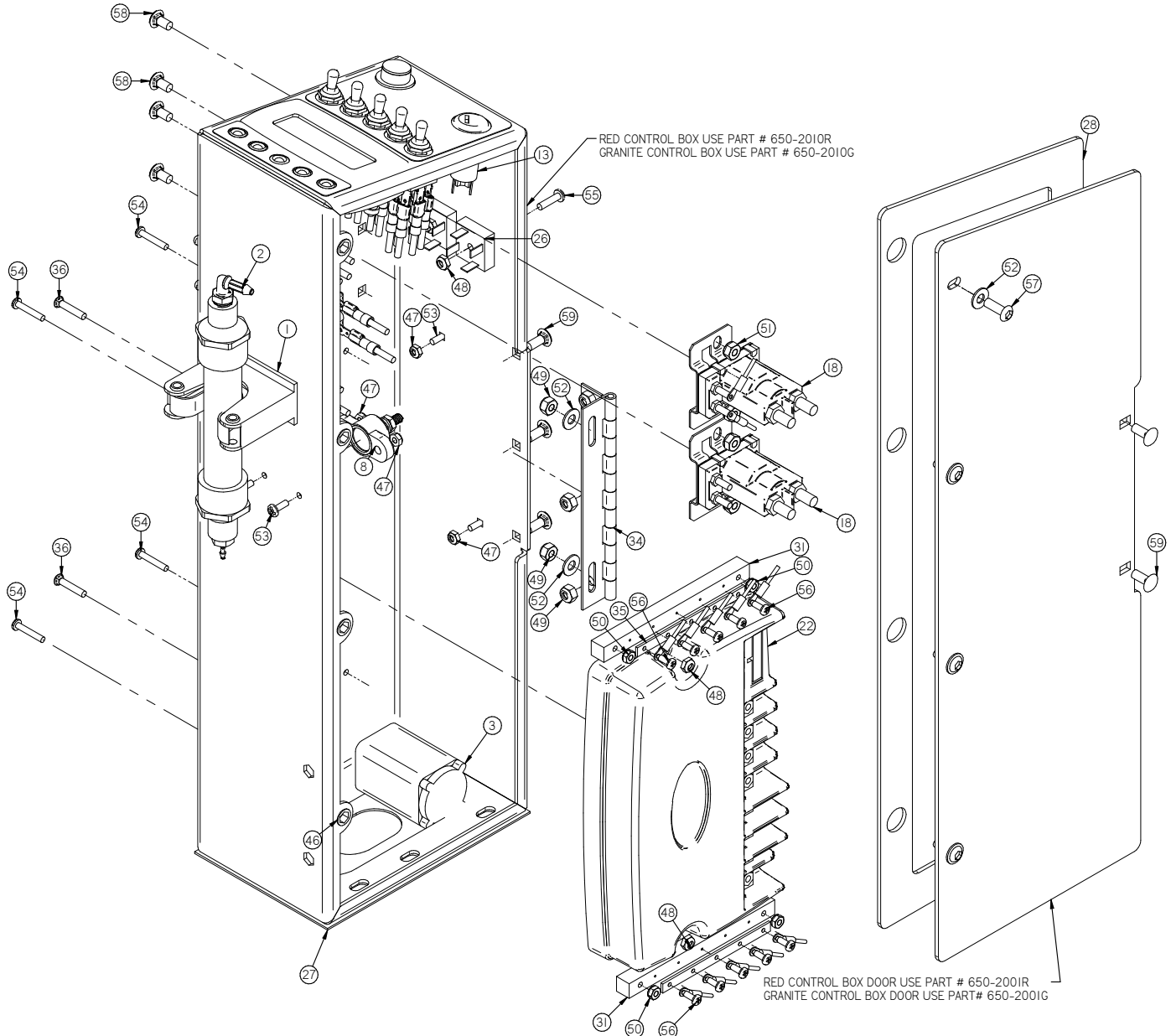
Attaching Tanks & Batteries



Item	Part No.	Part Description	Qty.
1	650-0103	1X1/2X1/4-20 (F5D) FEMALE ISOLATOR	3
2	650-2440	ON BOARD CHARGER 1200-36V	1
3	650-2451	CHARGER MOUNT	1
4	650-4042	CORD WRAP	1
5	7-210	(6) J305G BATTERIES	1
6	H-70860	NYLOK 1/4"- 20 SS	12
7	H-74418	CB 1/4"- 20 X 5/8" S/S	8
8	H-74420	CB 1/4"- 20 X 1.0" SS	8

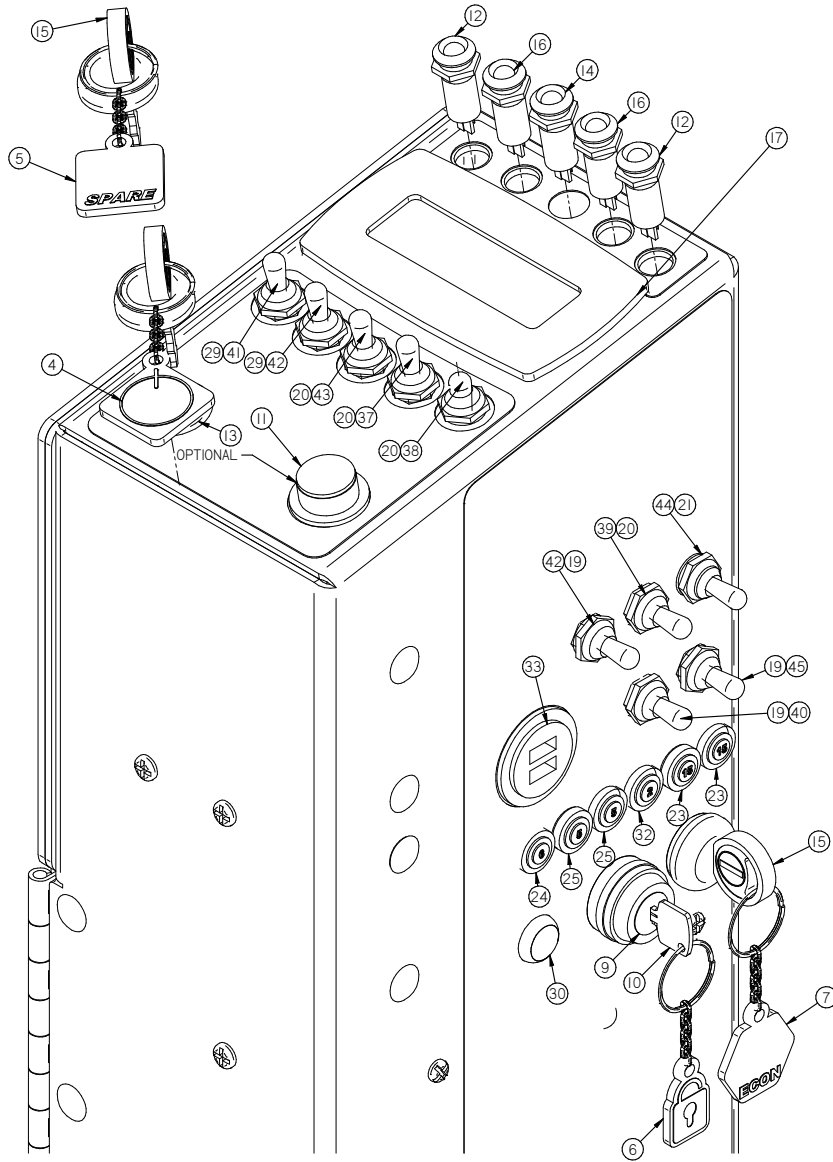
WHICH BATTERY CHARGER TO USE WITH BATTERY SELECTION

Battery Part Number & Description	Console Charger / North America	Onboard Charger / North America / International
250-2113 (6V / 245AH - WET)	250-2540 (36VDC / 25A)	370-2460 (36VDC / 33A)
370-2117 (6V / 310AH - WET)	370-2540 (36VDC / 30A)	370-2460 (36VDC / 33A)
253-2112 (6V / 360AH - WET)	370-2540 (36VDC / 30A)	370-2460 (36VDC / 33A)
250-2120 (6V / 250AH - AGM)	N/A	370-2460 (36VDC / 33A)
370-2120 (6V / 335AH - AGM)	N/A	370-2460 (36VDC / 33A)

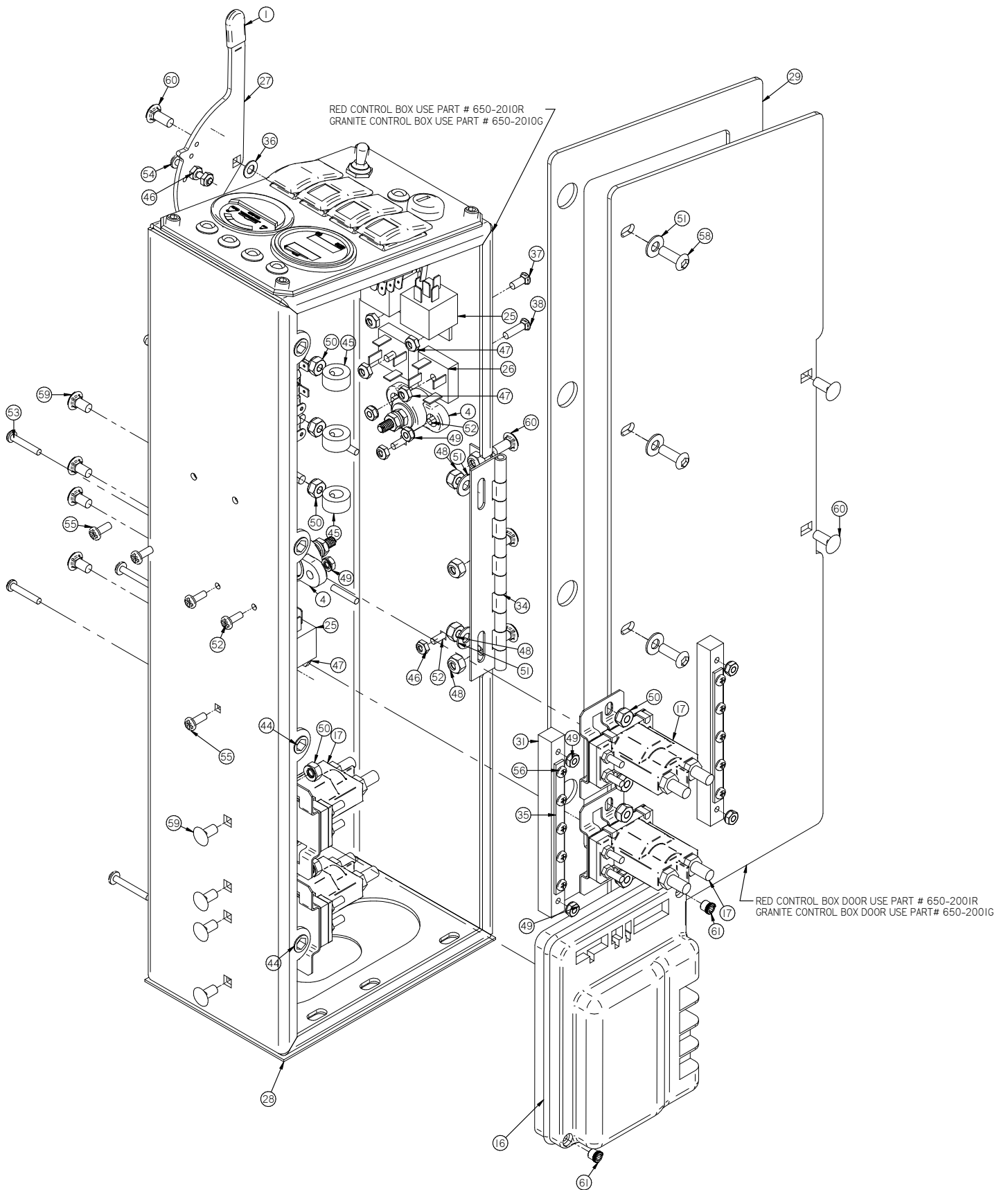


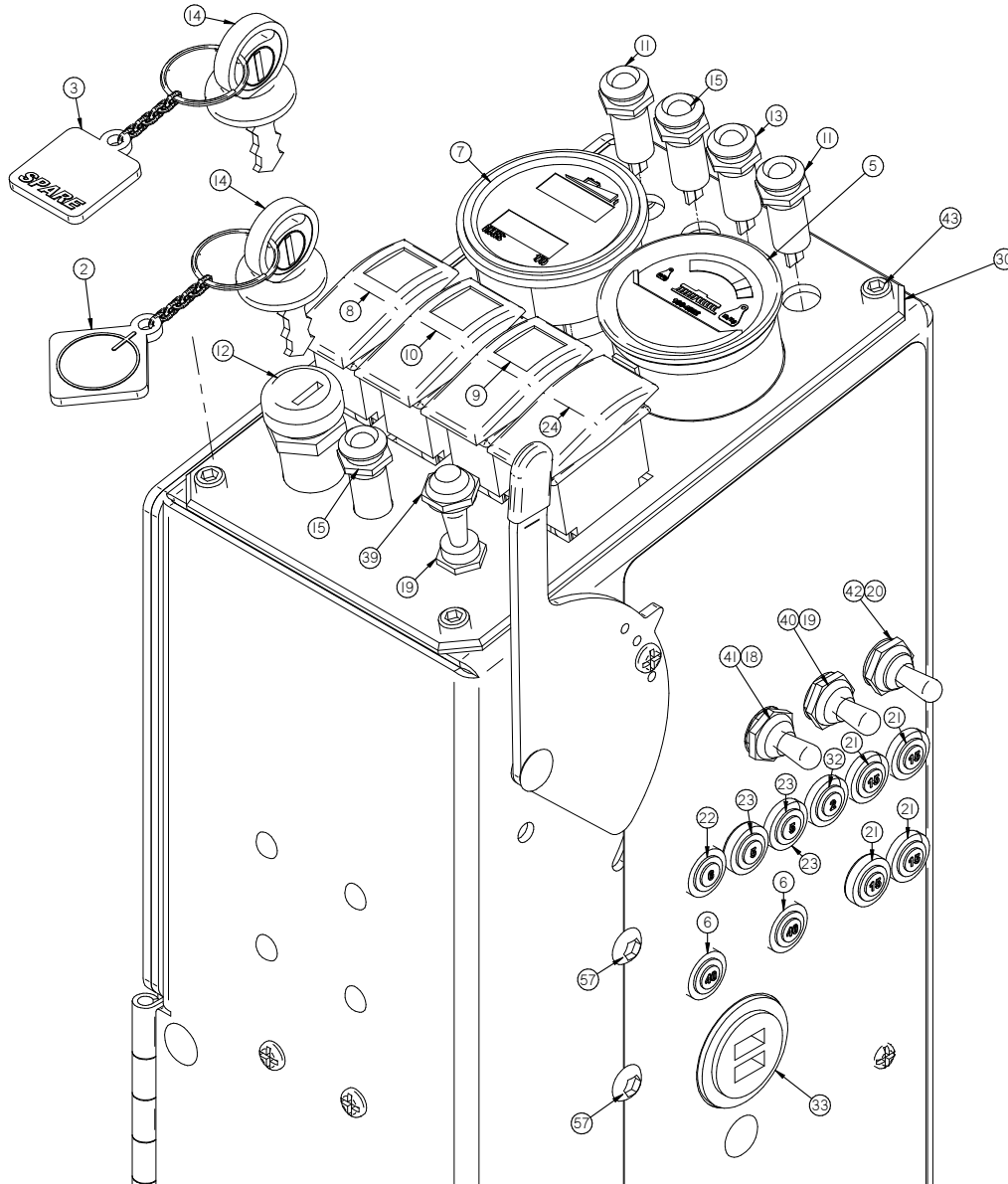
Item	Part No.	Part Description	Qty.	Item	Part No.	Part Description	Qty.
1	123-8860	HOSE BRACKET HOLDER	1	31	7-287	BUSS BAR UHMW	2
2	123-9134	AIR DRYER	1	32	7-837	FUSE RESETTABLE 2 AMP	1
3	170-8500	HEATER	1	33	700-2590	DUAL USB PORTS	1
4	175-2352	POWER KEY FOB	1	34	8-180	HINGE, 6-7/8" S/S	1
5	175-2352	SPARE KEY FOB	1	35	E-5HBB	5 HOLE BUSS BAR	2
6	175-2352	MANAGER LOCK OUT KEY FOB	1	36	H-0172521	CB #10-32 X 1" SS	2
7	175-2352	ECON KEY FOB	1	37	H-11195	PROTECTIVE BOOT, TOGGLE SWITCH, (WHITE)	1
8	175-2700	NEG INSULATOR POST (BLACK)	1	38	H-11196	PROTECTIVE BOOT, TOGGLE SWITCH, (RED)	1
9	264-234	LOCKOUT KEY SWITCH	1	39	H-11197	PROTECTIVE BOOT, TOGGLE SWITCH, (YELLOW)	1
10	264-234A	MANGER LOCK OUT KEY	1	40	H-11198	PROTECTIVE BOOT, TOGGLE SWITCH, (GREEN)	1
11	290-2015	ONE TOUCH BUTTON	1	41	H-11199	PROTECTIVE BOOT, TOGGLE SWITCH, (BLUE)	1
12	290-2330	RED LIGHT	2	42	H-11200	PROTECTIVE BOOT, TOGGLE SWITCH, (BLACK)	2
13	290-234	KEY SWITCH (WITH KEY)	2	43	H-11201	PROTECTIVE BOOT, TOGGLE SWITCH, (GRAY)	1
14	290-2340	GREEN LIGHT	1	44	H-11202	PROTECTIVE BOOT, TOGGLE SWITCH, (ORANGE)	1
15	290-234A	KEY SET (REPLACE)	3	45	H-11203	PROTECTIVE BOOT, TOGGLE SWITCH, (PURPLE)	1
16	290-2350	YELLOW LIGHT	2	46	H-250HCN	HCN 1/4"-20	4
17	290-2891	LCD SCREEN	1	47	H-70856	NYLOK #8-32 SS	4
18	370-2331	RELAY, 36V, SMALL W/FLAT MTG PLATE	2	48	H-70858	NYLOK #10-32 SS	6
19	370-2831	SWITCH, TOGGLE, ON/OFF/ON (DPDT)	3	49	H-70860	NYLOK 1/4" - 20 SS	5
20	370-8210	SWITCH, TOGGLE, ON/ON (DPDT)	4	50	H-70922	KN #8-32	4
21	370-8920	TOGGLE, ON-OFF SPST	1	51	H-70925	KN 1/4-20 S/S	4
22	390-2899	CONTROLLER V4	1	52	H-71013	FW 1/4 ID X 5/8 OD SS	6
23	390-9615	FUSE, RESETTABLE, 15 AMP, 50V DC MAX	2	53	H-72398	PPH #8-32 X 1/2" S/S	4
24	4-284	FUSE, RESETTABLE, 6 AMP, 50V DC MAX	1	54	H-72418	PPH #8-32 X 1" S/S	4
25	4-960	FUSE, RESETTABLE, 5 AMP, 50V DC MAX	2	55	H-72534	PPH #10-32 X 3/4" S/S	2
26	5-296	DIODE BRIDGE	2	56	H-72914	PPH SMS #8 X 1/2"	10
27	650-2004	CENTRAL COMMAND DUST CURTAIN	1	57	H-73754	BHSCS 1/4 - 20 X 3/4" SS	4
28	650-2005	ACCESS COVER GASKET	1	58	H-74417	CB 1/4" - 20 X 5" SS	4
29	650-2830	SWITCH, TOGGLE, MOM/OFF/MOM (DPDT)	2	59	H-74418	CB 1/4" - 20 X 5/8" S/S	5
30	7-229D	PUSH BUTTON SWITCH	1				

Legacy Central Command

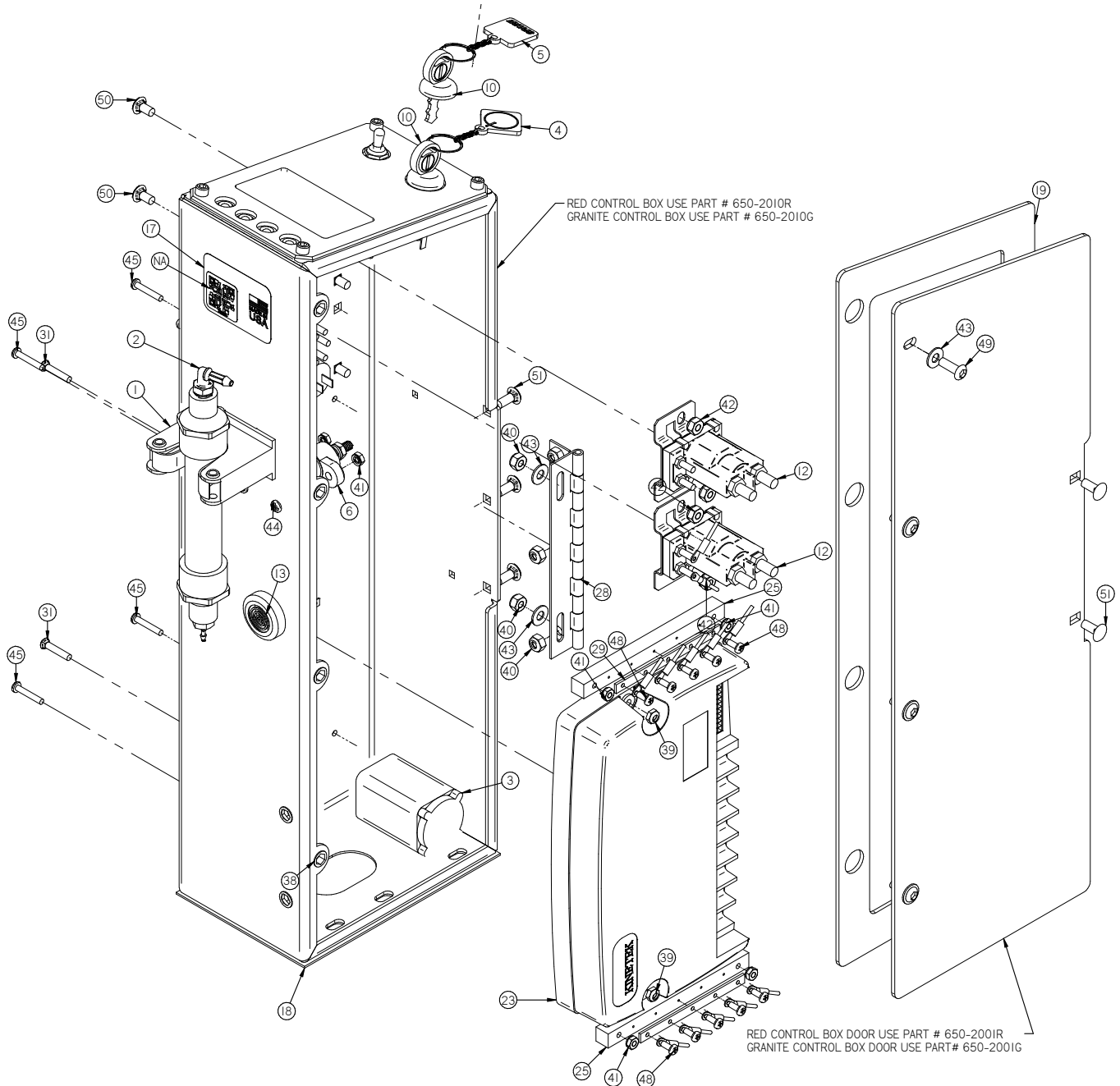


Item	Part No.	Part Description	Qty.	Item	Part No.	Part Description	Qty.
1	123-8860	HOSE BRACKET HOLDER	1	31	7-287	BUSS BAR UHMW	2
2	123-9134	AIR DRYER	1	32	7-837	FUSE RESETTABLE, 2 AMP	1
3	170-8500	HEATER	1	33	700-2590	DUAL USB PORTS	1
4	175-2352	POWER KEY FOB	1	34	8-180	HINGE, 6-7/8" S/S	1
5	175-2352	SPARE KEY FOB	1	35	E-5HBB	5 HOLE BUSS BAR	2
6	175-2352	MANAGER LOCK OUT KEY FOB	1	36	H-0172521	CB #10-32 X 1" SS	2
7	175-2352	ECON KEY FOB	1	37	H-11195	PROTECTIVE BOOT, TOGGLE SWITCH, (WHITE)	1
8	175-2700	NEG INSULATOR POST (BLACK)	1	38	H-11196	PROTECTIVE BOOT, TOGGLE SWITCH, (RED)	1
9	264-234	LOCKOUT KEY SWITCH	1	39	H-11197	PROTECTIVE BOOT, TOGGLE SWITCH, (YELLOW)	1
10	264-234A	MANGER LOCK OUT KEY	1	40	H-11198	PROTECTIVE BOOT, TOGGLE SWITCH, (GREEN)	1
11	290-2015	ONE TOUCH BUTTON	1	41	H-11199	PROTECTIVE BOOT, TOGGLE SWITCH, (BLUE)	1
12	290-2330	RED LIGHT	2	42	H-11200	PROTECTIVE BOOT, TOGGLE SWITCH, (BLACK)	2
13	290-234	KEY SWITCH (WITH KEY)	2	43	H-11201	PROTECTIVE BOOT, TOGGLE SWITCH, (GRAY)	1
14	290-2340	GREEN LIGHT	1	44	H-11202	PROTECTIVE BOOT, TOGGLE SWITCH, (ORANGE)	1
15	290-234A	KEY SET (REPLACE)	3	45	H-11203	PROTECTIVE BOOT, TOGGLE SWITCH, (PURPLE)	1
16	290-2350	YELLOW LIGHT	2	46	H-250HCN	HCN 1/4"-20	4
17	290-2891	LCD SCREEN	1	47	H-70856	NYLOK #8-32 SS	4
18	370-2331	RELAY, 36V, SMALL W/FLAT MTG PLATE	2	48	H-70858	NYLOK #10-32 SS	6
19	370-2831	SWITCH, TOGGLE, ON/OFF/ON (DPDT)	3	49	H-70860	NYLOK 1/4"- 20 SS	5
20	370-8210	SWITCH, TOGGLE, ON/ON (DPDT)	4	50	H-70922	KN #8-32	4
21	370-8920	TOGGLE, ON-OFF SPST	1	51	H-70925	KN 1/4"-20 S/S	4
22	390-2899	CONTROLLER V4	1	52	H-71013	FW 1/4 ID X 5/8 OD SS	6
23	390-9615	FUSE, RESETTABLE, 15 AMP, 50V DC MAX	2	53	H-72398	PPH #8-32 X 1/2" S/S	4
24	4-284	FUSE, RESETTABLE, 6 AMP, 50V DC MAX	1	54	H-72418	PPH #8-32 X 1" S/S	4
25	4-960	FUSE, RESETTABLE, 5 AMP, 50V DC MAX	2	55	H-72534	PPH #10-32 X 3/4" S/S	2
26	5-296	DIODE BRIDGE	2	56	H-72914	PPH SMS #8 X 1/2"	10
27	650-2004	CENTRAL COMMAND DUST CURTAIN	1	57	H-73754	BHSCS 1/4 - 20 X 3/4" SS	4
28	650-2005	ACCESS COVER GASKET	1	58	H-74417	CB 1/4"- 20 X .5" SS	4
29	650-2830	SWITCH, TOGGLE, MOM/OFF/MOM (DPDT)	2	59	H-74418	CB 1/4"- 20 X 5/8" S/S	5
30	7-229D	PUSH BUTTON SWITCH	1				



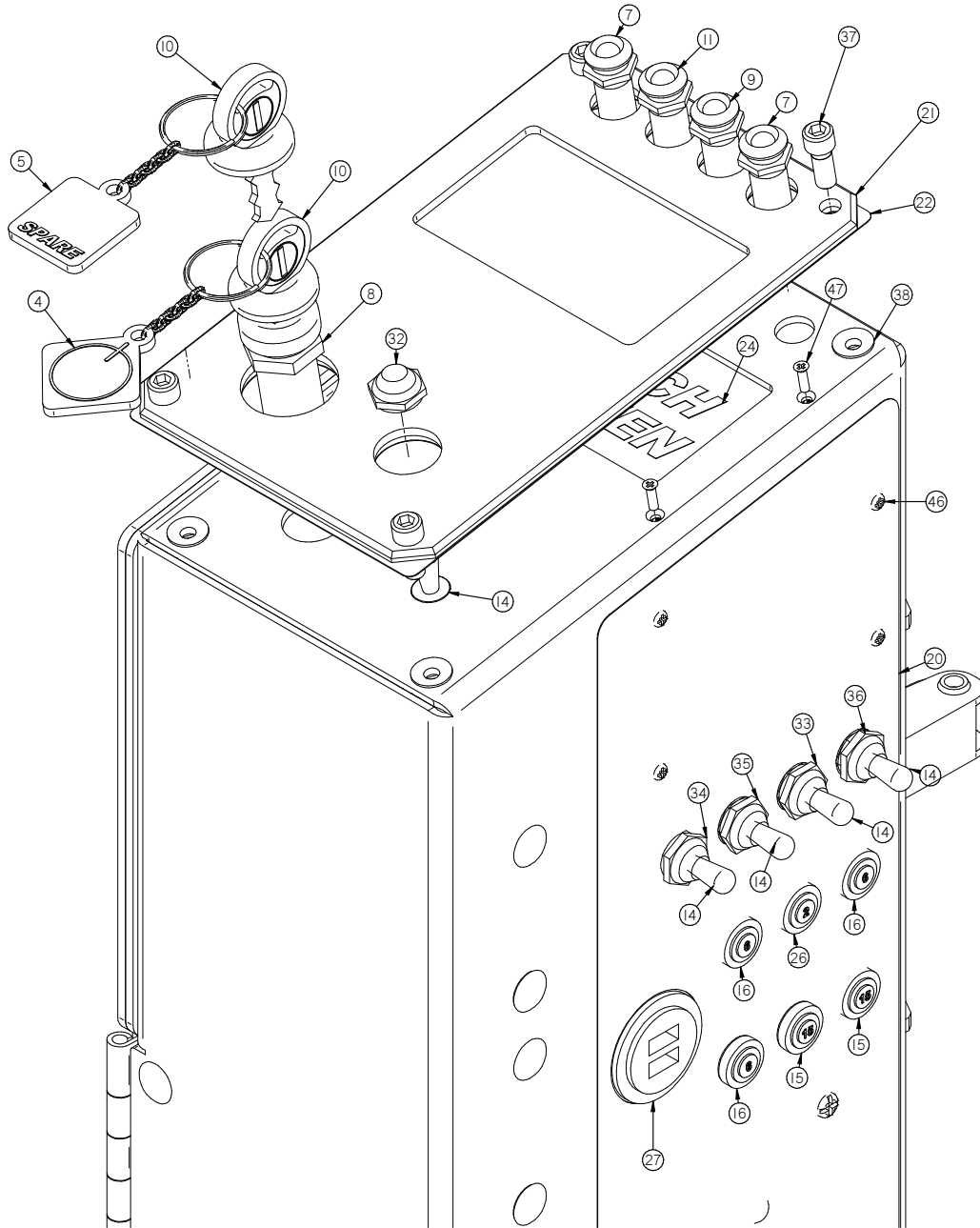


Item	Part No.	Part Description	Qty.	Item	Part No.	Part Description	Qty.
1	150-4480	HANDLE GRIP (BLUE)	1	34	8-180	HINGE, 6-7/8" S/S	1
2	175-2352	POWER KEY FOB	1	35	E-5H8B	5 HOLE BUSS BAR	2
3	175-2352	SPARE KEY FOB	1	36	H-00282	FW 1/4" NYLON	1
4	175-2700	NEG INSULATOR POST (BLACK)	2	37	H-0172518	CB #10-32 X 1/2" SS	2
5	190-4852	BRUSH PRESSURE GAUGE, 40 AMP	1	38	H-0172520	CB #10-32 X 3/4" SS	2
6	190-9609	FUSE, RESETTABLE, 40 AMP	2	39	H-11196	PROTECTIVE BOOT, TOGGLE SWITCH, (RED)	1
7	200-4855	36V BATTERY AND HOUR METER	1	40	H-11197	PROTECTIVE BOOT, TOGGLE SWITCH, (YELLOW)	1
8	260-2350A	SWITCH, ROCKER, DPDT, ON/ON AMBER	1	41	H-11200	PROTECTIVE BOOT, TOGGLE SWITCH, (BLACK)	1
9	260-2351A	SWITCH, ROCKER, DPDT, ON/ON GREEN	1	42	H-11202	PROTECTIVE BOOT, TOGGLE SWITCH, (ORANGE)	1
10	260-2352A	SWITCH, ROCKER, DPDT, ON/ON BLUE	1	43	H-1123202	SHCS 1/4"-20 X 5/8" BLACK OXIDE	4
11	290-2330	RED LIGHT	2	44	H-250HCN	HCN 1/4"-20	8
12	290-234	KEY SWITCH (WITH KEY)	1	45	H-33372	SHAFT COLLAR, 3/8" ID	3
13	290-2340	GREEN LIGHT	1	46	H-70856	NYLOK #8-32 SS	4
14	290-234A	KEY SET (REPLACE)	2	47	H-70858	NYLOK #10-32 SS	7
15	290-2350	YELLOW LIGHT	2	48	H-70860	NYLOK 1/4"- 20 SS	6
16	349-2899	IDRIVE 24V 140 AMP CONTROLLER	1	49	H-70922	KN #8-32	8
17	370-2331	RELAY, 36V, SMALL W/FLAT MTG PLATE	4	50	H-70925	KN 1/4-20 S/S	11
18	370-2831	SWITCH, TOGGLE, ON/OFF (ON DPDT)	1	51	H-71013	FW 1/4 ID X 5/8 OD SS	6
19	370-8210	SWITCH, TOGGLE, ON/ON (DPDT)	2	52	H-72398	PPH #8-32 X 1/2" S/S	6
20	370-8920	TOGGLE, ON-OFF SPST	1	53	H-72418	PPH #8-32 X 1" S/S	4
21	390-9615	FUSE, RESETTABLE, 15 AMP, 50V DC MAX	6	54	H-72419	PPH #8-32 X 1-1/4" S/S	3
22	4-284	FUSE, RESETTABLE, 6 AMP, 50V DC MAX	1	55	H-72515	PPH #10-32 X 1/2" S/S	3
23	4-960	FUSE, RESETTABLE, 5 AMP, 50V DC MAX	2	56	H-72914	PPH SMS #8 X 1/2"	10
24	5-234	SWITCH, ROCKER, DPDT, ON/ON	1	57	H-73753	BHSCS 1/4 - 20 X 5/8" SS	3
25	5-293	15 AMP RELAY	3	58	H-73754	BHSCS 1/4 - 20 X 3/4" SS	4
26	5-296	DIODE BRIDGE	2	59	H-74417	CB 1/4"- 20 X .5" SS	8
27	500-2003	VALVE LEVER	1	60	H-74418	CB 1/4"- 20 X 5/8" S/S	6
28	650-2004	CENTRAL COMMAND DUST CURTAIN	1	61	M-92066A009	SCKT HEAD NUT #8-32,par	2
29	650-2005	ACCESS COVER GASKET	1				
30	650-2022	CENTRAL COMMAND TOP	1				
31	7-287	BUSS BAR UHMW	2				
32	7-837	FUSE RESETTABLE 2 AMP	1				
33	700-2590	DUAL USB PORTS	1				

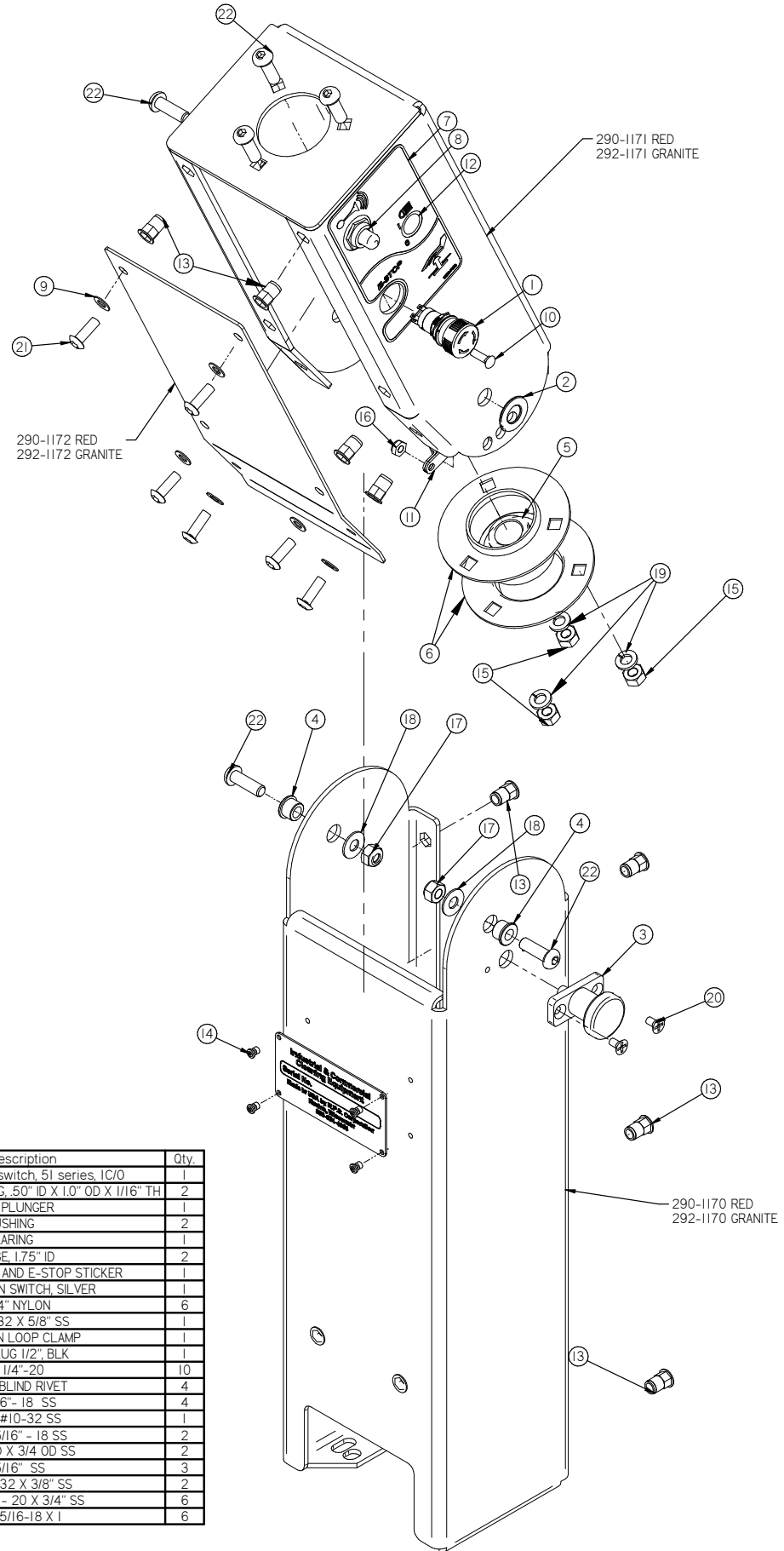


Item	Part No.	Part Description	Qty.	Item	Part No.	Part Description	Qty.
1	123-8860	HOSE BRACKET HOLDER	1	27	700-2590	DUAL USB PORTS	1
2	123-9134	AIR DRYER	1	28	8-180	HINGE, 6-7/8" S/S	1
3	170-8500	HEATER	1	29	E-5HBB	5 HOLE BUSS BAR	2
4	175-2352	POWER KEY FOB	1	30*	H-0172518	CB #10-32 X 1/2" SS	2
5	175-2352	SPARE KEY FOB	1	31	H-0172521	CB #10-32 X 1" SS	2
6	175-2700	NEG INSULATOR POST (BLACK)	1	32	H-11196	PROTECTIVE BOOT, TOGGLE SWITCH, (RED)	1
7	290-2330	RED LIGHT	2	33	H-11198	PROTECTIVE BOOT, TOGGLE SWITCH, (GREEN)	1
8	290-234	KEY SWITCH (WITH KEY)	1	34	H-11200	PROTECTIVE BOOT, TOGGLE SWITCH, (BLACK)	1
9	290-2340	GREEN LIGHT	1	35	H-11202	PROTECTIVE BOOT, TOGGLE SWITCH, (ORANGE)	1
10	290-234A	KEY SET (REPLACE)	2	36	H-11203	PROTECTIVE BOOT, TOGGLE SWITCH, (PURPLE)	1
11	290-2350	YELLOW LIGHT	1	37	H-1123202	SHCS 1/4-20 X 5/8 BLACK OXIDE	4
12	370-2331	RELAY, 36V, SMALL, W/FLAT MTG PLATE	2	38	H-250HCN	HCN 1/4"-20	10
13	370-2930	ALARM (91 dPa)	1	39	H-70858	NYLOK #10-32 SS	4
14	370-8210	SWITCH, TOGGLE, ON/ON (DPDT)	5	40	H-70860	NYLOK 1/4"-20 SS	5
15	390-9615	FUSE, RESETTABLE, 15 AMP, 50V DC MAX	2	41	H-70922	KN #8-32	6
16	4-284	FUSE, RESETTABLE, 6 AMP, 50V DC MAX	3	42	H-70925	KN 1/4-20 S/S	4
17	505-1500	METER STICKER	1	43	H-71013	FW 1/4 ID X 5/8 OD SS	6
18	650-2004	CENTRAL COMMAND DUST CURTAIN	1	44	H-72398	PPH #8-32 X 1/2" S/S	2
19	650-2005	ACCESS COVER GASKET	1	45	H-72418	PPH #8-32 X 1" S/S	4
20	650-2019	CONTROL PANEL STICKER, FRONT	1	46	H-72486	PPH #4-40 X 1/2" S/S	4
21	650-2023	TOUCH SCREEN CC TOP	1	47	H-72636	FHP #4-40 X .375 SS	4
22	650-2024	TOUCH SCREEN PROTECTOR	1	48	H-72914	PPH SMS #8 X 1/2"	10
23	650-2890	KINETECK TOUCH SCREEN CONTROLLER	1	49	H-73754	BHSCS 1/4 - 20 X 3/4" SS	4
24	650-2891	4 INCH TOUCH SCREEN	1	50	H-74417	CB 1/4"- 20 X .5" SS	4
25	7-287	BUSS BAR UHMW	2	51	H-74418	CB 1/4"- 20 X 5/8" S/S	5
26	7-837	FUSE RESETTABLE, 2 AMP	1				

Touch Central Command

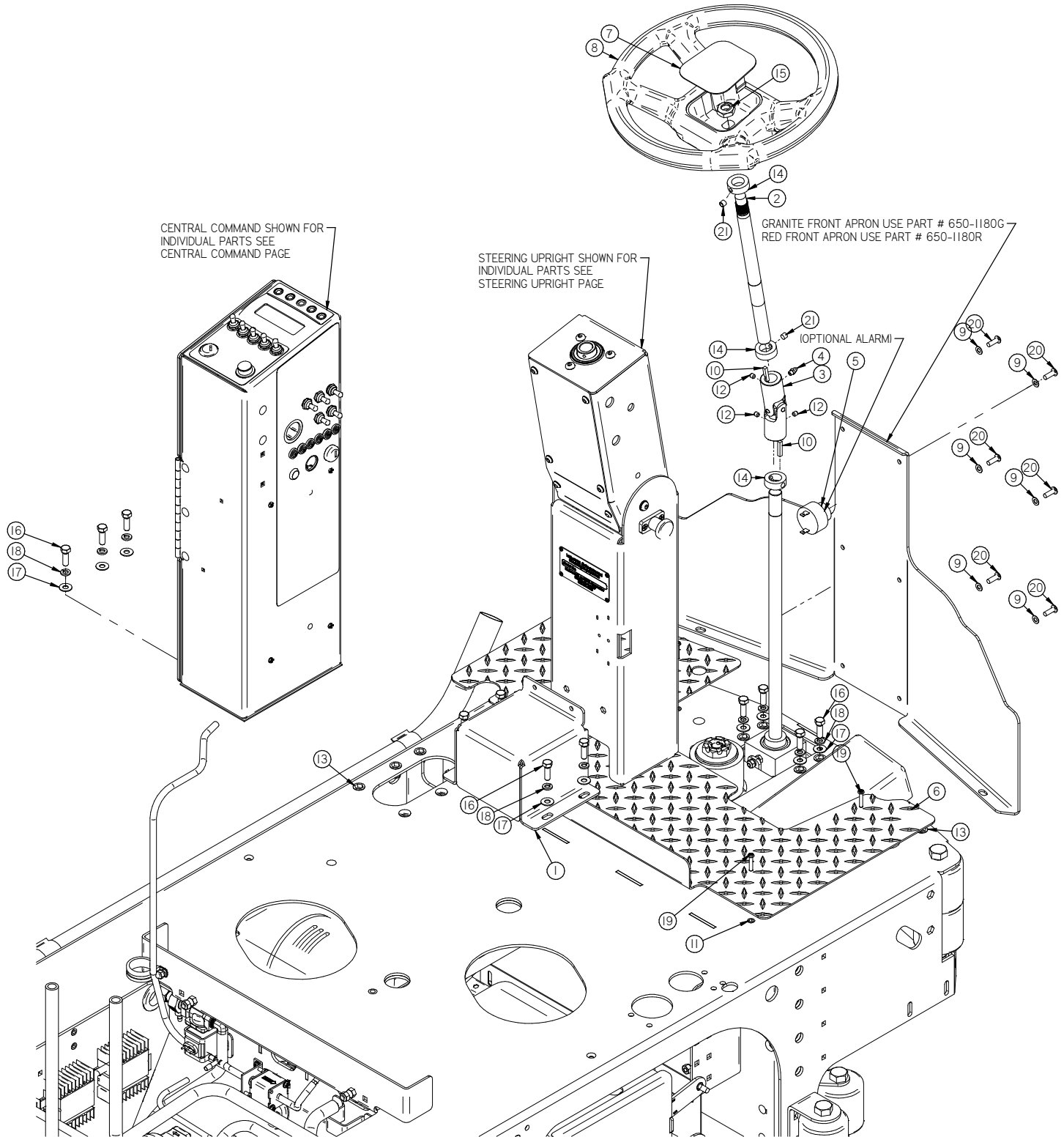


Item	Part No.	Part Description	Qty.	Item	Part No.	Part Description	Qty.
1	123-8860	HOSE BRACKET HOLDER	1	27	700-2590	DUAL USB PORTS	1
2	123-9134	AIR DRYER	1	28	8-180	HINGE, 6-7/8" S/S	1
3	170-8500	HEATER	1	29	E-5HBB	5 HOLE BUSS BAR	2
4	175-2352	POWER KEY FOB	1	30*	H-0172518	CB #10-32 X 1/2" SS	2
5	175-2352	SPARE KEY FOB	1	31	H-0172521	CB #10-32 X 1" SS	2
6	175-2700	NEG INSULATOR POST (BLACK)	1	32	H-11196	PROTECTIVE BOOT, TOGGLE SWITCH, (RED)	1
7	290-2330	RED LIGHT	2	33	H-11198	PROTECTIVE BOOT, TOGGLE SWITCH, (GREEN)	1
8	290-234	KEY SWITCH (WITH KEY)	1	34	H-11200	PROTECTIVE BOOT, TOGGLE SWITCH, (BLACK)	1
9	290-2340	GREEN LIGHT	1	35	H-11202	PROTECTIVE BOOT, TOGGLE SWITCH, (ORANGE)	1
10	290-234A	KEY SET (REPLACE)	2	36	H-11203	PROTECTIVE BOOT, TOGGLE SWITCH, (PURPLE)	1
11	290-2350	YELLOW LIGHT	1	37	H-1123202	SHCS 1/4-20 X 5/8 BLACK OXIDE	4
12	370-2331	RELAY, 36V, SMALL, W/FLAT MTG PLATE	2	38	H-250HCN	HCN 1/4"-20	10
13	370-2930	ALARM (91 dPa)	1	39	H-70858	NYLOK #10-32 SS	4
14	370-8210	SWITCH, TOGGLE, ON/ON (DPDT)	5	40	H-70860	NYLOK 1/4"- 20 SS	5
15	390-9615	FUSE, RESETTABLE, 15 AMP, 50V DC MAX	2	41	H-70922	KN #8-32	6
16	4-284	FUSE, RESETTABLE, 6 AMP, 50V DC MAX	3	42	H-70925	KN 1/4-20 S/S	4
17	505-1500	METER STICKER	1	43	H-71013	FW 1/4 ID X 5/8 OD SS	6
18	650-2004	CENTRAL COMMAND DUST CURTAIN	1	44	H-72398	PPH #8-32 X 1/2" S/S	2
19	650-2005	ACCESS COVER GASKET	1	45	H-72418	PPH #8-32 X 1" S/S	4
20	650-2019	CONTROL PANEL STICKER, FRONT	1	46	H-72486	PPH #4-40 X 1/2" S/S	4
21	650-2023	TOUCH SCREEN CC TOP	1	47	H-72636	FHP #4-40 X .375 SS	4
22	650-2024	TOUCH SCREEN PROTECTOR	1	48	H-72914	PPH SMS #8 X 1/2"	10
23	650-2890	KINETECK TOUCH SCREEN CONTROLLER	1	49	H-73754	BHSCS 1/4 - 20 X 3/4" SS	4
24	650-2891	4 INCH TOUCH SCREEN	1	50	H-74417	CB 1/4"- 20 X 5" SS	4
25	7-287	BUSS BAR UHMW	2	51	H-74418	CB 1/4"- 20 X 5/8" S/S	5
26	7-837	FUSE RESETTABLE 2 AMP	1				

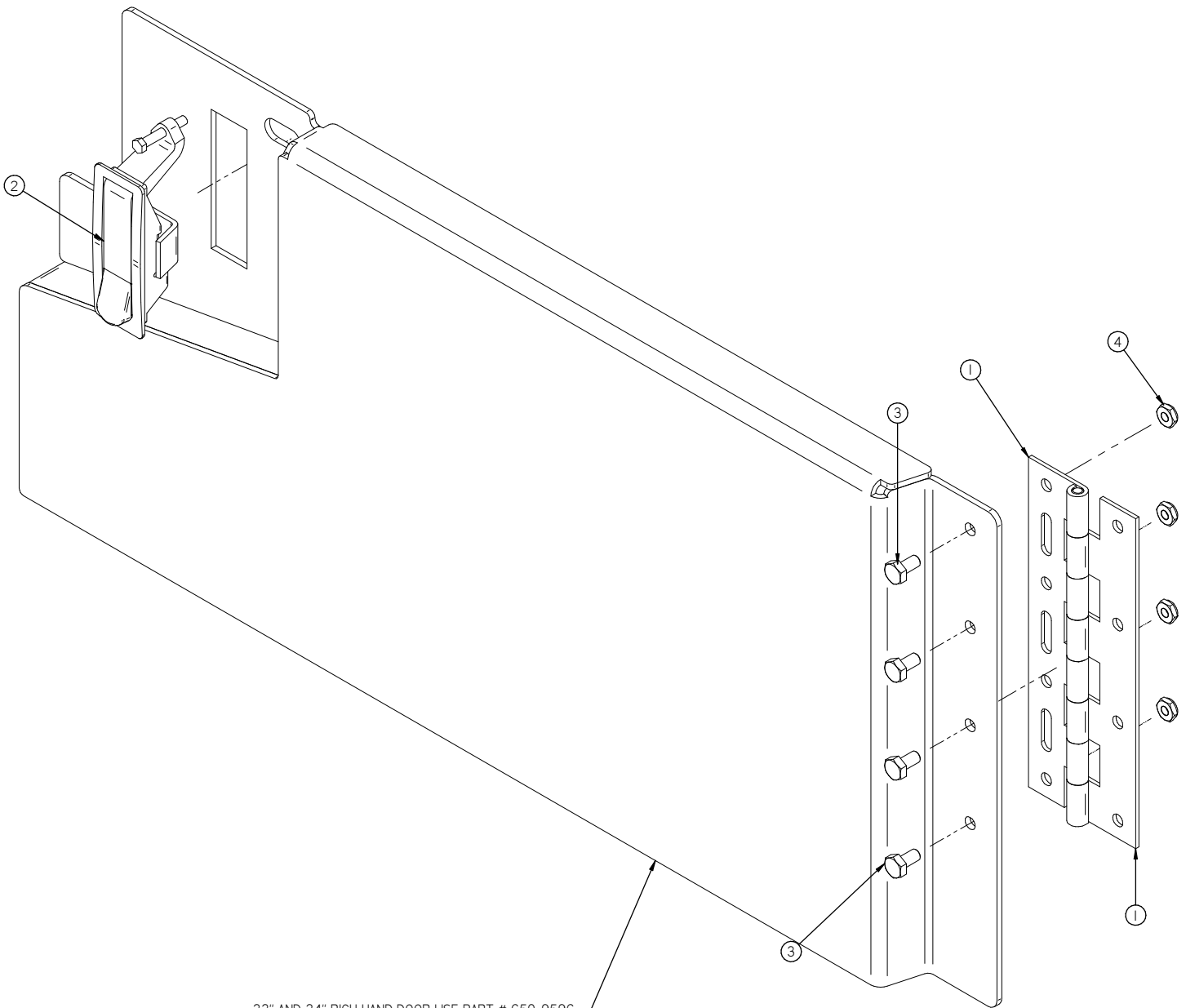


Item	Part No.	Part Description	Qty.
1	175-0300	Emergency stop switch, 51 series, IC/O	1
2	290-1247	BRONZE THRUST BEARING, .50" ID X 1.0" OD X 1/16" TH	2
3	290-7050	INDEX PLUNGER	1
4	370-1245	BUSHING	2
5	4-352	BEARING	1
6	4-364A	FLANGE, 1.75" ID	2
7	600-1503	HORN HEAD LIGHT AND E-STOP STICKER	1
8	8-294B	PUSH BUTTON SWITCH, SILVER	1
9	H-00282	FW 1/4" NYLON	6
10	H-0172519	CB #10-32 X 5/8" SS	1
11	H-02239	3/8" NYLON LOOP CLAMP	1
12	H-0708887	HOME PLUG 1/2", BLK	1
13	H-250HCN	HCN 1/4"-20	10
14	H-41007	AB4-3A BLIND RIVET	4
15	H-70711	HN 5/16" - 18 SS	4
16	H-70858	NYLOK #10-32 SS	1
17	H-70861	NYLOK 5/16" - 18 SS	2
18	H-71015	FW 5/16 ID X 3/4 OD SS	2
19	H-71065	LW 5/16" SS	3
20	H-72681	FHP #10-32 X 3/8" SS	2
21	H-73754	BHSCS 1/4 - 20 X 3/4" SS	6
22	H-73780	BHSCS 5/16-18 X 1	6

Attaching Steering Column & Central Command



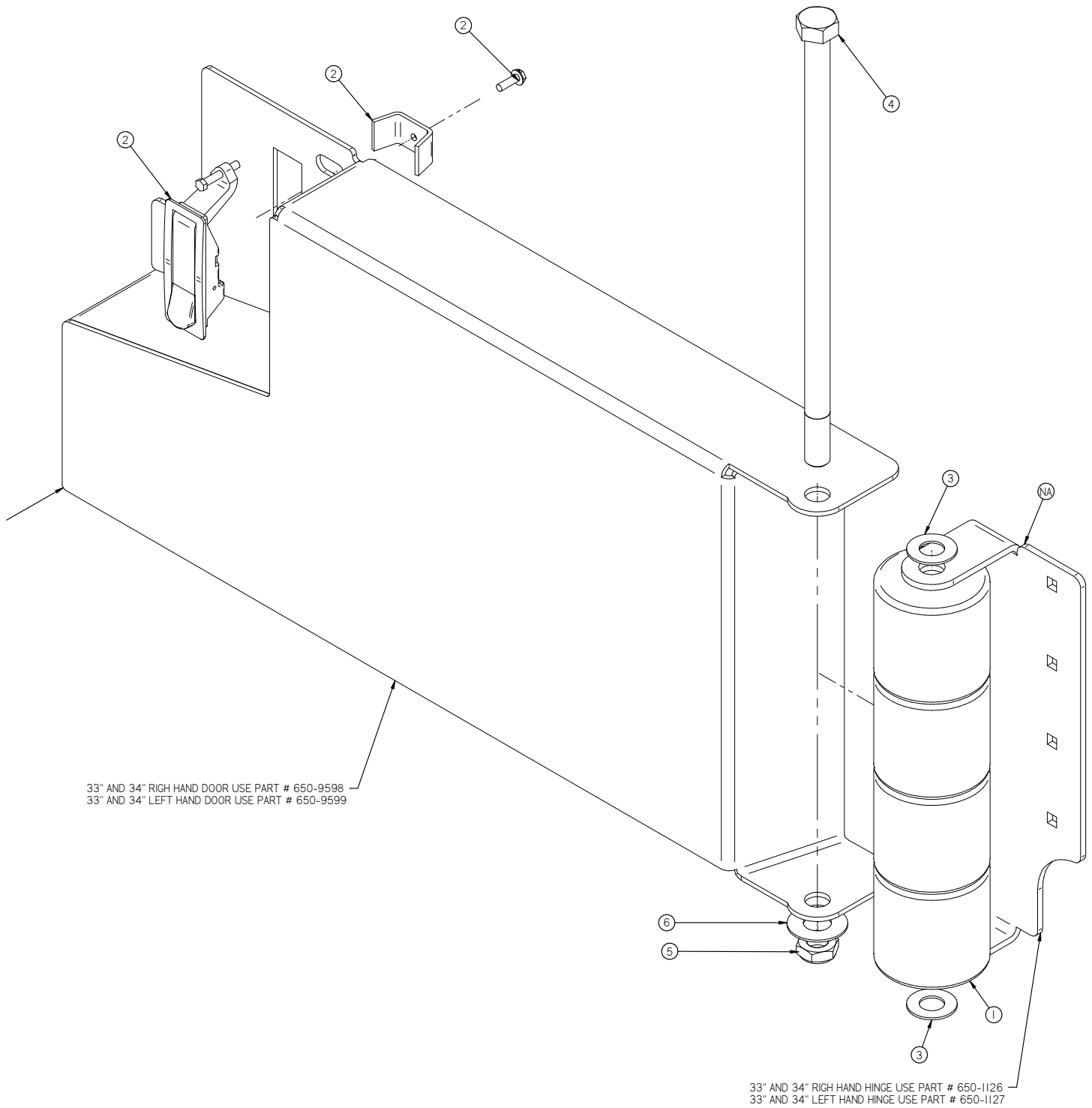
Item	Part No.	Part Description	Qty.	Item	Part No.	Part Description	Qty.
1	250-1173	DRIVE COVER	1	12	H-25379	SETSCREW, KCP, 1/4"-20 X 1/4"	3
2	290-7090	STEERING SHAFT, UPPER	1	13	H-312HCN	HCN 5/16"-18	14
3	290-7110	U-JOINT	1	14	H-33376	SHAFT COLLAR, 3/4" ID X 9/16 LG	3
4	290-7111	1/4-28 ZERK FITTING	1	15	H-37038	JNYL 5/8"- 11	1
5	370-2930	ALARM (91 dPal)	1	16	H-70055	HCS 5/16"- 18 X 1" SS	11
6	650-1614	GTR XL NON SKID FLOOR PLATE	1	17	H-71015	FW 5/16 ID X 3/4 OD SS	11
7	8-701A	STEERING COVER	1	18	H-71065	LW 5/16" SS	11
8	8-703	STEERING WHEEL	1	19	H-72536	PPH #10-32 X 1" S/S	6
9	H-00282	FW 1/4" NYLON	6	20	H-73754	BHSCS 1/4 - 20 X 3/4" SS	6
10	H-01125	3/16" X 1" KEY	2	21	H-81983	5/16" X 1/4" KURL SET SCREW	3
11	H-1032HCN	HCN #10-32	6				



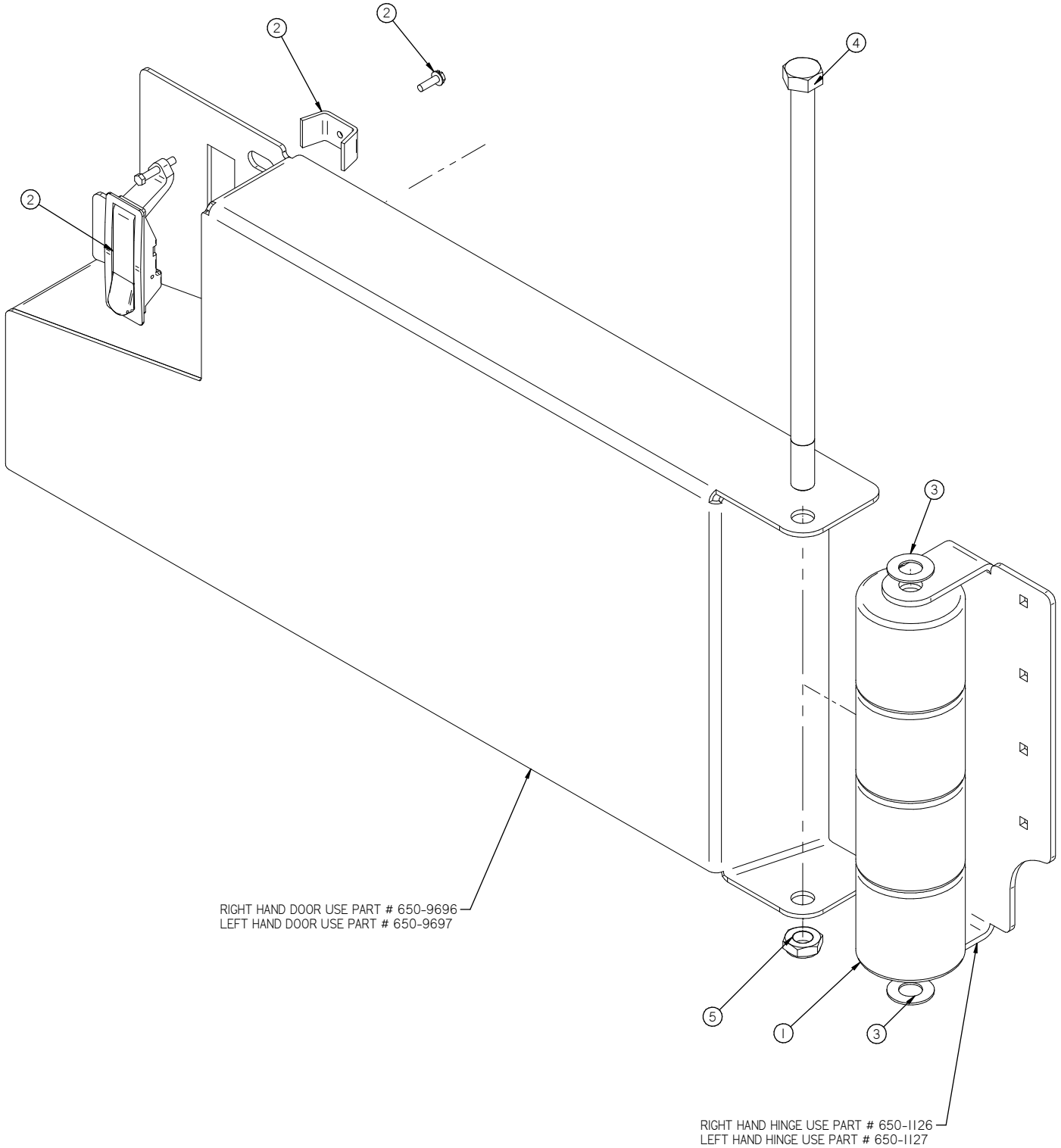
33" AND 34" RIGHT HAND DOOR USE PART # 650-9596
 33" AND 34" LEFT HAND DOOR USE PART # 650-9597

Item	Part No.	Part Description	Qty.
1	5-122	8" SS HINGE	1
2	5-130	DOOR LATCH	1
3	H-70001	HCS 1/4"-20 X 1/2 SS"	4
4	H-NJ04C	JNYL 1/4" - 20 SS	4

34" Disk & 33" Cylindrical Doors

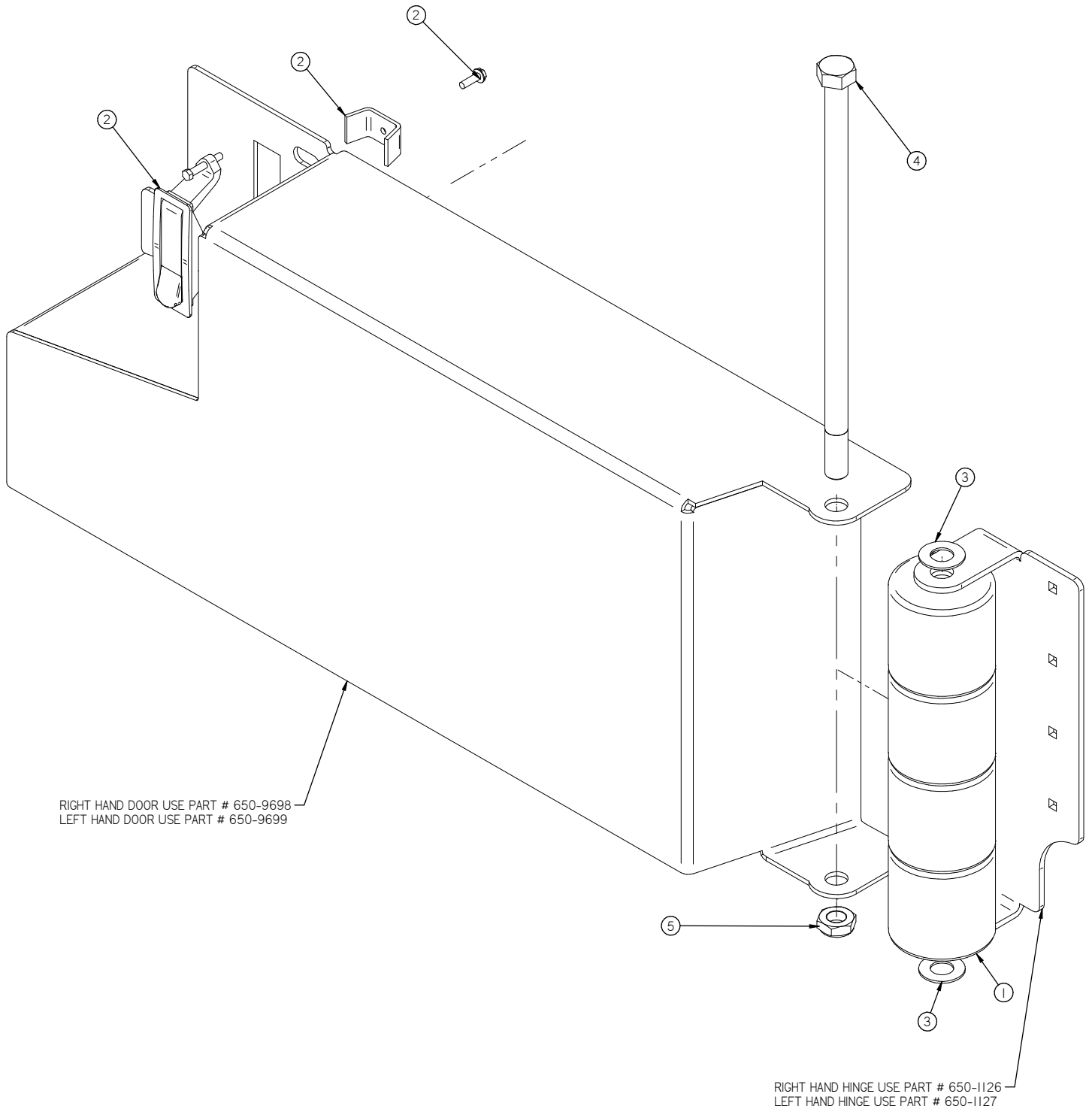


Item	Part No.	Part Description	Qty.
1	2I-1127	ROLLER	4
2	5-130	DOOR LATCH	1
3	H-00279	FW 5/8" PVC	2
4	H-13337	HB 5/8" - 11 X 13"	1
5	H-37038	JNYL 5/8" - 11	1
6	H-71025	FW 5/8 ID X 1-1/2 OD SS	1



Item	Part No.	Part Description	Qty.
1	21-1127	ROLLER	4
2	5-130	DOOR LATCH	1
3	H-00279	FW 5/8" PVC	2
4	H-13337	HB 5/8"- 11 X 13"	1
5	H-37038	JNYL 5/8"- 11	1

37" Cylindrical Doors



Item	Part No.	Part Description	Qty.
1	21-1127	ROLLER	4
2	5-130	DOOR LATCH	1
3	H-00279	FW 5/8" PVC	2
4	H-13337	HB 5/8"- 11 X 13"	1
5	H-37038	JNYL 5/8"- 11	1

SQUEEGEE BLADE KITS & COMPLETE SQUEEGEE ASSEMBLIES:

SQUEEGEE SIZE	30" DISK DECKS	34" DISK DECKS	36" DISK DECKS	29" CYL. DECKS	33" CYL. DECKS	37" CYL. DECKS
33" Squeegee	Optional	Optional	Optional	Optional	Optional	Optional
37" Squeegee	Standard	Optional	Optional	Standard	Optional	Optional
41" Squeegee	Optional	Standard	Optional	Optional	Standard	Optional
45" Squeegee	Optional	Optional	Standard	Optional	Optional	Standard

SQUEEGEE SIZE	LINATEX BLADE KIT	URETHANE BLADE KIT	COMPLETE SQUEEGEE ASSEMBLIES
33" Squeegee	633-770L	633-770U	633-9180
37" Squeegee	637-770L	637-770U	637-9180
41" Squeegee	641-770L	641-770U	641-9180
45" Squeegee	645-770L	645-770U	645-9180

SQUEEGEE MATERIAL:	USED FOR:
LINATEX	Provides best wear and tear resistance. Not designed for use with harsh chemicals.
URETHANE	Provides best resistance when dealing with harsh chemicals, oils, fuels, etc.

NOTICE

Squeegee blade kits include (1) Rear Blade & (1) Front Blade.

NOTICE

Squeegee Assemblies (complete) listed above all come with Linatex blades.

NOTICE

Size is indicated by decal on top of the painted steel squeegee body on all squeegee's.

Common Wear Parts

ROUND DISK BRUSHES:

NOTICE

The ## in Disk Column Denotes Desk Pad Size: 15" or 17"

BRUSHES	DISK	LEVEL
Super Grit	##-382SS	Very High
Tough Grit	##-382S	High
Midi Grit	##-382C	Medium
Light Grit	##-382PS	Moderate
Poly	##-382P	Light
Nylon	##-382N	Light
Tampico	##-382T	Light
Pad Driver	##-382D	
Diamond Driver	##-382DD	

ROUND DISK PADS:

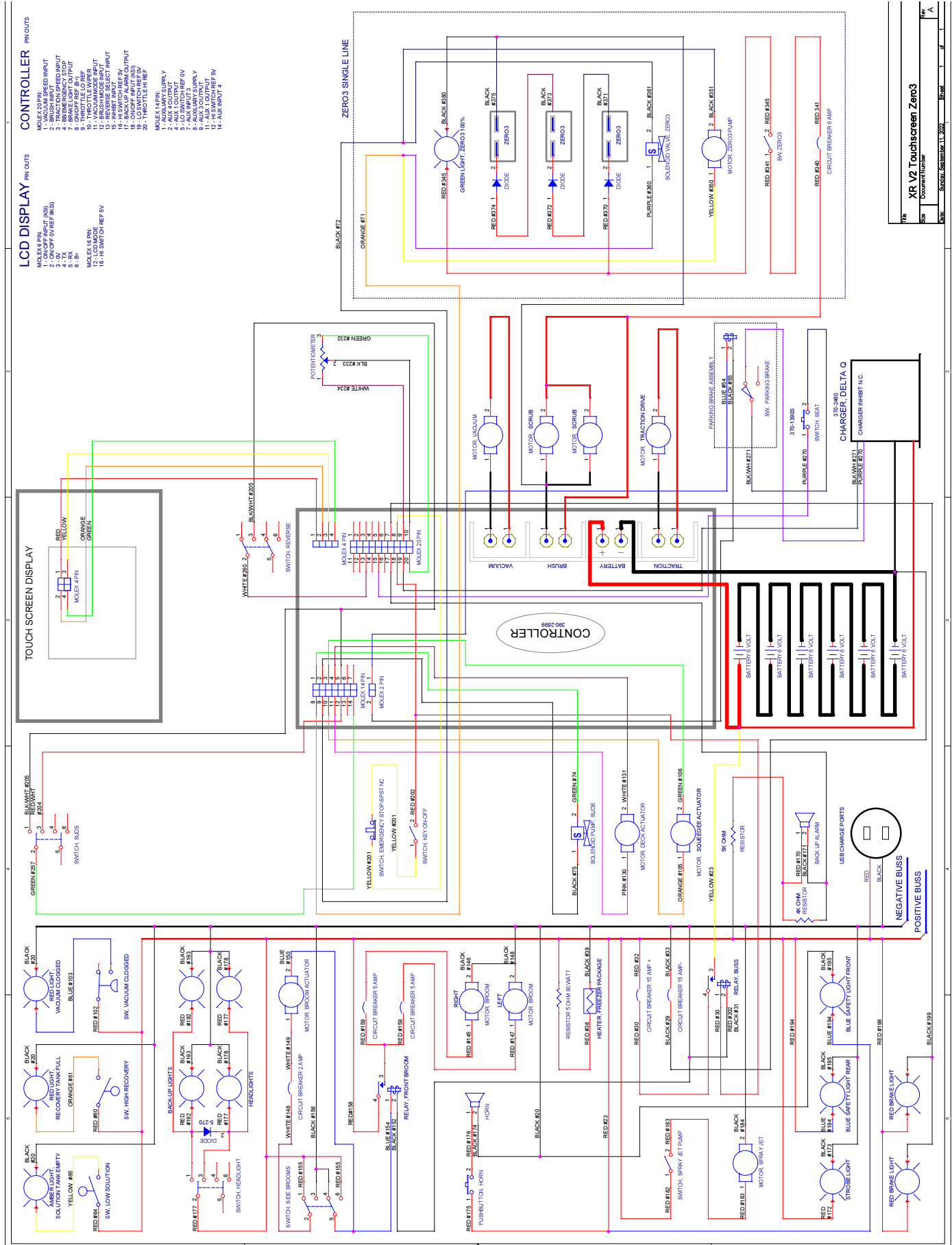
NOTICE

The ## in Disk Column Denotes Desk Pad Size: 15" or 17"

DISK PADS	DISK	LEVEL	COLOR
Super Black	##-422BB	Very High	Black
Black	##-422B	High	Black
Brown	##-422BR	High	Brown
Green	##-422G	Medium	Green
Blue	##-422BL	Moderate	Blue
Red	##-422R	Moderate	Red
White	##-422W	Light	White

CYLINDRICAL BRUSHES:

BRUSHES	MODEL 29" CYLINDRICAL	MODEL 33" CYLINDRICAL	MODEL 37" CYLINDRICAL	LEVEL
Tough Grit	276-697S	316-697S	356-697S	High
Midi Grit	276-697C	316-697C	356-697C	Medium
Light Grit	276-697PS	316-697PS	356-697PS	Moderate
Fine Grit	276-697F	316-697F	356-697F	Light
Nylon	276-697N	316-697N	356-697N	Light
Tampico	276-697T	316-697T	356-697T	Light

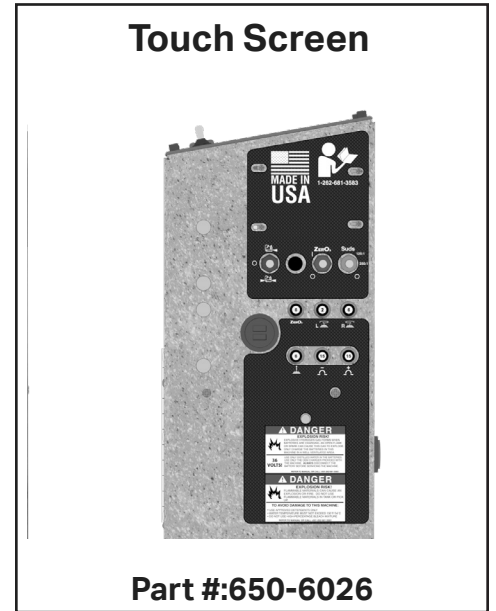


Rev	By	Date	Desc
1
2
3
4
5
6
7
8
9
10
11
12
13
14
15
16
17
18
19
20
21
22
23
24
25
26
27
28
29
30

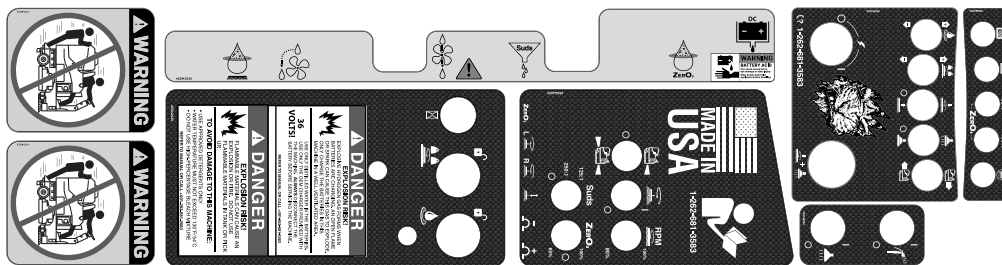
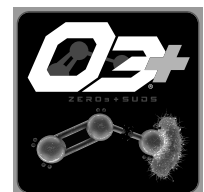
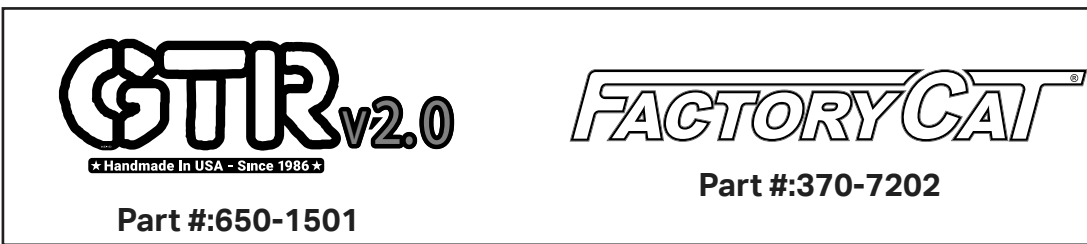
XR V2 Touchscreen Zero3
 Document Number
 Rev A

Decals

Central Command Decals



Models / Options / Squeegee Size Decals



BLANK
THIS PAGE WAS INTENTIONALLY LEFT BLANK

FACTORYCAT[®]

1711 South Street
Racine, WI 53404
www.factorycat.com
262-681-4060